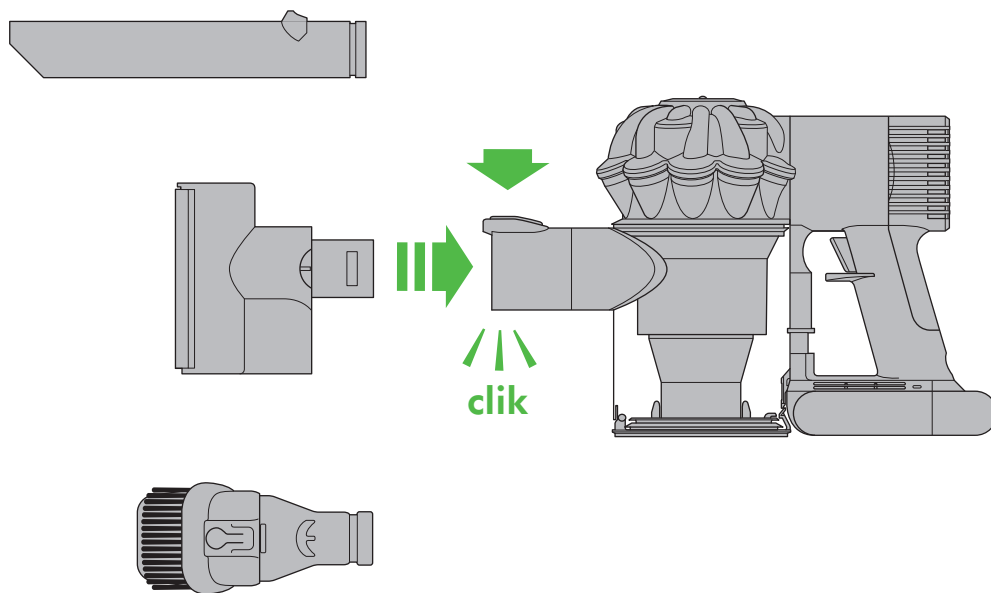


OPERATING MANUAL INSTRUCCIONES DE SEGURIDAD

ASSEMBLY ARMADO



1
month
mes

WASH FILTER
Wash filter with cold water at least every month.

LAVE EL FILTRO
Lave el filtro con agua fría al menos cada mes.

REGISTER TODAY

3 easy ways to register your 2 year limited warranty.

REGISTRE HOY

3 maneras fáciles de registrar su garantía limitada de 2 años.



Charging.
Recarga.

Not charging – too cold/too hot.
No carga – demasiado frío/demasiado caliente.

Fully charged.
Totalmente cargada.

Not charging (contact Dyson Helpline).
No carga (Comuníquese con la Línea Directa de Asistencia al Cliente).

IMPORTANT SAFETY INSTRUCTIONS

BEFORE USING THIS MACHINE READ ALL INSTRUCTIONS AND CAUTIONARY MARKINGS IN THIS MANUAL AND ON THE MACHINE

When using an electrical appliance, basic precautions should always be followed, including the following:

WARNING

These warnings apply to the machine, and also where applicable, to all tools, accessories, chargers or mains adaptors.

TO REDUCE THE RISK OF FIRE, ELECTRIC SHOCK, OR INJURY:

1. This Dyson machine is not intended for use by persons (including children) with reduced physical, sensory or reasoning capabilities, or lack of experience and knowledge, unless they have been given supervision or instruction concerning use of the machine by a person responsible for their safety.
2. Do not allow to be used as a toy. Close attention is necessary when used by or near children. Children should be supervised to ensure that they do not play with the machine.
3. Use only as described in this Dyson Operating Manual. Do not carry out any maintenance other than that shown in this manual, or advised by the Dyson Helpline.
4. Suitable for dry locations ONLY. Do not use outdoors or on wet surfaces.
5. Do not handle any part of the plug or machine with wet hands.
6. Do not use with a damaged cord or plug. If the supply cord is damaged it must be replaced by Dyson, its service agent or similarly qualified persons in order to avoid a hazard.
7. If the machine is not working as it should, has received a sharp blow, has been dropped, damaged, left outdoors, or dropped into water, do not use and contact the Dyson Helpline.
8. Contact the Dyson Helpline when service or repair is required. Do not disassemble the machine as incorrect reassembly may result in an electric shock or fire.
9. Do not stretch the cord or place the cord under strain. Keep the cord away from heated surfaces. Do not close a door on the cord, or pull the cord around sharp edges or corners. Arrange the cord away from traffic areas and where it will not be stepped on or tripped over. Do not run over the cord.
10. Do not unplug by pulling on the cord. To unplug, grasp the plug, not the cord. The use of an extension cord is not recommended.
11. Do not use to pick up water.
12. Do not use to pick up flammable or combustible liquids, such as gasoline, or use in areas where they or their vapors may be present.
13. Do not pick up anything that is burning or smoking, such as cigarettes, matches, or hot ashes.
14. Keep hair, loose clothing, fingers, and all parts of the body away from openings and moving parts. Do not point the hose, wand or tools at your eyes or ears or put them in your mouth.
15. Do not put any object into openings. Do not use with any opening blocked; keep free of dust, lint, hair, and anything that may reduce airflow.
16. Use only Dyson recommended accessories and replacement parts.
17. Do not use without the clear bin and filter(s) in place.
18. Unplug from the outlet when not in use for extended periods and before maintenance or servicing.
19. Use extra care when cleaning on stairs.
20. Do not install, charge or use this machine outdoors, in a bathroom or within 10 feet (3 meters) of a pool. Do not use on wet surfaces and do not expose to moisture, rain or snow.
21. Use only Dyson chargers for charging this Dyson machine. Use only Dyson batteries: other types of batteries may burst, causing injury to persons and damage.
22. Do not incinerate this machine even if it is severely damaged. The battery may explode in a fire.
23. Always turn 'OFF' the machine before connecting or disconnecting the motorized brush bar.

24. FIRE WARNING – Do not apply any fragrance or scented product to the filter(s) of this machine. The chemicals in such products are known to be flammable and can cause the machine to catch fire.
25. WARNING: This product contains chemicals known to the State of California to cause cancer, birth defects or other reproductive harm. Wash hands after handling.

READ AND SAVE THESE INSTRUCTIONS

THIS DYSON MACHINE IS INTENDED FOR HOUSEHOLD USE ONLY



Do not use near open flames.



Do not store or charge near heat sources.



Do not pick up water or liquids.



Do not pick up burning objects.



Do not put hands near the brush bar when the machine is in use.

INSTRUCCIONES DE SEGURIDAD IMPORTANTES

ANTES DE UTILIZAR ESTA MÁQUINA, LEA TODAS LAS INSTRUCCIONES Y LA INDICACIONES DE PRECAUCIÓN QUE VIENEN TANTO EN ESTE MANUAL COMO EN LA MÁQUINA

Cuando se usa un aparato eléctrico, deben seguirse las precauciones básicas para reducir riesgos de incendio, descarga eléctrica y lesiones personales, que incluyen lo siguiente:

PELIGRO

Estas advertencias se aplican a la máquina, a todas las herramientas y accesorios, así como a lo que corresponda a cualquier cargador o adaptador de alimentación.

PARA DISMINUIR EL RIESGO DE PROVOCAR UN INCENDIO, RECIBIR UNA DESCARGA ELÉCTRICA O LESIONES:

1. Este aparato Dyson no está destinada para el uso por parte de personas (incluso niños) con capacidades físicas, cognitivas o mentales reducidas, o con falta de experiencia y conocimiento, salvo que hubieran recibido supervisión o instrucciones acerca del uso del aparato por parte de una persona responsable por su seguridad.
2. No permita que se utilice como un juguete. Es necesaria la atención de un adulto cuando es utilizada por o cerca a un niño. Los niños deben ser supervisados para asegurarse de que no jueguen con la máquina.
3. Utilícela solamente como se describe en este manual de funcionamiento Dyson. No realice ningún otro mantenimiento que no sea el mostrado en este manual, o el recomendado por la línea de ayuda de servicio al cliente Dyson.
4. Adecuada SOLAMENTE para lugares secos. No utilice para aspirar agua u otros líquidos.
5. No manipule el enchufe o de la máquina con las manos mojadas.
6. No lo use si el cable o el enchufe están dañados. Si se ha dañado el cable de corriente, deberá ser reemplazado por Dyson, uno de sus representantes de servicio u otra persona igualmente capacitada a fin de evitar un peligro.
7. Si la máquina no funciona como es debido, ha recibido un golpe fuerte o se ha caído, dañado, dejado a la intemperie, o sumergido en agua, no lo utilice y comuníquese con la línea de ayuda de servicio al cliente Dyson.
8. Comuníquese con la línea de ayuda de servicio al cliente Dyson cuando se requiera mantenimiento o reparación. No desmonte la máquina, ya que un montaje incorrecto puede provocar descargas eléctricas o incendios.
9. No estire el cable ni permita que ejerza presión. Manténgalo alejado de superficies calientes. No apriete el cable cuando cierre la puerta ni tire del cable en bordes o puntas filosas. Acomode el cable de tal modo que quede alejado de áreas transitadas y lugares donde se lo pise o cause tropezos. No pise el cable con la máquina.
10. No desconecte la máquina tirando del cable. Para desconectar, tome el enchufe y no el cable. No es recomendable utilizar una extensión de cable.
11. No utilice para aspirar agua u otros líquidos.
12. No aspire líquidos inflamables o combustibles como gasolina, ni la utilice en áreas dónde pueda haber este tipo de líquido.
13. No aspire nada que se esté quemando o que emita humo, como cigarrillos, fósforos o cenizas calientes.
14. Mantenga el cabello, ropa suelta, los dedos y cualquier otra parte del cuerpo alejados de las aberturas y de las partes móviles. No apunte con la manguera, la empuñadura o los accesorios a los ojos u orejas, ni se los meta en la boca.
15. No obstruya las aberturas de la máquina con ningún objeto. No utilice la máquina si tiene alguna abertura obstruida; manténgalas libres de polvo, pelusas, cabellos o cualquier otra cosa que pueda reducir la circulación del aire.
16. Utilice solamente los accesorios y las piezas de repuesto recomendadas por Dyson.

17. No utilice si el compartimiento cubo transparente y el filtro/los filtros no están colocados en su lugar.
18. Desconéctelo del tomacorriente si no lo va a utilizar durante mucho tiempo y antes de realizar mantenimiento.
19. Tenga mucho cuidado cuando utilice la máquina sobre una escalera.
20. No instale, recargue o utilice esta máquina en exteriores, en un baño o a una distancia menor a 10 pies (3 metros) de una piscina. No lo utilice sobre superficies mojadas, ni lo exponga a humedad, lluvia o nieve.
21. Utilice sólo cargadores Dyson para recargar esta máquina Dyson. Utilice sólo baterías Dyson: otros tipos de baterías pueden explotar y causar lesiones personales y daños materiales.
22. No incinere esta máquina, aunque esté muy dañado. El fuego podría hacer explotar la batería.
23. Siempre apague el aparato antes de conectar o desconectar el cepillo motorizado.
24. ADVERTENCIA DE INCENDIO: no aplique ninguna fragancia o producto perfumado a los filtros de la máquina. Se sabe que los químicos en estos productos son inflamables y pueden hacer que la máquina se incendie.
25. ADVERTENCIA: Este producto contiene sustancias químicas reconocidas por el estado de California como causantes de cáncer, anomalías congénitas y otros daños reproductivos. Lavarse las manos después de manipular el producto.

LEA Y GUARDE ESTAS INSTRUCCIONES

ESTA MÁQUINA DYSON ES PARA USO DOMÉSTICO SOLAMENTE



No guarde la máquina cerca de fuentes de calor.



No guarde o recargue la máquina cerca de fuentes de calor.



No aspire agua o líquidos.





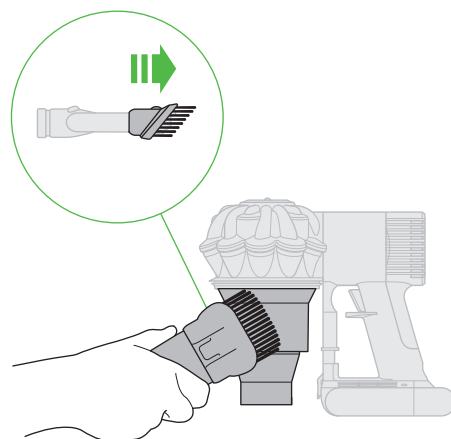
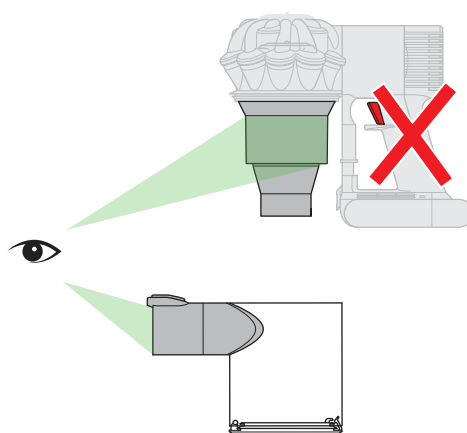
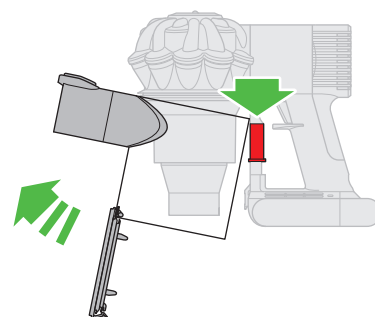
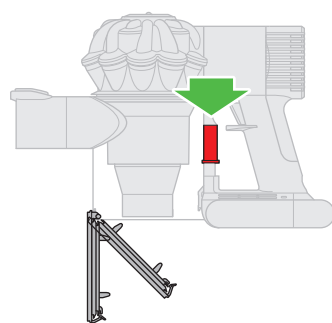
No aspire objetos que se estén quemando.



No coloque las manos cerca del cepillo cuando el aparato esté en funcionamiento.

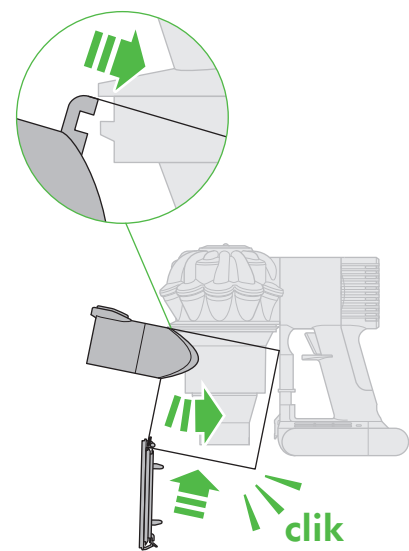
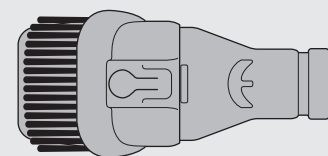
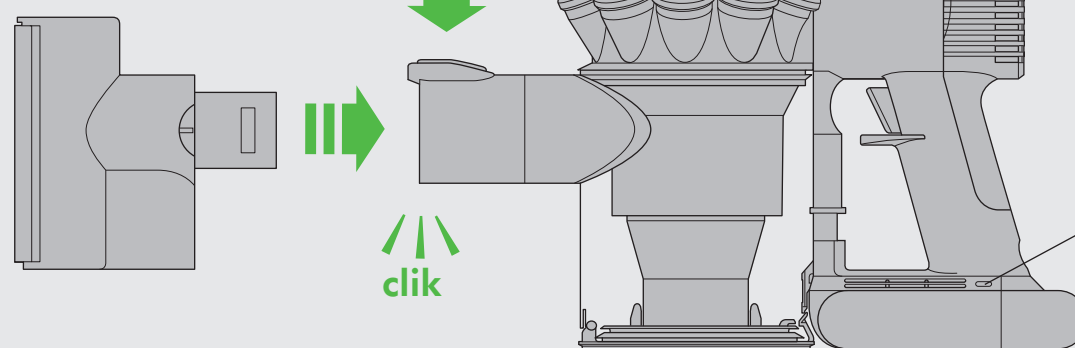
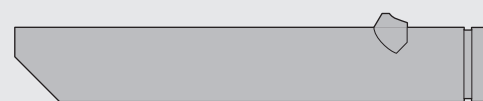
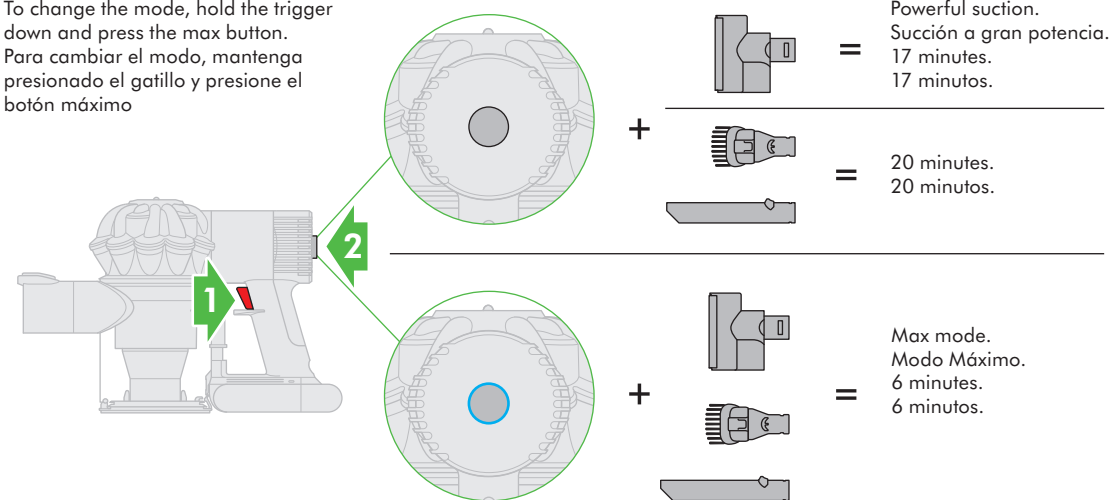
Looking for blockages
Cómo buscar obstrucciones

  If you hear the motor pulsing, there is a blockage. Please look for blockages in the following places. Si oye que el motor pulsa, significa que hay una obstrucción en el producto. Busque obstrucciones en los siguientes lugares:

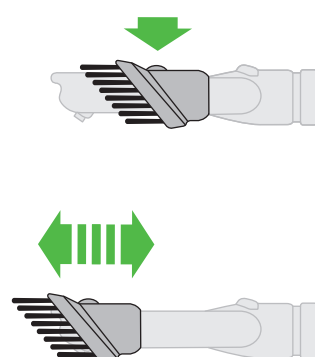


Power mode and run time
Modo de potencia y tiempo de funcionamiento

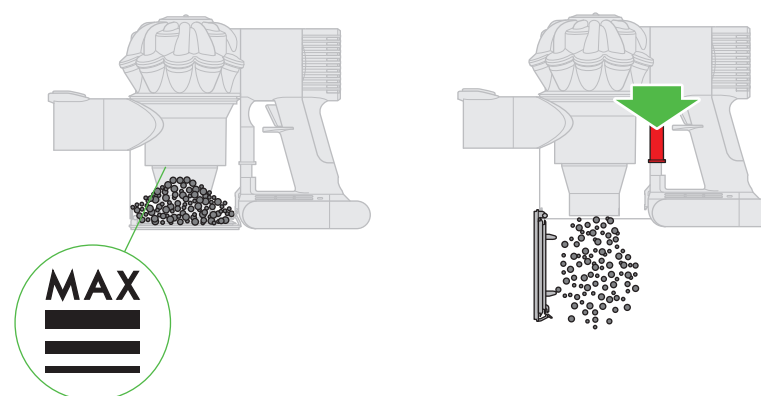
To change the mode, hold the trigger down and press the max button. Para cambiar el modo, mantenga presionado el gatillo y presione el botón máximo



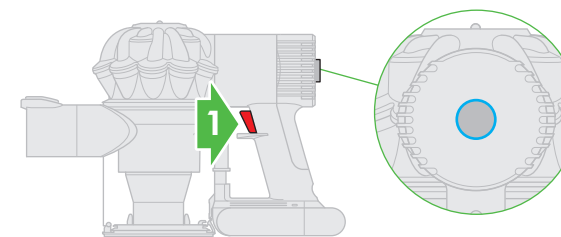
Combination tool
Herramienta de combinación






Emptying
Cómo vaciar

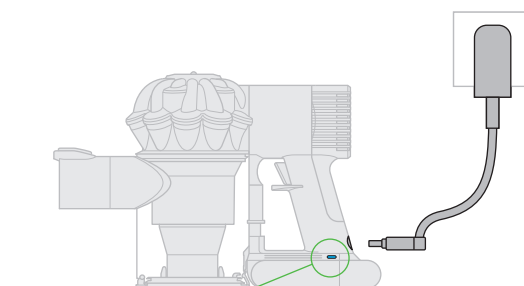






Diagnostics - main body
Diagnóstico: estructura principal



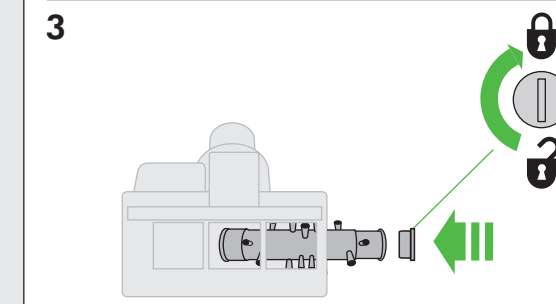
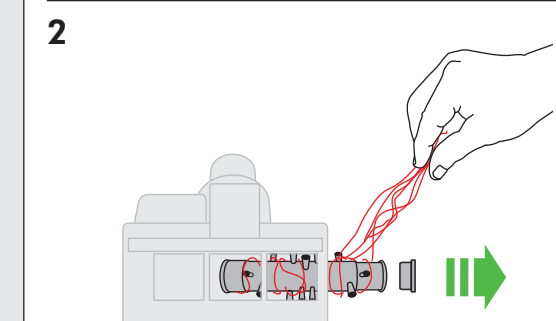
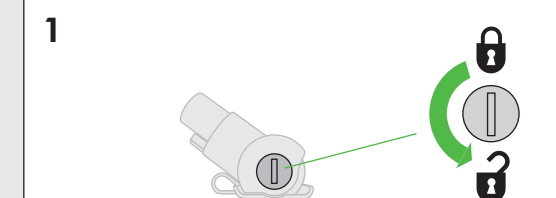
 Solid blue: Max 'ON'.
Luz azul sólido: modo Máximo encendido (ON).
 Flashing blue: Low battery warning.
Luz azul intermitente: advertencia de batería baja.
 Fast flashing blue: No power, temporary fault (e.g. check filter or for blockages).
Luz azul intermitente rápida: No hay energía, fallo temporal (p. ej. comprobar el filtro o detectar obstrucciones).

Charging
Recarga



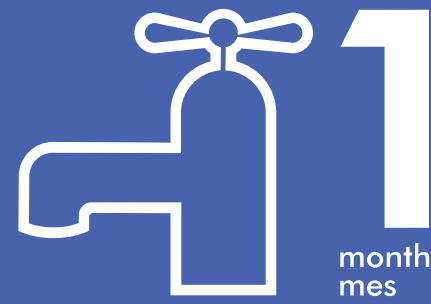
 Fully charged.
Totalmente cargada.
 Charging.
Recarga.
 Not charging – too cold/too hot.
No carga – demasiado frío/demasiado caliente.
 Not charging (contact Dyson Helpline).
No carga (Comuníquese con la Línea Directa de Asistencia al Cliente).

Clearing brush bar obstructions
Eliminación de las obstrucciones del cepillo



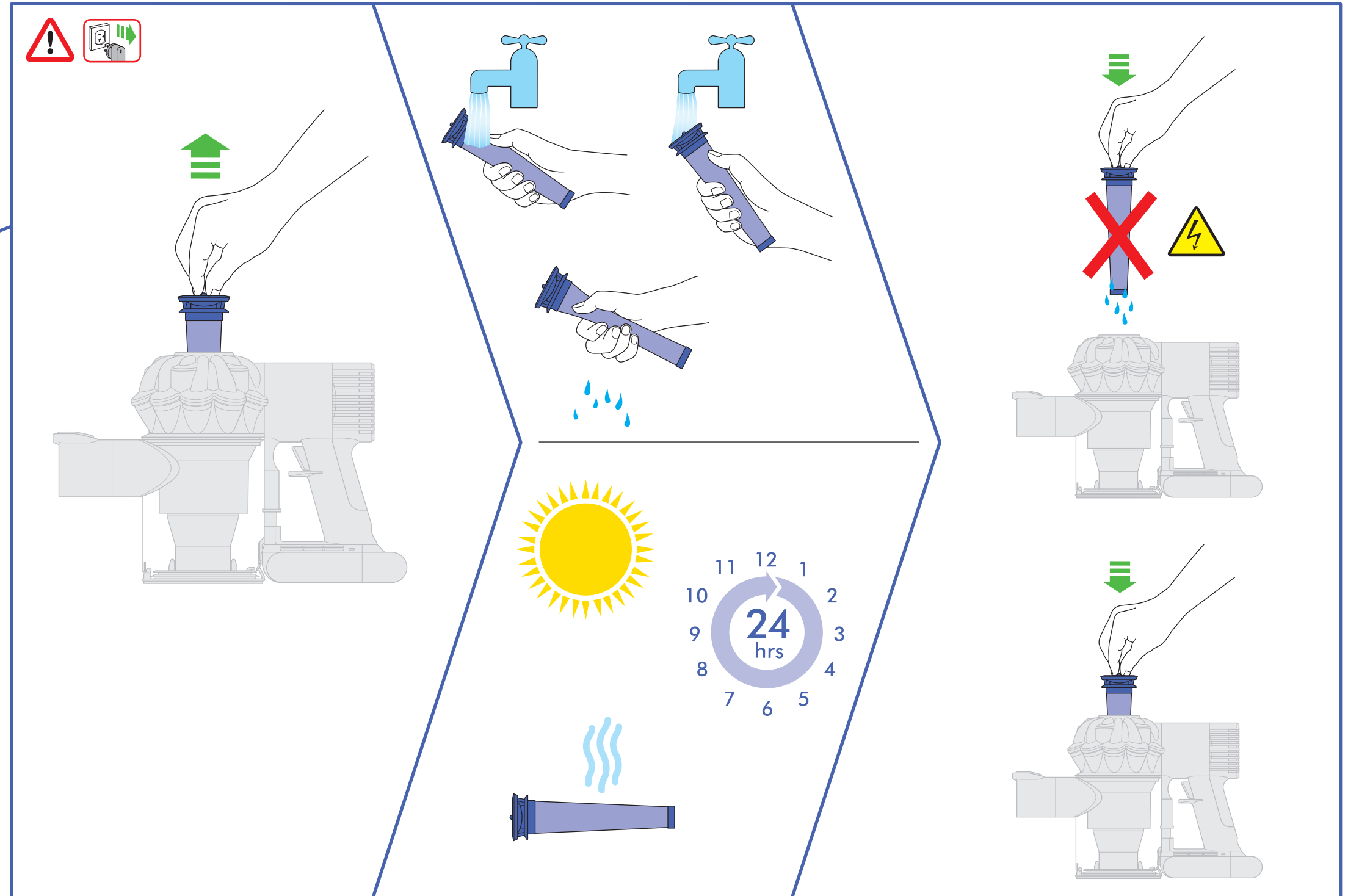
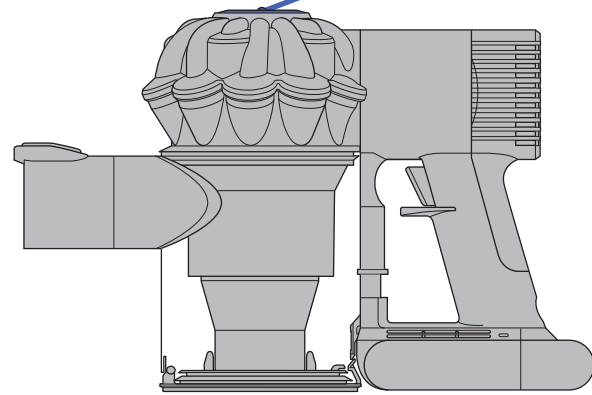
IMPORTANT! ¡IMPORTANTE!

WASH FILTER
LAVE EL FILTRO



Wash filter with cold water at least every month.
Ensure the filter is completely dry before refitting.

Lave el filtro con agua fría al menos cada mes.
Asegúrese de que el filtro esté completamente seco antes de volver a colocarlo.



USING YOUR DYSON MACHINE

PLEASE READ THE "IMPORTANT SAFETY INSTRUCTIONS" IN THIS DYSON OPERATING MANUAL BEFORE PROCEEDING.

OPERATION

- Do not use outdoors or on wet surfaces or to vacuum water or other liquids – electric shock could occur.
- Ensure the machine remains upright in use. Dirt and debris may be released if it is turned upside down.
- Do not operate while checking for blockages as doing so could result in personal injury.
- For domestic indoor and car use only. Do not use it while the car is in motion or while driving.
- To operate the max mode, hold the trigger down and press the max button. The max button will light up.
- To switch off max mode, hold the trigger down and press the max button again. Note: The machine will retain the last used mode. So if you use it in max mode and do not disengage it, the machine will operate in max mode when it is next used until you depress the max button to disengage it.
- To watch a short online video visit: www.dyson.com/DC58gettingstarted

CARPETS OR HARD FLOORS

- Before vacuuming your flooring, rugs and carpets, check the manufacturer's recommended cleaning instructions.
- The brush bar on the machine can damage certain carpet types and floors. Some carpets will fuzz if a rotating brush bar is used when vacuuming. If this happens, we recommend vacuuming without the motorized floor tool and consulting with your flooring manufacturer.
- Before vacuuming highly polished floors, such as wood or linoleum, first check that the underside of the floor tool and its brushes are free from foreign objects that could cause marking.

LOOKING AFTER YOUR DYSON MACHINE

- Do not carry out any maintenance or repair work other than that shown and described in this Dyson Operating Manual, or advised by the Dyson Helpline.
- Only use parts recommended by Dyson. If you do not this may invalidate your warranty.
- Store the machine indoors. Do not use or store it below 37.4°F (3°C). Ensure the machine is at room temperature before operating.
- Clean the machine only with a dry cloth. Do not use any lubricants, cleaning agents, polishes or air fresheners on any part of the machine.

VACUUMING

- Do not use without the clear bin and filter in place.
- Fine dirt such as plaster dust or flour should only be vacuumed in very small amounts.
- Do not use the machine to pick up sharp hard objects, small toys, pins, paper clips, etc. They may damage the machine.
- When vacuuming, certain carpets may generate small static charges in the clear bin. These are harmless and are not associated with the central electricity supply. To minimize any effect from this, do not put your hand or insert any object into the clear bin unless you have first emptied it. Clean the clear bin with a damp cloth only. (See "Cleaning the clear bin".)
- Use extra care when cleaning on stairs.
- Do not rest the machine on chairs, tables, etc.
- Do not press down on the nozzle with excessive force when using the machine as this may cause damage.
- Do not leave the cleaner head in one place on delicate floors.
- On waxed floors the movement of the cleaner head may create an uneven luster. If this happens, wipe with a damp cloth, polish the area with wax, and wait for it to dry.

EMPTYING THE CLEAR BIN

- Empty as soon as the dirt reaches the level of the MAX mark – do not overfill.
- Ensure the machine is disconnected from the charger before emptying the clear bin. Be careful not to pull the "ON" trigger.
- To release the dirt, push the red button by the clear bin. Press once to open the bin base. Press a second time to release the clear bin from the main body of the machine.
- To minimize dust/allergen contact when emptying, encase the clear bin tightly in a plastic bag and empty.
- Remove the clear bin carefully from the bag.
- Seal the bag tightly, dispose as normal.
- Close the clear bin base so it clicks into place and is secure.

CLEANING THE CLEAR BIN

- Ensure the machine is disconnected from the charger before removing the clear bin. Be careful not to pull the "ON" trigger.
- Push the red button by the clear bin. Press once to open the bin base. Press a second time to release the clear bin from the main body of the machine.
- Remove the clear bin carefully.
- Clean the clear bin with a damp cloth only.
- Do not use detergents, polishes or air fresheners to clean the clear bin.
- Do not put the clear bin in a dishwasher.
- Clean the cyclone shroud with the brush on the combination tool to remove lint and dust.
- Ensure the clear bin is completely dry before replacing.
- To replace the clear bin, push the clear bin up and into the main body of the machine. It will click into place.
- Close the clear bin base so it clicks into place and is secure.

WASHING YOUR FILTER

- Ensure the machine is disconnected from the charger before removing the filter. Be careful not to pull the "ON" trigger.
- Your machine has one washable filter, located as shown.
- To remove the filter, lift it out of the top of the machine.
- Check and wash the filter regularly according to instructions to maintain performance.
- The filter may require more frequent washing if vacuuming fine dust or if used mainly in "POWERFUL SUCTION" mode.
- Wash the filter with cold water only.
- Run water over the outside of the filter until the water runs clear.
- Squeeze and twist with both hands to make sure the excess water is removed.
- Lay the filter on its side to dry. Leave to dry completely for a minimum of 24 hours.
- Do not put the filter in a dishwasher, washing machine, tumble dryer, oven, microwave or near an open flame.
- To refit, place the dry filter back into the top of the machine. Make sure it is seated properly.
- To watch a short online video visit: www.dyson.com/DC58filterwash

LOOKING FOR BLOCKAGES

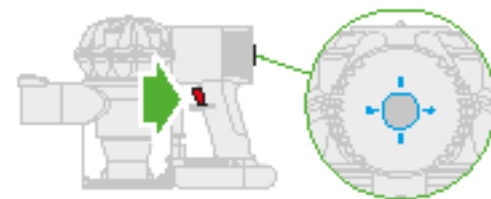
- Ensure the machine is disconnected from the charger before looking for blockages. Be careful not to pull the "ON" trigger.
- Do not operate while checking for blockages as doing so could result in personal injury.
- Beware of sharp objects when checking for blockages.
- If you cannot clear an obstruction you may need to remove the brush bar. Use a coin to unlock the fastener marked with a padlock. Remove the obstruction. Replace the brush bar and secure it by tightening the fastener. Ensure it is fixed firmly before operating the machine.
- Refit all parts securely before using.
- Clearing blockages is not covered by your warranty.

BLOCKAGES – AUTOMATIC CUT-OUT

- This machine is fitted with an automatic cut-out.
- If any part becomes blocked the machine may automatically cut out.
- This will happen after the motor pulses a number of times (i.e switches on and off in quick succession).
- Leave to cool down before looking for blockages.
- Ensure the machine is disconnected from the charger before looking for blockages. Failure to do so could result in personal injury.
- Clear any blockage before restarting.
- Refit all parts securely before using.
- Clearing blockages is not covered by your warranty.

DIAGNOSTICS - MAIN BODY

When in use, trigger pressed:



- Solid blue: Max 'ON'.
- Light off: Powerful suction.
- Flashing blue: Low battery warning.
- Fast flashing blue: No power, temporary fault (e.g. check filter or for blockages).

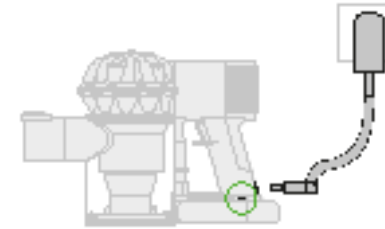
DIAGNOSTICS – BATTERY

When in use, trigger pressed:



- Solid blue: 'ON'.
- Flashing blue: No power, charge battery.
- Flashing amber: No power, temporary fault (e.g. too hot/cold).
- Solid amber: Fault (contact Dyson Helpline).
- Flashing red: Fault (contact Dyson helpline).

When charging battery:



- Solid blue: Charging.
- Flashing blue: Not charging – Re-fit charger or try another socket. If persists, contact Dyson Helpline.
- Lights off: Charging complete.
- Solid amber: Not charging, temporary fault (e.g. too hot/cold).
- Flashing red: Fault (contact Dyson helpline).

CHARGING AND STORING

- This machine will switch "OFF" if the battery temperature is below 37.4°F (3°C). This is designed to protect the motor and battery. Do not charge the machine and then move it to an area with a temperature below 37.4°F (3°C) for storage purposes.
- To help prolong battery life, avoid recharging immediately after a full discharge. Allow to cool for a few minutes.
- Avoid using the machine with the battery flush to a surface. This will help it run cooler and prolong battery run time and life.

BATTERY SAFETY INSTRUCTIONS

- If the battery needs replacing please contact the Dyson Helpline.
- Use only Dyson chargers for charging this Dyson machine.
- The battery is a sealed unit and under normal circumstances poses no safety concerns. In the unlikely event that liquid leaks from the battery do not touch the liquid and observe the following precautions:
 - Skin contact – can cause irritation. Wash with soap and water.
 - Inhalation – can cause respiratory irritation. Expose to fresh air and seek medical advice.
 - Eye contact – can cause irritation. Immediately flush eyes thoroughly with water for at least 15 minutes. Seek medical attention.
 - Disposal – wear gloves to handle the battery and dispose of immediately, following local ordinances or regulations.

CAUTION

The battery used in this device may present a risk of fire or chemical burn if mistreated. Do not disassemble, short contacts, heat above 140°F (60°C), or incinerate. Keep away from children. Do not disassemble and do not dispose of in fire.

DISPOSAL INFORMATION

- Dyson products are made from high grade recyclable materials. Recycle where possible.
- The battery should be removed from the product before disposal.
- Dispose of or recycle the battery in accordance with local ordinances or regulations.

DYSON CUSTOMER CARE

THANK YOU FOR CHOOSING TO BUY A DYSON MACHINE

If you have a question about your Dyson machine, call the Dyson Helpline with your serial number and details of where and when you bought the machine. Most questions can be solved over the phone by one of our Dyson Helpline staff. If your Dyson machine needs service, call the Dyson Helpline so we can discuss the available options. If your Dyson machine is under warranty, and it is a covered repair, it will be repaired at no cost. Your serial number can be found on your rating plate which is on the main body of the machine behind the clear bin.

PLEASE REGISTER AS A DYSON MACHINE OWNER

To help us ensure you receive prompt and efficient service, please register as a Dyson machine owner. There are three ways to do this:

- Online at www.dyson.com
- Telephone the Dyson Helpline, at 1-855-533-1098.
- Complete the enclosed Warranty Form and mail it to us. This will confirm ownership of your Dyson machine in the event of an insurance loss, and enable us to contact you if necessary.

2 YEAR LIMITED WARRANTY

TERMS AND CONDITIONS OF THE DYSON 2 YEAR LIMITED WARRANTY

WHAT IS COVERED

Your Dyson machine is warranted against original defects in materials and workmanship for a period of 2 years from the date of purchase, when used for normal domestic purposes in accordance with the Dyson Operating Manual. Please retain your proof of purchase. If you do not have your proof of purchase, your warranty will start 90 days after the date of manufacture, according to Dyson's records. This warranty provides, at no extra cost to you, all labor and parts necessary to ensure your machine is in proper operating condition during the warranty period. The replacement of any part of your machine under warranty will not extend the period of warranty. Any parts which are returned to Dyson will become the property of Dyson. Please call the Dyson Helpline at 1-855-533-1098 for more information. This limited warranty is subject to the following terms:

WHAT IS NOT COVERED

Dyson shall not be liable for costs, damages or repairs incurred as a result of, due to, or from:

- Purchases of machines from unauthorized dealers.
- Careless operation or handling, misuse, abuse and/or lack of maintenance or use not in accordance with the Dyson Operating Manual.
- Use of the machine other than for normal domestic purposes within the United States, e.g. for commercial or rental purposes.
- Use of parts not in accordance with the Dyson Operating Manual.
- Use of parts and accessories other than those produced or recommended by Dyson.
- External sources such as weather, electrical outages or power surges.
- Repairs or alterations carried out by unauthorized parties or agents.
- Clearing blockages from your machine or washing of the filter.
- Normal wear and tear, including normal wearing parts, such as clear bin, filter, brush bar, and power cord (or where external damage or abuse is diagnosed), carpet or floor damage due to use not in accordance with the Dyson Operating Manual or failure to turn the brush bar off when necessary.
- Reduction in battery discharge time due to battery age or use (where applicable).
- Damage as a result of use not in accordance with the rating plate.
- Use of this machine on rubble, ash, plaster, drywall, liquids, or wet surfaces.
- Additionally, this limited warranty does not apply to any machine that has had the serial number altered or removed.

WARRANTY LIMITATIONS AND EXCLUSIONS

- Any implied warranties relating to your machine including but not limited to warranty of merchantability or warranty of fitness for a particular purpose, are limited to the duration of this warranty. This limitation is not allowed by some States and so this limitation may not apply to you.
- Your remedy for breach of this warranty is limited to the warranty service described below. Dyson will not be liable for any consequential damages or incidental damages you may incur in connection with your purchase and use of your machine. This limitation is not allowed by some States and so this limitation may not apply to you.
- This limited warranty gives you specific legal rights. You may also have other rights which vary by State.
- This limited warranty is not transferable.

WARRANTY SERVICE

- Please fill out and return the Warranty Form, or register online at www.dyson.com
- Before service can take place, the terms of the warranty require that you contact the Dyson Helpline with your model name/number, serial number, date and place of purchase.
- Please keep your purchase receipt in a safe place to ensure you have this information.
- All work will be coordinated by Dyson or its authorized agents.
- Any replaced defective parts will become the property of Dyson.
- Service under this warranty will not extend the period of this warranty.
- If your machine is not functioning properly, please call the Dyson Helpline at 1-855-533-1098. Most issues can be rectified over the telephone by our trained Customer Care staff.

IMPORTANT DATA PROTECTION INFORMATION

- If you choose to opt-in to receive communications from us, your details will be held by Dyson or others on behalf of Dyson so that we can assist you more quickly with our Dyson Helpline. From time to time, Dyson may send you special offers and news of our latest innovations.
- For more information about our data collection practices, please refer to the Dyson privacy policy at www.dyson.com/privacy

CONFORMITY INFORMATION

This device complies with part 15 of the FCC Rules. Operation is subject to the following two conditions: (1) This device may not cause harmful interference, and (2) this device must accept any interference received, including interference that may cause undesired operation.

This equipment has been tested and found to comply with the limits for a Class B digital device, pursuant to part 15 of the FCC Rules. These limits are designed to provide reasonable protection against harmful interference in a residential installation. This equipment generates, uses and can radiate radio frequency energy and, if not installed and used in accordance with the instructions, may cause harmful interference to radio communications. However, there is no guarantee that interference will not occur in a particular installation. If this equipment does cause harmful interference to radio or television reception, which can be determined by turning the equipment off and on, the user is encouraged to try to correct the interference by one or more of the following measures:

- Reorient or relocate the receiving antenna.
 - Increase the separation between the equipment and receiver.
 - Connect the equipment into an outlet on a circuit different from that to which the receiver is connected.
 - Consult the dealer or an experienced radio/TV technician for help.
- Changes or modifications not expressly approved by the party responsible for compliance could void the user's authority to operate the equipment.

PRODUCT INFORMATION

Please note: Small details may vary from those shown.

USO DE SU MÁQUINA DYSON

ANTES DE CONTINUAR, SÍRVASE LEER LAS "INSTRUCCIONES DE SEGURIDAD IMPORTANTES" DE ESTE MANUAL DE FUNCIONAMIENTO DYSON.

FUNCIONAMIENTO

- No la utilice en exteriores ni sobre superficies mojadas, ni para aspirar agua u otros líquidos, ya que podrían producirse descargas eléctricas.
- Asegúrese de que la máquina esté colocado en posición vertical al utilizarlo. Es posible que el aparato expulse suciedad y residuos si se coloca en posición invertida.
- No ponga a funcionar el aparato cuando esté verificando posibles obstrucciones.
- Sólo para uso doméstico y para automóviles. No lo utilice si el coche está en movimiento o mientras maneja.
- Para activar el modo de máximo, mantenga presionado el gatillo y presione el botón máximo. Se encenderá el botón máximo.
- Para desactivar el modo de máximo, mantenga presionado el gatillo y vuelva a presionar el botón de máximo. Nota: el aparato funcionará en el último modo en que se utilizó. Por lo tanto, si lo utiliza en el modo de máximo y no lo desactiva, la próxima vez que lo utilice, el aparato funcionará en el modo de máximo. Para desactivarlo, presione el botón de máximo.
- Para ver un breve vídeo en línea, visite: www.dyson.com/DC58gettingstarted

ALFOMBRAS O PISOS

- Antes de aspirar sus pisos, tapetes y alfombras, consulte las instrucciones de limpieza que recomienda el fabricante.
- El cepillo del aparato puede dañar algunos tipos de pisos y alfombras. Algunas alfombras producirán pelusa si se utiliza un cepillo giratorio durante la aspiración. En tal caso, recomendamos aspirar sin utilizar la herramienta de piso motorizada y consultar al fabricante del piso.
- Antes de aspirar pisos con alto grado de pulido, como los de madera o linóleo, verifique primero que el lado inferior del accesorio para pisos y sus cepillos no tienen objetos extraños que puedan producir marcas.

CÓMO CUIDAR SU MÁQUINA DYSON

- No realice ningún tipo de mantenimiento o reparaciones que no sean las indicadas y descritas en este Manual de Funcionamiento Dyson o que se le sugiera en la línea de ayuda de Dyson.
- Utilice únicamente las piezas que recomienda Dyson. De no hacerlo podría anular su garantía.
- Almacene la máquina en un espacio cerrado. No lo utilice si la temperatura es menor de 37.4° F (3° C). Compruebe que la máquina está a temperatura ambiente antes de ponerlo en funcionamiento.
- Limpie máquina únicamente con un paño seco. No utilice ningún lubricante, agente de limpieza, pulidor o aromatizador en ninguna parte del máquina.

PARA ASPIRAR

- No lo utilice si el compartimiento cubo transparente y el filtro no están colocados en su lugar.
- La suciedad fina, como el polvo de harina, deberá aspirarse sólo en pequeñas cantidades.
- No utilice la máquina para recoger objetos duros cortantes, juguetes pequeños, alfileres, sujetapapeles, etc., ya que podrían dañar la máquina.
- Durante el proceso de aspiración, es posible que algunas alfombras generen pequeñas cargas estáticas en el cubo transparente o tubo. Son inofensivas y no están asociadas con el suministro de la red eléctrica. A fin de reducir los posibles efectos, no coloque la mano ni introduzca ningún objeto en el cubo transparente si aún no se vació. Lave el compartimiento cubo transparente únicamente con un paño húmedo. (See "Cómo limpiar el cubo transparente".)
- Tenga mucho cuidado cuando utilice la máquina sobre una escalera.
- No recargue la máquina sobre sillas, mesas, etc.
- No presione con demasiada fuerza la boquilla cuando utilice la máquina porque esto puede provocar daños.
- No deje el cabezal de la aspiradora en un solo lugar si está sobre pisos delicados.
- En los pisos encerados, el movimiento de la máquina puede generar un lustre disparejo. Si esto sucede, limpie con un paño húmedo, pula el área con cera, y guarde hasta que se seque.

CÓMO VACIAR EL CUBO TRANSPARENTE

- Vacíe el compartimiento cuando la basura llegue al nivel máximo. Evite sobrecargarlo.
- Asegúrese de desconectar la máquina del cargador antes de vaciar el compartimiento cubo transparente. Tenga cuidado de no jalar el gatillo de encendido ("ON").
- Para liberar la suciedad, presione el botón rojo situado al lado del cubo transparente. Presione una sola vez para abrir la base del cubo. Presione por segunda vez para quitar el cubo transparente de la estructura principal del aparato.
- Para minimizar el contacto con polvo/alérgenos al efectuar el vaciado, introduzca el cubo transparente en una bolsa de plástico y vacíe el contenido.
- Quite cuidadosamente el compartimiento cubo transparente de la bolsa.
- Selle perfectamente la bolsa, elimínala como acostumbra hacerlo.
- Cierre la base del compartimiento cubo transparente hasta que haga clic y quede segura en su lugar.

CÓMO LIMPIAR EL CUBO TRANSPARENTE

- Asegúrese de desconectar la máquina del cargador antes de quitar el compartimiento cubo transparente. Tenga cuidado de no jalar el gatillo de encendido ("ON").
- Presione el botón rojo situado al lado del cubo transparente: presione una sola vez para abrir la base del cubo. Presione por segunda vez para quitar el cubo transparente de la estructura principal del aparato.
- Extraiga con cuidado el cubo transparente.
- Lave el compartimiento cubo transparente únicamente con un paño húmedo.
- No utilice detergente, líquido para encerrar ni desodorante de ambientes para limpiar el compartimiento.
- No limpie el compartimiento en un lavavajillas.
- Limpie la tapa del extractor de polvo con el cepillo de la herramienta combinada para eliminar las pelusas y el polvo.
- Asegúrese de que el compartimiento esté totalmente seco antes de colocarlo.
- Para volver a colocar el cubo transparente, levante el cubo transparente y colóquelo en la estructura principal del aparato. Hará un clic cuando esté bien colocado en su lugar.
- Cierre la base del compartimiento cubo transparente hasta que haga clic y quede segura en su lugar.

CÓMO LAVAR EL FILTRO

- Asegúrese de desconectar la máquina del cargador antes de quitar el filtro. Tenga cuidado de no jalar el gatillo de encendido ("ON").
- Esta máquina tiene uno filtro, ubicados como se muestra en las ilustraciones.
- Para quitar el filtro, extráigalo por la parte superior del aparato.
- Revise y lave el filtro con periodicidad, conforme a las instrucciones, para mantener el rendimiento.
- Si se va aspirar polvo fino o se utiliza principalmente en el modo de "SUCCIÓN A GRAN POTENCIA", será necesario lavar el filtro con mayor frecuencia.
- Utilice únicamente agua fría para lavar el filtro.
- Enjuague la parte exterior del filtro con agua hasta que esta salga completamente limpia.
- Escúrralo y gírelo con las dos manos para asegurarse de eliminar el exceso de agua.
- Coloque el filtro de costado para que se seque. Déjelo secar completamente durante 24 horas como mínimo.
- No coloque el filtro en el lavavajillas, el lavarropas, la secadora, el horno, el microondas o cerca del fuego.
- Para volver a colocarlo, introduzca el filtro seco por la parte superior del aparato. Asegúrese de colocarlo en la posición correcta.
- Para ver un breve vídeo en línea, visite: www.dyson.com/DC58filterwash

CÓMO BUSCAR OBSTRUCCIONES

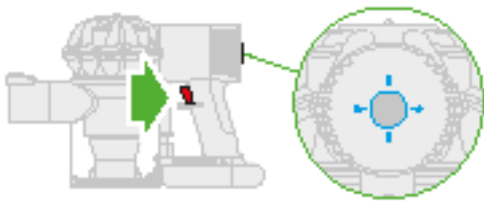
- Asegúrese de desconectar la máquina del cargador antes de inspeccionar en busca de obstrucciones. Tenga cuidado de no jalar el gatillo de encendido ("ON").
- No lo ponga en funcionamiento mientras verifica si hay obstrucciones.
- Tenga cuidado con los objetos filosos cuando inspeccione las obstrucciones.
- Si no puede eliminar la obstrucción, es posible que necesite quitar el cepillo. Utilice una moneda para liberar el sujetador marcado con un candado. Quite la obstrucción. Vuelva a colocar el cepillo y ajústelo con el sujetador. Asegúrese de que quede bien fijo antes de utilizar el aparato.
- Reinstale todas las partes correctamente antes de utilizarlo.
- Su garantía limitada no cubre la eliminación de obstrucciones.

OBSTRUCCIONES: SISTEMA DE DESCONEXIÓN AUTOMÁTICA

- Este aparato está equipado con un sistema de desconexión automática.
- Si alguna parte se bloquea, es probable que el aparato se desconecte automáticamente.
- Esto sucederá después de que el motor vibre varias veces (es decir, que se encienda y apague seguidamente).
- Deje que el aparato se enfríe antes de buscar obstrucciones.
- Asegúrese de desconectar la máquina del cargador antes de verificar si hay obstrucciones. Si no lo hace, podría sufrir lesiones.
- Elimine cualquier obstrucción antes de reiniciar el funcionamiento.
- Reinstale todas las partes correctamente antes de utilizarlo.
- Su garantía limitada no cubre la eliminación de obstrucciones.

DIAGNÓSTICO: ESTRUCTURA PRINCIPAL

Cuando está en funcionamiento, con el gatillo presionado:



- Luz azul sólida: modo Máximo encendido (ON).
- Luces apagadas: modo de succión potente.
- Luz azul intermitente: advertencia de batería baja.
- Luz azul intermitente rápida: No hay energía, fallo temporal (p. ej. comprobar el filtro o detectar obstrucciones).

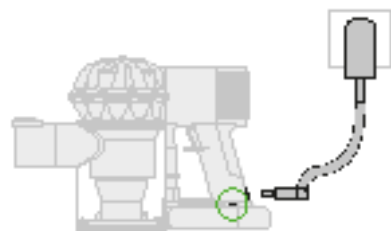
DIAGNÓSTICO: BATERÍA

Cuando está en funcionamiento, con el gatillo presionado:



- Luz azul sólida: encendida.
- Luz azul intermitente: no hay energía, cargue la batería.
- Luz ámbar intermitente: no hay energía, fallo temporal (p. ej. la temperatura es muy alta o muy baja).
- Luz ámbar sólida: (fallo; si el problema continúa, comuníquese con la Línea Directa de Asistencia al Cliente de Dyson.)
- Luz roja intermitente: fallo (comuníquese con la Línea Directa de Asistencia al Cliente de Dyson).

Durante la carga de la batería:



- Luz azul sólida: carga en curso.
- Luz azul intermitente: no está cargando; reacondicione el cargador o pruebe con otra toma. Si el problema continúa, comuníquese con la Línea Directa de Asistencia al Cliente de Dyson.
- Luces apagadas: carga completa.
- Luz ámbar sólida: no carga, fallo temporal (p. ej. la temperatura es muy alta o muy baja).
- Luz roja intermitente: fallo (comuníquese con la Línea Directa de Asistencia al Cliente de Dyson).

RECARGA Y ALMACENAMIENTO

- Esta máquina se apagará si la temperatura de la batería es inferior a 37.4 °F (3 °C). La finalidad de esto es proteger el motor y la batería. No recargue la máquina para luego almacenarlo en un área cuya temperatura sea inferior a 37.4 °F (3 °C).
- Para ayudar a prolongar la vida útil de la batería, evite recargarla inmediatamente después de que esté totalmente descargada. Permita que se enfríe durante algunos minutos.
- Evite utilizar la máquina con la batería a ras con una superficie. Esto ayudará a que funcione a una temperatura más baja y prolongará el tiempo de funcionamiento y la vida útil de la batería.

INSTRUCCIONES DE SEGURIDAD DE LA BATERÍA

- En caso de que deba reemplazar la batería, comuníquese con la línea directa de Asistencia al Cliente de Dyson.
- Utilice sólo cargadores Dyson para recargar esta máquina Dyson.
- La batería es una unidad sellada y en situaciones normales no implica riesgos de seguridad. En el evento improbable de que la batería drene líquido, no toque el líquido y tome las siguientes precauciones:
 - Contacto con la piel: puede ocasionar irritación. Lave con jabón y agua.
 - Inhalación: puede ocasionar irritación respiratoria. Provea aire fresco y busque asistencia médica.
 - Contacto con los ojos: puede ocasionar irritación. Lave perfectamente los ojos de inmediato con agua durante por lo menos 15 minutos. Busque atención médica.
 - Eliminación: use guantes para manipular la batería y elimínela inmediatamente de acuerdo con las ordenanzas o normativas locales.

⚠ PRECAUCIÓN:

El maltrato a la batería que usa esta máquina puede representar un riesgo de incendio o quemadura química. No la desarme, no provoque cortos, no la caliente a más 140°F (60°C) ni la incinere. Manténgala lejos del alcance de los niños. No la desarme ni la arroje al fuego.

INFORMACIÓN DE ELIMINACIÓN DE RESIDUOS

- Los productos Dyson están hechos a partir de materiales reciclables de alta calidad. Recíclelo siempre que sea posible.
- Antes de desechar el producto, debe quitarle las baterías.
- Deseche o recicle las baterías de conformidad con las ordenanzas o regulaciones locales.

SERVICIO DE ATENCIÓN AL CLIENTE DYSON

GRACIAS POR ELEGIR COMPRAR UNA MÁQUINA DYSON

Si tiene alguna duda acerca de su máquina Dyson, llame a la línea de ayuda de Dysonal con el número de serie e información de cuándo y dónde compró la máquina.

Si tiene más preguntas, puede consultar por teléfono a algún miembro de la línea de ayuda.

Si su máquina Dyson necesita reparación llame a la Línea de ayuda de Dyson para poder analizar las opciones disponibles. Si su máquina tiene garantía y la reparación necesaria está incluida dentro de esa garantía, se reparará sin costo alguno.

Su número de serie se encuentra en la placa de especificaciones situada en el cuerpo principal del aparato detrás del cubo transparente.

POR FAVOR REGÍSTRESE COMO PROPIETARIO DE UNA MÁQUINA DYSON

Para ayudarnos a asegurarle que reciba un servicio rápido y eficaz, por favor regístrese como propietario de una máquina Dyson. Hay dos maneras de hacerlo:

- En línea en www.dyson.com
- Llamando por teléfono a la Línea de ayuda de Dyson, 1-855-533-1098.
- Enviando por correo el formulario de garantía que se anexa, dirigido a nuestra dirección.

Esto confirmará que la máquina Dyson es de su propiedad en caso de que ocurra una pérdida cubierta por el seguro, y nos permitirá contactarle si fuese necesario.

2 AÑOS DE GARANTÍA LIMITADA

TÉRMINOS Y CONDICIONES DE LA GARANTÍA LIMITADA DE 2 AÑOS DE DYSON

QUÉ ESTÁ CUBIERTO

Su máquina Dyson está garantizada contra defectos originales de material o mano de obra por un período de 2 años a partir de la fecha de compra, cuando se utilice para fines domésticos normales y de acuerdo con el Manual de funcionamiento de Dyson. Conserve su factura de compra. Si no tiene la factura de compra, la validez de la garantía empezará a contar desde los 90 días posteriores a la fecha de fabricación, según los registros de Dyson. Esta garantía proporciona, sin costo para usted, toda la mano de obra y piezas para poner su máquina en perfectas condiciones de funcionamiento durante el plazo de garantía. El reemplazo de cualquier pieza de la máquina con garantía no extiende el período de la garantía. Todas las piezas que se devuelvan a Dyson serán propiedad de Dyson. Comuníquese con la Línea Directa de Asistencia al Cliente de Dyson al 1-866-277-4649 para obtener más información. Esta garantía está sujeta a los siguientes términos:

QUÉ NO ESTÁ CUBIERTO

Dyson no será responsable de los costos, daños o reparaciones originados como resultado de o debido a lo siguiente:

- Compras de máquinas de un proveedor no autorizado.
- El funcionamiento o manejo descuidado, uso indebido y/o falta de mantenimiento o el uso de forma contraria al Manual de Instrucciones de Dyson.
- El uso de la máquina contrario a los usos domésticos normales dentro de los Estados Unidos de América, por ejemplo, para el uso comercial o alquiler.
- El uso de piezas que no estén contempladas en el Manual de Instrucciones de Dyson.
- El uso de piezas y accesorios que no sean los producidos o recomendados por Dyson.
- Fuentes externas como el clima, las interrupciones eléctricas o las sobrecargas de energía.
- Reparaciones o alteraciones llevadas a cabo por partes o agentes no autorizados.
- Limpieza de obturaciones de la máquina o lavado del filtro.
- Uso y desgaste normal, incluido desgaste normal de partes como el cubo transparente, el filtro, el cepillo y el cable de corriente (o donde se diagnostique daño o abuso externo), daño a la alfombra o piso debido al uso sin cumplir las instrucciones del Manual de funcionamiento de Dyson o por no apagar el cepillo cuando es necesario.
- La reducción del tiempo de descarga de la batería es debida a la antigüedad de la batería o uso.
- Daño como resultado de un uso que contravenga las indicaciones de la placa de especificaciones.
- Uso de esta máquina sobre goma, ceniza, masilla, paredes de yeso o superficies húmedas.
- Además, esta garantía limitada no se aplica a ningún aparato cuyo número de serie se haya alterado o quitado.

LIMITACIONES Y EXCLUSIONES DE LA GARANTÍA

- Cualquier garantía implícita relacionada con su máquina, incluyendo pero sin limitarse a una garantía de comerciabilidad o garantía de idoneidad para un propósito en particular, se limita a la duración de esta garantía. Esta limitación no está permitida por algunos estados, por lo que esta limitación puede no aplicarse a usted.
- El recurso por el incumplimiento de esta garantía se limita al servicio de garantía que se describe a continuación. Dyson no es responsable por ningún daño indirecto o daño inherente en el que pueda incurrir en conexión con la adquisición y uso de su aparato. Esta limitación no está permitida por algunos Estados y, por lo tanto, podría no aplicarse en su caso.
- Esta garantía le otorga derechos legales específicos. Usted podría también tener otros derechos los cuales varían de acuerdo al estado.
- Esta garantía limitada no es transferible.

SERVICIO DE GARANTÍA

- Por favor complete y devuelva el Formulario de registro del producto, o regístrese en línea en www.dyson.com
- Antes de llevar a cabo el servicio, los términos de la garantía limitada requieren que usted se comunique a la línea de ayuda de Dyson con el nombre o número de su modelo, el número de serie, así como el lugar y la fecha de compra.
- Por favor mantenga la factura de compra en un sitio seguro para asegurarse de tener esta información.
- Todo trabajo será coordinado por Dyson o sus agentes autorizados.
- Cualquier pieza defectuosa que se reponga es propiedad de Dyson.
- El servicio que ampara esta garantía no amplía el período de la misma.
- Si su máquina no funciona correctamente, comuníquese a la línea de ayuda de Dyson al 1-855-533-1098. Nuestro personal de Atención al cliente podrá rectificar telefónicamente la mayoría de los problemas.

INFORMACIÓN IMPORTANTE PARA LA PROTECCIÓN DE DATOS

- Si opta por recibir nuestras comunicaciones, sus datos personales serán conservados por Dyson, o terceros en representación de Dyson, de manera que nuestra línea directa de Asistencia al Cliente Dyson pueda ayudarlo con mayor rapidez. En ocasiones, es posible que Dyson le envíe ofertas especiales y noticias sobre nuestras más recientes innovaciones.
- Para obtener más información acerca de nuestras prácticas de recopilación de datos, consulte la política de privacidad de Dyson en www.dyson.com/privacy

INFORMACIÓN DE CONFORMIDAD

Este dispositivo cumple con el artículo 15 de las Normas FCC. Su operación está sujeta a las siguientes dos condiciones: (1) Este dispositivo no debería provocar interferencia, y (2) este dispositivo debe aceptar cualquier interferencia recibida, incluyendo la que podría causar una operación indeseada. Cambios o modificaciones no aprobados por el grupo responsable de las reglas de conformidad puede invalidar la autoridad del usuario en la operación del equipo.

Se han realizado pruebas en este equipo que han permitido determinar que cumple con los límites establecidos para los dispositivos de Clase B, en base al artículo 15 de las Normas FCC. Estos límites están diseñados para brindar una protección razonable contra interferencias dañinas en instalaciones residenciales. Este equipo genera, utiliza y puede irradiar energía de radiofrecuencia y, si no se instala y utiliza en base a las instrucciones, puede causar interferencia dañina en las comunicaciones radiales. Sin embargo, no existe garantía alguna de que no se produzca interferencia en una instalación en particular. Si este equipo causa interferencia dañina en la recepción de un radio o un televisor (que se puede determinar mediante el encendido y el apagado del equipo), se recomienda que el usuario trate de corregir la interferencia mediante la aplicación de una o más de las siguientes medidas:

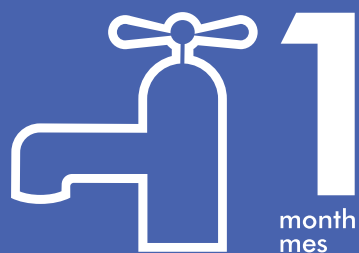
- Cambie la orientación o la ubicación de la antena receptora.
- Aumente la distancia entre el equipo y el receptor.
- Conecte el equipo en un toma de corriente que se encuentre en un circuito distinto al que está conectado el receptor.
- Solicite ayuda al proveedor o a un técnico de radio o TV con experiencia. Los cambios o modificaciones no aprobados por el grupo responsable de las reglas de conformidad pueden invalidar la autoridad del usuario en la operación del equipo.

INFORMACION ACERCA DEL PRODUCTO

Recuerde: El producto puede diferir en algunos pequeños detalles en comparación con las ilustraciones.

IMPORTANT! ¡IMPORTANTE!

WASH FILTER LAVE EL FILTRO



Wash filter with cold water at least every month.
Ensure the filter is completely dry before refitting.

Lave el filtro con agua fría al menos cada mes.
Asegúrese de que el filtro esté completamente
seco antes de volver a colocarlo.



Dyson customer care

If you have a question about your Dyson machine, call the Dyson Helpline with your serial number and details of where and when you bought the machine.

Servicio de atención al cliente Dyson

Si tiene alguna duda acerca de su máquina Dyson, llame a la línea de ayuda de Dysonal con el número de serie e información de cuándo y dónde compró la máquina.

DYSON CONTACT DETAILS

Website: www.dyson.com

Dyson Helpline: 1-855-533-1098 (Mon-Fri 8am to 8pm CST; Sat 9am to 6pm CST).

Servicio de atención al cliente Dyson: 1-855-533-1098

(lunes a viernes de 8 a.m. – 8 p.m., hora Centro; sábados de 9 a.m. – 6 p.m., hora Centro).



WARRANTY FORM CONTINUED CONTINUACIÓN DEL FORMULARIO DE GARANTÍA

Please take a few moments to answer our questions.
They will help us develop new products for the future.

Tómese unos instantes para responder a nuestras preguntas.
Esto nos ayudará a desarrollar nuevos productos en el futuro.

1. Why did you decide to buy a Dyson machine?

- Cleaning performance
- Advanced Technology/ Features
- Style / Design
- Warranty
- Recommendation
- Promotion
- No loss of suction
- Asthma and allergy certification
- HEPA filtration

1. ¿Por qué decidió comprar una máquina Dyson?

- Capacidad de limpieza
- Tecnología avanzada / Funciones
- Estilo / Diseño
- Garantía
- Recomendación
- Promoción
- No pierde succión
- Certificación para asma y alergia
- Filtro HEPA

2. Do you own pets?

- Cat / Dog
- Other
- None

2. ¿Tiene mascotas?

- Gato / Perro
- Otra
- Ninguna

3. Would you like to hear about future asthma and allergy related initiatives or product development at Dyson?

- Yes
- No

3. ¿Le gustaría saber sobre el desarrollo de productos o las futuras iniciativas en cuanto a asma y alergia en Dyson?

- Sí
- No

THANK YOU FOR YOUR TIME • GRACIAS POR DEDICARNOS SU TIEMPO





WARRANTY FORM • FORMULARIO DE GARANTÍA

Date of purchase | Fecha de compra / /

Serial number | Número de serie

Title | Tratamiento

Surname | Apellido

First name | Nombre

Address | Dirección

Zip Code | Código postal

email | email

Telephone | Teléfono

From time to time, we'd like to tell you about new Dyson technology and services or get your opinion about your purchase. If you'd prefer us NOT to keep in touch, please tick this box.

De vez en cuando, querríamos decirle acerca de la nueva tecnología de Dyson y servicios o conseguir su opinión acerca de su compra. Marque esta casilla si prefiere que NO mantengamos contacto con usted.

3 EASY WAYS TO REGISTER | 3 MANERAS FÁCILES DE REGISTRARSE

ONLINE

Convenient and instant.
www.dyson.com/register



EN LÍNEA

Conveniente y al instante.
www.dyson.com/register

PHONE

Dyson Helpline:
1-855-533-1098
(Mon-Fri 7am to 9pm CST;
Sat-Sun 9am to 6pm CST).



POR TELÉFONO

Servicio de atención al cliente Dyson:
1-855-533-1098 (lunes a viernes de
7 a.m. – 9 p.m., hora Centro; sábados y
domingos de 9 a.m. – 6 p.m., hora Centro).

MAIL

Complete and return the
form in the envelope supplied.



POR CORREO

Complete este formulario y envíelo.

