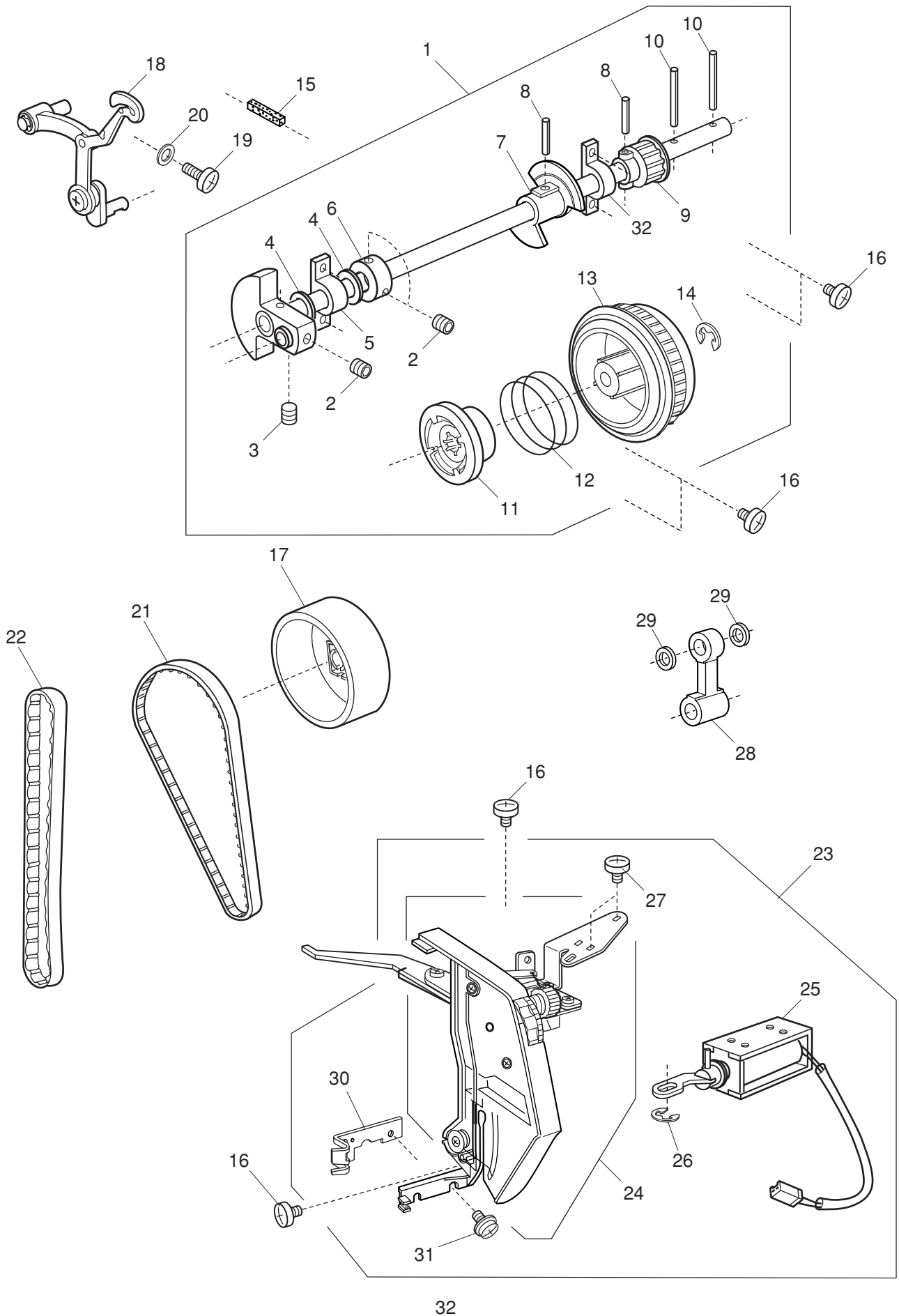


PARTS LIST

EX 30

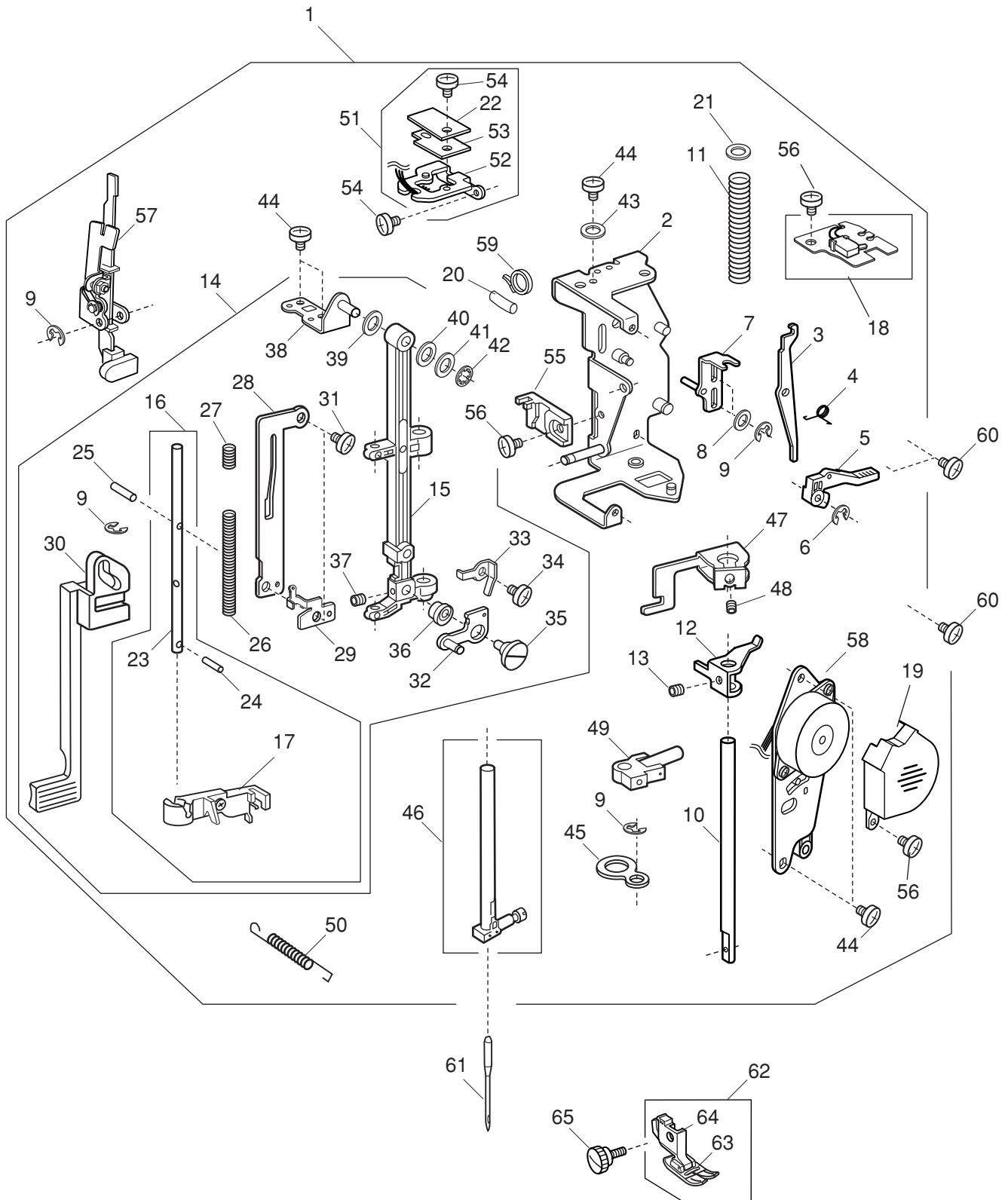
PARTS LIST



PARTS LIST

KEY NO.	PARTS NO.	DESCRIPTION
1	808601005	Upper shaft (unit)
2	000111201	Hexagonal socket screw 4x4
3	000112800	Hexagonal socket screw 4x6
4	000036201	Washer FT80
5	508054008	Shaft fixing metal
6	820166001	Lower shaft ring
7	808003001	Upper shaft shielding plate
8	000004200	Spring pin 3x18
9	508021006	Upper shaft gear
10	000024206	Spring pin 3x30
11	502064003	Clutch ring
12	661024007	Clutch spring
13	508055009	Belt wheel
14	000002806	Snap ring E-6
15	731312005	Felt
16	000081005	Setscrew 4x8
17	809100002	Handwheel
18	508634101	Thread take-up lever (unit)
19	000103509	Setscrew 4x10
20	000072302	Washer 4
21	808021005	Timing belt
22	808037004	Belt
23	809642001	Thread tension (unit)
24	809528000	Thread tension (unit)
25	808604101	Solenoid (unit)
26	000002105	Snap ring E-3
27	000101105	Setscrew 3x4
28	808005003	Needle bar crank rod
29	000036005	Washer FT60
30	809023000	Face plate spring supporter
31	000114709	Setscrew TP 3x6
32	508054101	Shaft fixing metal

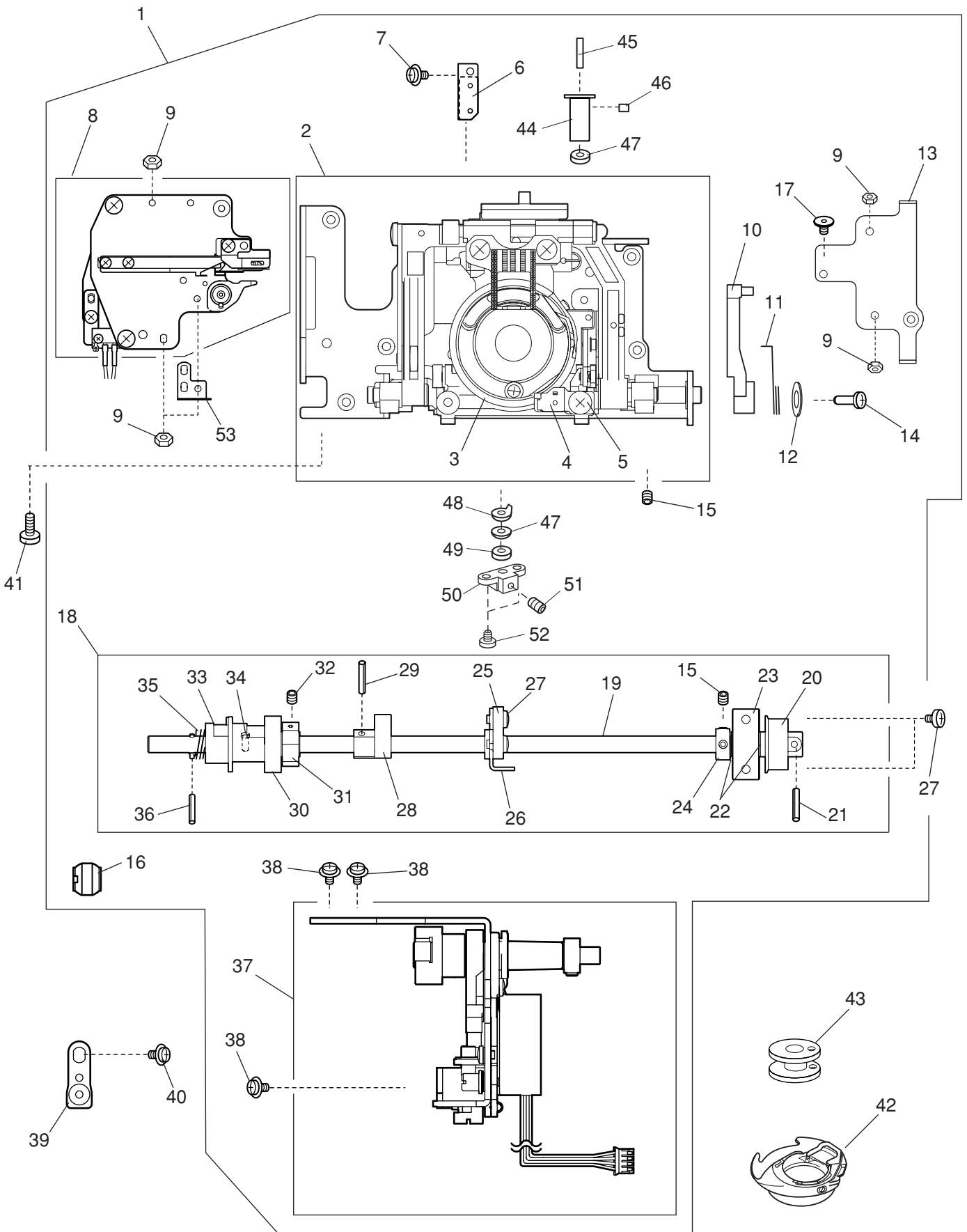
PARTS LIST



PARTS LIST

KEY NO.	PARTS NO.	DESCRIPTION
1	809614004	Presser bar base plate (unit)
2	808006406	Presser bar base plate
3	808007005	Thread tension release lever
4	503041007	Thread tension release spring
5	502024001	Presser foot lifter
6	000001609	Snap ring E-5
7	809128006	Presser bar spring adjusting plate
8	000072508	Washer 4
9	000002105	Snap ring E-3
10	827021107	Presser bar
11	830030006	Presser bar spring
12	502026003	Presser bar supporter
13	000111500	Hexagonal socket screw 4x8
14	809615005	Needle bar supporter (unit)
15	809129007	Needle bar supporter
16	842637006	Threader shaft (unit)
17	842638007	Threader plate (unit)
18	808611101	Presser foot lift switch (unit)
19	809019003	Motor cover
20	809046009	Tube
21	826055004	Washer
22	845029008	Insulation sheet
23	840036025	Threader shaft
24	000003508	Spring pin 2x8
25	000125105	Guide pin E-2x16-CH
26	842090001	Threader shaft spring
27	842096007	Threader lever spring
28	842091002	Threader guide plate
29	844036027	Threader lever plate
30	842092003	Threader lever
31	000078319	Setscrew 3x6
32	808015006	Zigzag width rod
33	827088009	Zigzag width rod spring
34	820373003	Setscrew 2x3
35	678084007	Eccentric pin
36	808074003	Washer
37	000111902	Hexagonal socket screw 3x4
38	808009007	Supporter adjusting plate
39	000036500	Washer FT60
40	673022002	Spring washer
41	000070609	Washer 6
42	000013903	Snap ring CS-5
43	000072003	Washer 5
44	000101404	Setscrew 4x6
45	808010001	Supporter guide plate
46	751564006	Needle bar (unit)
47	807018006	Threader position set plate
48	000177205	Hexagonal socket screw 3x6
49	809509005	Needle bar connecting stud (unit)
50	844038018	Needle bar supporter spring
51	808606206	Buttonhole sensor (unit)
52	845002005	Sensor set plate
53	843502808	Printed circuit board E1 (unit)
54	000101105	Setscrew 3x4
55	830057021	Buttonhole lever guide
56	000103808	Setscrew 3x5
57	843625004	Buttonhole lever (unit)
58	808605205	Zigzag width motor (unit)
59	000053008	Cord binder
60	000081005	Setscrew 4x8
61	102408089	Needle HA1-14
62	660509008	Presser foot (unit)
63	832523007	Zigzag foot
64	660806008	Presser foot holder
65	647112009	Setscrew

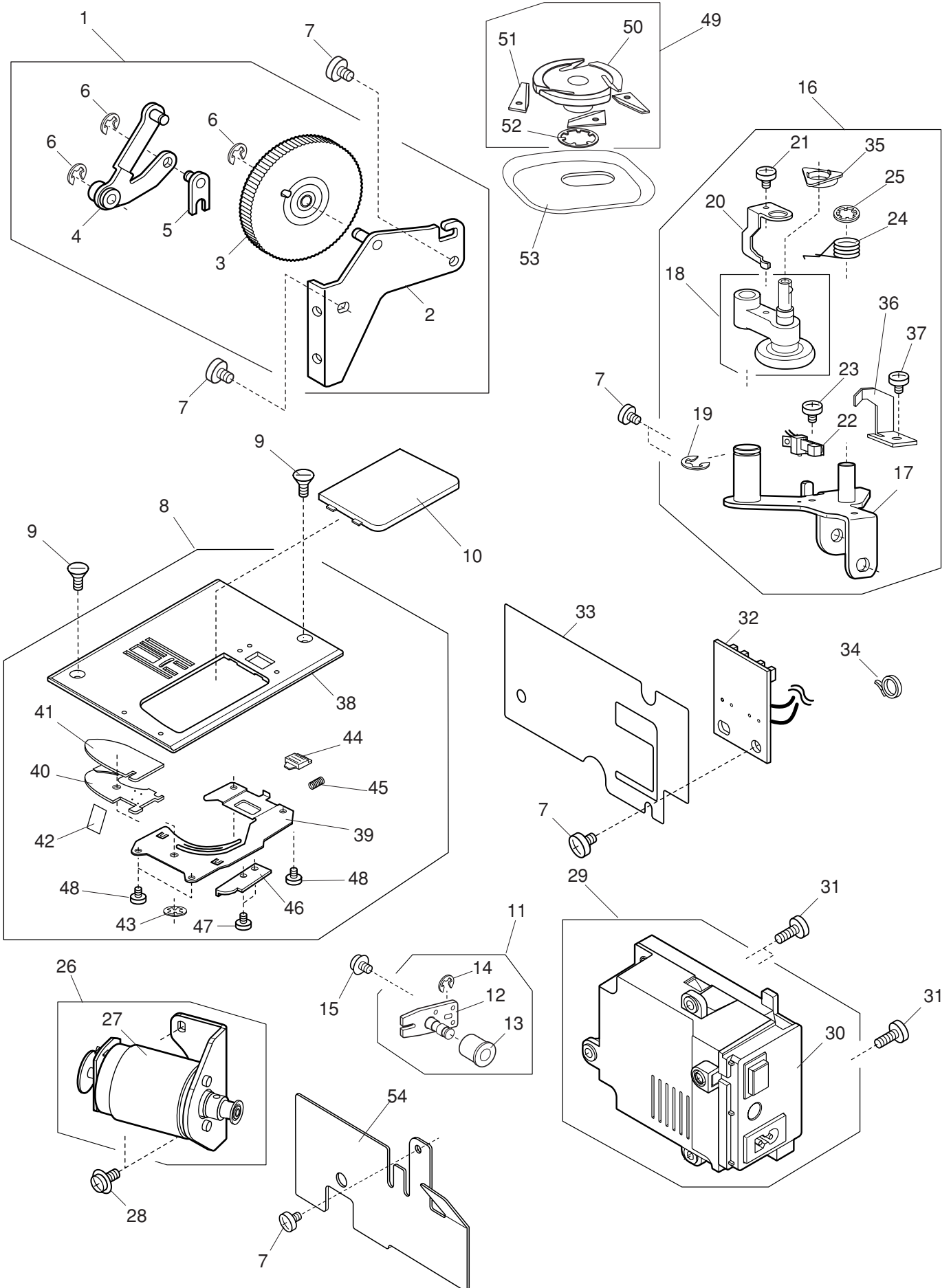
PARTS LIST



PARTS LIST

KEY NO.	PARTS NO.	DESCRIPTION
1	809620003	Hook race (whole unit)
2	809621004	Hook race (unit)
3	650623008	Hook body (unit)
4	846632003	Bobbin holder stopper (unit)
5	000164405	Setscrew 4x16
6	825515004	Feed base plate (unit)
7	825237009	Setscrew
8	809623006	Thread cutter (unit)
9	000063104	Nut 3-2-5.5
10	809013007	Feed fork
11	809015009	Feed fork spring
12	000071105	Washer
13	809021008	Needle plate set plate (right)
14	820172000	Pin
15	000111201	Hexagonal socket screw 4x4
16	732034003	Lower shaft bushing
17	000193104	Thin-head setscrew TP 3x4
18	809602009	Lower shaft (unit)
19	808027307	Lower shaft
20	508021006	Upper shaft gear
21	000004200	Spring pin 3x18
22	000038502	Washer
23	508054008	Shaft fixing metal
24	820166001	Lower shaft ring
25	809017001	Lower shaft supporter
26	809016000	Lower shaft supporter plate
27	000081005	Setscrew 4x8
28	809014008	Feed cam
29	000005407	Spring pin 3x12
30	808110002	Lower gear
31	508020005	Ring
32	000111108	Hexagonal socket screw 4x6
33	846103000	Feed lifting cam
34	820161006	Feed lifting pin
35	808075004	Feed lifting cam spring
36	000022802	Spring pin 2x12
37	809607004	Feed motor (unit)
38	000115205	Setscrew TP 4x6
39	809042005	Lower shaft bushing set plate
40	000115607	Setscrew TP 4x8
41	000101703	Setscrew 4x12
42	846652009	Bobbin holder (unit)
43	102261000	Bobbin
44	820123006	Hook race shaft
45	820124007	Hook shaft oil wick (1)
46	820125008	Hook shaft oil wick (2)
47	000038409	Washer
48	627192001	Washer
49	625102008	Washer
50	508072002	Hook race shaft base
51	000111304	Hexagonal socket screw 5x5
52	000103705	Setscrew 4x5
53	808105107	Slide position adjusting plate

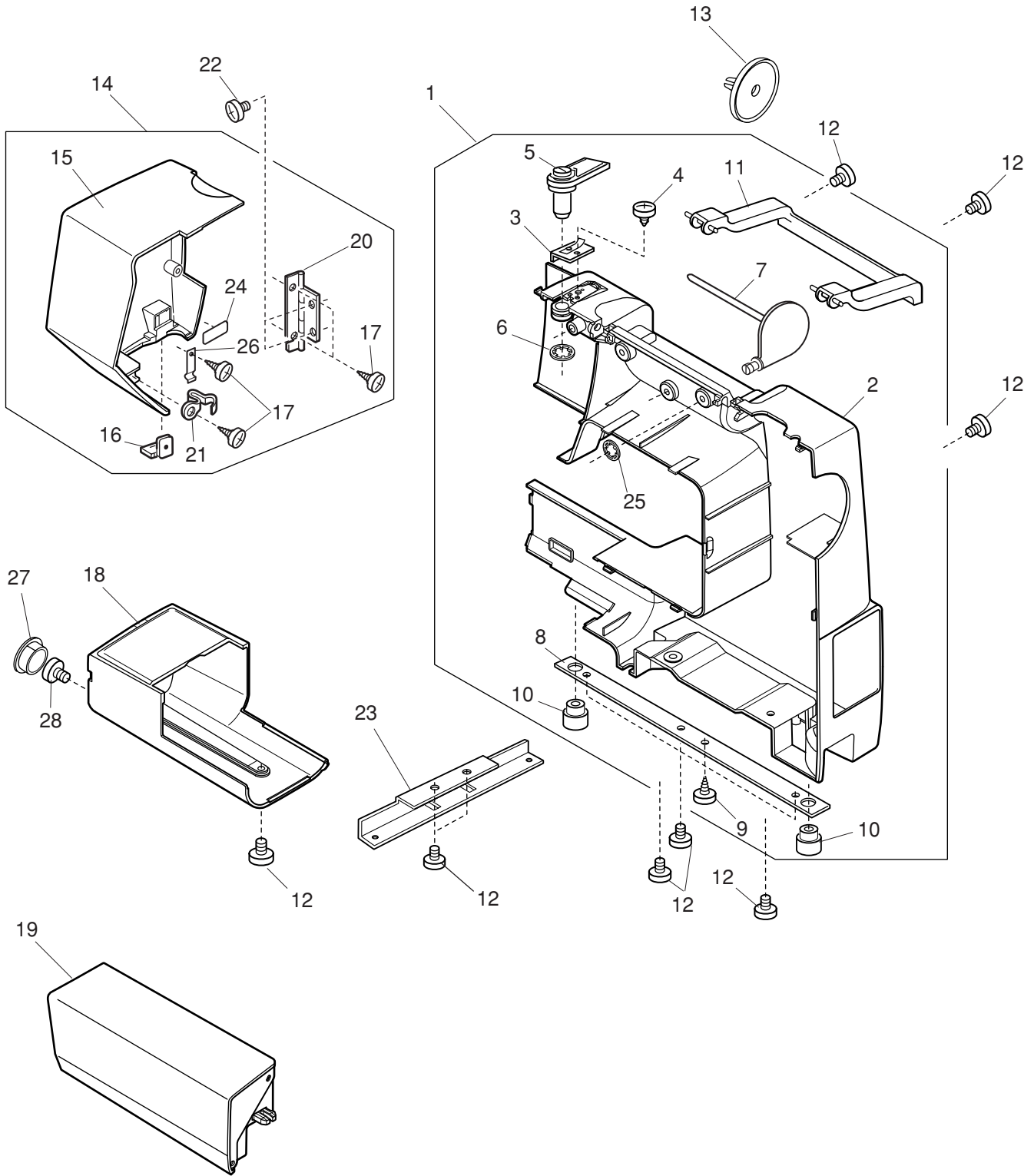
PARTS LIST



PARTS LIST

KEY NO.	PARTS NO.	DESCRIPTION
1	809608005	Presser foot pressure adjustment (unit)
2	809018002	Presser foot pressure adjusting set plate
3	808078203	Presser foot pressure dial
4	808079008	Adjusting arm 1
5	808080002	Adjusting arm 2
6	000002105	Snap ring E-3
7	000081005	Setscrew 4x8
8	809616006	Needle plate (unit)
9	681009101	Setscrew
10	809136100	Hook cover plate
11	808614001	Idler (unit)
12	808038005	Idler set plate
13	625217100	Idler
14	000002806	Snap ring E-6
15	000115607	Setscrew TP 4x8
16	809617007	Bobbin winder (unit)
17	809140004	Bobbin winder set plate
18	809505001	Bobbin winder arm (unit)
19	000001609	Snap ring E-5
20	809141005	Clutch lever
21	000120203	Setscrew 3x8 (B)
22	856512007	Switch (unit)
23	000081706	Setscrew 2.5x5
24	809147001	Spring
25	000013903	Snap ring CS-5
26	808617107	DC motor (unit)
27	808502108	DC motor (unit)
28	000115700	Setscrew TP 4x10
29	808639806	Switching regulator (unit)
30	808525303	Switching regulator (unit)
31	000103509	Setscrew 4x10
32	808504018	Printed circuit board P (unit)
33	808093101	Cord guide
34	000053008	Cord binder
35	809143007	Cam
36	809142006	Guide plate
37	000103808	Setscrew 3x5
38	809132003	Needle plate
39	809133004	Hook cover plate supporter
40	809134005	Hook cover plate supporter base
41	809135006	Guide holder
42	809137008	Cutter
43	000014306	Snap ring CS-3
44	825016000	Hook cover plate release button
45	825017001	Spring
46	809050006	Rotation stopper
47	000163703	Setscrew 2x3.5
48	820374004	Setscrew 2x2.3
49	809619009	Thread cutter holder (unit)
50	809144008	Thread cutter holder
51	822032003	Cutter
52	000014409	Snap ring CS-8
53	809118003	Bobbin winder cover
54	809148002	Cord guide

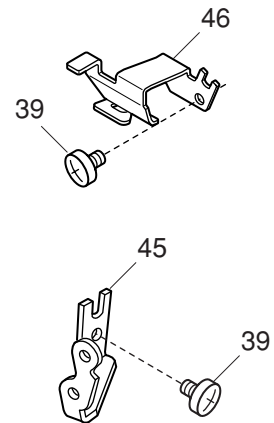
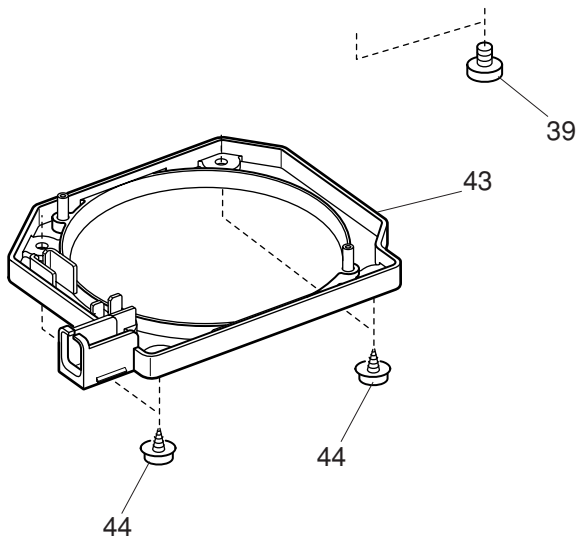
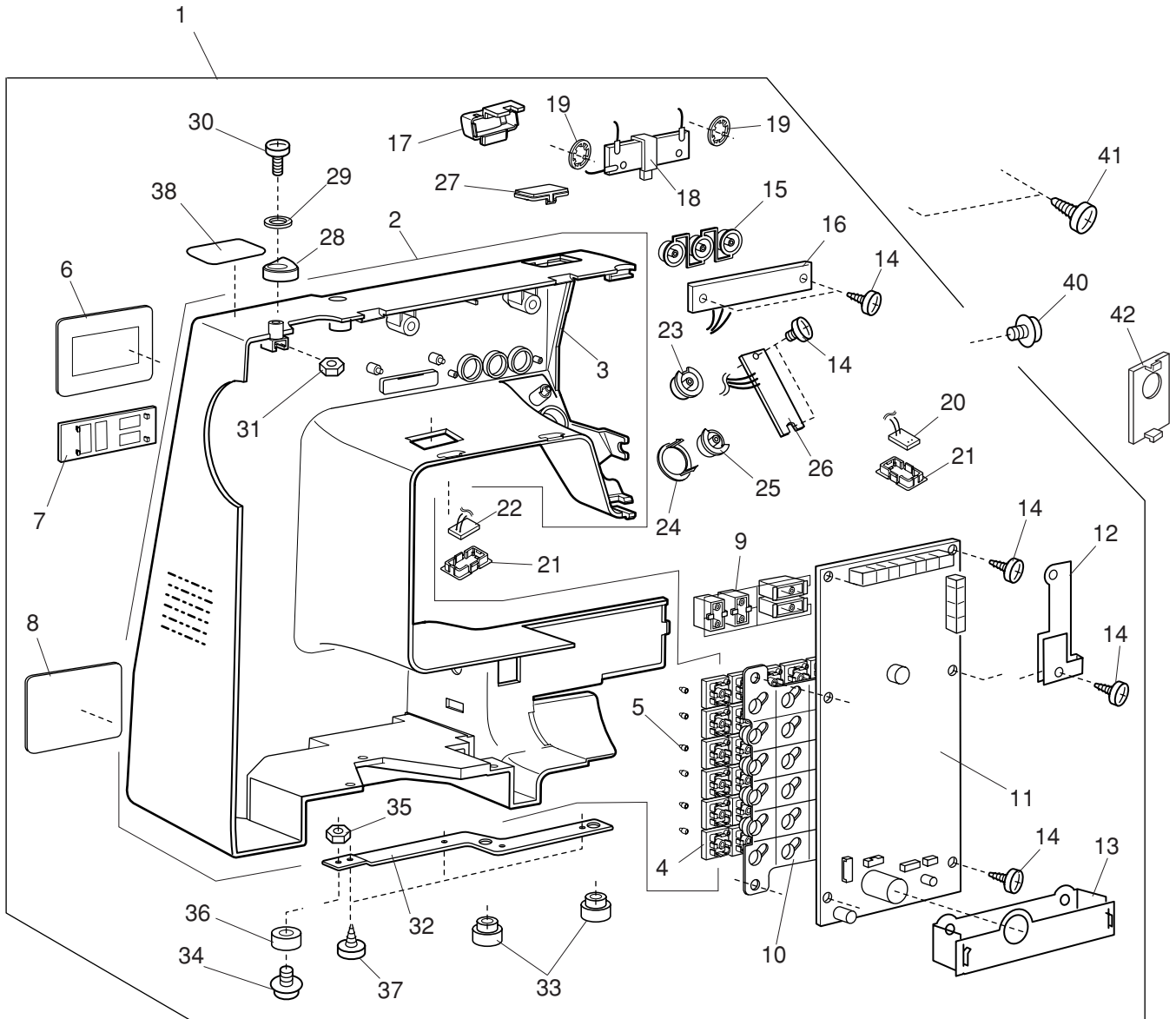
PARTS LIST



PARTS LIST

KEY NO.	PARTS NO.	DESCRIPTION
1	809610206	Rear cover (unit)
2	809104202	Rear cover
3	827503108	Top cover thread guide (unit)
4	000162001	Setscrew 2.6x5
5	650503089	Thread guide (unit)
6	000014409	Snap ring CS-8
7	809027004	Spool pin
8	809028005	Arm leg rear
9	000198604	Setscrew 4x14 (B)
10	735003002	Bed rubber cushion
11	809105007	Carrying handle
12	000081005	Setscrew 4x8
13	822020503	Spool holder
14	809613302	Face plate (unit)
15	809120307	Face plate
16	840602006	Thread cutter (unit)
17	000161206	Setscrew 3x10 (B)
18	809124002	Free arm cover
19	809507003	Extension table (unit)
20	843545009	Face plate hinge (unit)
21	731067002	Face plate spring
22	000081119	Setscrew 4x6
23	809024001	Arm sole set plate
24	830312016	Sticker
25	000013800	Snap ring CS-6
26	859233000	Spring
27	745033002	Cap
28	000101404	Setscrew 4x6

PARTS LIST

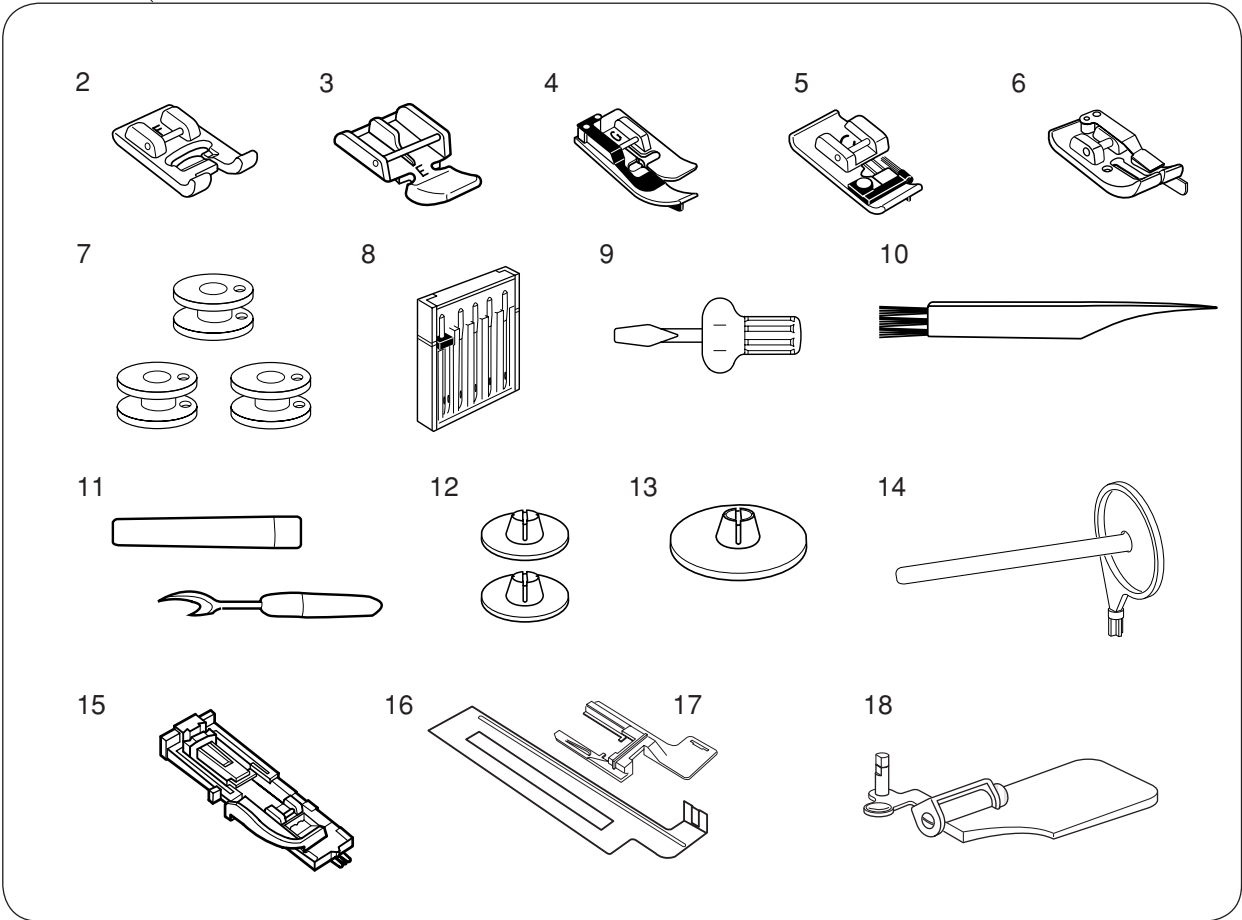


PARTS LIST

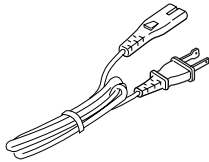
KEY NO.	PARTS NO.	DESCRIPTION
1	809611207	Front cover (unit)
2	809612301	Front cover (unit)
3	809106112	Front cover
4	809107009	Pattern select button
5	809108000	LED
6	809109126	Panel 1
7	809110304	Panel 2
8	809111121	Panel 3
9	809112203	Adjusting button
10	809123001	Pattern select button cushion
11	809504000	Printed circuit board A (unit)
12	809126004	Flame retardant insulating paper 1
13	809127005	Flame retardant insulating paper 2
14	000120203	Setscrew 3x8 (B)
15	809113101	Function button
16	809508004	Printed circuit board F2 (unit)
17	809114009	Slide volume
18	653507185	Slide volume (unit)
19	000014306	Snap ring CS-3
20	858511404	Printed circuit board L (unit)
21	860167006	Lamp holder 2
22	858511301	Printed circuit board L (unit)
23	809115103	Reverse stitch button
24	809116104	Start/stop button cover
25	809117116	Start/stop button
26	809510009	Printed circuit board F (unit)
27	809119004	Front cover lid
28	846177108	Bobbin winder stopper
29	000071013	Washer
30	000101828	Setscrew 4x16
31	000061205	Nut 4-3-7
32	809125003	Arm sole front
33	735003002	Rubber foot
34	000114802	Setscrew TP 4x12
35	000160102	Adjustable lock nut 4
36	639005003	Rubber foot
37	000198604	Setscrew 4x14 (B)
38	101505006	Sticker
39	000081005	Setscrew 4x8
40	000115205	Setscrew TP 4x6
41	000160401	Setscrew 4x16 (B)
42	809039009	Cap
43	808059301	Bed cover
44	000149312	Setscrew 3x8 (B)
45	639080002	Front cover set plate
46	808016007	Arm thread guide

PARTS LIST

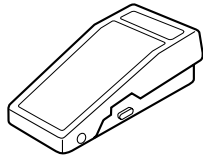
1



19



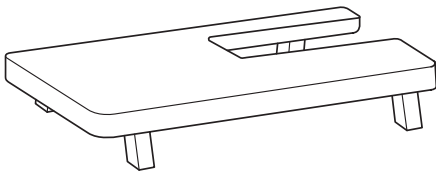
20



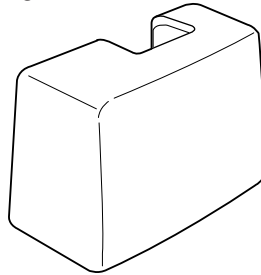
21



22



23



PARTS LIST

KEY NO.	PARTS NO.	DESCRIPTION
1	809870114	Standard accessories (unit)
2	822804118	Satin foot (F)
3	829801002	Zipper foot (E)
4	825817009	Blind hem foot (G)
5	822801001	Overedge foot (C)
6	200282004	1/4" seam foot
7	102261000	Bobbin
8	820827007	Assorted needle set
9	820832005	Screwdriver
10	802424004	Lint brush
11	647808009	Seam ripper (Buttonhole opener)
12	822019509	Spool holder (small)
13	822020503	Spool holder (large)
14	809146000	Spool pin
15	753801004	Buttonhole foot (R)
16	200428107	Stabilizer plate
17	200428406	Stabilizer plate holder
18	859401001	Optic magnifier
19	856519004	Power supply cord
20	C-1036	Foot control
21	809800490	Instruction book
22	808401106	Large extension table
23	404701002	Hard cover