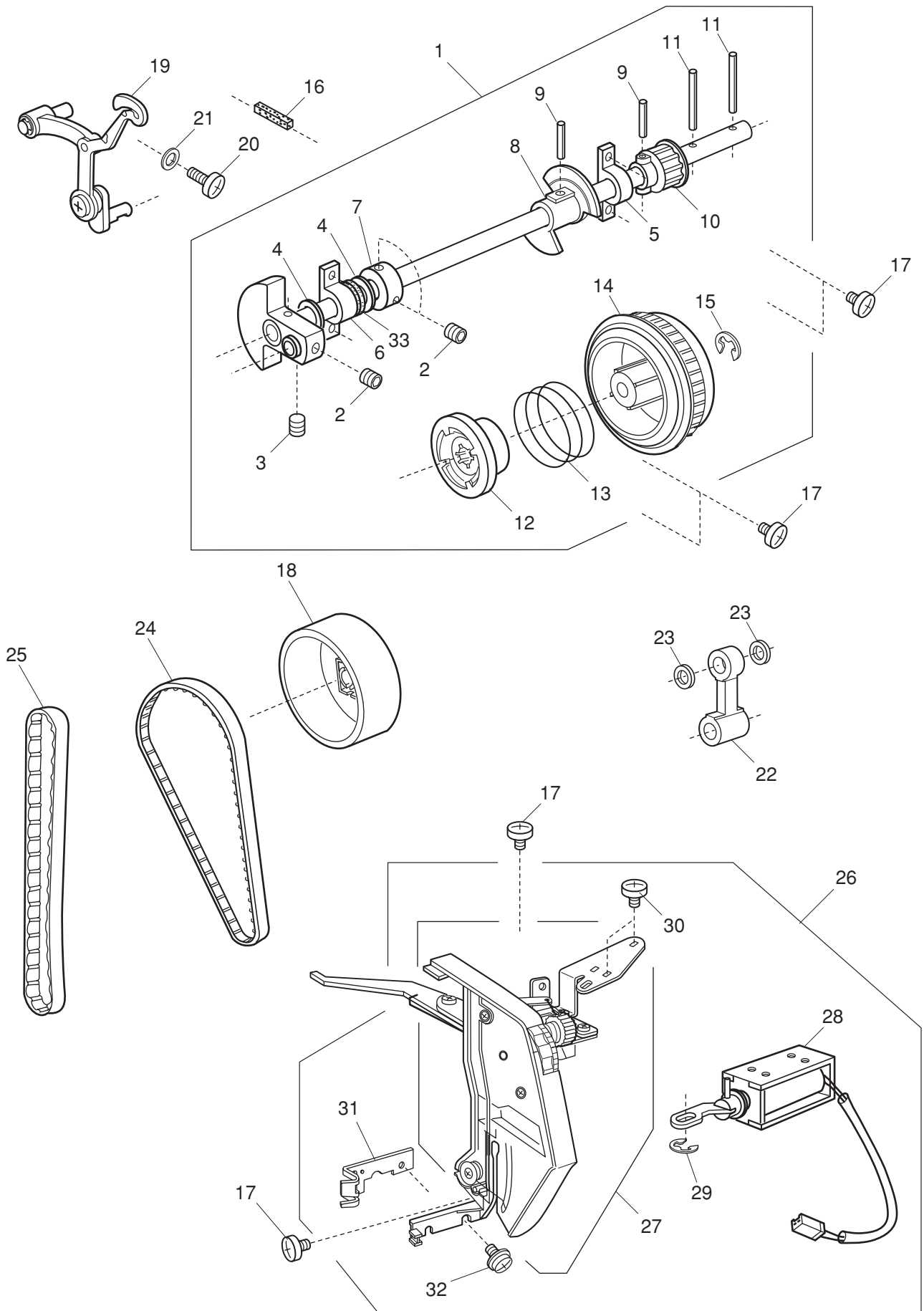


# **PARTS LIST**

**MODEL : EX60**

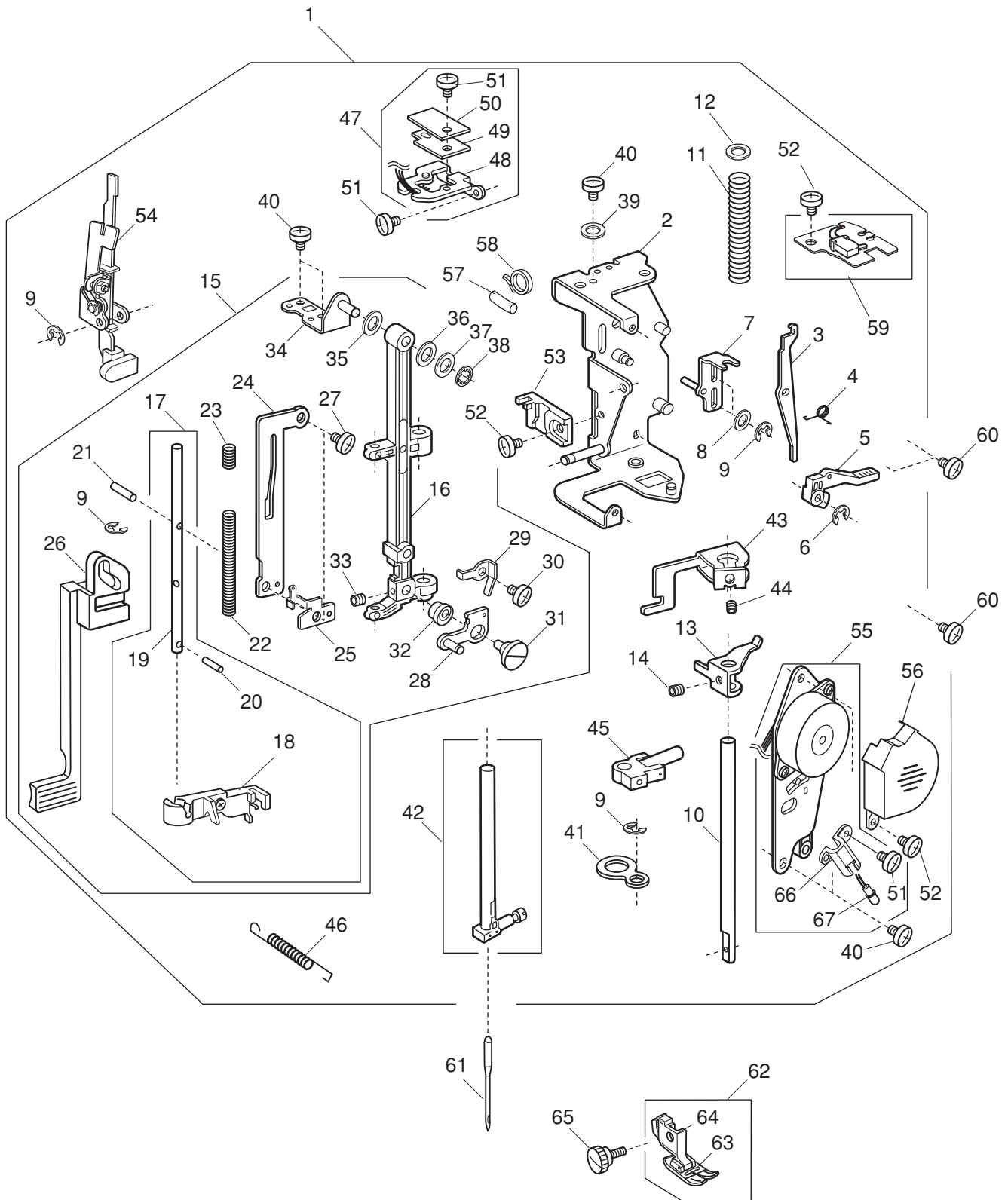
# PARTS LIST



## PARTS LIST

KEY NO.	PARTS NO.	DESCRIPTION
1	808601005	Upper shaft (unit)
2	000111201	Hexagonal socket screw 4x4
3	000112800	Hexagonal socket screw 4x6
4	000036201	Washer FT80
5	508054101	Shaft fixing metal
6	508120006	Shaft fixing metal
7	820166001	Lower shaft ring
8	808003001	Upper shaft shielding plate
9	000004200	Spring pin 3x18
10	508021006	Upper shaft gear
11	000024206	Spring pin 3x30
12	502064003	Clutch ring
13	661024007	Clutch spring
14	508055009	Belt wheel
15	000002806	Snap ring E-6
16	731312005	Felt
17	000081005	Setscrew 4x8
18	809100002	Handwheel
19	808648004	Thread take-up lever (unit)
20	000103509	Setscrew 4x10
21	000072302	Washer 4
22	808005003	Needle bar crank rod
23	000036005	Washer FT60
24	808021005	Timing belt
25	808037004	Belt
26	809642001	Thread tension (unit)
27	809528000	Thread tension (unit)
28	808604101	Solenoid (unit)
29	000002105	Snap ring E-3
30	000101105	Setscrew 3x4
31	809023000	Face plate spring supporter
32	000114709	Setscrew TP 3x6
33	731312005	Felt

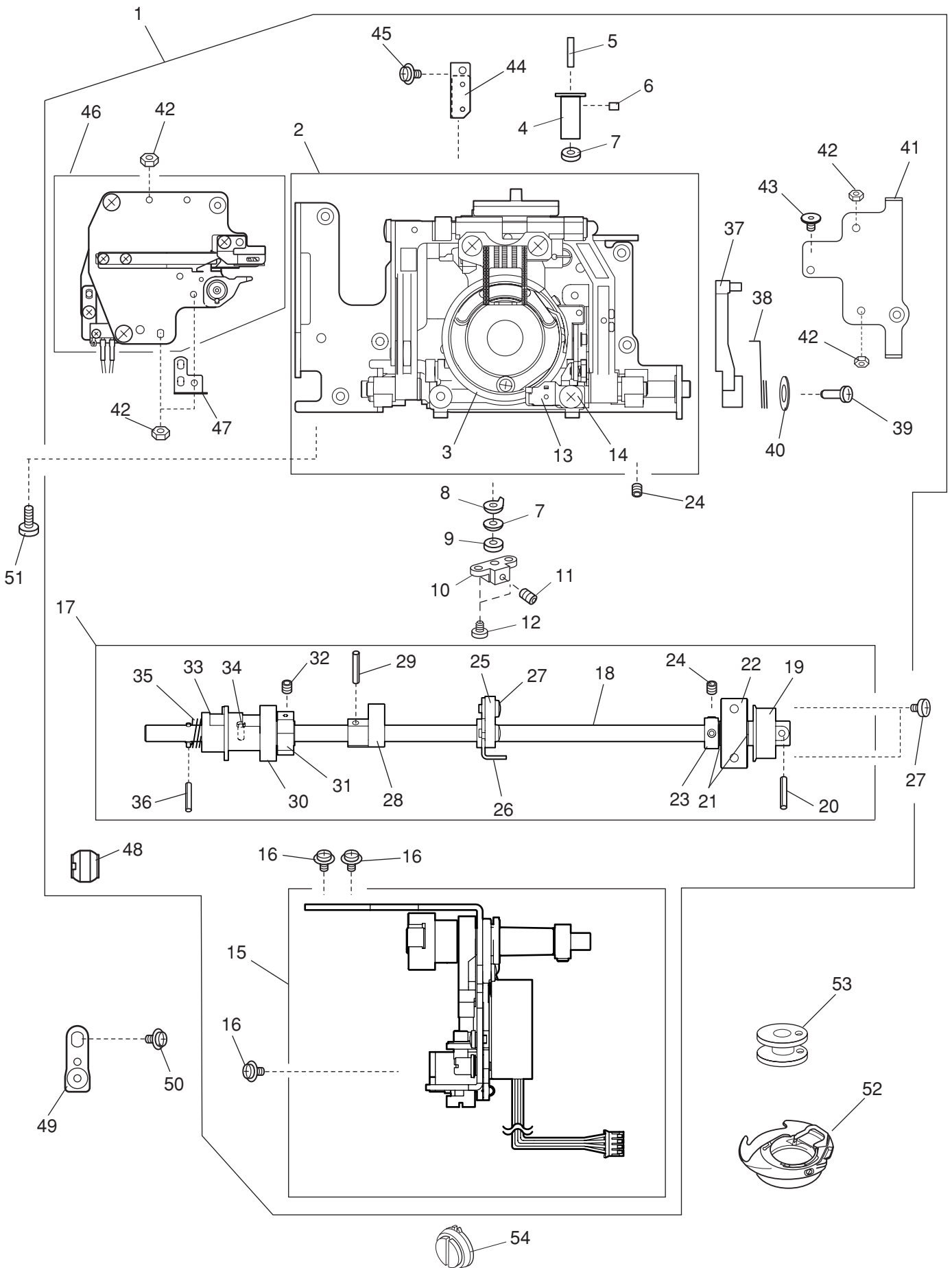
# PARTS LIST



# PARTS LIST

KEY NO.	PARTS NO.	DESCRIPTION
1	809614037	Presser bar base plate (unit)
2	808006406	Presser bar base plate
3	808007005	Thread tension release lever
4	503041007	Thread tension release spring
5	502024001	Presser foot lifter
6	000001609	Snap ring E-5
7	809128006	Presser bar spring adjusting plate
8	000072508	Washer 4
9	000002105	Snap ring E-3
10	827021107	Presser bar
11	830030006	Presser bar spring
12	826055004	Washer
13	809152009	Presser bar supporter
14	000111500	Hexagonal socket screw 4x8
15	809615005	Needle bar supporter (unit)
16	809129007	Needle bar supporter
17	842637006	Threader shaft (unit)
18	842638007	Threader plate (unit)
19	840036025	Threader shaft
20	000003508	Spring pin 2x8
21	000125105	Guide pin E-2x16-CH
22	842090001	Threader shaft spring
23	842096007	Threader lever spring
24	842091002	Threader guide plate
25	844036027	Threader lever plate
26	842092003	Threader lever
27	000078319	Setscrew 3x6
28	808015006	Zigzag width rod
29	827088009	Zigzag width rod spring
30	820373003	Setscrew 2x3
31	678084007	Eccentric pin
32	808074003	Washer
33	000111902	Hexagonal socket screw 3x4
34	808009007	Supporter adjusting plate
35	000036500	Washer FT60
36	673022002	Spring washer
37	000070609	Washer 6
38	000013903	Snap ring CS-5
39	000072003	Washer 5
40	000101404	Setscrew 4x6
41	808010001	Supporter guide plate
42	751564006	Needle bar (unit)
43	807018006	Threader position set plate
44	000177205	Hexagonal socket screw 3x6
45	809509005	Needle bar connecting stud (unit)
46	844038018	Needle bar supporter spring
47	808606206	Buttonhole sensor (unit)
48	845002005	Sensor set plate
49	843502808	Printed circuit board E1 (unit)
50	845029008	Insulation sheet
51	000101105	Setscrew 3x4
52	000103808	Setscrew 3x5
53	830057021	Buttonhole lever guide
54	843625004	Buttonhole lever (unit)
55	808605308	Zigzag width motor (unit)
56	809019003	Motor cover
57	809046009	Tube
58	000053008	Cord binder
59	808611101	Presser foot lift switch (unit)
60	000081005	Setscrew 4x8
61	102408089	Needle HA1-14
62	660509008	Presser foot (unit)
63	832523007	Zigzag foot
64	660806008	Presser foot holder
65	647112009	Setscrew
66	809529001	LED lamp (unit)
67	809153000	LED holder

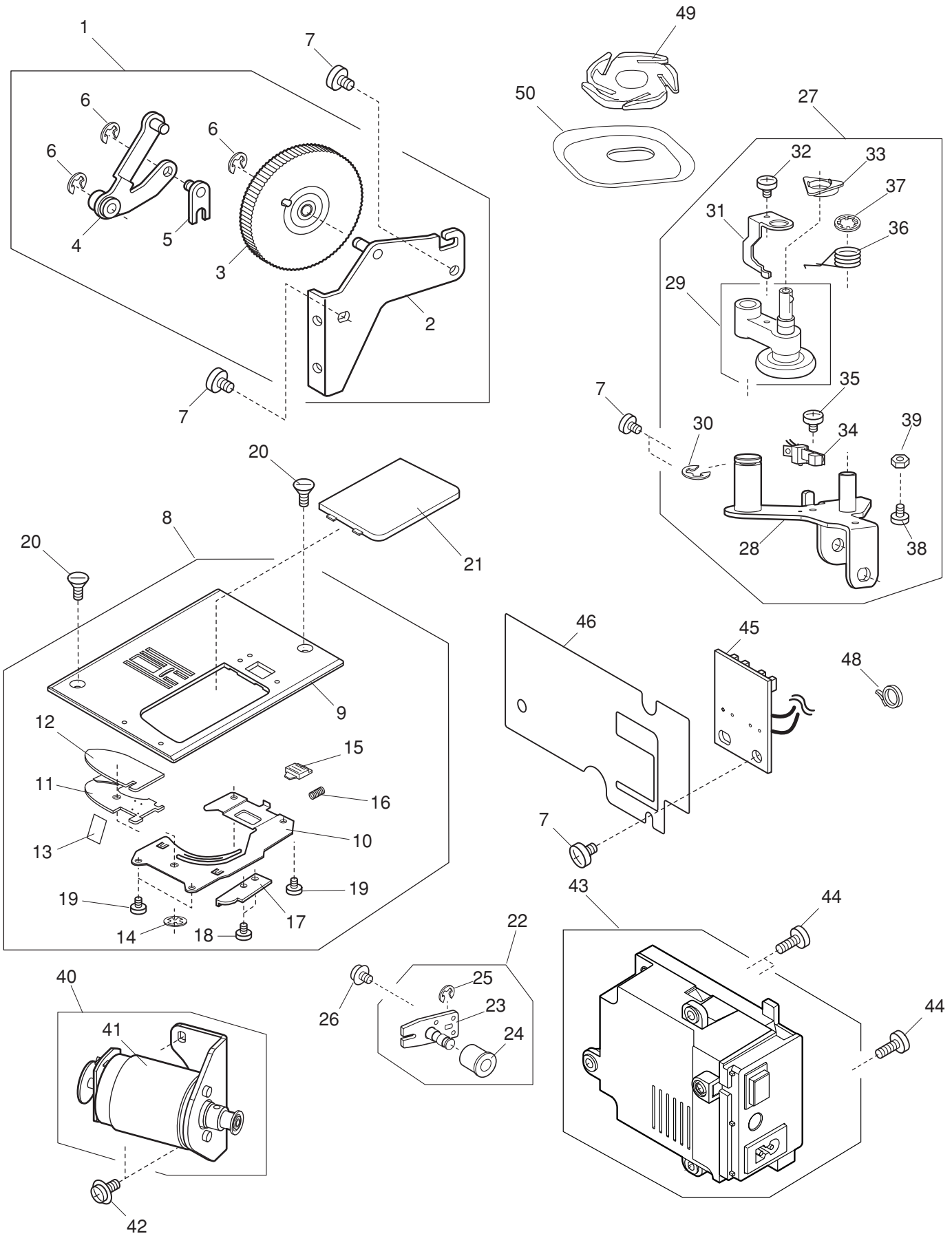
# PARTS LIST



# PARTS LIST

KEY NO.	PARTS NO.	DESCRIPTION
1	809620209	Hook race (whole unit)
2	809621004	Hook race (unit)
3	650623008	Hook body (unit)
4	820123006	Hook race shaft
5	820124007	Hook shaft oil wick (1)
6	820125008	Hook shaft oil wick (2)
7	000038409	Washer
8	627192001	Washer
9	625102008	Washer
10	508072002	Hook race shaft base
11	000111304	Hexagonal socket screw 5x5
12	000103705	Setscrew 4x5
13	846632003	Bobbin holder stopper (unit)
14	000107204	Setscrew 4x16
15	809607107	Feed motor (unit)
16	000115205	Setscrew TP 4x6
17	809602009	Lower shaft (unit)
18	808027207	Lower shaft
19	508021006	Upper shaft gear
20	000004200	Spring pin 3x18
21	000038502	Washer
22	508054008	Shaft fixing metal
23	820166001	Lower shaft ring
24	000111201	Hexagonal socket screw 4x4
25	809017001	Lower shaft supporter
26	809016000	Lower shaft supporter plate
27	000081005	Setscrew 4x8
28	809014008	Feed cam
29	000005407	Spring pin 3x12
30	808110002	Lower gear
31	508020005	Ring
32	000111108	Hexagonal socket screw 4x6
33	846103000	Feed lifting cam
34	820161006	Feed lifting pin
35	808075004	Feed lifting cam spring
36	000022802	Spring pin 2x12
37	809013007	Feed fork
38	809015009	Feed fork spring
39	820172000	Pin
40	000071105	Washer
41	809021008	Needle plate set plate (right)
42	000063104	Nut 3-2-5.5
43	000193104	Thin-head setscrew TP 3x4
44	825515004	Feed base plate (unit)
45	825237009	Setscrew
46	809623109	Thread cutter (unit)
47	808105107	Slide position adjusting plate
48	732034003	Lower shaft bushing
49	809042005	Lower shaft bushing set plate
50	000115607	Setscrew TP 4x8
51	000101703	Setscrew 4x12
52	858570009	Bobbin holder (unit)
53	102261000	Bobbin
54	809053009	Feedbalancing dial 2

# PARTS LIST

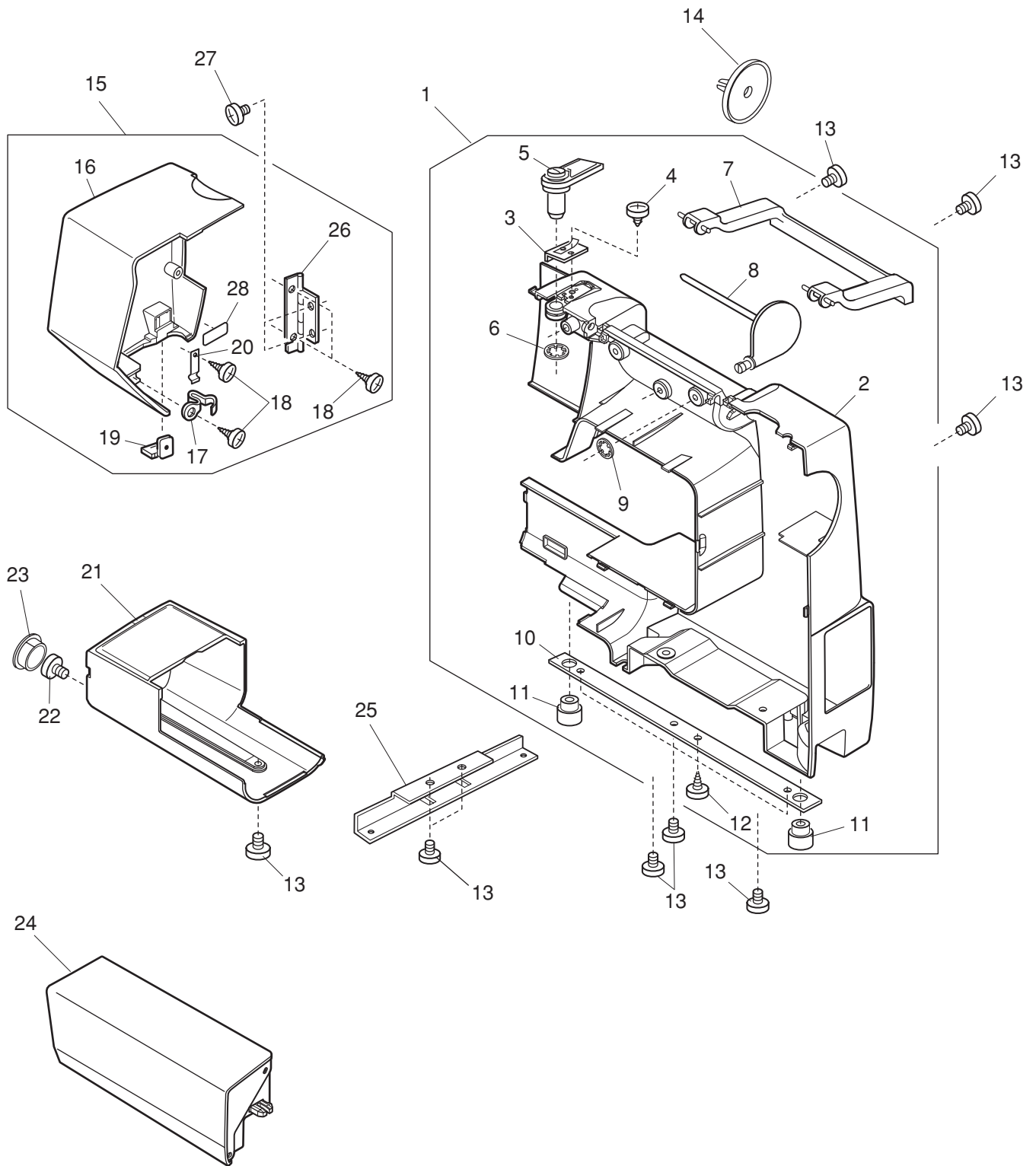




# PARTS LIST

KEY NO.	PARTS NO.	DESCRIPTION
1	809608005	Presser foot pressure adjustment (unit)
2	809018002	Presser foot pressure adjusting set plate
3	808078203	Presser foot pressure dial
4	808079008	Adjusting arm 1
5	808080002	Adjusting arm 2
6	000002105	Snap ring E-3
7	000081005	Setscrew 4x8
8	809616006	Needle plate (unit)
9	809132003	Needle plate
10	809133004	Hook cover plate supporter
11	809134005	Hook cover plate supporter base
12	809135006	Guide holder
13	809137008	Cutter
14	000014306	Snap ring CS-3
15	825016000	Hook cover plate release button
16	825017001	Spring
17	809050006	Rotation stopper
18	000163703	Setscrew 2x3.5
19	820374004	Setscrew 2x2.3
20	681009101	Setscrew
21	809136100	Hook cover plate
22	808614001	Idler (unit)
23	808038005	Idler set plate
24	625217100	Idler
25	000002806	Snap ring E-6
26	000115607	Setscrew TP 4x8
27	809617007	Bobbin winder (unit)
28	809140004	Bobbin winder set plate
29	809505001	Bobbin winder arm (unit)
30	000001609	Snap ring E-5
31	809141005	Clutch lever
32	000120203	Setscrew 3x8 (B)
33	809143007	Cam
34	856512007	Switch (unit)
35	000081706	Setscrew 2.5x5
36	809147001	Spring
37	000013903	Snap ring CS-5
38	809054000	Setscrew
39	000063104	Nut
40	808617118	DC motor (unit)
41	808502119	DC motor (unit)
42	000115700	Setscrew TP 4x10
43	808639149	Switching regulator (unit)
44	000103509	Setscrew 4x10
45	808504018	Printed circuit board P (unit)
46	808093101	Cord guide
47	000053008	Cord binder
48	862647001	Thread cutter holder (unit)
49	809118003	Bobbin winder cover

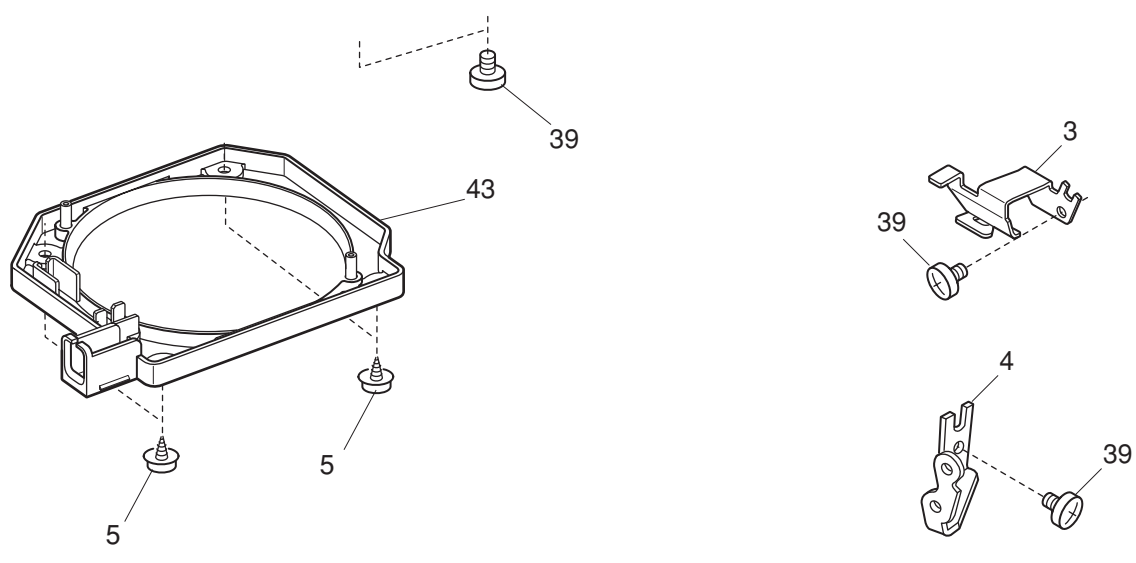
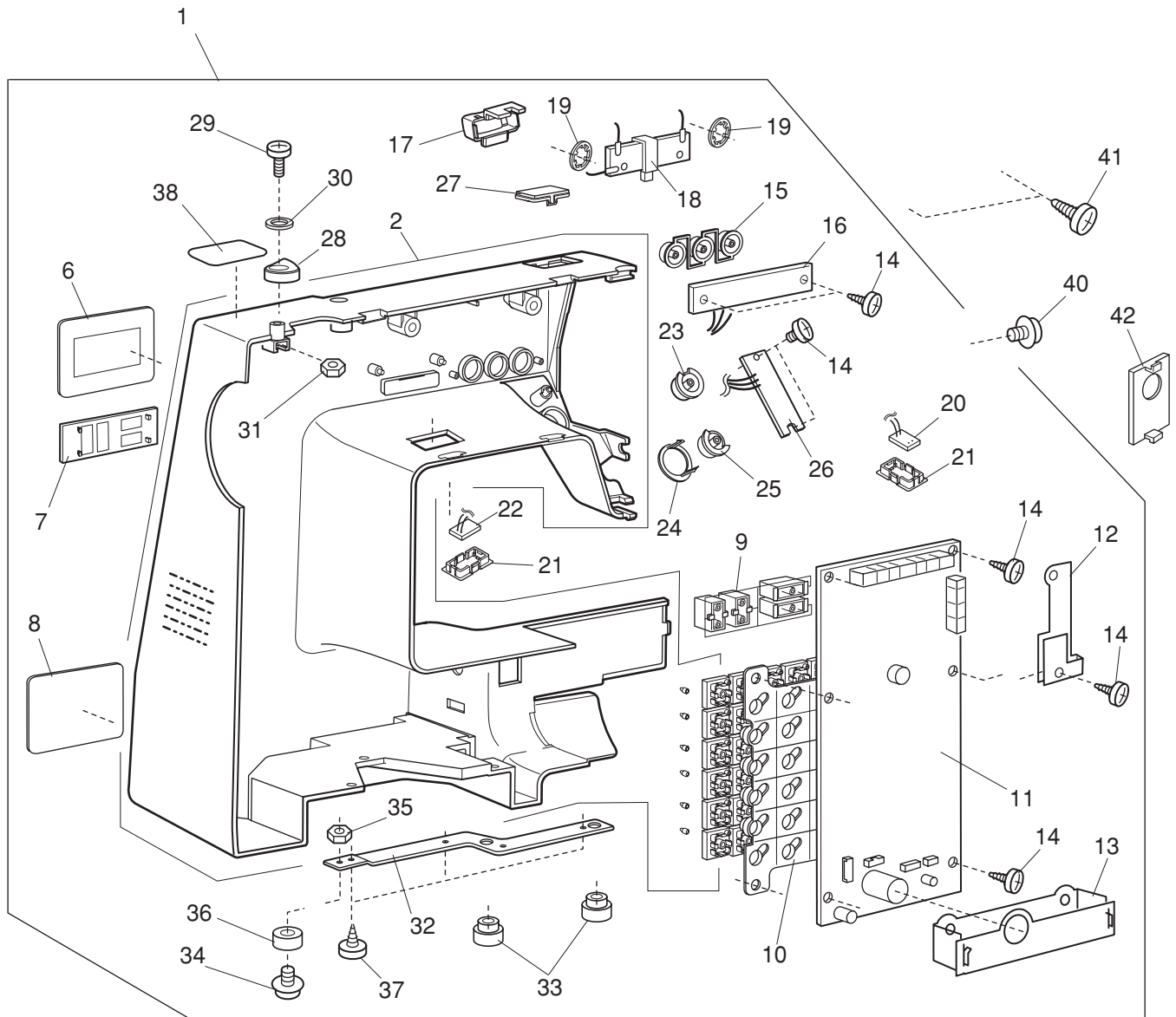
# PARTS LIST



## PARTS LIST

KEY NO.	PARTS NO.	DESCRIPTION
1	809610505	Rear cover (unit)
2	809104408	Rear cover
3	827503108	Top cover thread guide (unit)
4	000162001	Setscrew 2.6x5
5	650503089	Thread guide (unit)
6	000014409	Snap ring CS-8
7	809105007	Carrying handle
8	809027004	Spool pin
9	000013800	Snap ring CS-6
10	809028005	Arm leg rear
11	735003002	Bed rubber cushion
12	000198604	Setscrew 4x14 (B)
13	000081005	Setscrew 4x8
14	822020503	Spool holder
15	809613302	Face plate (unit)
16	809120307	Face plate
17	731067002	Face plate spring
18	000161206	Setscrew 3x10 (B)
19	840602006	Thread cutter (unit)
20	859233000	Spring
21	809124002	Free arm cover
22	000101404	Setscrew 4x6
23	745033002	Cap
24	809507003	Extension table (unit)
25	809024001	Arm sole set plate
26	843545009	Face plate hinge (unit)
27	000081119	Setscrew 4x6
28	830312016	Caution sticker

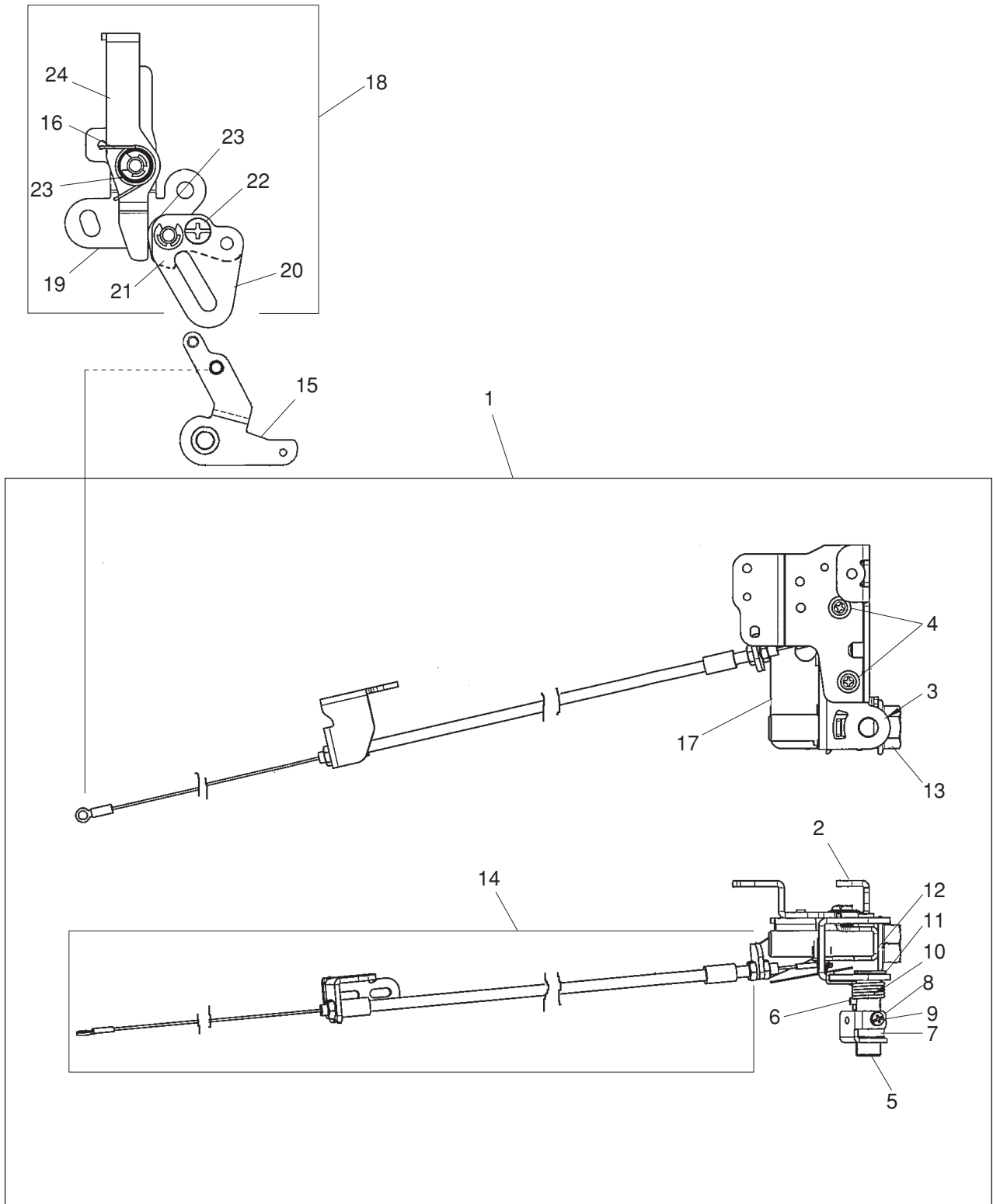
# PARTS LIST



# PARTS LIST

KEY NO.	PARTS NO.	DESCRIPTION
1	809611311	Front cover (unit)
2	809645509	Front cover (unit)
3	808016007	Arm thread guide
4	639080002	Front cover set plate
5	000149312	Setscrew 3x8 (B)
6	809109218	Panel 1
7	809110108	Panel 2
8	809173800	Panel 3
9	809112306	Adjusting button
10	809123001	Pattern select button cushion
11	809504206	Printed circuit board A (unit)
12	809126004	Flame retardant insulating paper 1
13	809127005	Flame retardant insulating paper 2
14	000120203	Setscrew 3x8 (B)
15	809113101	Function button
16	809508004	Printed circuit board F2 (unit)
17	809114009	Slide volume
18	653507185	Slide volume (unit)
19	000014306	Snap ring CS-3
20	858511806	Printed circuit board L (unit)
21	860167006	Lamp holder 2
22	858511301	Printed circuit board L (unit)
23	809115103	Reverse stitch button
24	809116104	Start/stop button cover
25	809117116	Start/stop button
26	809510009	Printed circuit board F (unit)
27	809119004	Front cover lid
28	846177108	Bobbin winder stopper
29	000101828	Setscrew 4x16
30	000071013	Washer
31	000061205	Nut 4-3-7
32	809125003	Arm sole front
33	735003002	Rubber foot
34	000114802	Setscrew TP 4x12
35	000160102	Adjustable lock nut 4
36	639005003	Rubber foot
37	000198604	Setscrew 4x14 (B)
38	101505006	Sticker
39	000081005	Setscrew 4x8
40	000115205	Setscrew TP 4x6
41	000160401	Setscrew 4x16 (B)
42	809039009	Cap
43	808059301	Bed cover

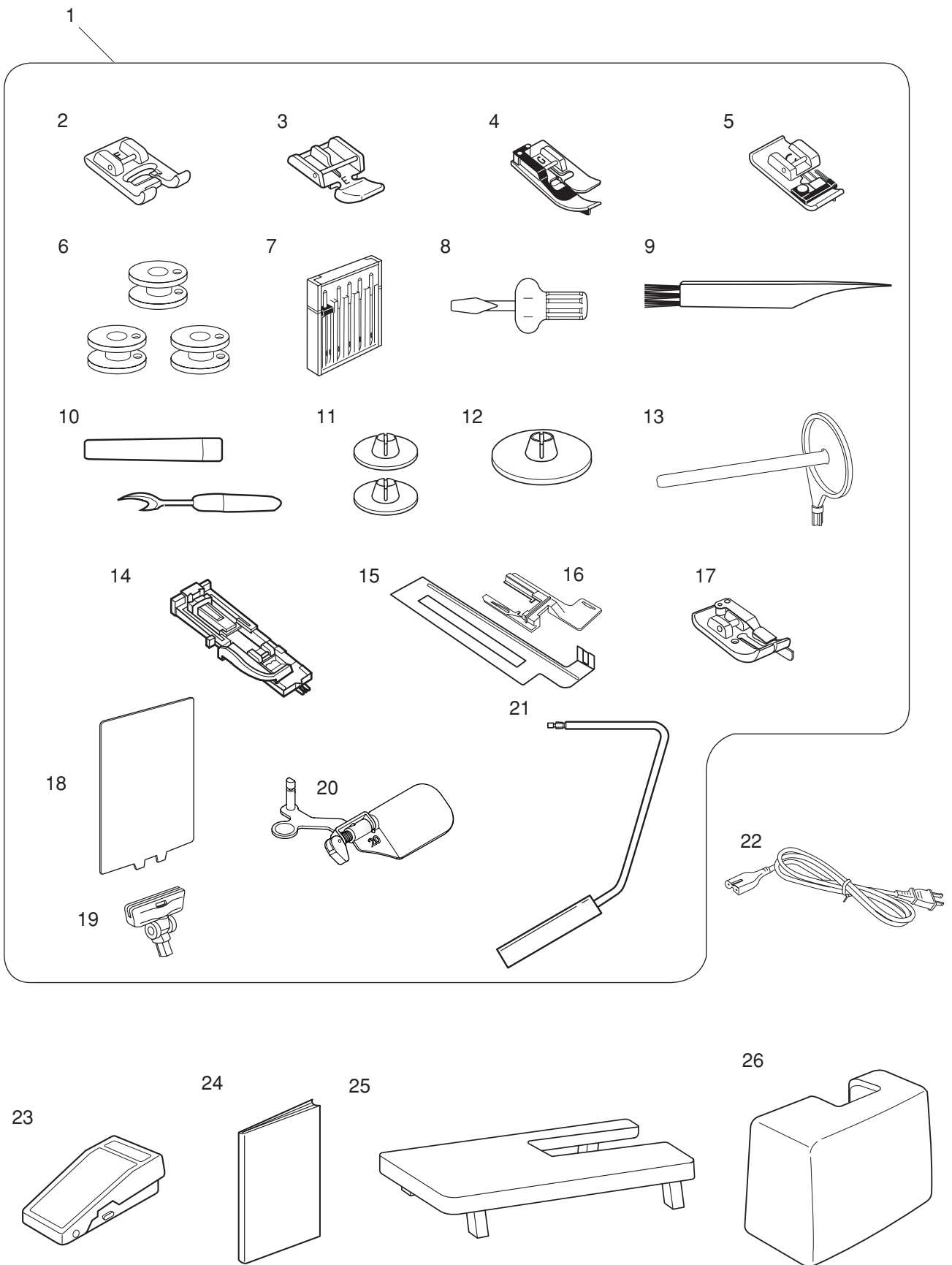
# PARTS LIST



# PARTS LIST

KEY NO.	PARTS NO.	DESCRIPTION
1	809643002	Knee lift shaft (unit)
2	809154001	Knee lifter base 1
3	809155002	Knee lifter base 2
4	000115205	Setscrew TP 4x6
5	809156003	Knee lift shaft
6	000004107	Pin
7	846297002	Stop escaping
8	861072006	Stop escaping plate
9	000101105	Setscrew 3x4
10	809157004	Knee lift shaft spring
11	000030205	Snap ring E-8
12	809158005	Knee lift link plate
13	000138503	Bolt 5x12
14	809647006	Wire (unit)
15	809163003	Knee lift arm
16	809170003	Thread release link spring
17	809161001	Cord guide
18	809644003	Link to loosen thread (unit)
19	809166006	Thread tension release base
20	809167007	Thread release cam guide
21	809168008	Thread release cam
22	000101105	Setscrew 3x4
23	000002105	Snap ring E-3
24	809169009	Thread tension release link

# PARTS LIST





## PARTS LIST

KEY NO.	PARTS NO.	DESCRIPTION
1	809870228	Standard accessories (unit)
2	822804118	Satin foot (F)
3	829801002	Zipper foot (E)
4	825817009	Blind hem foot (G)
5	822801001	Overedge foot (C)
6	102261000	Bobbin
7	820827007	Assorted needle set
8	820832005	Screwdriver
9	802424004	Lint brush
10	647808009	Seam ripper (Buttonhole opener)
11	822019509	Spool holder (small)
12	822020503	Spool holder
13	809146000	Spool pin
14	753801004	Buttonhole foot (R)
15	200428118	Stabilizer plate
16	200428406	Stabilizer plate holder
17	200282004	1/4" Seam foot
18	809801505	Stitch chart
19	809832000	Stitch chart base
20	859401012	Optic magnifier
21	846811008	Knee lifter
22	85651900 4	Power supply cord
23	C-1036	Foot control
24	809800892	Instruction book
25	808401106	Large extension table
26	404701404	Hard cover