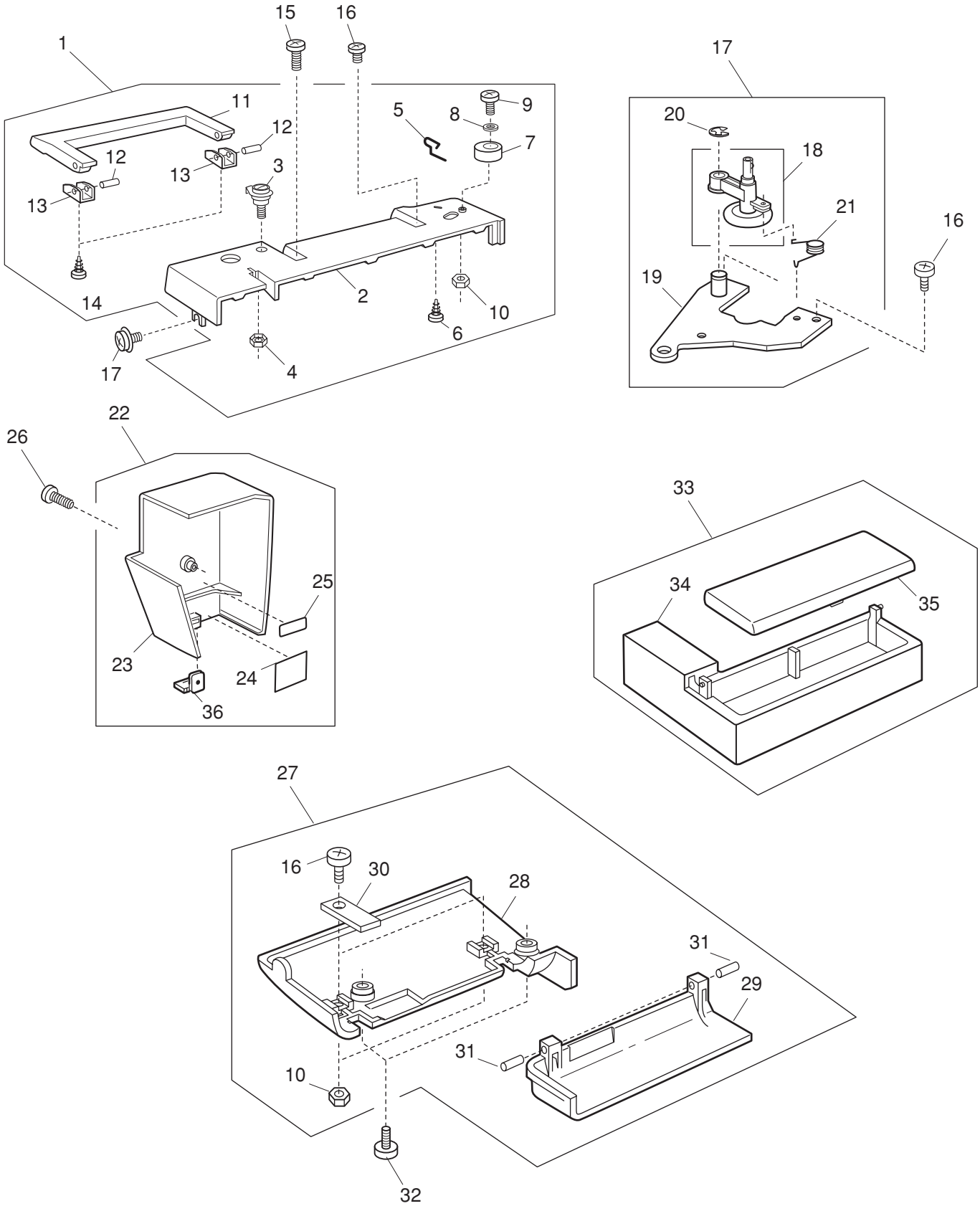


PARTS LIST

MODEL: HD22

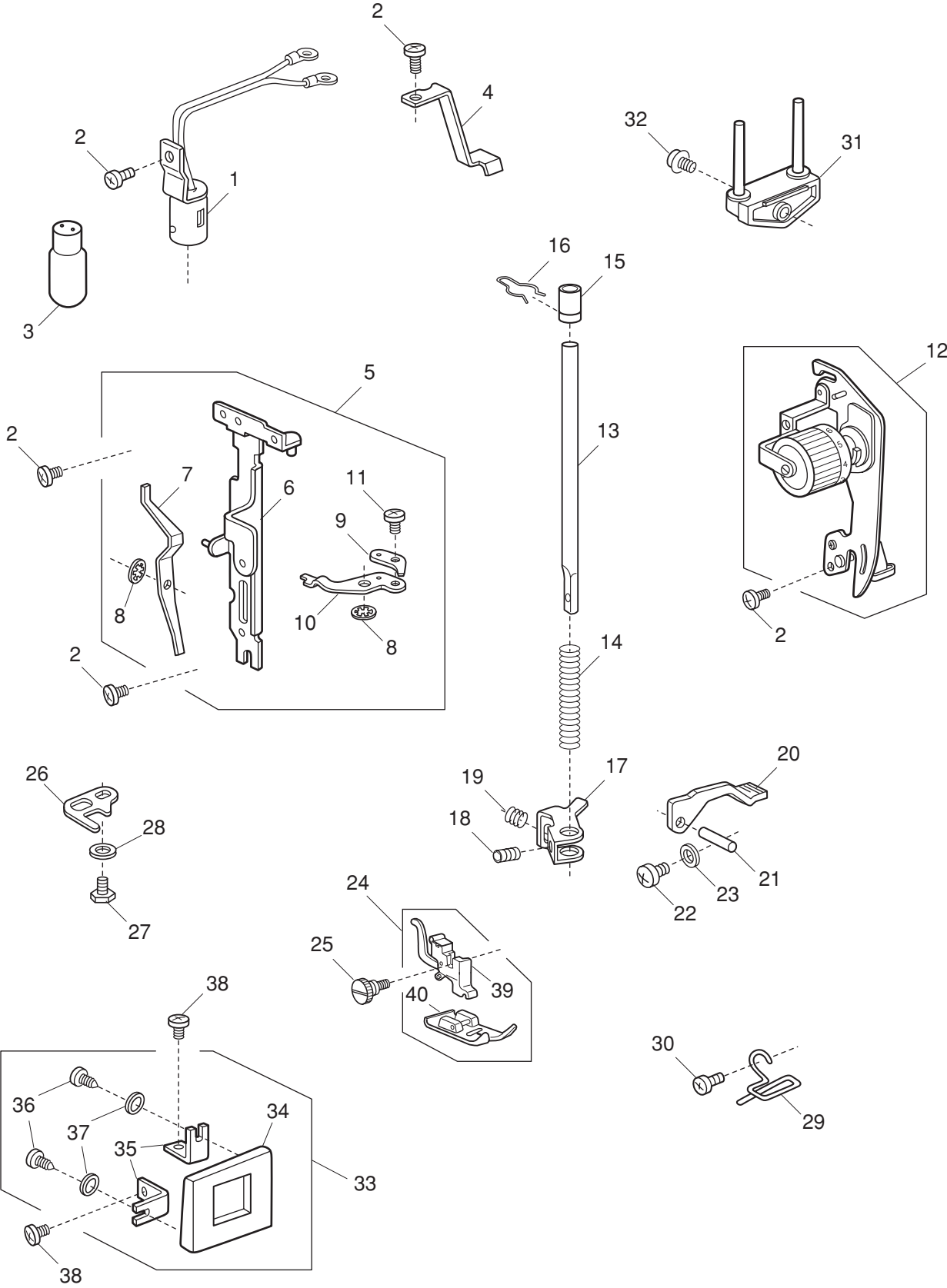
PARTS LIST



PARTS LIST

KEY NO.	PARTS NO.	DESCRIPTION
1	721609399	Top cover (unit)
2	721020600	Top cover
3	730501011	Thread guide plate (unit)
4	000160102	Adjustable lock nut
5	731004001	Top cover thread guide
6	000109000	Setscrew 3x6
7	652016101	Bobbin winder stopper
8	000071013	Washer 4
9	000101828	Setscrew 4x16
10	000061205	Nut 4-3-7
11	731005208	Handle
12	730015002	Carrying handle shaft
13	730016003	Set plate
14	000107204	Setscrew 3x12 (B)
15	000104108	Setscrew 4x20
16	000101404	Setscrew 4x6
17	730604107	Bobbin winder (unit)
18	730502104	Bobbin winder arm (unit)
19	730018108	Bobbin winder set plate
20	000002806	Snap ring E-6
21	730019006	Bobbin winder spring
22	721602026	Face plate (unit)
23	721008509	Face plate
24	366076000	Face plate sticker
25	100411104	Lamp sticker
26	000101828	Setscrew 4x20
27	730601403	Bed cover (unit)
28	730004307	Bed cover
29	730005308	Bed lid
30	730006000	Spring
31	000021409	Spring pin 2.5x10 (K)
32	000101703	Setscrew 4x12
33	731502200	Extension table (unit)
34	731050208	Extension table
35	731051209	Extension table lid
36	840602006	Thread cutter

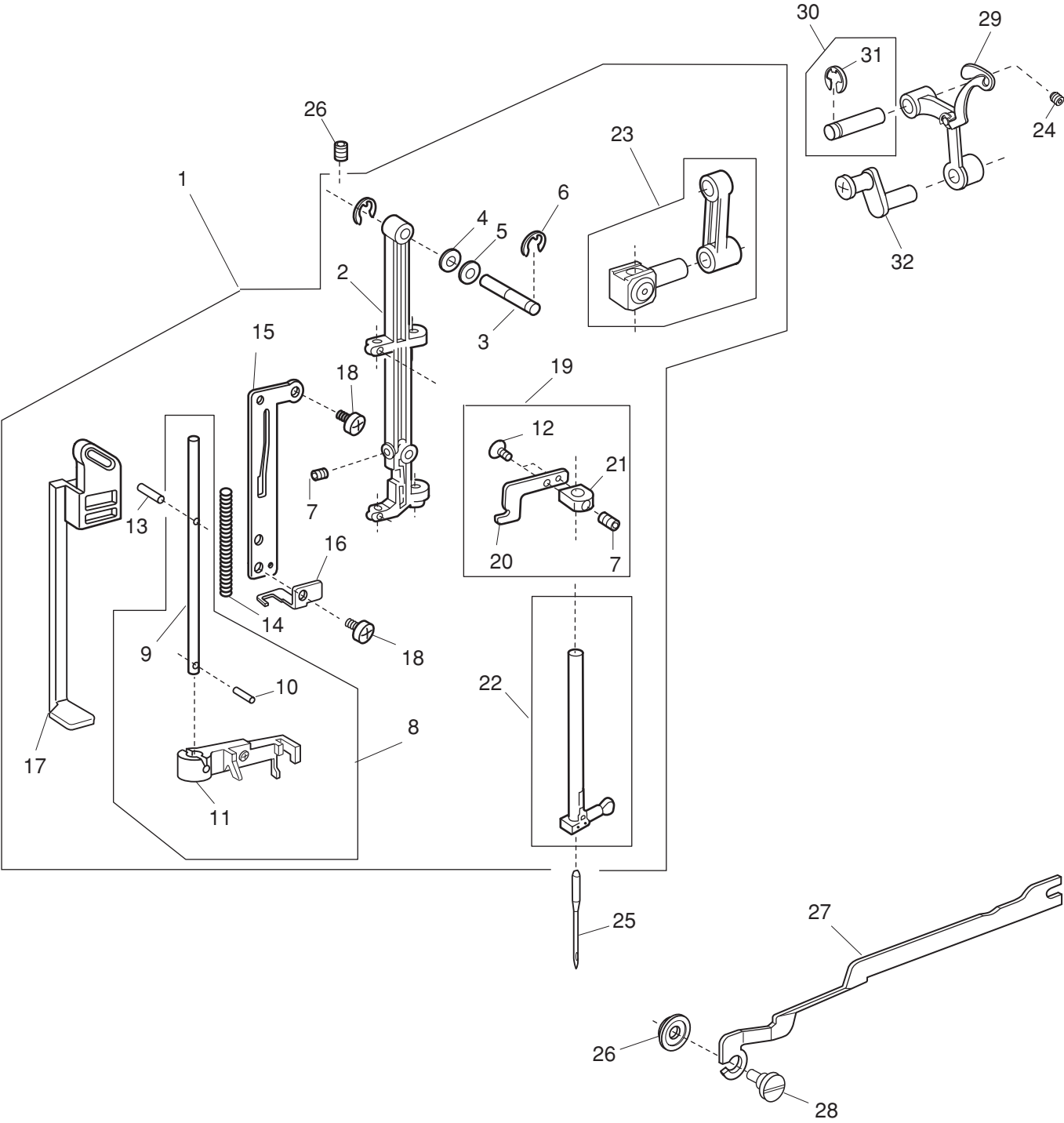
PARTS LIST



PARTS LIST

KEY NO.	PARTS NO.	DESCRIPTION
1	647510001	Lamp socket (unit)
2	000101404	Setscrew 4x6
3	000009803	Lamp 120V 15W BA15D
4	693047005	Cord holder
5	731636101	Front bracket (unit)
6	731099106	Front bracket
7	730029009	Thread tension release lever
8	000013903	Snap ring CS-5
9	730030003	Thread tension release plate (1)
10	730031004	Thread tension release plate (2)
11	000103808	Setscrew 3x5
12	721502519	Thread tension (unit)
13	303017008	Presser bar
14	730026006	Presser bar spring
15	802021007	Presser bar bushing
16	802022008	Snap retainer
17	822069009	Presser bar supporter
18	000111500	Hexagonal socket screw 4x8
19	102222009	Spring
20	822071004	Presser foot lifter
21	822072005	Presser foot lifter pin
22	000103509	Setscrew 4x10
23	000072302	Washer 4
24	611520003	Presser foot (unit)
25	647112009	Thumbscrew
26	680036001	Stopper
27	000066303	Hexagonal bolt 4x6
28	000070506	Washer 4
29	731009006	Arm thread guide
30	000100300	Setscrew 3.5x5
31	731006209	Spool stand
32	000115700	Setscrew TP 4x10
33	721603201	Front cover (unit)
34	721010205	Front cover
35	721011000	Face plate stopper plate
36	000120203	Setscrew 3x8 (B)
37	000070104	Washer
38	000103004	Setscrew 3.5x6
39	611510000	Foot holder (unit)
40	611511001	Zigzag foot (unit)

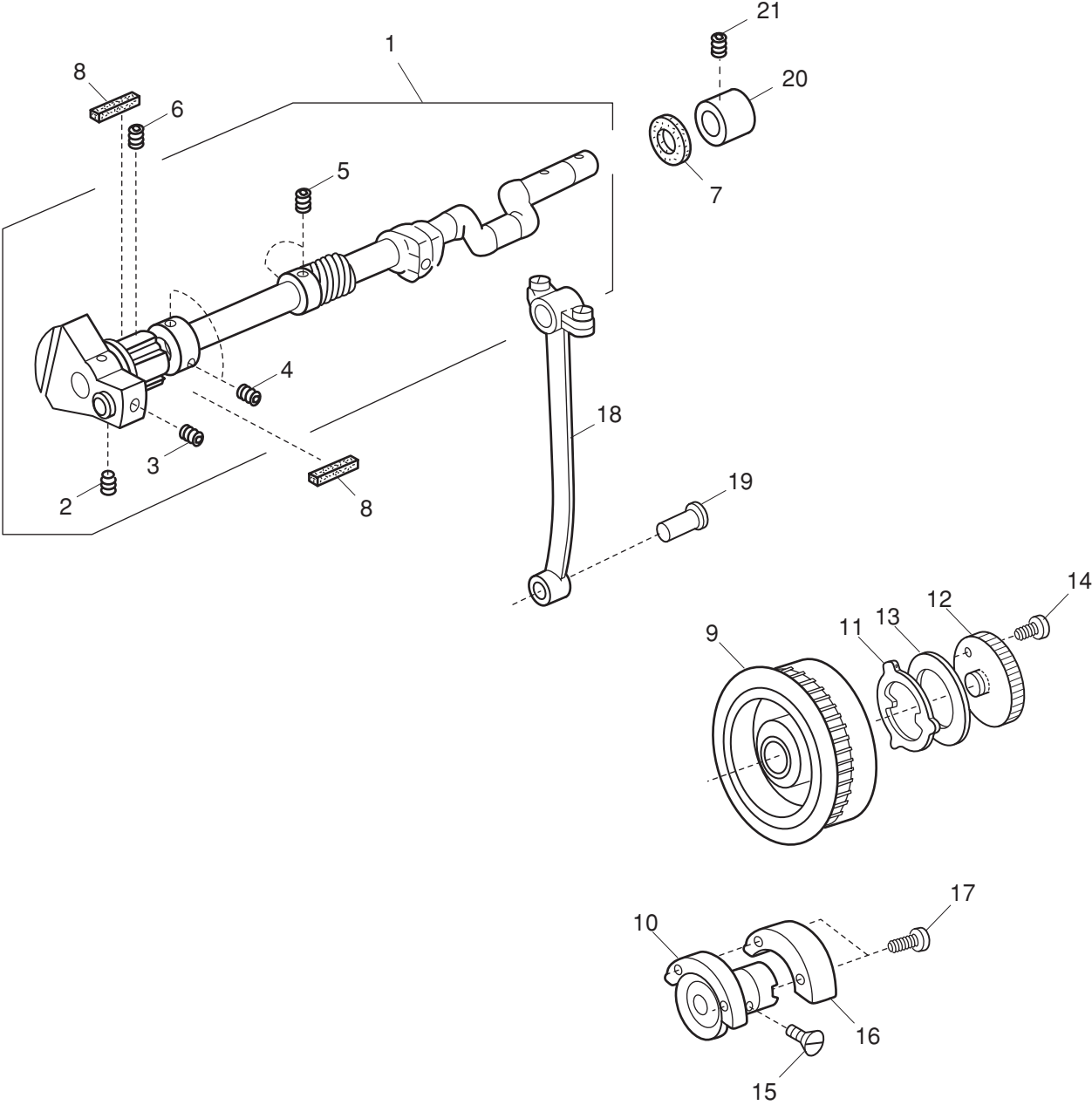
PARTS LIST



PARTS LIST

KEY NO.	PARTS NO.	DESCRIPTION
1	303604101	Needle bar supporter (unit)
2	303020107	Needle bar supporter
3	730022002	Needle bar supporter pin
4	673022002	Spring washer
5	000070609	Plain washer 6
6	000002507	Snap ring E-4
7	000111902	Hexagonal socket screw 3x4
8	303605009	Needle threader shaft (unit)
9	303016007	Needle threader shaft
10	000003508	Spring pin
11	755643002	Needle threader guard plate (unit)
12	000097602	Setscrew 2x4
13	000125105	Grooved pin
14	840035002	Needle threader spring
15	303064000	Needle threader guide plate
16	840037004	Needle threader lever supp.
17	840034001	Needle threader lever
18	000078319	Setscrew 3x6
19	734625003	Threader positioning setting plate (unit)
20	734101008	Threader positioning setting plate
21	734102009	Threader positioning setting base plate
22	730503013	Needle bar (unit)
23	639516002	Needle bar connecting stud (unit)
24	000111304	Hexagonal socket screw 5x5
25	102408089	Needle HA1-14
26	748021006	Zigzag rod washer
27	730023003	Zigzag rod
28	678084007	Eccentric pin
29	625506109	Thread take-up lever (unit)
30	731511006	Thread take-up lever pin (unit)
31	000002806	Snap ring E-6
32	730509008	Needle bar crank pin (unit)

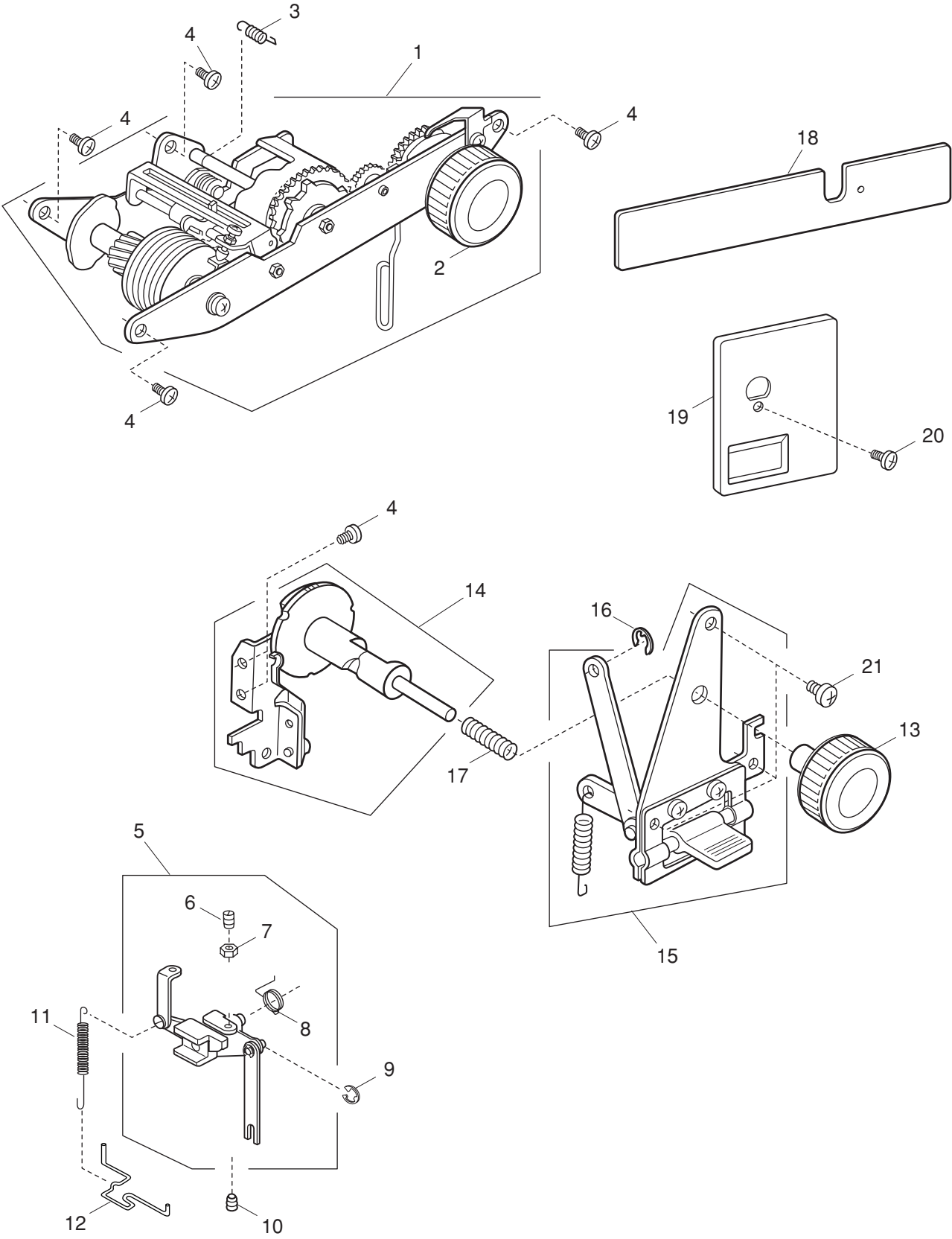
PARTS LIST



PARTS LIST

KEY NO.	PARTS NO.	DESCRIPTION
1	731604007	Upper shaft (unit)
2	102073003	Screw
3	102063000	Screw
4	000111304	Hexagonal socket screw 5x5
5	553245008	Hexagonal socket screw
6	000110303	Hexagonal socket screw 4x6
7	735143005	Felt
8	731312005	Felt
9	730036308	Handwheel
10	730037000	Handwheel bushing
11	102076006	Motion washer
12	647036400	Motion screw
13	647037009	Washer
14	102078101	Setscrew
15	671106005	Setscrew
16	640008000	Balance weight
17	000105202	Setscrew 3x12
18	738634007	Crank rod (unit)
19	735064001	Crank rod pin
20	671021005	Upper shaft rear bushing
21	000111108	Hexagonal socket screw 4x6

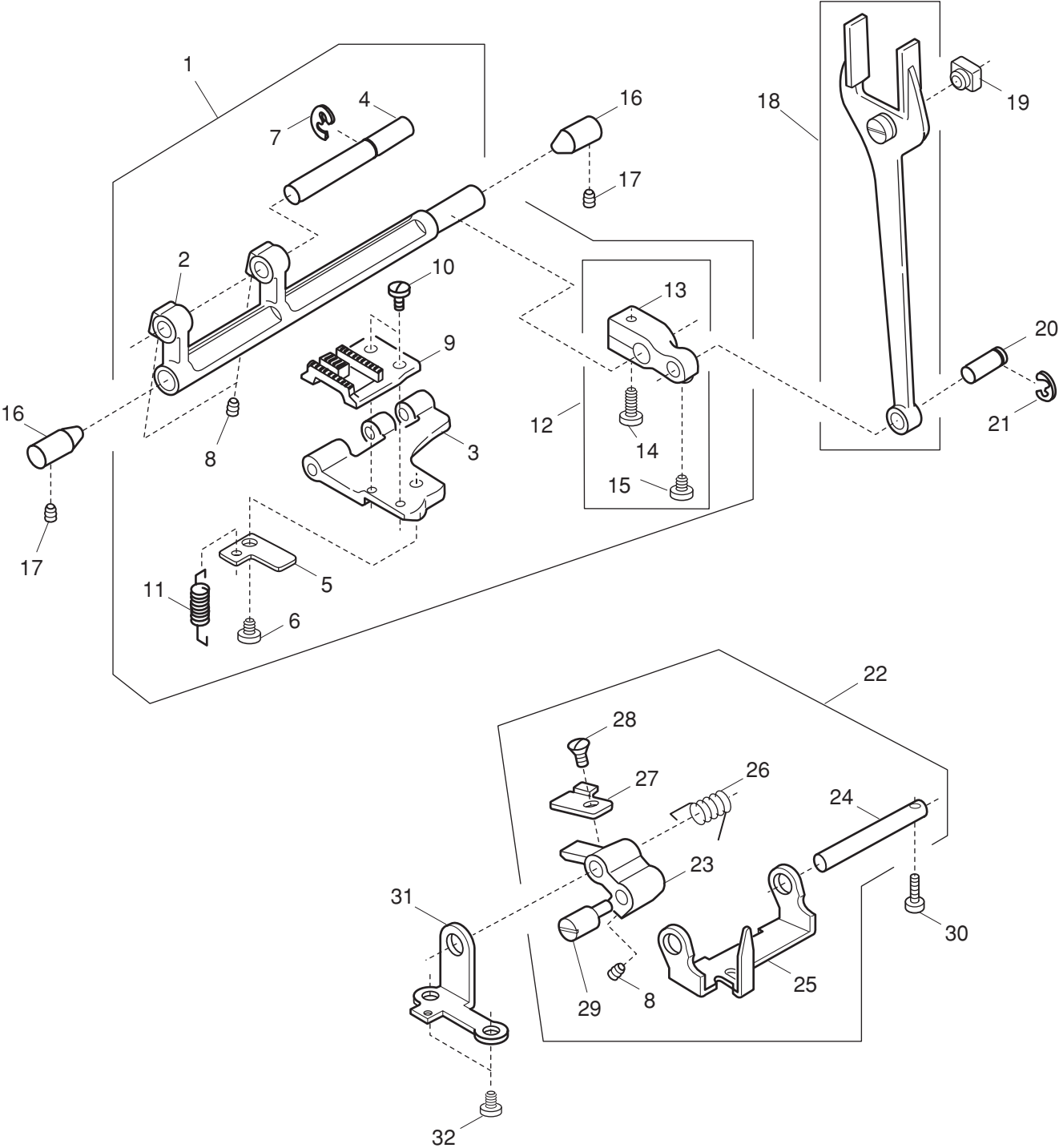
PARTS LIST



PARTS LIST

KEY NO.	PARTS NO.	DESCRIPTION
1	731662014	Zigzag mechanism (unit)
2	731663118	Pattern selector dial (unit)
3	730092003	Spring
4	000101404	Setscrew 4x6
5	731645103	Feed regulator (unit)
6	648010009	Setscrew
7	000160102	Adjustable lock nut 4
8	803134007	Feed regulating body spring
9	000000309	Snap ring E-40 (I)
10	802097004	Hexagonal socket screw
11	670100006	Feed regulating spring
12	730041007	Spring guide
13	731658073	Feed dial (unit)
14	731607000	Feed regulating cam (unit)
15	721606307	Reverse button (unit)
16	000014306	Snap ring CS-3
17	731029002	Feed dial spring
18	721181002	Ornamental plate
19	731302057	Feed front cover
20	000104005	Setscrew 3.5x8
21	000081005	Setscrew 4x8

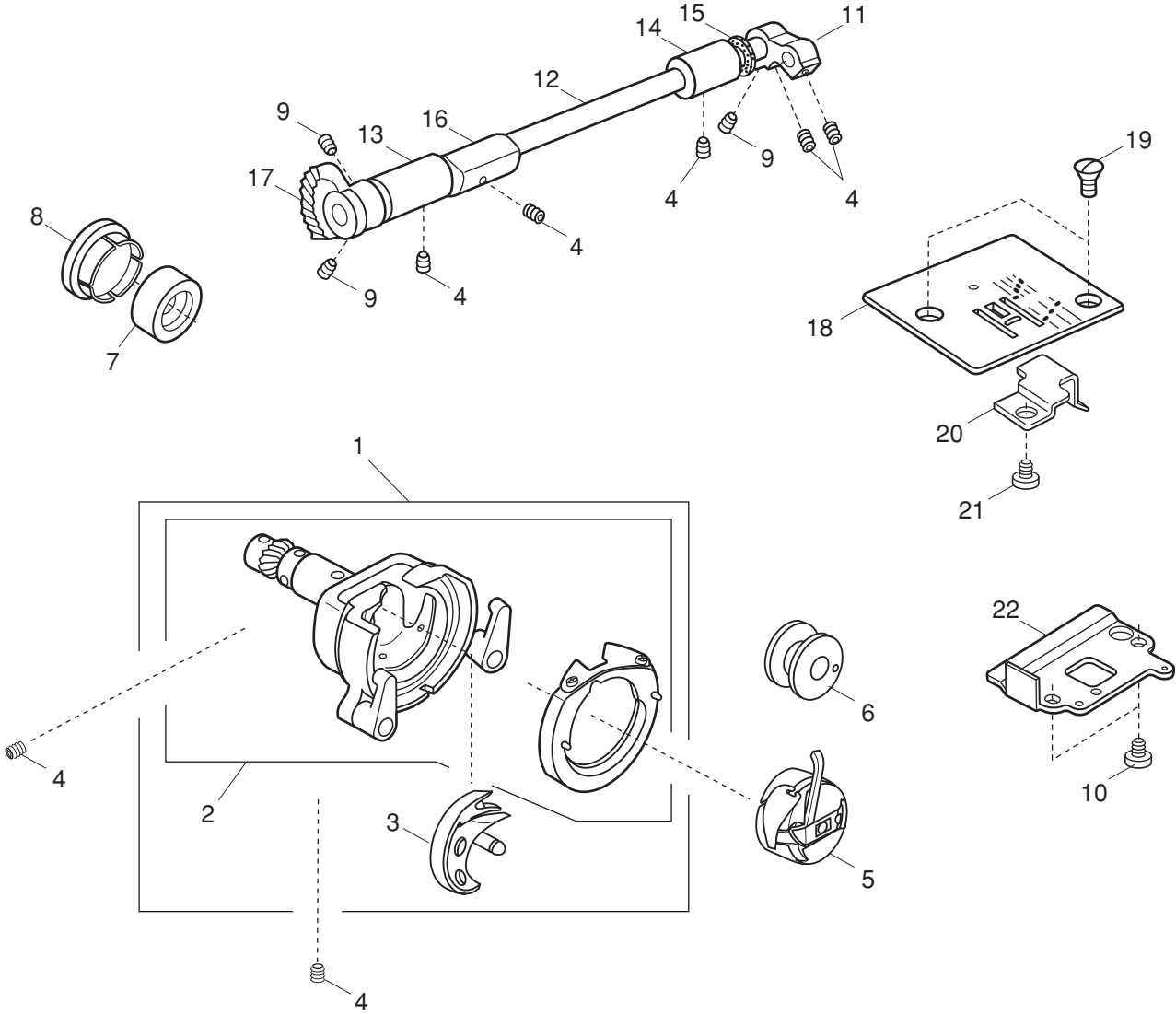
PARTS LIST



PARTS LIST

KEY NO.	PARTS NO.	DESCRIPTION
1	730611004	Feed rock shaft (unit)
2	730057006	Feed rock shaft
3	647066007	Feed dog base
4	647134007	Feed dog base shaft
5	648019008	Feed dog base sliding plate
6	102021202	Setscrew
7	000002507	Snap ring E-4
8	000111108	Hexagonal socket screw 4x6
9	730184003	Feed dog
10	730183002	Setscrew
11	672042005	Feed dog base spring
12	647612015	Feed rock shaft crank (unit)
13	647064005	Feed rock shaft crank
14	102151006	Setscrew
15	102205006	Setscrew
16	738055008	Straight pin
17	000111304	Hexagonal socket screw 5x5
18	647607006	Fork rod (unit)
19	102141003	Feed regulator slide block
20	673103008	Feed rock shaft connecting pin
21	000002806	Snap ring E-6
22	730612005	Feed lifting arm (unit)
23	738028002	Feed lifting arm
24	735090109	Feed lifting shaft
25	730059008	Drop feed selecting plate
26	730061003	Drop feed selecting spring
27	730062004	Sliding plate
28	365032001	Flat screw
29	730063016	Feed lifting crank roller shaft
30	000101703	Setscrew 4x12
31	730064006	Feed lifting arm shaft holder
32	000101404	Setscrew 4x6

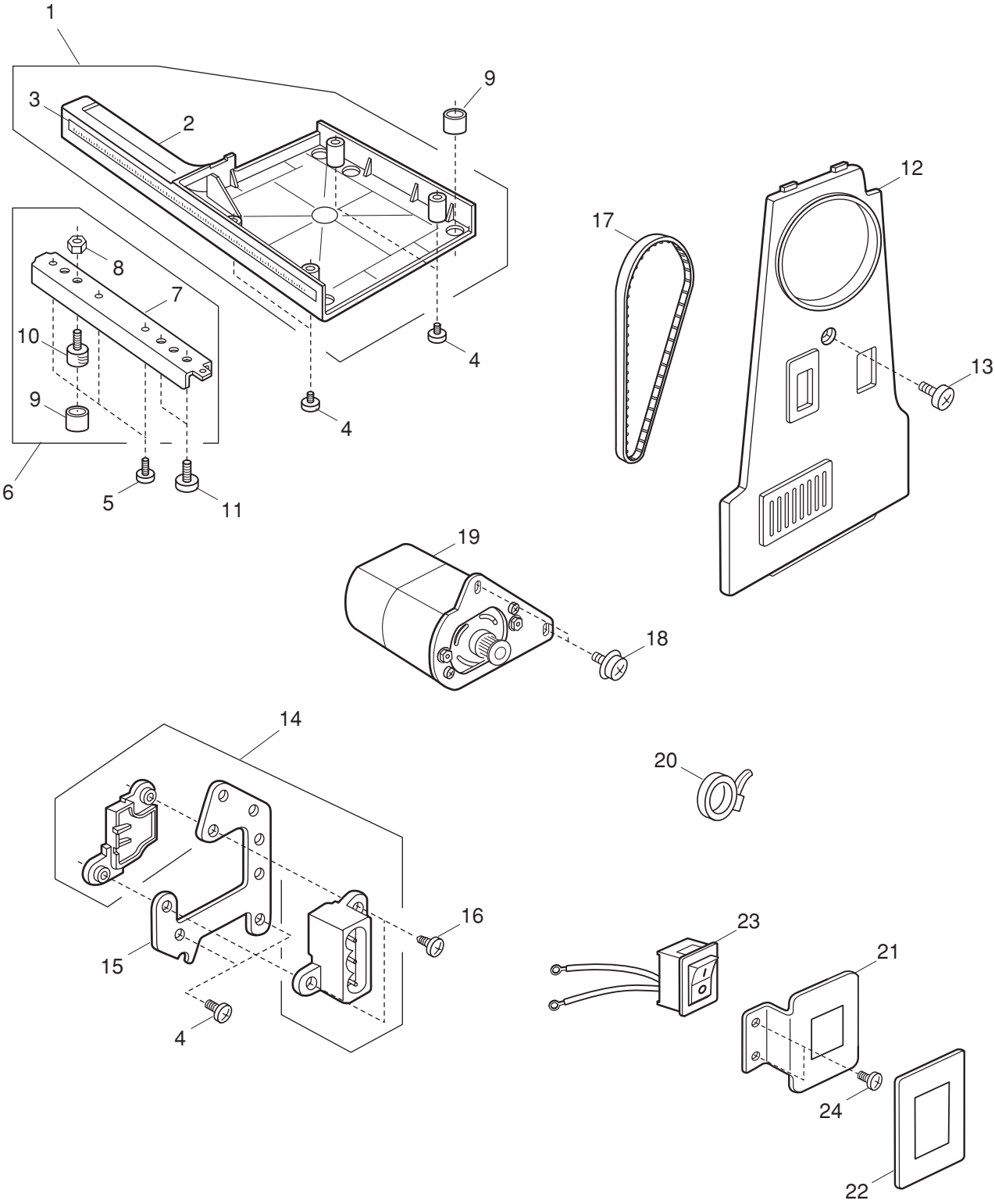
PARTS LIST



PARTS LIST

KEY NO.	PARTS NO.	DESCRIPTION
1	640603104	Hook race (unit)
2	640503000	Hook race (unit)
3	532096007	Hook
4	000111304	Hexagonal socket screw 5x5
5	647515006	Bobbin case (unit)
6	102261000	Bobbin
7	640018003	Hook driver shaft bushing
8	626045407	Cap
9	000110107	Hexagonal socket screw 5x5 WP
10	000101208	Setscrew 5x6
11	738023007	Lower shaft crank
12	647142008	Lower shaft
13	738024008	Lower shaft front bushing
14	640038009	Lower shaft rear bushing
15	822070003	Felt
16	647043008	Feed lifting cam
17	730038001	Lower shaft gear
18	730027007	Needle plate
19	681009101	Flat screw
20	730107002	Gear box upper cover
21	000101404	Screw 4x6
22	730109004	Gear box rear cover

PARTS LIST

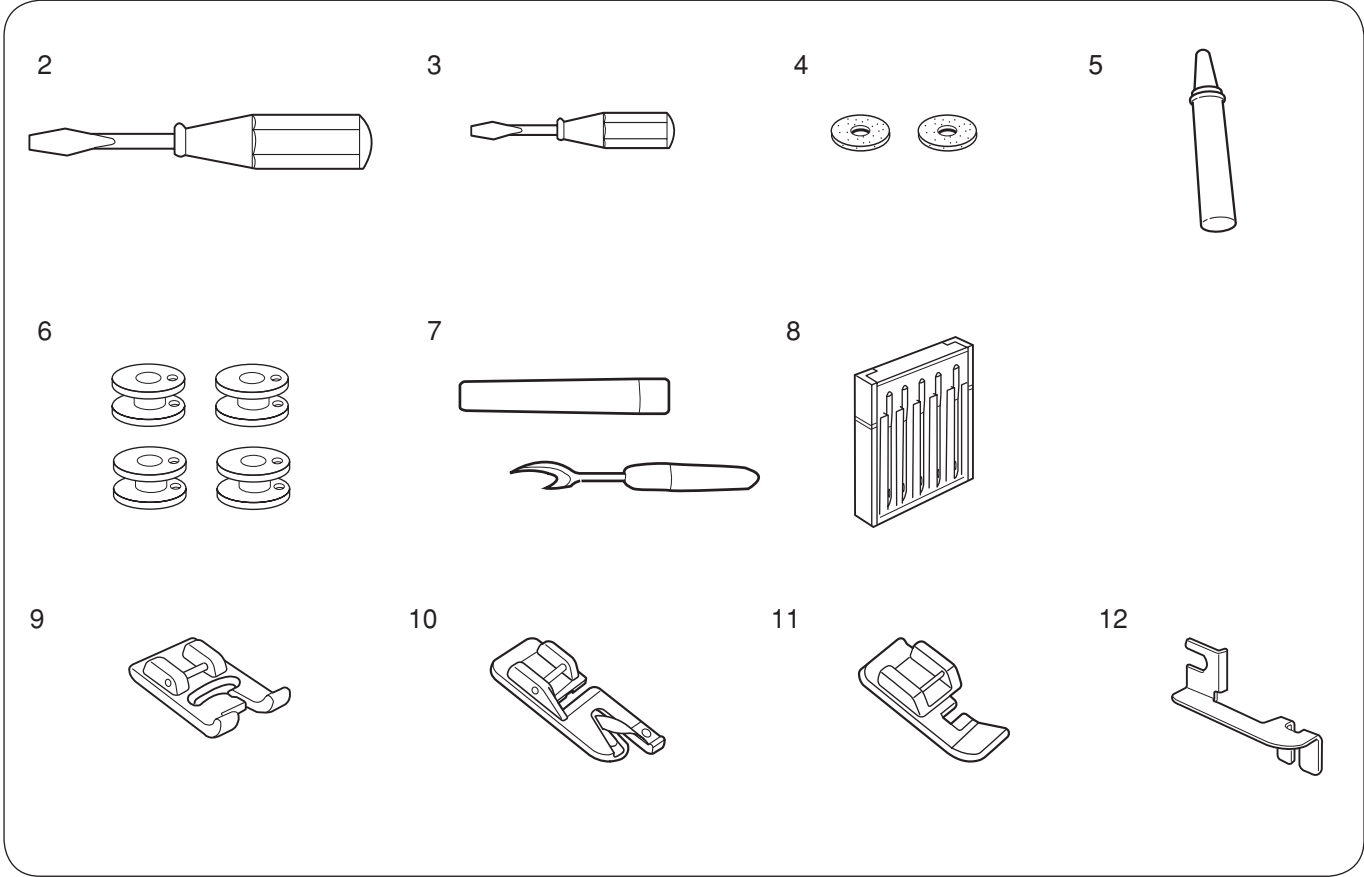


PARTS LIST

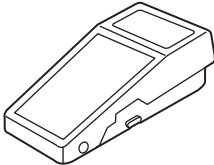
KEY NO.	PARTS NO.	DESCRIPTION
1	731624726	Bace (unit)
2	730010502	Bace
3	731061305	Bace scale
4	000081005	Setscrew 4x8
5	000107204	Setscrew 3x12 (B)
6	731668009	Arm leg (unit)
7	730008002	Arm leg
8	000061319	Nut 5-1-8
9	647009002	Bed rubber cushion
10	647010006	Adjusting screw
11	000066808	Setscrew 6x14
12	731161100	Belt cover
13	000104119	Setscrew 4x20
14	731515000	Machine socket (unit)
15	731380107	Machine socket set plate
16	000121400	Setscrew 3x14 (B)
17	624093002	Timing belt
18	000115504	Setscrew TP 5x10
19	M-1015	Motor (unit)
20	000053008	Cord binder
21	731379000	Switch set plate
22	731381005	Indicator plate
23	639511018	Switching power supply
24	000101404	Setscrew 4x6

PARTS LIST

1



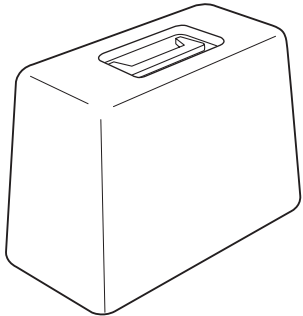
13



14



15



PARTS LIST

KEY NO.	PARTS NO.	DESCRIPTION
1	721870005	Accessory set
2	647802003	Screwdriver (large)
3	647803004	Screwdriver (small)
4	102403109	Felt
5	741814003	Oil
6	102261000	Bobbin
7	647808009	Seam ripper/Buttonhole opener
8	540401026	Needle set
9	737801015	Buttonhole foot
10	743815000	Hemmer foot
11	611604002	Zipper foot
12	674401002	Hem guide
13	C-1028	Foot control
14	731402195	Instruction book
15	465721409	Cover