

**JANOME**

Quilt Maker

**18" Quilting Machine**

**Instruction Manual**

# Congratulations on your purchase of a Janome Quilt Maker 18 from Janome!

Congratulations on your purchase of the Janome Quilt Maker and welcome to the Janome family.

Our mission is to produce machines which inspire creativity and innovation, yet are simple to use. The better your tools, the more inventive and pleasurable your sewing experience. We know the most important thing about our products is not the machines themselves, but what you create with them. That's why we design our machines for performance, but also for comfort, quality, and intuitive ease of operation.

As a leader in the sewing industry, we keep striving to provide best-in-class products and services which enable sewists' creativity and innovation. Please be sure to register your warranty on [janome.com](http://janome.com). Your registration allows us to communicate with you regarding machine updates and other product information. In addition, our website offers tutorials, quilting patterns, videos, and more educational materials for your Quilt Maker 18.

Remember, if you ever have questions, your local Janome Dealer can help you. For general questions, please use the General Inquiries Form on [janome.com](http://janome.com) or call Monday through Friday 8:30AM - 5:00PM EST, 1-800-631-0183 option 3.

## Package Contents

Please keep your original box and packaging

### Contents of Package

1. Bobbins (5 pieces, one in machine)
2. Needle (135x5) size 16 (pack of 10)
3. Needle (135x5) size 18 (pack of 10)
4. Bobbin Case
5. Thread Mast
6. Pin Oiler
7. Lint Brush
8. Screwdriver
9. Power Cord
10. 2.5 mm L Allen tool
11. Laser Stylus and Clamp
12. Laser Stylus Post
13. Open-toe Foot
14. User Manual
15. Quilt Maker 18 Quilting Machine

### Optional Accessories

1. 18" Machine Ruler Base
2. 11' Leader Set
3. Set of 8 Casters
4. Hand Wheel Kit
5. Channel Locks
6. Couching Feet Set
7. Glide Foot
8. Echo Feet Set
9. Horizontal Spool Pin
10. Bobbin 8 Pack
11. Bobbin Case
12. Rear Handlebar Kit

# Table of Contents

Safety.....	4
Components (Front Side View).....	7
Components (Back Side, Rear and Front Views) .....	8
Installation (Frames).....	9
Installation (Handlebars).....	9
Installation (Power Cord).....	10
Inserting Needle .....	11
Changing the Feet .....	12
Laser Stylus.....	13
Installation (Thread Mast).....	14
Threading the Machine .....	15
Horizontal Spool Pin .....	17
Bobbin and Thread Tension Adjustments.....	17
Easy-Set Tension™ Adjustment.....	19
Maintenance (Oiling and Lubricating).....	19
Touch Screen Displays .....	20
System Information .....	27
Diagnostics Tests .....	28
Janome Stitch Regulator Operation .....	31
Getting Started Quilting.....	32
Quilt Maker 18 Troubleshooting.....	33
Bobbin Winder .....	38
Warranty Information.....	45

## Safety Section

This device complies with Part 15 of the FCC Rules. Operation is subject to the following two conditions: (1) This device may not cause harmful interference, and (2) this device must accept any interference received, including interference that may cause undesired operation.

**Note:** Do not operate your Janome Quilt Maker 18® quilting machine until you have completely read the information contained in this manual. Please keep all packaging and order information for warranty purposes.

### IMPORTANT SAFETY INSTRUCTIONS

Read all instructions before using this machine.

When using this machine, basic safety precautions should always be followed, including the following:

**DANGER** — To reduce the risk of electric shock:

- A quilting machine should never be left unattended when plugged in. Always unplug the machine from the electrical outlet immediately after using and before cleaning.

**WARNING** — To reduce the risk of burns, fire, electric shock, or injury to persons:

- The Janome Quilt Maker 18® is heavy. Never attempt to lift it alone. Always use two people when lifting. Always lift from the throat of the machine, not from the handlebars.
- Always unplug the Janome Quilt Maker 18® from the electrical outlet when performing any maintenance, changing the needle, removing thread locks, or when left unattended.
- Do not unplug by pulling on cord. To unplug, grasp the plug, not the cord.
- Keep fingers away from all moving parts. Use caution around the needle or sharp external components.
- Change the needle often. Do not use bent or dull needles. "Every quilt deserves a new needle".
- Switch the machine to the symbol off, or O, position to turn it off when making any adjustments in the needle area, such as threading needle, changing needle, threading bobbin, changing hopping foot, and so forth.
- Never drop or insert foreign objects into any opening.
- The Janome Quilt Maker 18® should only be used indoors away from moisture.
- The Janome Quilt Maker 18® should not be stored or used in extreme temperatures.
- Use the Janome Quilt Maker 18® only for its intended use as described in this manual.
- To disconnect from the wall outlet, push the switch to the off position, then remove the plug from outlet pulling from the plug, not the cord. Never operate the Janome Quilt Maker 18® if the cord is damaged

or not working correctly. If a mechanical or electrical problem is encountered, return the Janome Quilt Maker 18® to the nearest authorized service center or the manufacturer for examination, repair, electrical, or mechanical adjustment.

- It is not recommended that the Janome Quilt Maker 18® quilting machine be used with any machine quilting frame other than those recommended by Janome.
- Use this quilting machine only for its intended use as described in this manual. Use only attachments recommended by the manufacturer as contained in this manual.
- Never operate the machine with any air openings blocked. Keep ventilation openings of the machine free from the accumulation of lint, dust, and loose cloth.
- Do not operate where aerosol (spray) products are being used or where oxygen is being administered.
- Do not pull or push the machine across the fabric excessively while stitching. It may deflect the needle enough to cause it to break.
- Use only needles designed for free motion quilting and recommended by Janome for this machine. Other types of needles may break during normal quilting.
- Children shall not play with the machine. Close attention is necessary when this machine is used by or near children.
- This sewing machine may be used by children age 8 years and above and persons with reduced physical, sensory, or mental capabilities or lack of experience and knowledge if they have been given supervision or instruction concerning use of the machine in a safe way and understand the hazards involved.
- Cleaning and user maintenance shall not be made by children without supervision.

### Save these instructions.

This machine is intended for household or commercial use.

### Disclaimer

Janome and its Representatives are in no way legally responsible or liable for damage to the Janome Quilt Maker 18 when used improperly or not in accordance with the guidelines stated in this manual or when used on machine quilting frames not recommended by Janome.

## To use the machine safely

1. Carefully watch the needle when sewing. Do not touch the hand wheel, take up lever, needle, or other moving parts.
2. Turn the machine off and unplug the cord in the following cases:
  - when you have stopped using the machine
  - when you replace or remove the needle or any other part
  - when you check or clean the machine
  - when you leave the machine unattended
3. Connect the machine directly to the wall outlet or to a surge protector that connects directly to the wall outlet. Do not use extension cords.

## To increase the life of your machine

1. Do not store this machine in areas exposed to direct sunlight or high humidity. Never use or store the machine near a heater, an iron, a halogen lamp or other hot things.
2. Use only neutral soaps or detergents to clean the machine. Benzene, solvents and scouring powders can damage the case and the machine and therefore should never be used.
3. Do not drop or bump the machine.
4. Always consult the manual to replace or fix the hopping foot, needle or any other part of the machine. If necessary contact an authorized Janome representative or Janome technical support.

## General Specifications

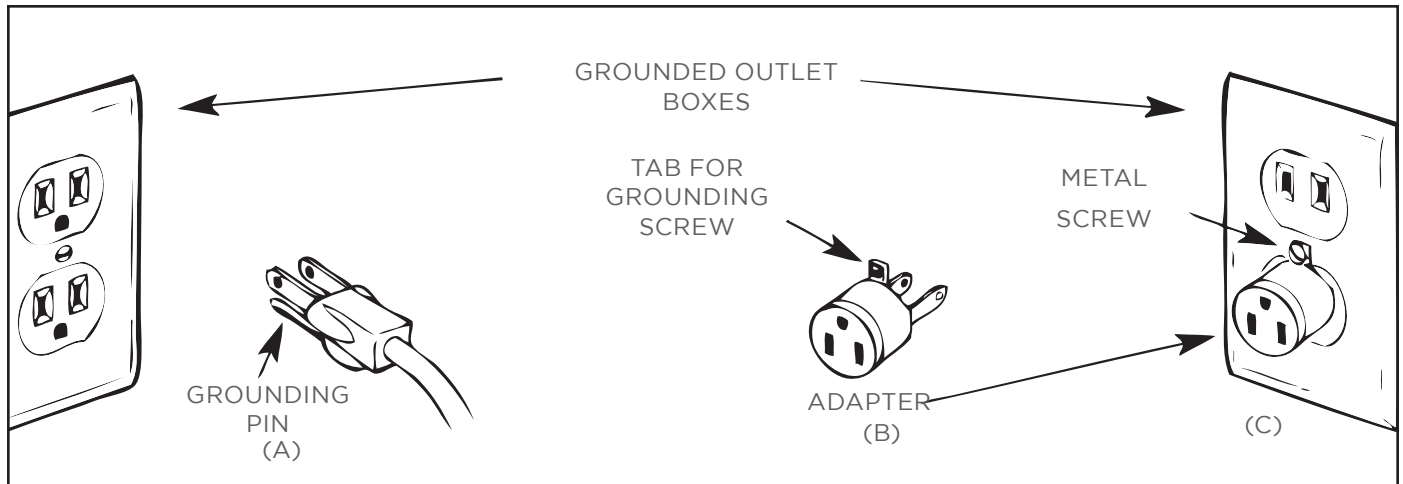
The Janome Quilt Maker 18 utilizes high-tech electronics and an innovative touch-pad user interface to offer greater functionality and ease of operation to home quilters than ever before conceived in the quilting industry. The Janome Quilt Maker 18 quilting machine is a high quality machine that incorporates very robust design features and is very easy to service.

Sewing Opening Dimensions:	(245 mm X 610 mm) 8.25" X 18"
Sewing Speed:	Manual Mode: Min 90spm, Max 2,200spm Regulated Mode: Min 0spm, Max full speed
Stitches-Per-Inch:	4spi - 22spi
Needle System:	134 (135 X 7)
Needle Sizes (recommended):	12/80 - 20/125
Hook System:	Rotary, Horizontal axis, M-class bobbin
Bobbin Type:	Aluminum, Class M
Bobbin Case:	Type MF
Motor Type:	Brushless DC
Needle Positioning:	Up and down, walking stitch
Electrical Power:	100 - 240 VAC, 50 - 60Hz, 300W peak (1.69A@100/.9A@240)
LED Power Consumption:	8 W
Sew Foot Stroke/Lift:	5 mm
Needle Bar Stroke:	35.3 mm
Take-Up Stroke:	73 mm
Lubrication, main components:	Kluber Lube, permanent
Lubrication of hook:	Velocite 10, Texaco 22

## Disclaimer

Janome and its Representatives are in no way legally responsible or liable for damage to the Janome Quilt Maker 18 when used improperly or not in accordance with the guidelines stated in this manual or when used on Machine Quilting Frames not recommended by Janome.

## Optional U.S. Grounding for Customers with 120 VAC Connections



This product is for use on a nominal 120 V or nominal 220 V circuit, and has a grounding plug that looks like the plug illustrated in sketch A above. A temporary adapter, which looks like the adapter illustrated in sketches B and C, may be used to connect this plug to a 2-pole receptacle as shown in sketch B if a properly grounded outlet is not available. The temporary adapter should be used only until a properly grounded outlet can be installed by a qualified electrician. The green colored rigid ear, lug, and the like, extending from the adapter, must be connected to a permanent ground such as a properly grounded outlet box cover. Whenever the adapter is used, it must be held in place by the metal screw.

**IMPORTANT:** In Canada, the use of a temporary adapter is not permitted by the Canadian Electric Code.

### To repair or adjust the machine

If the machine breaks down or needs adjustment, first check the troubleshooting chart in the appendix to inspect and adjust the machine yourself.

For more product information and updates, visit our website at [www.janome.com/qmp18](http://www.janome.com/qmp18).

The contents of this manual and product specifications are subject to change without prior notice. Check for updated manuals at [www.janome.com/qmp18](http://www.janome.com/qmp18).

# Janome Quilt Maker Pro 18 Components

## Front Side View

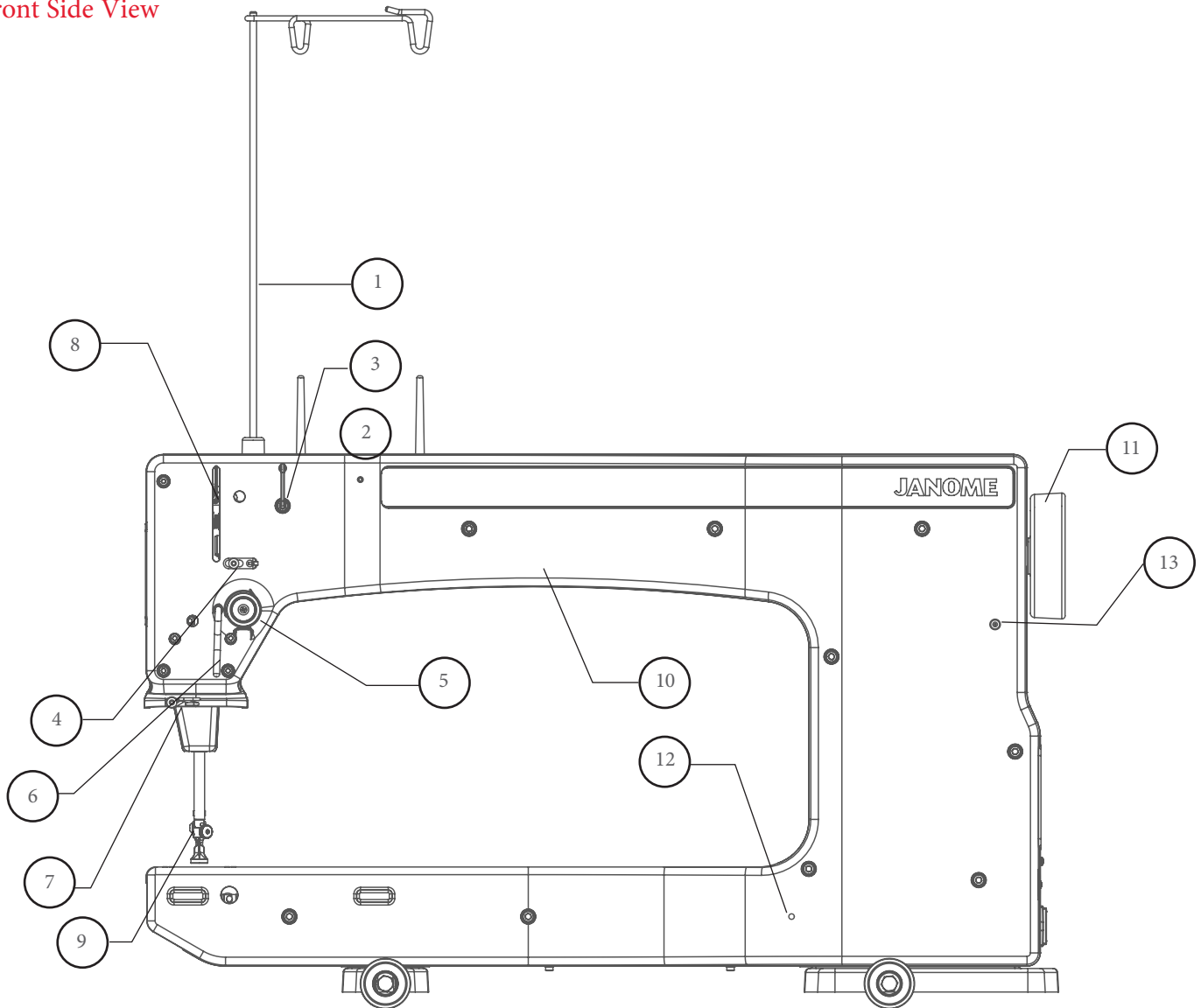


Figure 1

1. Thread Mast
2. Thread Guide A
3. Three Hole Thread Guide B
4. Thread Guide C
5. Tension Assembly
6. Stirrup Thread Guide D
7. Thread Guide E
8. Take-Up Lever
9. Thread Guide F
10. Front Casing/Frame
11. Handwheel
12. Side Laser Stylus Post Hole
13. Laser Stylus Power Connector

# Janome Quilt Maker 18 Components

## Front Side View

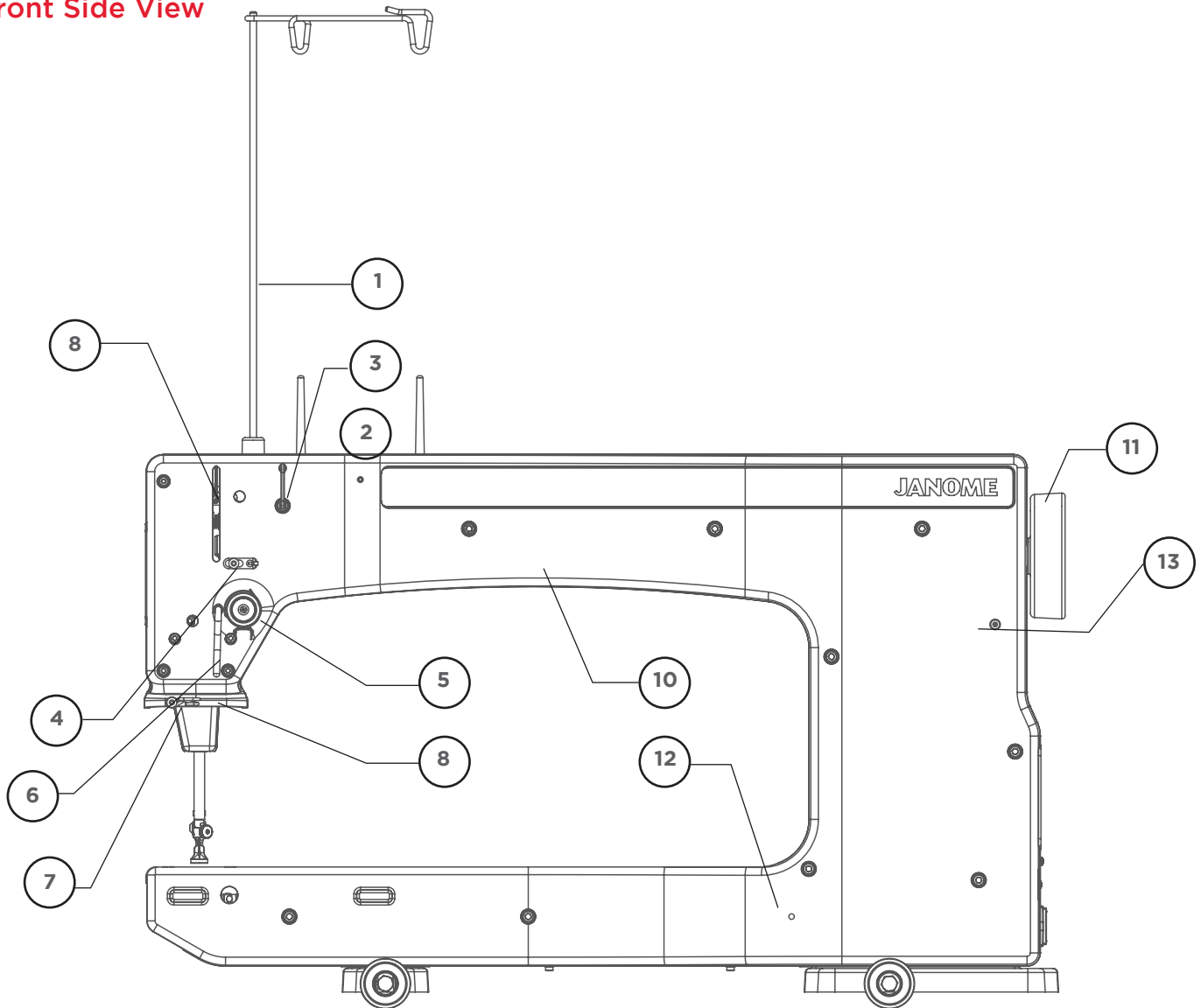


Figure 1

1. Thread Mast
2. Thread Guide A
3. Three Hole Thread Guide B
4. Thread Guide C
5. Tension Assembly
6. Stirrup Thread Guide D
7. Thread Guide E
8. Take-Up Lever
9. Thread Guide F
10. Front Casing/Frame
11. Handwheel
12. Side Laser Stylus Post Hole
13. Laser Stylus Power Connector



# Janome Quilt Maker Pro 18 Components

## Back Side View

- 14. Ruler Foot
- 15. Needle
- 16. Needle Bar Thread Guide
- 17. Needle Bar
- 18. Presser Bar
- 19. Feet Mount
- 20. Needle Plate
- 21. LED Light Ring
- 22. Front Handlebar Connections
- 23. Ruler Base Position Guides
- 24. Front Wheel Base
- 25. Wheels (4)
- 26. Back Casing/Frame
- 27. Rear Wheel Base
- 28. Horizontal Spool Pin Hole\*

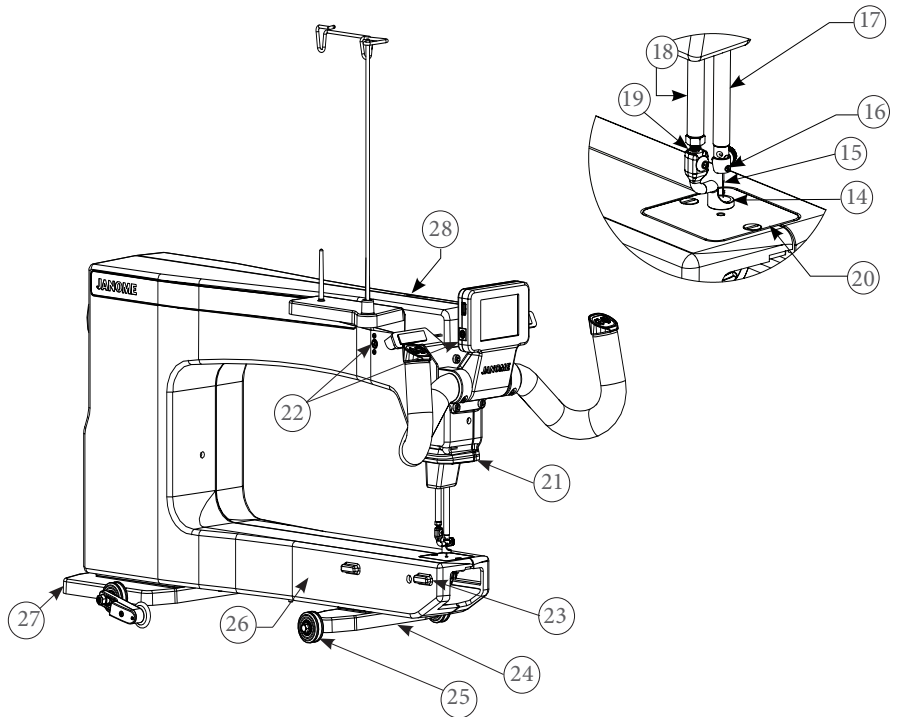


Figure 2

## Rear and Front Views

- 29. Spool Pin 1
- 30. Magnets
- 31. Stitch Regulator Ports
- 32. Rear Handle Bar Serial Port
- 33. Threaded Holes for Rear Handles\*
- 34. LED Modules
- 35. Power Cord Connector
- 36. On/Off Switches
- 37. Spool Pin 2
- 38. Bobbin Assembly

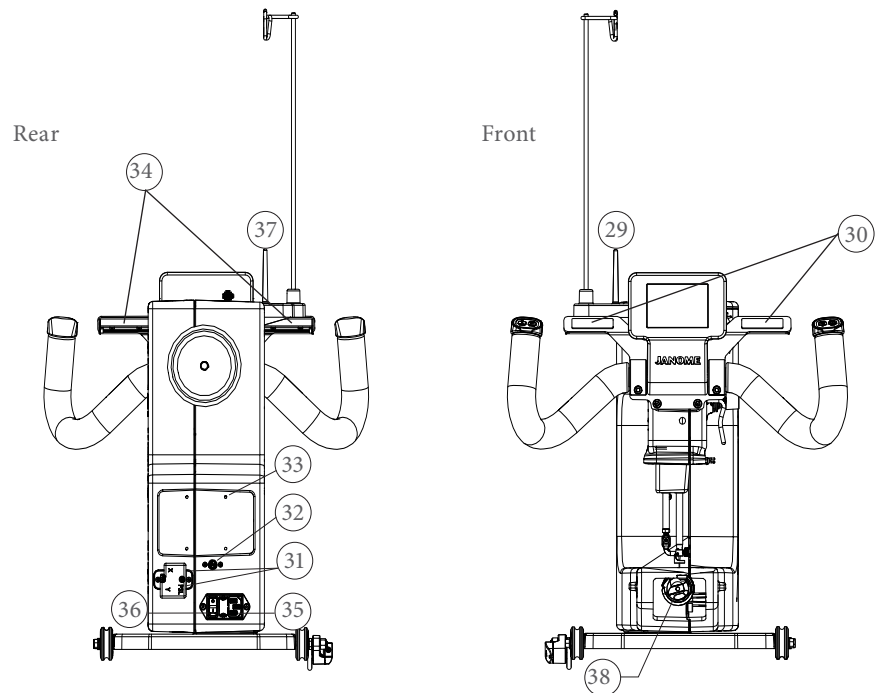


Figure 2.1

\* Rear Handlebar Kit & Horizontal Spool Pin are optional accessories..

Please contact your local Janome dealer to purchase.

## Installation (Quilt Maker Frame)

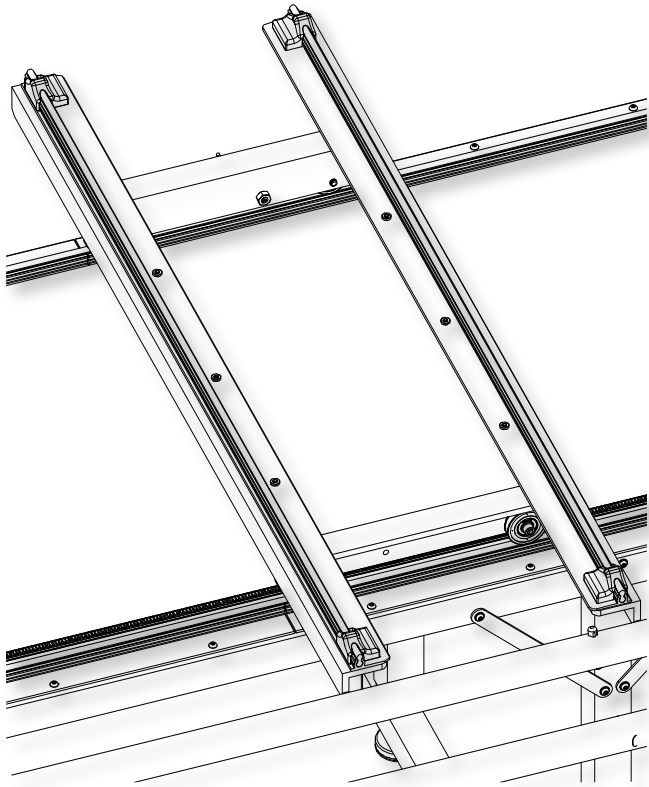


Figure 3

1. Place the carriage, wheels down, on the table rails, ensuring that the Carriage Encoder Assembly (small black box) is positioned on the opposite side from the frame poles. Be sure to place the carriage on the frame correctly (see Figure 3).
2. Place the machine on the carriage with the back of the machine on the same end as the Carriage Encoder Assembly. Be sure that the silver rails on the carriage are inserted into the groove in the machine wheels.
3. Locate the carriage encoder cable. Plug the carriage encoder cable into the carriage encoder and into the connection at the back of the machine labeled X.
4. REMEMBER that if the machine is to be removed from the carriage, the cable must be disconnected from the Carriage Encoder Assembly. The machine encoder cable can stay in place. Failure to unplug the cable when removing the machine from the carriage could result in damage to the cable, encoder, and carriage.

---

## Installing Front Handlebars

Caution: Unplug the Janome Quilt Maker Pro 18 from the electrical outlet. All power to the machine must be turned off when installing the front handles. Failure to do so can result in damage to the machine.

Locate the handlebar with lights and magnets attached—this is the front handlebar. On the front of the machine locate the 4 threaded holes in a square pattern. (See Figure 4) Use the 4 bolts found in the machine accessory box in the small bag with the black spiral serial cables to attach the front handlebar mounting plate using the included 4mm hex wrench.

Find the serial connection point on the left side of the front display and the serial connection point on the left side of the front of the machine. Connect the front display to the machine using one of the black spiral serial cords. (See Figure 4.1) Be careful to align the pins in the cord with the pins in the serial connection points. Insert carefully.

Handlebars can rotate to desired position by loosening the bolts and rotating the handlebars being sure to not pull them out.

Note: There are magnets on the reverse of the lighting for convenient storage.



Figure 4



Figure 4.1

## Installing Optional Rear Handlebars

Check that the Janome Quilt Maker Pro 18 is unplugged from the electrical outlet. All power to the machine must be turned off when installing the back handlebar. Failure to do so can result in damage to the machine.

Locate the handlebar without lights and magnets attached –that is the rear handlebar. On the back of the machine locate the 4 threaded holes in a square pattern. (See Figure 4.2) Use the 4 bolts found in the machine accessory box in the small bag with the black spiral serial cables to attach the rear handlebar mounting plate using the included 4mm hex wrench. The mounting plate has 4 access holes for the hex wrench to tighten the bolts. (See Figure 4.2)

Find the serial connection point on the left side of the rear display and the serial connection point on the rear of the machine. Connect the rear display to the machine using one of the black spiral serial cords. (See Figure 4.3) Be careful to align the pins in the cord with the pins in the serial connection points. Insert carefully.

Note: After the handles have been completely installed and plugged in, test them by turning the Janome Quilt Maker Pro 18 on/off switch to “on”. You will not be able to turn on the machine until the front handlebars are installed. If nothing is displayed, check that the handlebar cable on the side of the machine is plugged in securely, that your machine is turned on, and that the power cord is plugged into the machine as well as a power source.



Figure 4.2

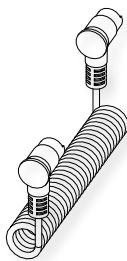


Figure 4.3

## Installing the Power Cord

Insert the cord into power connector on the rear of the machine. Plug the three-prong end into a power source (see Figure 5).

## Turning on the Janome Quilt Maker Pro 18



Figure 5

There are two power switches for your machine. The main power switch is at the rear of the machine and a white power switch is on the



Figure 6

right side of the front screen for your added convenience. (Figure 6)

The machine is turned on when both switches are turned on. The machine is turned off when both switches are off. However, you may turn off the machine functions by turning off only the front switch if you will be returning to quilt within a day.

Turn on the back switch first by toggling the switch from the 0 position to the 1 position. Then turn on the front switch by toggling it as well. The front switch will not turn on the machine unless the back switch is already on.

**IMPORTANT:** If you will not be using the machine for more than a day, we recommend you turn off both switches and unplug the power cord from the power source.

**IMPORTANT:** Refer to the safety instructions.

## Inserting (or changing) the Needle

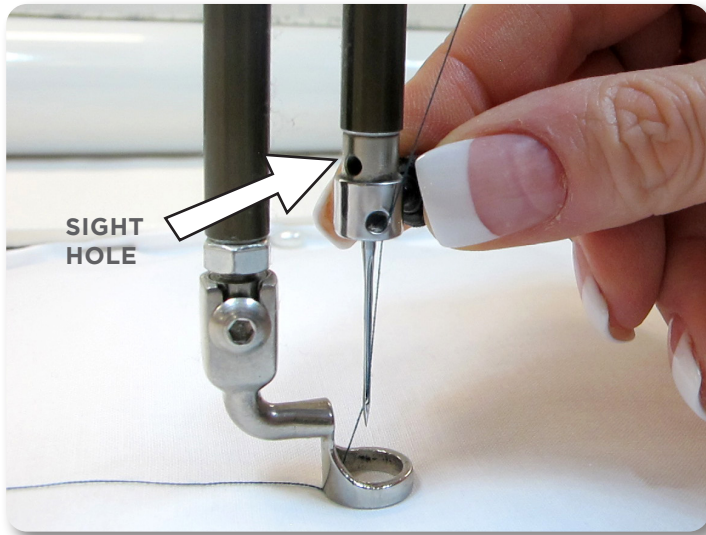


Figure 7

**IMPORTANT:** Check the needle to confirm that it is fully inserted. The needle bar has a stop/sight hole above the needle bar clamp screw - make sure the needle is touching the top of the stop/sight hole (Figure 7). If it is not, the machine timing will be off and it may be possible for the needle to collide with internal parts causing damage not covered by warranty.

**CAUTION:** Your Janome machine stitches at a much faster speed than your home sewing machine. Therefore it is essential that the needle is firmly seated in the needle bar and fully tightened (but not over tightened). Check often that the needle has not become loose. If the needle comes loose, it could break in the machine causing damage, throw off the machine's timing, or worse, cause bodily harm.

1. Check that all power is turned off.
2. Move the needle bar to the highest position by turning the hand wheel or by pressing the needle up/down control on the handles (prior to turning the power off).
3. Loosen the needle-bar clamp thumb screw (Figure 7).
4. With the scarf (small ground out section/dip on the back side of the needle just above the needle eye) facing the rear hand wheel side of the machine, and the long groove down the front of the needle facing the bobbin case side (see Figure 7), push the needle all the way up into the needle bar - until it can go no farther. Look into the sight hole to verify that the butt of the needle reaches the top of the sight hole.
5. Carefully tighten the needle bar clamp screw. Over tightening the needle clamp screw will result in damaged threads stripping the hole. Stripped holes are not covered under warranty. Another side effect of damaged threads from over-tightening that the needle may be very tight when inserted up into the needle bar. To avoid over-tightening the screw, finger tighten only.

**Note:** Changing the needle is recommended for each new quilt loaded on the machine or any time the needle becomes bent, dull or burred.



## Changing the Feet

Your machine came with two Feet: a ruler foot and an open-toe foot. Use the ruler foot for ruler work and everyday quilting, and the open-toe foot when you need greater stitch visibility (such as micro quilting). Other Feet are available, such as the Couching Foot Kit.

1. Remove the foot that is on the mount by using the 2.5mm hex wrench to loosen the mounting screw far enough that you can slide the foot off of the mount.
2. Slide the desired foot onto the mount (figure 8). **Note** that the opening on the side of the foot is lined up with the screw hole. Push the Foot up as far as it will go.

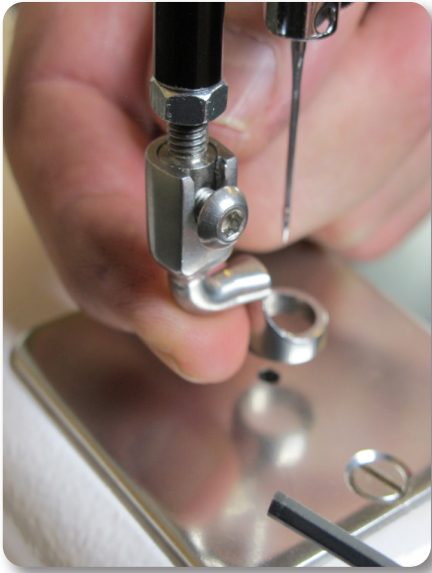


Figure 8

3. Ensure the foot is centered with the needle when the foot is fully tightened with the 2.5mm hex wrench. If it isn't properly centered, loosen the lock nut; center the foot with the needle; hold the foot in position; and firmly tighten the lock nut (Figure 9).



Figure 9

## Optional Laser Stylus Safety and Use Guidelines

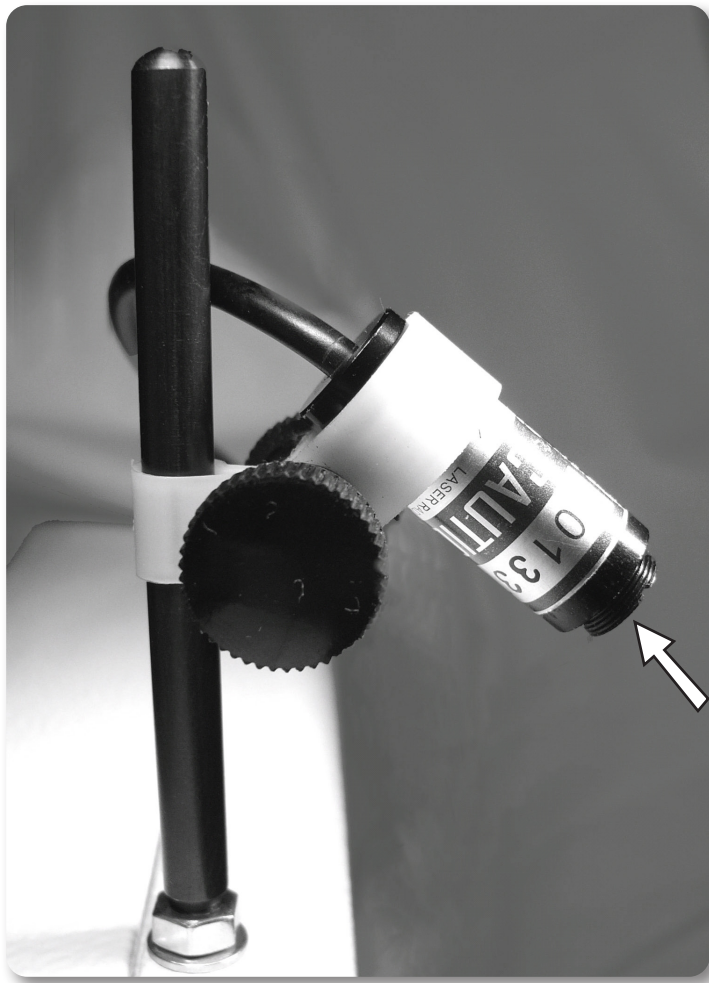


Figure 10

The laser stylus projects a straight laser beam visible as a dot on surfaces it hits. The laser dot is used as a guide or stylus, allowing you to stitch the same pattern onto a quilt that is being traced with the laser dot.

### Laser Operation and Use

There is not a separate on/off switch for the laser. Power is supplied to the laser when it is plugged into the Janome Quilt Maker 18. Be sure the laser is attached to the Janome Quilt Maker 18 and pointed downward toward the table before connecting it to the port. Never point it in a direction that would project the beam into someone's eyes. If the laser should cease to operate, check to ensure the plug is firmly seated into the Janome Quilt Maker 18 laser port.

**CAUTION:** Use of controls or adjustments or performance of procedures other than those specified herein may result in hazardous radiation exposure.

### Laser Focus/Laser Image Size

This high quality laser is focusable. The laser is focused by simply grasping the threaded housing surrounding the lens and turning clockwise or counter-clockwise (see Figure 10). The laser image can be adjusted bigger or smaller. The direction of rotation needed is determined by the distance of the laser from the intended focal plane. Experiment by turning the threaded end to achieve your desired focal size.

### Clamp Adjustment

The laser attaches to a mounting post. The post may be vertical or horizontal. The clamp is designed to articulate in any direction by rotating the clamp on the post and pivoting the laser up or down. To make an adjustment, simply loosen the black thumbscrews, position, and retighten.

### Location of Laser Labels

The label is attached to the case of the laser and contains an arrow which indicates the direction the laser light will shine when energized. The label must remain in place on the laser. Removal of the label will void the laser's warranty.

\* Laser Stylus is an optional accessory.  
Please contact your local Janome dealer to purchase.

## Installing the Laser Stylus

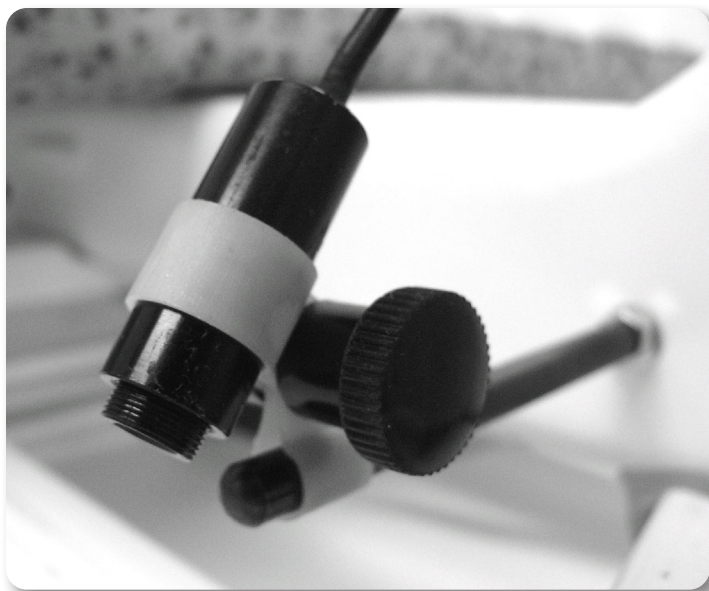


Figure 11

### To attach the laser stylus to the machine:

1. Locate the threaded hole on side of the machine near the handwheel (see Figure 1, #12, page 7). The laser stylus guide post comes with the washer and nut on it. Remove the nut and washer, replace the nut onto the post and then place the washer under the nut and onto the machine painted surface. The washer protects the painted surface when the nut is tightened. Tighten the post clockwise until it is securely in place. Use the nut to secure the post to the machine.
2. Be sure the laser stylus is inserted into the laser clamp.
3. Slide the laser clamp over the post to the desired height.
4. Plug the laser power cord into the port on the rear side of the machine. (see Figure 1, #13, page 7).

---

## Installing the Thread Mast

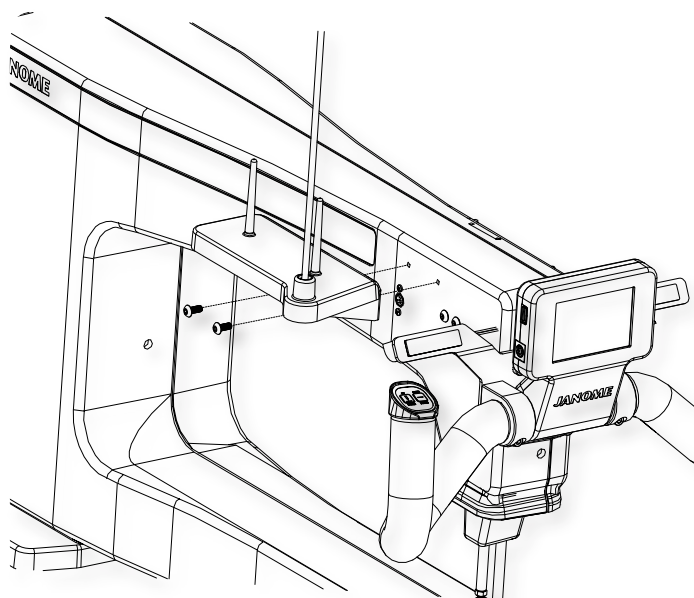
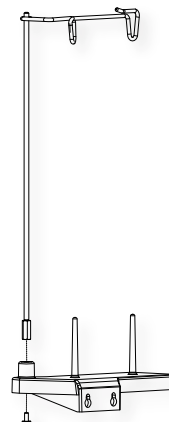


Figure 12

1. Locate the screw with washer, the thread stand and the thread mast.
2. Place the thread mast into the top side of the thread stand with spool pins.
3. Insert the screw with washer through the bottom of the thread stand and into the thread mast. Tighten the screw firmly with a Phillips screwdriver.
4. If necessary loosen the screw and rotate the thread mast until it is directly over the spool pins and retighten the screw.
5. Fix the thread mast assembly to the side of the machine with the two screws provided and tighten them firmly with the appropriate tool.



## Threading the Machine

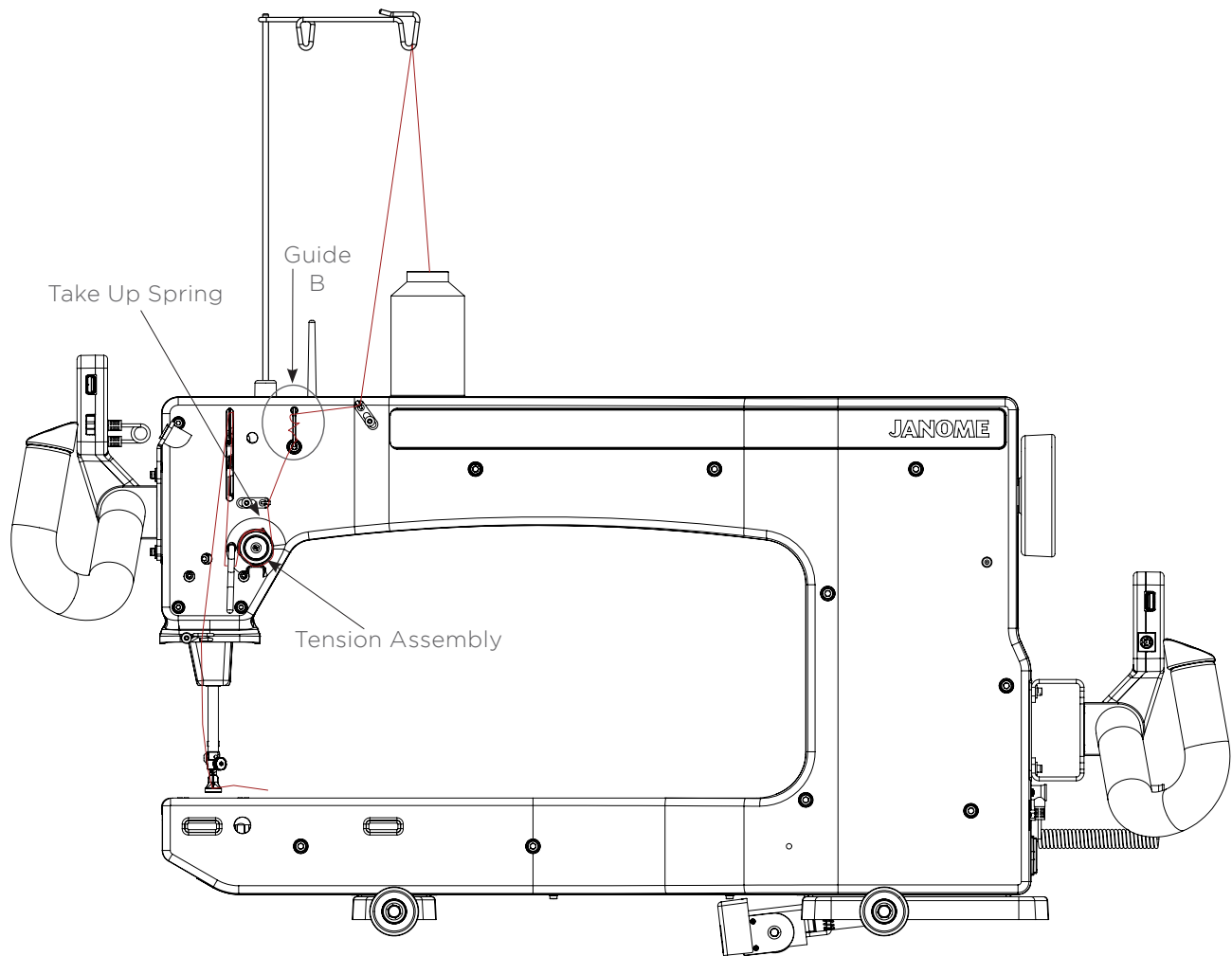


Figure 13

1. Place a cone or spool of thread on the spool pin. Pass the thread through the thread-mast eyelet from back to front, continuing to thread guide A. (Figure 13)
2. Continue to the three-hole thread guide B. Wrap all three holes from back to front, hand wheel side to needle side. (Figure 14).

**Note:** The purpose of the three-hole thread guide B is to prevent loops of thread coming off the thread cone from going into the top tension as a knot causing thread breakage and bad tension. For most threads on a cone, it is important to thread all three holes for consistent results and to make adjustments at the top tension assembly. An exception to this rule is when working with very delicate threads, such as holographic or threads that are prone to breakage, in which case you may try skipping one or two holes on thread guide B.

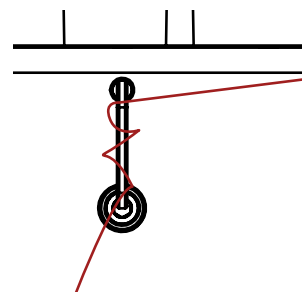


Figure 14



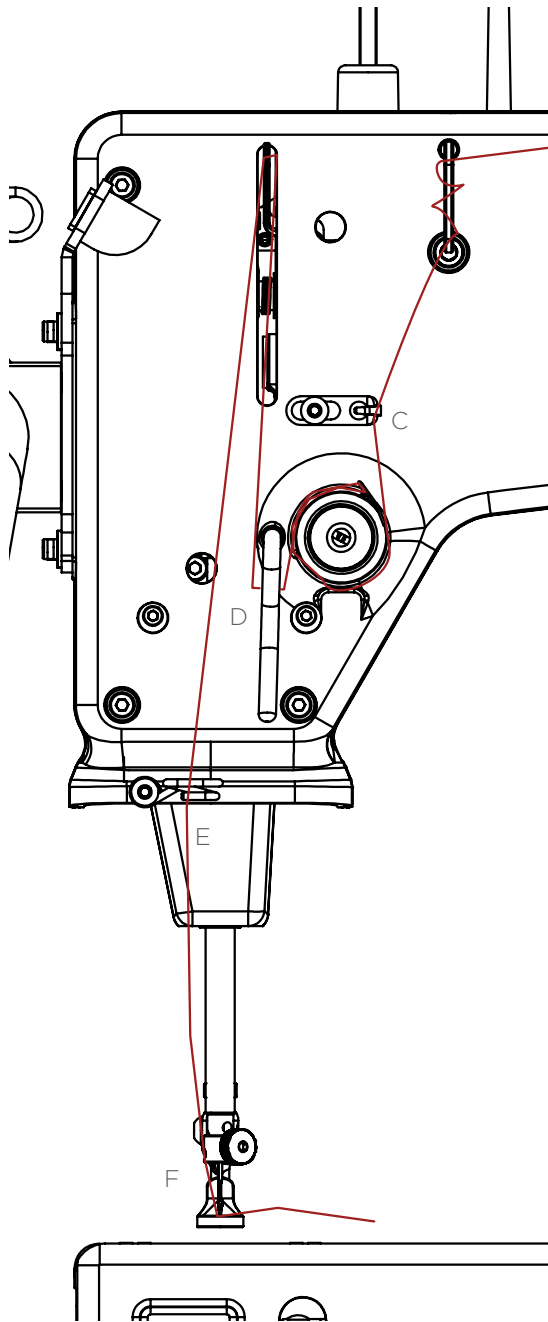


Figure 15

3. Thread continues through thread guide C, and then down to the tension assembly (see Figure 15).

**Note:** It is important that the thread is “flossed” up between the two tension discs. If the thread is not firmly in place between the two tension discs, the thread rests on the outside of the tension discs (without tension) and looping on fabric or thread nests may occur.

4. Once the thread is in place, be sure that the thread catches on the take-up spring and then pull it down under the stirrup (thread guide D).
5. Bring the thread back up through the take-up lever from back to front, and then down through thread guide E. Pull the thread at the take up lever to ensure that it is properly flossed between the tension disks. If it is properly flossed in the tension disks you should feel some resistance as you pull the thread. If it is not, then the thread will pull freely.
6. Pull the thread down to the needle thread guide and thread through the hole (thread guide F).
7. Make sure the thread is following the groove down the front of the needle and threads from front to back. Be careful that the thread does not twist around the needle.

**Important notes:** The Janome Quilt Maker 18 quilting machine does not have a presser foot lever or top tension release like a home sewing machine. On a home sewing machine the top tension is released when the presser foot is raised, allowing the thread to come freely out of the machine. When a home machine is threaded, the presser foot is raised and the tension discs are released and open for the thread to easily fall between the tension discs. This is not the case with the Janome Quilt Maker 18 quilting machine where the top tension is always tight and the tension discs are never open. Therefore, the thread must be pulled up or “flossed” between the tension discs or it will stay outside the discs and float without tension, causing serious tension problems and/or thread nests. It is also possible to bend the needle while it is threaded if care is not taken while moving the machine around the quilt because the top tension is never released.

## Optional Horizontal Spool Pin

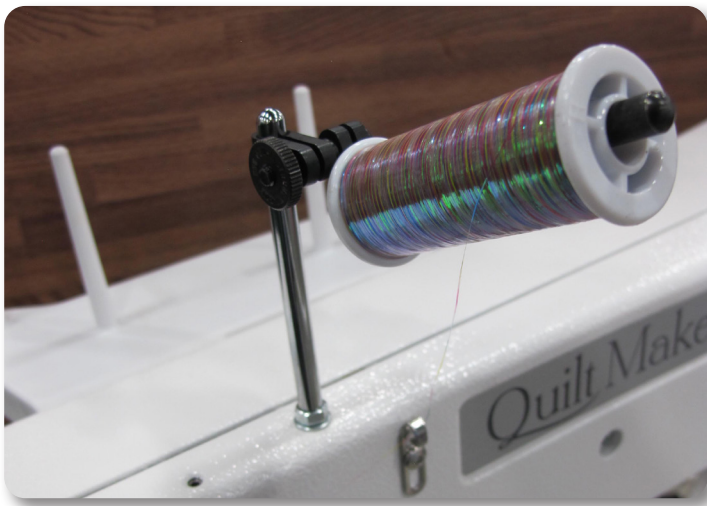


Figure 16

1. An optional horizontal spool pin is available for metallic and specialty threads wound on a spool (not a cone).
2. The horizontal spool pin mounts on the laser stylus guide post on the top of the machine (see Figure 16).
3. When using threads on the Horizontal Spool Holder, skip thread guide A. Thread the top hole only of the three-hole thread guide B, back to front.
4. Continue threading the machine as described in steps 3 through 7 on page 16.

---

## Bobbin and Thread Tension Adjustments

### Inserting the Bobbin

**Note:** Turn off the power switch while inserting the bobbin case or anytime your hands are near the needle area.

1. Place the bobbin in the bobbin case so that the thread pulls off clockwise when viewing the open side (Figure 17).

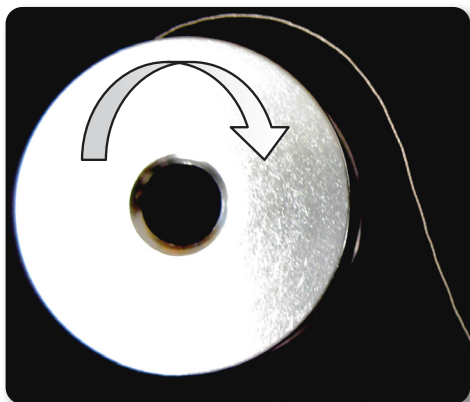


Figure 17

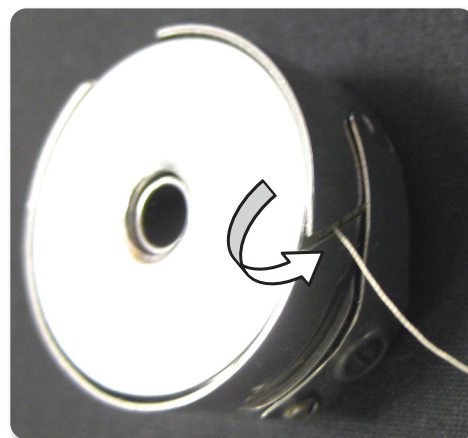


Figure 18

2. Slide the thread through the slot (Figure 18) and under the tension spring leaving 5 to 6 inches of thread hanging loose (Figure 19).



Figure 19

## Bobbin and Thread Tension Adjustments...cnt'd

3. Turn off the power switch while inserting the bobbin case or anytime the hands are near the needle area.
4. Do not lift the lever on bobbin case. When placing the machine fit the bobbin case onto the hook spindle in the machine. Rotate the casing until the open throat keys into the alignment notch in the middle of the hook. Push the casing in until it stops in place. Push inward until it clicks (see Figure 20).

**Note:** It is not suggested that the lever on the bobbin case be used for this installation. The latch lever should be used only for removal of the bobbin case.



Figure 20

### Drawing the Bobbin Thread to the Top of the Quilt

1. After the machine is threaded, locate needle up/down button on the left handle.
2. While firmly holding the tail of the needle thread with the left hand, press the needle up/down button with right hand, bringing the needle back to the up position.
3. Pull the machine three to four inches away while holding the needle thread.
4. Bobbin thread will pull up and through to the top, allowing you to grasp the loop and pull it to the desired length.

### Bobbin Tension

The bobbin tension is the foundation tension for the entire machine. To test that bobbin tension is correct, hold the bobbin case in the palm of your hand with the open end facing up. Wrap the thread around your index finger and while pulling up on the thread and gently wiggling the finger front to back (not up and down which is not consistent), the bobbin case should lift up on its side, but NOT lift out of your hand. If it will not lift up onto its side, it is too loose and if it lifts out of your hand, it is too tight. The small screw in the center of the tension spring is where the adjustment is made (see Figure 21). Turn clockwise to tighten and counter-clockwise to loosen the bobbin case tension. Check your bobbin tension every time a new bobbin is inserted.

**Note:** Bobbin tension adjustment is a minute turn of the screw like the ticking of a clock.



Figure 21

## Easy-Set Tension™ Adjustment

**IMPORTANT:** Top tension should be adjusted only after the bobbin case foundation tension adjustment is made.

Puckering, gathers and thread breakage occur when the top tension is too tight. Loops and thread nests occur on the back when the top thread tension is too loose. Tension may need to be adjusted depending on the fabric, thread or batting you are using on each project.

It is easy to set the top tension with the Janome Quilt Maker 18 Easy-Set Tension. To adjust the top tension tighter, turn the tension knob **clockwise**. To loosen the tension, turn the tension knob **counterclockwise**. Unlike the bobbin-case adjustment, which requires minute adjustments (like the tick of a clock), the top tension knob might need to be turned anywhere from 1/4 of a turn to two to four turns to achieve balanced tension.

As you adjust the tension, a tension value appears on the Main Screen (when the machine is turned on). make a note of this value to easily set the tension again in the future for the same type of thread.

**Note:** Before adjusting the top tension, remember to floss or pull the top thread up into the tension discs or it will float outside the discs providing little or no top tension. This could cause significant tension or nesting problems on the bottom side of the quilt.

---

## Maintenance

### Cleaning and Lubricating the Machine

Only use light sewing machine oil in the Janome Quilt Maker 18. Internal oiling is not necessary on the Janome Quilt Maker 18 except when the machine is taken to a service technician for routine maintenance and cleaning. The hook assembly, however, needs regular lubricating. Failure to keep the hook assembly lubricated can cause severe damage to the machine.

To lubricate, turn off the machine. Remove bobbin and case before oiling. Clean around the hook assembly with a soft brush to remove lint. Put a very small drop of oil on the hook in the region where the bobbin basket assembly and the rotating hook meet (see Figure 22). The bobbin basket is the portion of the hook that the bobbin case snaps into. The bobbin basket remains stationary while the hook rotates around the basket. The oil lubricates the region where these two components interlock. A drop of oil in the region indicated will work its way back into the interlocking area of the hook and bobbin basket.

The frequency of lubrication depends upon the usage of the machine. Lubricating is recommended before running the machine if it has not been used regularly, or every other bobbin change if used frequently. After oiling, always sew a scrap piece as oil may cling to thread. Over oiling can cause excess dripping from the bobbin assembly. Lack of lubricant may be noticed by a change in the sound of the machine and will affect stitch quality.

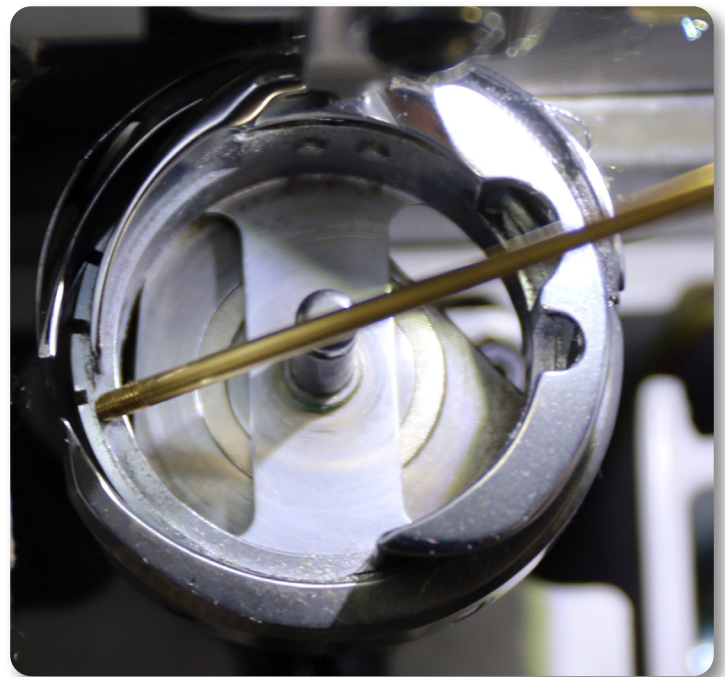


Figure 22

### Cleaning the Touchscreen

Never use any chemicals to clean your display as this may adversely affect the touch screen response. Use a soft rag dampened with isopropyl alcohol and gently wipe the display to remove any marks.



# Using the Touch Screen Displays on the Handlebars

## Machine and Handlebar Menus

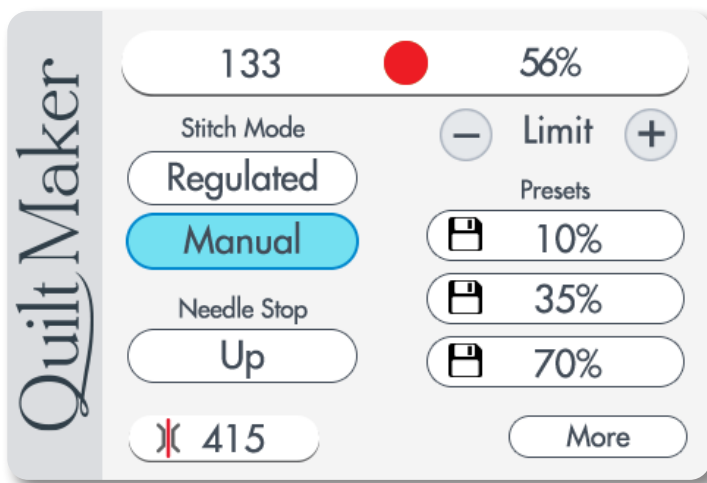


Figure 23

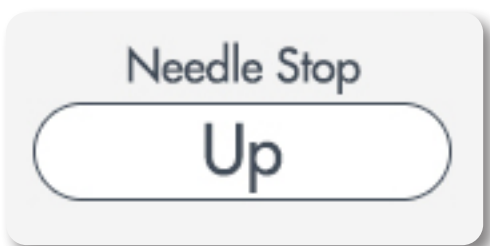


Figure 24



Figure 25

The Janome Quilt Maker 18 has touch-screen displays on the front and rear handlebars. Settings may be changed at either of these locations.

### Main Screen

#### Manual Mode Screen

##### Button Functions:

Pressing the “Regulated” button while in the Manual Mode Screen will toggle to the Regulated Mode Screen. The current stitching mode is highlighted in blue when activated. Different options are available depending upon which mode the system is in. (Figure 23)

##### Needle Stop

The Needle Stop setting enables you to specify whether you want the needle to end in the up or down position when you stop quilting (Figure 24). If you select Down, when you press the stop button on the right handlebar, the needle ends in the down position. If you select Up, the needle ends in the up position when you press the stop button on the right handlebar. Switch between the up and down position by pressing the Needle Stop button.

##### Easy-Set Tension

The tension box (Figure 25) on the Main Screen shows the current tension setting as a numeric value. As you turn the tension dial clockwise to tighten the top tension, the number increases in increments of five. As you turn the tension dial counterclockwise to loosen the top tension, the number decreases in increments of five. The faster you turn the dial, the faster the numbers increase or decrease.

After setting the bobbin tension, test the top tension by stitching on a fabric scrap on the edge of the quilt batting and backing. Increase or decrease as needed until you have achieved balanced tension. Make a note of the type of thread (weight, brand, color) you’re using and the tension value. You will be able to quickly and easily set the tension when you use this same thread again in the future.

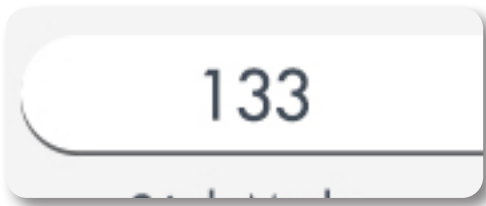


Figure 26

### Bobbin Thread Indicator

If you use the Low-Bobbin Estimator feature, The Bobbin Thread Indicator box (Figure 26) shows how much bobbin thread remains on the bobbin. The value counts down until it gets to zero, at which time the low-bobbin alarm alerts you that it is time to put in a new bobbin if the alarm is enabled. While the machine is recording how much thread is on a bobbin, REC appears on the screen to remind you that it is estimating the bobbin capacity.

### Speed

Pressing the Limit “+” will increase the manual mode motor speed and pressing the Limit “-” button will decrease the manual mode motor speed. This has the same effect as pressing the “+” and “-” buttons on the actual handles. The speed range is between 5% and 100%, or between 90 and 2,200 stitches per minute (SPM). The percent speed is displayed in the white box at the top of the screen. (Figure 27)

### Manual Presets

Save up to three manual-mode preset speeds to quickly switch between speed preferences. For example, you may prefer a slower speed when using rulers and a faster speed when doing all-over meandering quilting. Use the “+” and “-” buttons to adjust the speed percentage and then press one of the record buttons next to the preset value to store that speed as a preset. When you want to use one of the preset speeds, simply press the speed. (Figure 27)

### On/Off Indicator

The circle in the center of the top bar turns green when you press the “Start” button on the handles to indicate the needle is in motion. When you press “Stop,” the circle will turn red. (Figure 28)

### Regulated Mode Screen Button Functions

#### Stitches Per Inch (SPI)

Pressing the “+” or “-” buttons near the top right portion of the screen will increase or decrease the stitches per inch (SPI) setting. The setting is reflected in the white indicator box at the top right portion of the screen. This value can be adjusted between 4 and 18 stitches per inch. (Figure 29)

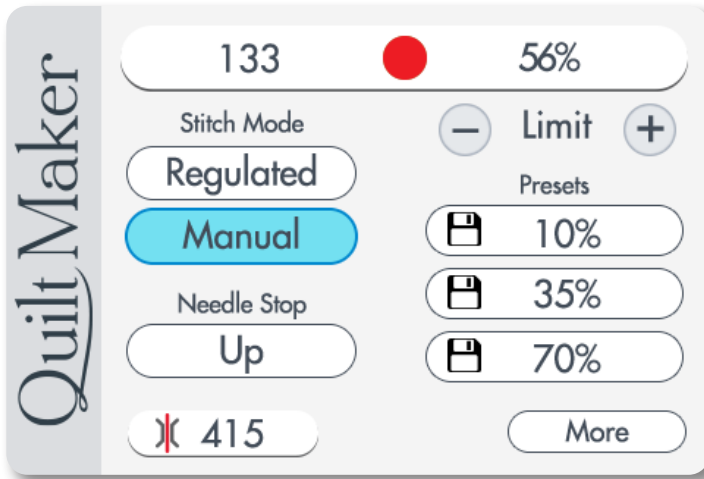


Figure 27



Figure 28

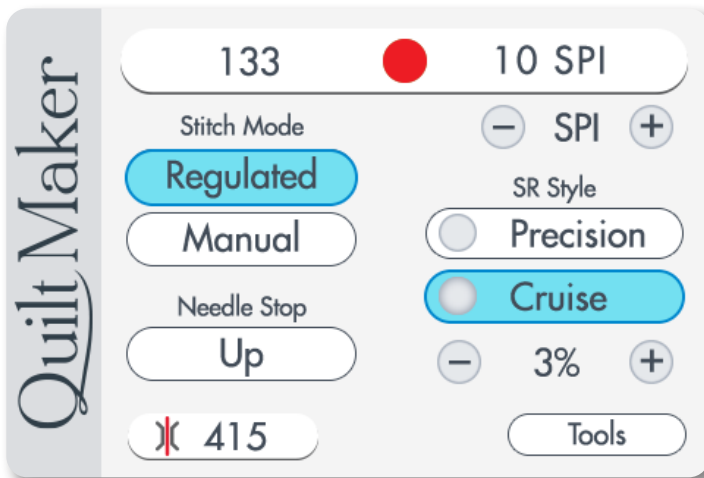


Figure 29

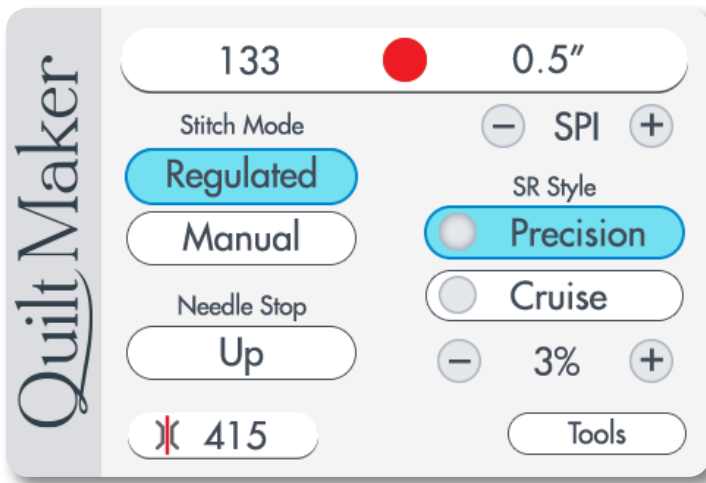


Figure 30

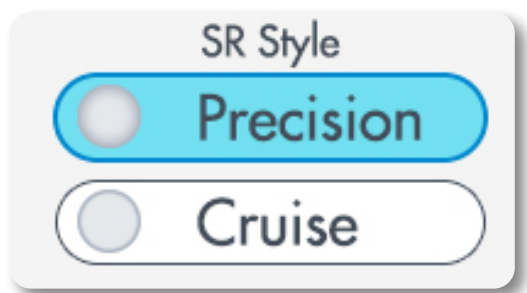


Figure 31

### Basting Stitches

There are four basting stitch settings controlled by the stitches per inch function. After the SPI reaches its lowest stitch setting of 4 stitches per inch, pressing the “-” button will activate the basting settings:

- 0.5-inch (one stitch every half-inch movement of the machine)
- 1-inch (one stitch every one inch movement of the machine)
- 2-inch (one stitch every two inches of movement of the machine)
- 4-inch (one stitch every four inches of movement of the machine)

After selecting the basting stitch setting, begin quilting by pressing the Start button. As you move the machine across the quilt, it will perform a stitch (needle down and then needle up) every half inch, one inch, two inches, or four inches according to your choice. The basting stitch options are available in stitch regulation mode: Cruise and Precision. (Figure 30)

### Stitch Regulation Style (SR)

The “SR Style” box in the lower right-hand corner of the screen indicates whether the machine is in “Precision” regulation mode or in “Cruise” regulation mode. (Figure 30)

### Precision

If “Precision” mode is selected, the Janome Quilt Maker 18 will not start stitching until you begin pushing the machine. (Figure 31)

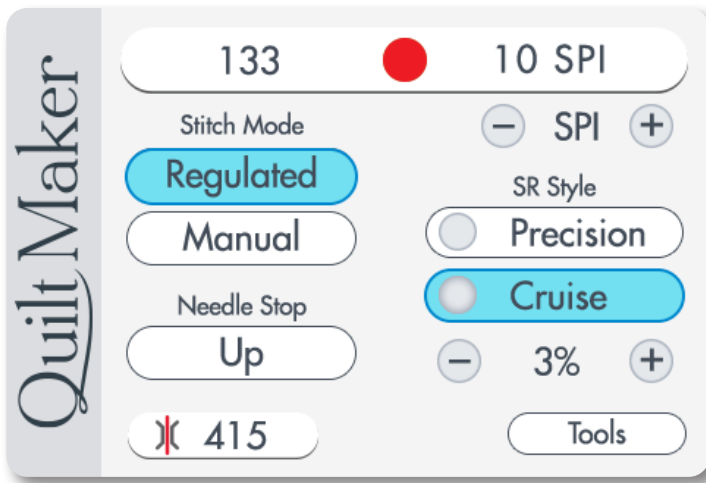


Figure 32



Figure 33

### Cruise

If "Cruise" mode is selected, when you press "Start" on the handles the machine will immediately begin stitching at the percent speed indicated below the "Cruise" button. The "Cruise" speed is the minimum speed the machine will stitch, regardless of how slow you are pushing the machine. This means that when you slow down to a stop, the needle will continue stitching at the set cruise speed until you begin moving the machine faster than what the cruise speed is set to or you press the "Stop" button on the handles. The "Cruise" speed can be adjusted using the "+" and "-" buttons that appear below the "Cruise" button when "Cruise" mode is selected. "Cruise" speed can be adjusted between 3% and 50%. (Figure 32)

The start indicator box (Figure 33), which is the box at the top center of the screen, will change from red to green as soon as you press the "Start" button on the handles. If you are in "Precision" mode, the needle will not start moving until you start moving the machine, so this green indicator shows that the "Start" command was accepted and the machine is ready to begin stitching. In "Cruise" mode, the red box will turn to green and the needle will begin stitching immediately at the set "Cruise" speed.

### On/Off Indicator

If the machine does not sense that it has been moved in any direction after it has been started, it will automatically stop regulation mode and the start indicator box will turn red. When in "Precision" mode, this happens when no movement of the machine has been detected for two minutes. A system message will appear on the screen to warn the user the machine has stopped. This box is cleared by pressing the "OK" button. In "Cruise" mode, the machine will stop stitching after about three seconds if no movement has occurred.

### Tools Menu

The Tools screen provides access to other functions available on the Janome Quilt Maker 18 (Figure 34).

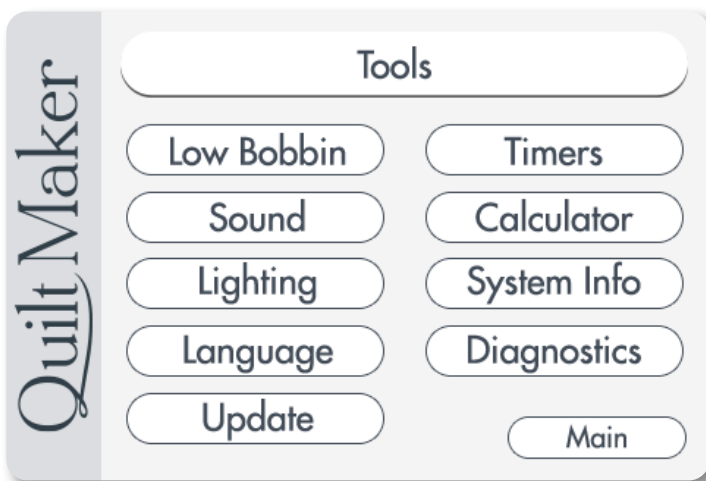


Figure 34



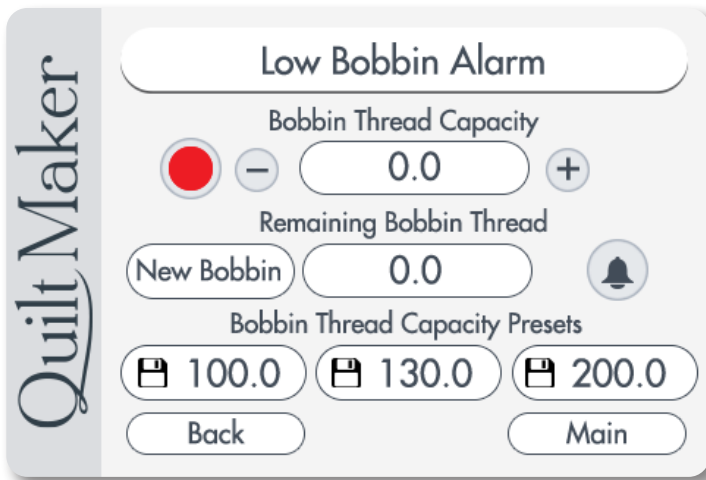


Figure 35

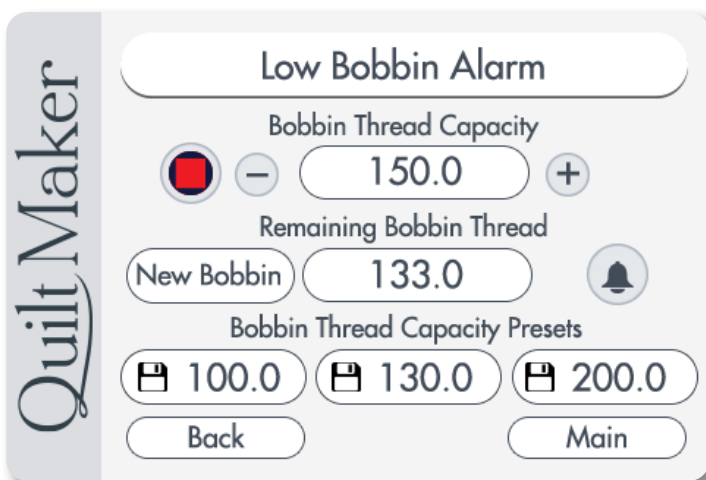


Figure 36

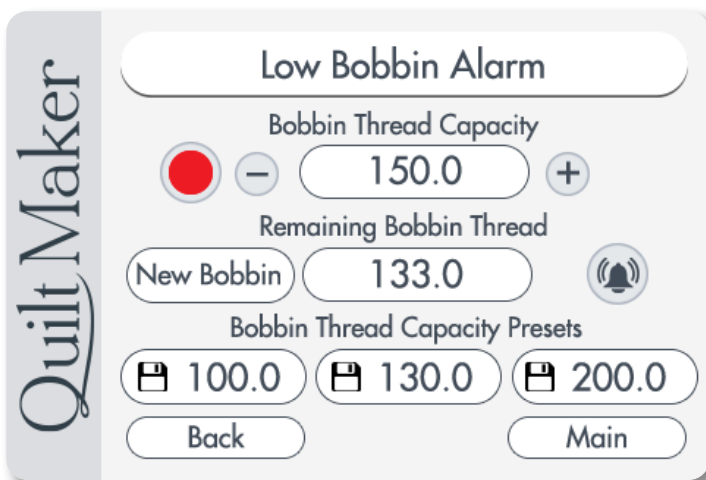


Figure 37

### Low Bobbin

The Janome Quilt Maker 18 includes a low bobbin capability so you can estimate how soon your bobbin thread will run out. This Low Bobbin Capacity is based on an estimate of how much of a particular thread can fit on a bobbin, in combination with other quilting factors such as tension, stitches per inch, and how much bobbin thread you pull up when beginning and ending your quilting (Figure 35 and 36).

To estimate how much thread is on a bobbin, place a full bobbin in the machine and under the heading Bobbin Thread Capacity, press the Record button (Figure 36), quilt as usual.

When the bobbin runs out, press the square Stop Recording button and note the number that is indicated under the Bobbin Thread Capacity (Figure 36), perhaps 210. Since you want a warning as to when the bobbin is getting low, use the “-” button to specify a lower number, such as 195. Save that as one of the Bobbin Thread Capacity Presets. You might want to make a note as to which type of thread the preset represents. Put a new bobbin with the same thread into the machine and press the New Bobbin button. Then press the Alarm button. As you quilt, the remaining bobbin thread value will estimate how much thread remains on the current bobbin, and when you reach the capacity value, an alarm will sound warning you that your bobbin is nearly out of thread (Figure 37).

When operating in Manual mode, the low bobbin function assumes you will stitch at approximately the last SPI setting you had on the regulated screen. If the SPI setting was below 8 stitches per inch, the function will assume you will quilt at 10 stitches per inch. It is advisable therefore to set the stitches per inch that you will be quilting on the regulated screen before you change to manual mode.

You can store three Bobbin Thread Capacity preset values - one for each of three different types of thread. Simply go through the record process with a full bobbin of that type of thread and then store the capacity as a preset. When you switch to using that type of thread, press appropriate preset button. Insert a full bobbin with that type of thread, press New Bobbin, then press the Alarm button and all of the settings will be based on that type of thread.

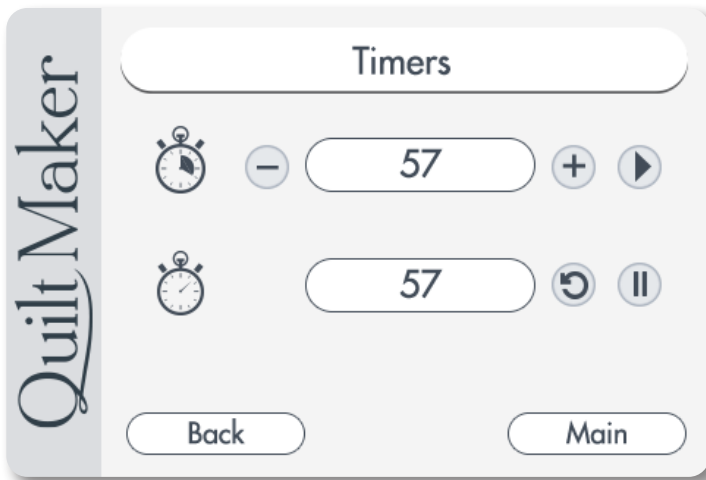


Figure 38

### Timers

There are two useful timers. The first (top) timer is a reminder timer. It enables you to set an alarm to go off after a specific period of time, similar to a kitchen timer. Use the “+” and “-” buttons to set the time duration. Then press the “play” button to activate the timer. When the time duration has elapsed, an alarm will sound and a message appears on the display (Figure 38).

The second (bottom) timer enables you to track how much time you spend on a quilt project. When you begin a new project, press the Reset button. Then press the “play” button to begin recording your quilting time. The timer records when the machine is quilting. The time is saved even when the machine is turned off. When you begin another quilting session, quilting time is added to the timer. Only press Reset when you want to zero-out the timer and begin a new timing session.

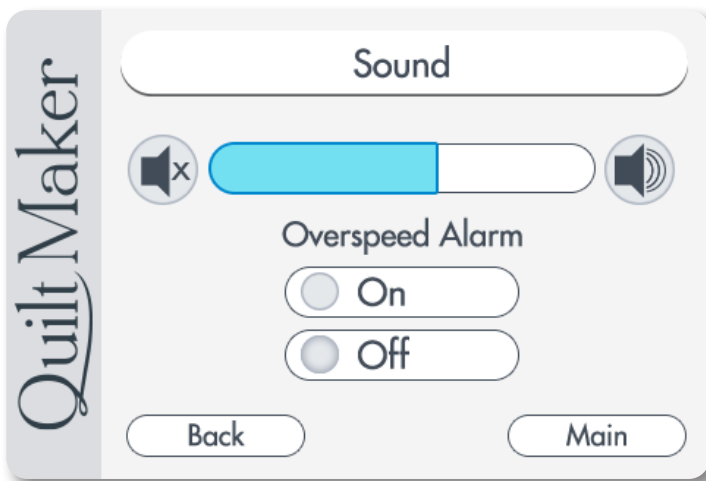


Figure 39

### Sound Screen

The “Volume” portion of this screen has two buttons and a sliding control. Pressing on the “Mute” button turns the alarm volume off. Pressing the “Max” button turns the volume to its loudest level. Pressing the sliding control in any position sets the volume to the level indicated in that control. Pressing and moving back and forth across the sliding control will change the volume up as it is moved left to right and down as it is moved from right to the left. The Over-Speed Alarm box allows the user to turn the alarm on and off. (Figure 39)

Press the “Main” button to return to the “Regulated” or “Manual” menu screen or the “Back” button to return to the “More” menu screen.



Figure 40

### Calculator

A basic calculator is provided. (Figure 40)

Press the “Main” button to return to the “Regulated” or “Manual” menu screen or the “Back” button to return to the “More” menu screen.

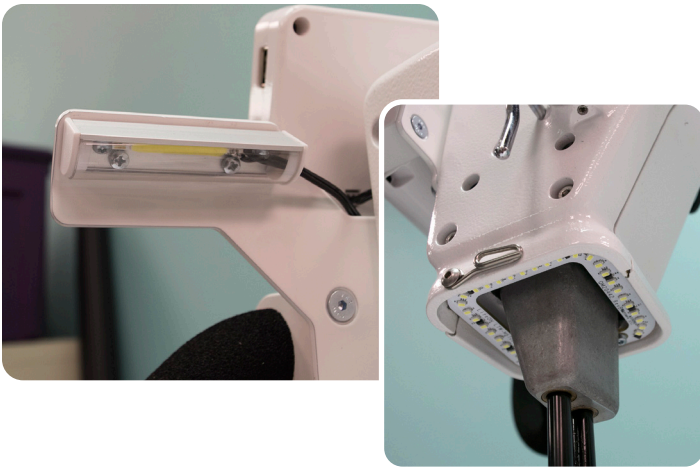


Figure 41

### Lights

The Janome Quilt Maker 18 comes equipped with a light ring around the needle bar, two high intensity LED modules on each side of the display. These lights are directed towards the quilting area. (Figure 41)

Turn lights on or off by touching the light bulb icons. Use the slider to adjust the light brightness from low to high. (Figure 42)

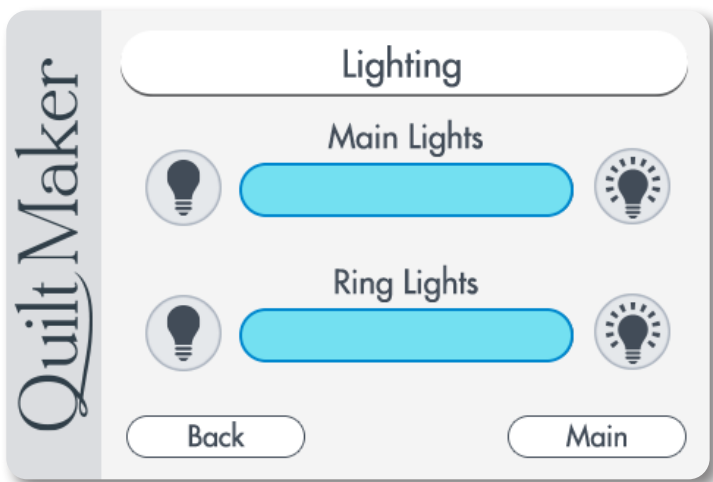


Figure 42

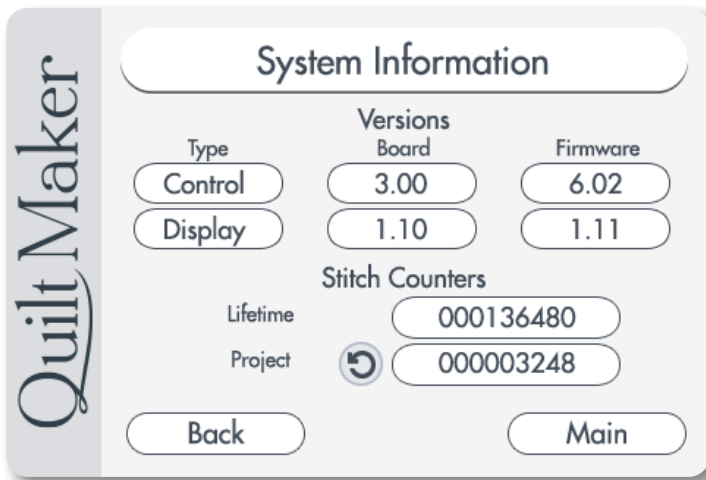


Figure 43

### System Information

Information contained in the white ovals identify the electronics board revision numbers as well as the firmware revision numbers of the Janome Quilt Maker 18 and its handlebars. The Lifetime and Trip (or project) stitch counters count the number of stitches the machine has performed. The Lifetime count is the total number of stitches made since the machine was built. The Trip Counter can be reset to keep track of the number of stitches made during a given project. To reset this counter, press the blue "Reset" button just to the left of the "Trip" box. The Lifetime counter cannot be reset and should be used as an indicator to determine when general machine maintenance should be performed by an authorized Janome Representative. (Figure 43)

Press the "Main" button to return to the "Regulated" or "Manual" menu screen or the "Back" button to return to the "More" menu screen.

### Set Language

The Janome Quilt Maker 18 screens can appear in English, French, German, or Spanish. On the More Screen, press the lower-left button to cycle between English, Français, Deutsch, and Español. After selecting your preferred language, press Main to return to the Main Screen.

Press the "Main" button to return to the "Regulated" or "Manual" menu screen or the "Back" button to return to the "More" menu screen.

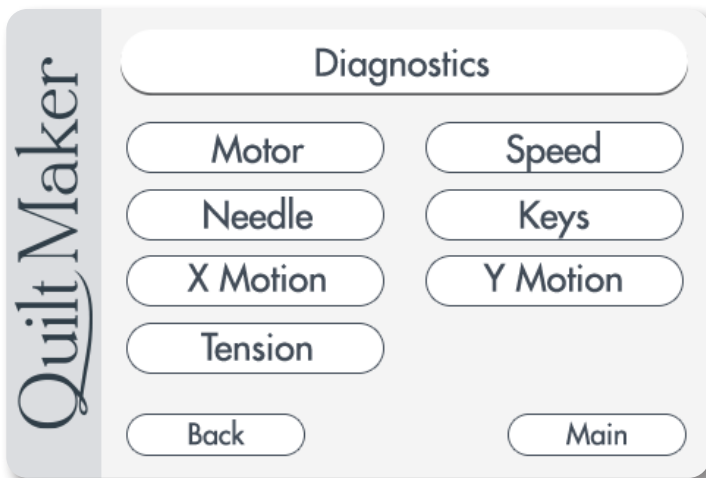


Figure 44

### Diagnostics Screen

Seven different diagnostics tests can be performed on the machine. These functions test the motion encoders, the motor control functions, the key switches and the internal position sensors. (Figure 44)

Press the "Main" button to return to the "Regulated" or "Manual" menu screen or the "Back" button to return to the "More" menu screen.

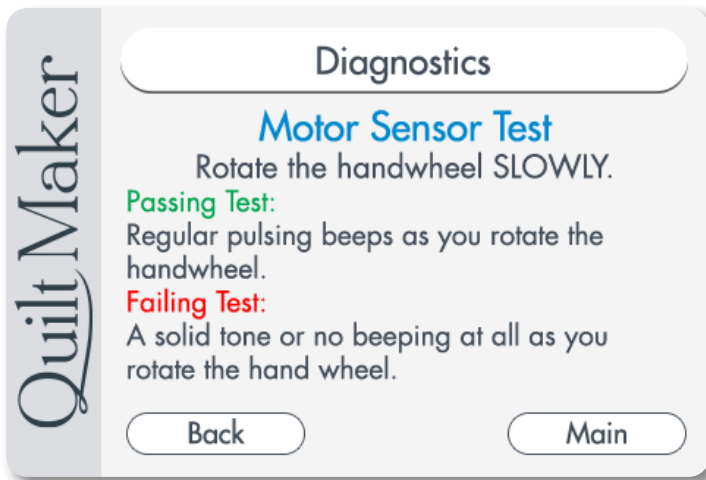


Figure 45

## Diagnostics Tests

### Motor Sensor Test

The “Motor” Sensor test can help you determine whether there may be a problem with the Janome Quilt Maker 18 motor. Slowly rotating the handwheel should result in a pulsing audible “beep.” If you get a constant solid “beep” or no “beep” at all, this indicates a failed test and the machine should be inspected by a qualified Janome repair technician. (Figure 45)

Press the “Main” button to return to the “Regulated” or “Manual” menu screen or the “Back” button to return to the “More” menu screen.

### Needle Sensor Test

The Needle Sensor test will indicate whether the needle position sensor is functioning properly. Rotating the handwheel should result in a “beep” for half of a stitch cycle followed by no “beep” for the other half. (Figure 46)

If you hear a constant beep or no beep at all for a full 360° rotation of the handwheel, this indicates a failed test and the machine should be inspected by a qualified Janome repair technician.

Press the “Main” button to return to the “Regulated” or “Manual” menu screen or the “Back” button to return to the “More” menu screen.

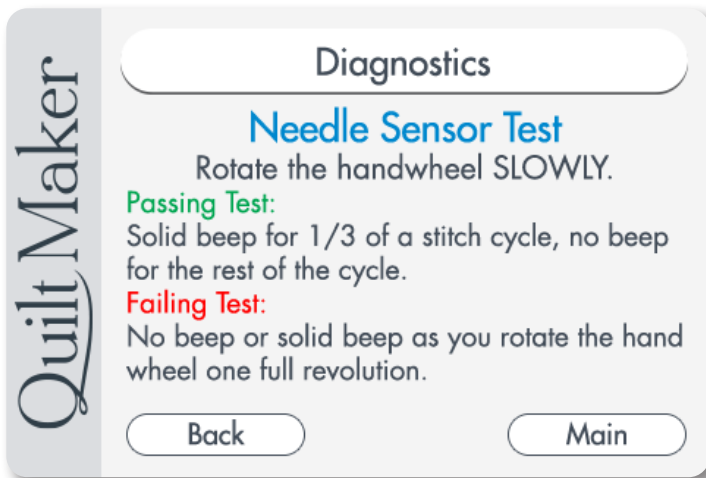


Figure 46

### X Motion Sensor Test

Use the X Motion Sensor test to verify functionality of the “X” stitch regulator encoder (the encoder mounted at the rear of the carriage). As you slowly move the carriage left and right you should hear a pulsing “beep” that pulses faster as you move faster. A solid beep, no beep, or periods of irregular beeping (with constant motion) indicate a problem with the “X” encoder. The most likely cause of a problem is a stitch regulator wheel that is not making consistent contact with the track. Check the spring tension on the sensor assembly on the carriage to assure that it will easily return to the fully extended position after being compressed. Also assure that the track is straight with no dips or indentations and that it is clean and free of contamination. Other causes are an unplugged or damaged cable or possibly an issue with the main control board. (Figure 47)

Press the “Main” button to return to the “Regulated” or “Manual” menu screen or the “Back” button to return to the “More” menu screen.

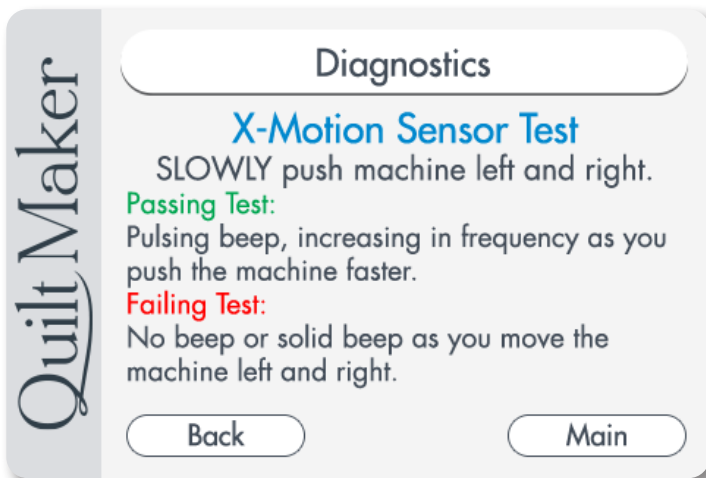


Figure 47

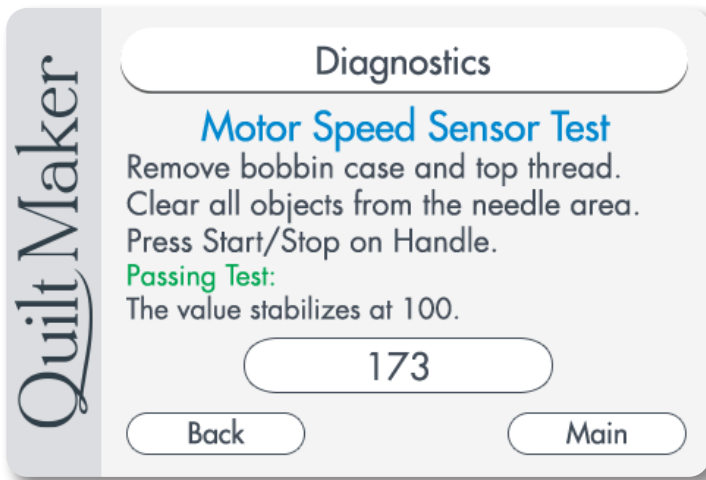


Figure 48

### Motor Speed Sensor Test

The “Speed” Sensor test can help you determine whether or not there is a problem with the Janome Quilt Maker 18 speed sensor. Before performing this test, remove the bobbin case and the top thread. Press the “Start” button and the machine will begin slowly rotating. The white box will show a number that should stabilize at 100 if the sensor is functioning properly. Pressing “Start” again will stop the machine. (Figure 48)

Press the “Main” button to return to the “Regulated” or “Manual” menu screen or the “Back” button to return to the “More” menu screen.

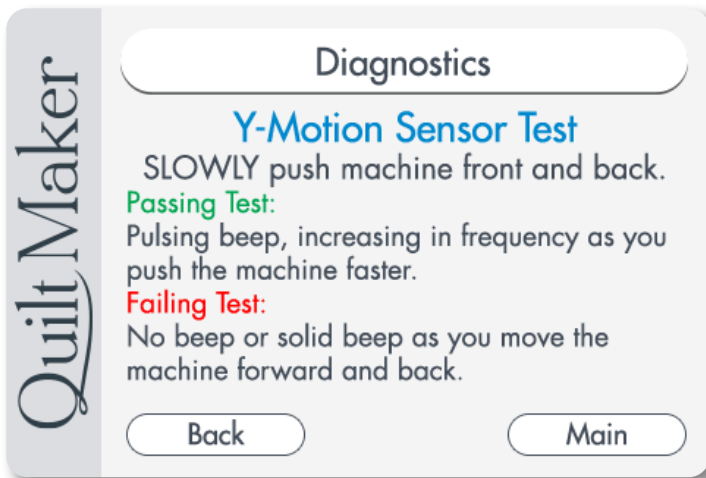


Figure 49

### Y Motion Sensor Test

Use the Y Motion Sensor test to verify functionality of the “Y” stitch regulator encoder (the encoder mounted to the rear power pod side machine wheel). As you slowly move the carriage toward and away from you, you should hear a pulsing “beep” that pulses faster as you move faster. A solid beep, no beep, or periods of irregular beeping (with constant motion) indicate a problem with the “Y” encoder.

The most likely cause of a problem is a stitch regulator wheel that is not making consistent contact with the track. Check the spring tension on the sensor assembly on the machine to assure that it will easily return to the fully extended (down) position after being compressed. Also assure that the track is straight with no dips or indentations and that it is clean and free of contamination. Other causes are an unplugged or damaged cable or possibly an issue with the main control board. (Figure 49)

Press the “Main” button to return to the “Regulated” or “Manual” menu screen or the “Back” button to return to the “More” menu screen.

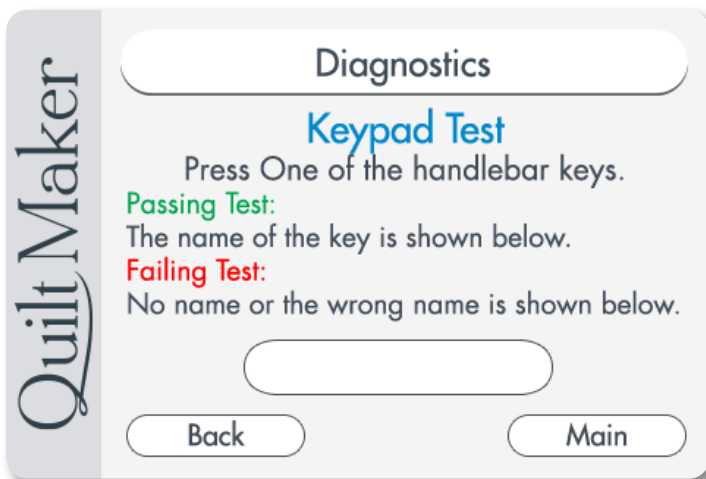


Figure 50

### Keypad Test

The Keypad test allows the user to press any of the four keys on the front or back handles to verify that the Janome<sup>18</sup> Quilt Maker 18 is reading the buttons as they are pressed. When a key is pressed the name of the key that is pressed will appear in the white box. When it is released, the name will disappear. Perform this test on the rear display for the rear keys, and the front display for the front keys. (Figure 50)

Press the “Main” button to return to the “Regulated” or “Manual” menu screen or the “Back” button to return to the “More” menu screen.



## Tension Indicator

**Calibration should only be done under the guidance of a Janome Certified Technician.**

Carefully remove tension knob. Gently press spring against tension discs but do not compress the spring. While holding spring in place, press the Reset button. Replace the tension knob.



185

Back

Main

Figure 51

### Calibrate Tension

The Tension button enables you to calibrate the tension device (Figure 51). You should only calibrate the tension device under the direction of Janome technical support.

While calibrating the tension, you will be asked to do the following:

1. Remove the tension knob.
2. Gently press the spring against the tension discs while not compressing the spring.
3. While holding the spring in place, press Reset.
4. When calibration is complete, replace the tension knob.

# Janome STITCH REGULATOR OPERATION

## Choose from Two Types of Stitch Regulation: Cruise or Precision

In regulation mode the status box at the top left of the screen should say “Regulated”. If it says “Manual”, simply press the “Regulated” button on the touch screen to switch from “Manual” mode to “Regulated” mode.

### IMPORTANT NOTES ABOUT TURNING STITCH-REGULATION ON OR OFF

You can stop the machine at any time by pushing either the “Start/Stop” or the “Needle Up/Down” key on the handles. In **Cruise Regulation** mode, if you don’t move the machine after 3 or 4 seconds, the machine will stop and position the needle. In **Precision Regulation** mode, the needle pauses when you stop moving the machine and will begin stitching again when you start moving the machine. Press the “Start/Stop” (or “Needle Up/Down”) key in Precision Regulation mode to stop the needle completely and cause the needle to position itself in the Needle Up or Down position.

### Cruise Regulation Mode

When in Cruise Regulation mode, the start indicator box in the top center of the “Regulated” screen is red. When you press the “Start/Stop” key to start the machine, the indicator will turn green AND the needle will begin moving up and down.

The minimum speed of the needle is dependent upon the setting you choose (from 3% to 50%). Janome recommends beginning with a setting of 3%.

### When to Use Cruise Regulation Mode

The constant minimum stitching speed featured in the Cruise Regulation mode is used for precise placement of stitching when backtracking (such as along the tops of feathers) or when creating sharp points (such as the point of a star or the bottom of a heart).

### Precision Regulation Mode

When in Precision Regulation mode, the start indicator box in the top center of the “Regulated” screen is red. When you press the “Start/Stop” key to start the machine, the indicator will turn green. As you start moving the machine, it will begin stitching. When you stop moving the machine, the needle pauses (sometimes in mid-stroke.)

When you press the “Start/Stop” (or “Needle Up/Down”) key to stop the machine, the indicator will turn red, showing that the needle will not move when you move the machine.

**Always make sure the indicator is RED when you are in Precision Regulation mode prior to working with your hands near the needle (changing the needle, replacing the bobbin, etc.) to avoid unwanted stitching in your quilt or your hands!**

If you leave the Janome Quilt Maker 18 in Precision Regulation mode with the start indicator box green and do not move the machine for two minutes, the system will “time-out” and a message box will appear. This indicates that the system has stopped and you will need to press the “Start” button again to resume quilting.

### When to Use Precision Regulation Mode

Precision Regulation mode is especially useful for ruler work. Stitch along the length of the ruler for the span of your hand and stop. When you stop moving the machine, the needle pauses. Do not turn off the machine. Move the ruler and commence quilting. The Precision Regulation helps you avoid “bobbles” and uneven stitches.

### Quilting Speed While in Stitch-Regulation Mode

It is important not to move the machine too fast, since this will result in an **OVERSPEED CONDITION**, during which, the machine cannot maintain stitch regulation until you slow your motions to an appropriate speed. The Overspeed Alarm will alert you to this condition, giving you the signal to slow down. Stitch regulation is not a license to move the machine as fast as you can. Its purpose is to maintain even stitches while quilting at an appropriate speed.

You can return to manual mode by pushing the “Manual” button below the “Regulated” button on the touch screen display.



# Getting Started Quilting

## Thread Requirements

Threads have a tendency to dry rot over a period of time. Be sure to choose high quality threads for your valuable heirloom quilts. Most machine quilting threads on the market today are acceptable.

## Needle Requirements

For general quilting, a size 16/100 needle will accommodate most threads and fabrics.

Heavier threads, such as top stitch and some decorative threads, require a larger needle such as 18/110 or 20/120. Lofty batts and heavier fabrics such as denim, canvas or densely woven fabric may also require a larger needle.

## To Prepare for Quilting

With any quilting machine, it is important to understand the basics of free motion quilting. The Janome Quilt Maker 18 does not have feed dogs like domestic machines; therefore, the fabric does not automatically feed under the hopping foot. The operator should synchronize the speed as well as the movement of the machine to get an even, consistent stitch.

In order to become comfortable with the free motion of the Janome Quilt Maker 18, users can begin with a few “beginner” techniques.

In Manual Mode: Set the machine at a medium speed and begin moving it until you become accustomed to the resistance. By moving the machine faster, the stitches begin to elongate. The stitch speed can either be increased or the machine can be moved slower to get the stitches back to the desired length. By moving the machine slower, the stitches get shorter and can build up on top of each other, breaking the thread or making it extremely difficult to unpick. The stitch speed can be decreased, while maintaining a constant motion with the machine to bring the stitches back to the desired length.

In Stitch Regulator Mode: Set the machine to desired stitch length. Begin moving the machine to become accustomed to the resistance. The machine motor will slow down or speed up to maintain a consistent stitch length according to how quickly or slowly you move the machine. Moving the machine too fast or in radical or jerky movements will defeat the stitch regulator function.

In MANUAL or CRUISE REGULATION mode, when

pressing the “Start/Stop” key on the front or rear handle bars to begin quilting make certain to begin moving the machine immediately. If the needle stitches in one place too long, the stitches build up on top of each other causing a build-up of thread or thread breakage. When bringing the machine to a complete stop press the “Start/Stop” key at the same moment the machine stops moving. If the machine is still moving when the “Start/Stop” key is pressed, it can cause deflection in the needle, possibly causing it to bend or break.

In PRECISION REGULATION mode, the needle will not begin moving when you press the “Start/Stop” key until you begin moving the machine.

When quilting, relax your hands and maintain a light touch on the handlebars. Gripping the handlebars too tightly may cause body tension resulting in poor quilting quality. The Janome<sup>18</sup> Quilt Maker 18, combined with the Quilt Maker 18 Frame system will give you a smooth even glide.

# Troubleshooting

You can correct many problems on your own. If you need additional help, contact your local, authorized Janome retailer. You can also contact Janome Monday through Friday 8:30AM - 5:00PM EST, 1-800-631-0183 option 3 .

**First check the following:**

The AC power cord is properly connected and the power switch is turned on.

Confirm that all cables are properly seated into their connections.

Turn off the machine completely. Wait for at least ten seconds and then turn it back on.

If the above checks did not solve the problem, refer to the information below.

Skipped Stitches	Corrective Measure(s)
The needle is damaged, dull, bent, or installed improperly	<ul style="list-style-type: none"> <li>• Replace the needle regularly, at least once per quilt. Use only the recommended needle system.</li> <li>• Always change the needle if the needle has struck any hard object such as a straight pin, etc. The tip of the needle can become damaged or burred, resulting in fabric damage as well as skipped stitches, thread breakage, or shredding.</li> <li>• Always change the needle if it has been hit, bumped or pulled off center while maneuvering the machine about the quilt. A slightly bent needle can be a major cause of skipped stitches.</li> </ul>
Incorrect needle size	<ul style="list-style-type: none"> <li>• Use the proper size of needle for the work and thread being used. Some battings and fabrics used in quilting may constrict or impede the thread passing through the front groove of the needle. This diminishes the loop lift required for stitch formation. Typically, a larger needle will solve the problem. However, using certain smaller sizes of needles and ball pointed needles solve some specific problems. You will need to experiment to determine which work best with your combination of fabric, thread, and batting.</li> </ul>
Fabric is too tight on the frame	<ul style="list-style-type: none"> <li>• Loosen the pole tension on the frame. Fabric that is rolled too tightly causes the fibers to separate and the fabric to bounce while quilting. This reduces the needle friction on the thread, resulting in a smaller thread loop or skipped stitches.</li> </ul>
Thread tension too tight	<ul style="list-style-type: none"> <li>• Check bobbin case tension and then check top thread tension. (For more information about adjusting tension, see Bobbin and Bobbin Tension and Top Thread Tension in the Using Your Machine section of this manual.)</li> </ul>

# Troubleshooting

<p>The needle is not positioned properly</p>	<ul style="list-style-type: none"> <li>• Position the needle properly to the needle bar. Inspect the position of the needle to make sure the needle is at the 6 o'clock position. When you stand directly in front of the needle (facing the bobbin case side of the machine), you will see the entire needle eye directly facing you. This is 6 o'clock position.</li> <li>• Make sure (a) the needle is installed all the way into the needle bar to the needle-stop hole in the needle bar, (b) the long groove in the needle is toward the front (bobbin case side), and (c) the scarf (scooped out part of the back of the needle) is toward the back of the machine.</li> <li>• The needle can sometimes be rotated to 5 o'clock (slightly right) or 7 o'clock (slightly left) to adjust for a more positive thread loop pickup by the hook point.</li> </ul>
<p>Improper threading</p>	<ul style="list-style-type: none"> <li>• Ensure that the machine is threaded correctly.</li> </ul>
<p><b>The Needle Breaks</b></p>	<p><b>Corrective Measure(s)</b></p>
<p>The needle is bent or not installed properly</p>	<ul style="list-style-type: none"> <li>• Replace the needle. Make sure that the needle is pushed into the needle bar clamp until it can go no farther. Visually check that it is up to the top of the stop/sight hole above the needle bar clamp screw. If the needle isn't installed properly, it can cause damage in the bobbin area and needle plate.</li> </ul>
<p>The needle hits the needle plate</p>	<ul style="list-style-type: none"> <li>• Correctly position the needle, needle plate, or hopping foot. Replace with a new needle.</li> </ul>
<p><b>Stitches are Puckered</b></p>	<p><b>Corrective Measure(s)</b></p>
<p>The tension is not balanced.  Top and bottom tension are both too tight.</p>	<ul style="list-style-type: none"> <li>• Balance the tension of the needle thread after ensuring the bobbin tension is adjusted correctly. (For more information about adjusting tension, see Bobbin and Bobbin Tension and Top Thread Tension in the Using Your Machine section of this manual.)</li> </ul>
<p>Needle too large for quilting fabric</p>	<ul style="list-style-type: none"> <li>• Replace the needle with a size better suited for the fabric.</li> </ul>
<p><b>Poor Stitch Quality</b></p>	<p><b>Corrective Measure(s)</b></p>
<p>The tension is not balanced</p>	<ul style="list-style-type: none"> <li>• Balance the tension of the needle thread after ensuring the bobbin tension is adjusted correctly. (For more information about adjusting tension, see Bobbin and Bobbin Tension and Top Thread Tension in the Using Your Machine section of this manual.)</li> </ul>
<p>Bobbin case is damaged, corroded, dirty, etc.</p>	<ul style="list-style-type: none"> <li>• Since thread slides over the surface of the bobbin case at a high speed, make sure the case is free of any lint or foreign matter that could impede thread passage through the machine.</li> </ul>
<p><b>Loose Display Housing</b></p>	<p><b>Corrective Measure(s)</b></p>
<p>Loose display housing</p>	<p>Loosen handle bar clamp bolts, rotate handlebars to desired position and push together, tighten clamp bolts.</p>

## Troubleshooting

Moving the machine too fast for needle speed selected (Manual mode)	<ul style="list-style-type: none"> <li>• Synchronize machine movement and needle speed to get roughly 8 to 10 stitches per inch. Elongated stitches are an indication of moving the machine too fast for the current speed.</li> </ul>
<b>Tension is Poor</b>	<b>Corrective Measure(s)</b>
Lint caught under the tension spring in the bobbin	<ul style="list-style-type: none"> <li>• If using short staple threads, inexpensive, or industrial threads, or coated threads, lint and other material will build up under the tension spring and begin to lift the spring, reducing the spring's ability to compress against the thread. Insert a needle or business card under the spring and clear out the lint. The bobbin tension will return fairly close to its preset tension. Test the tension before quilting.</li> </ul>
<b>Hand Wheel Won't Rotate</b>	<b>Corrective Measure(s)</b>
Thread is entangled and caught in the hook	<ul style="list-style-type: none"> <li>• Turn off the machine and unplug the machine from the electrical outlet. Lubricate the hook, strongly turn the hand wheel clockwise and if necessary counterclockwise several times, and then remove the thread caught in the hook.</li> </ul>
<b>Thread Nests Under Quilt</b>	<b>Corrective Measure(s)</b>
Not enough tension on top thread	<ul style="list-style-type: none"> <li>• Check that the machine is threaded correctly. Make certain that the thread is flossed snugly in place between the two tension discs. If the machine is threaded correctly, tighten top tension by rotating the tension knob clockwise. (For more information about adjusting tension, see Bobbin and Bobbin Tension and Top Thread Tension in the Using Your Machine section of this manual.)</li> </ul>
Improper threading	<ul style="list-style-type: none"> <li>• Refer to threading diagram and threading instructions.</li> </ul>
<b>Hard to Guide Machine</b>	<b>Corrective Measure(s)</b>
Carriage wheels not centered on track	<ul style="list-style-type: none"> <li>• Center the carriage wheels on top of the continuous track. Check that the machine carriage has not jumped the track.</li> </ul>
Thread caught in wheels	<ul style="list-style-type: none"> <li>• Remove all thread or debris in wheels. Check that the tracks are free of lint and threads.</li> </ul>
<b>Motor Fails to Run</b>	<b>Corrective Measure(s)</b>
On/Off switch turned off	<ul style="list-style-type: none"> <li>• Turn the machine on by using the switch on the back power pod.</li> </ul>
Machine not receiving power	<ul style="list-style-type: none"> <li>• Check that the power connector is securely plugged into the back of the machine and the three-prong end is plugged into the power source.</li> </ul>

\* If the troubleshooting above does not eliminate the problem, please consult an authorized Janome Quilt Maker 18 representative.

# Troubleshooting

<b>Uneven Quilt Design</b>	<b>Corrective Measure(s)</b>
Take-up rollers may be bowed or bent	<ul style="list-style-type: none"> <li>• Make certain the fabric is not rolled too tight, causing the poles to bow. Check that poles are inserted completely together with the push pins engaged so bowing won't occur.</li> </ul>
Leaders are stretched or worn	<ul style="list-style-type: none"> <li>• If fabric is beginning to stretch or fray, contact Janome to purchase replacement leaders. Do not wash the leaders.</li> </ul>
<b>Thread Breaks</b>	<b>Corrective Measure(s)</b>
Thread is poor quality or may have severe twisting or thread rot	<ul style="list-style-type: none"> <li>• Look for severe twisting of threads when approximately 12 to 15 inches has been pulled off, with the ends pinched together. Cotton threads are particularly susceptible to dry rot or wet rot which makes thread brittle. Do not use poor quality thread, or thread that is rotted or brittle.</li> </ul>
Top and bobbin tensions not balanced	<ul style="list-style-type: none"> <li>• Balance the tension of the needle thread after ensuring the bobbin tension is adjusted correctly. (For more information about adjusting tension, see Bobbin and Bobbin Tension and Top Thread Tension in the Using Your Machine section of this manual.)</li> </ul>
The machine head has been threaded incorrectly or thread spools are not positioned correctly	<ul style="list-style-type: none"> <li>• Check that the machine is threaded correctly.</li> <li>• Inspect for accidental double wrapping of thread on thread guides.</li> <li>• Inspect the thread mast, making sure the eyelets of the mast are directly over the spools.</li> <li>• Inspect the vertical positioning of the thread cones. Tipped cones can dramatically affect thread tension and can cause breakage.</li> </ul>
Debris in tension discs	<ul style="list-style-type: none"> <li>• Inspect for particles and remove any fuzz or debris.</li> </ul>
Bobbin rotation is not smooth	<ul style="list-style-type: none"> <li>• Change the bobbin. The slightest hesitation of the bobbin rotation can be the cause of dramatic tension change and thread breakage.</li> </ul>
Needle is burred, bent or dull, or installed incorrectly	<ul style="list-style-type: none"> <li>• Change the needle at least once per quilt. Make sure the needle is installed to the top of the stop hole in the needle bar.</li> </ul>
Needle not suitable for thread	<ul style="list-style-type: none"> <li>• Replace the needle to one better suited for the thread. Use the proper size needle.</li> </ul>
Hesitating too long at one point in quilting motif	<ul style="list-style-type: none"> <li>• Move more quickly so stitches don't overlap or build up. When starting the machine, begin moving immediately. Sewing in one place too long will cause the thread to break.</li> </ul>

## Troubleshooting

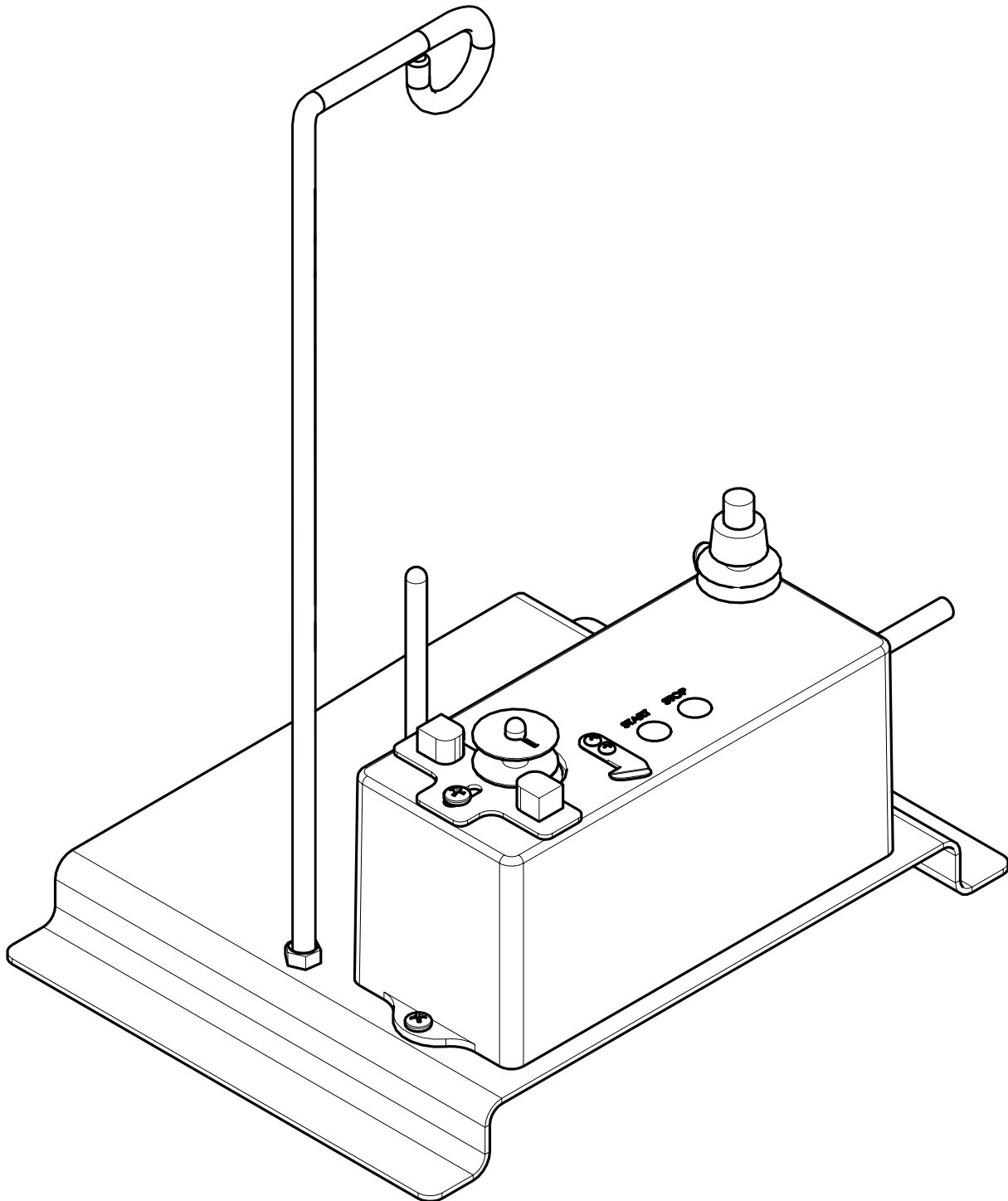
Improper needle/hook relationship	<ul style="list-style-type: none"> <li>Machine timing needs to be checked. Consult an authorized Janome technician.</li> </ul>
Damage or burr at needle hole of needle plate or other thread handling part	<ul style="list-style-type: none"> <li>If thread is shredding at the needle plate, check for burrs or jagged edges. Gently rub with metal cloth to remove the sharp edge. Consult a repair technician to polish any hard-to-reach or delicate areas, or if the burr is inside the throat.</li> </ul>
Wrong type of needle	<ul style="list-style-type: none"> <li>Use only the needles recommended by Janome: 134 (135x7) sizes 12 through 20.</li> </ul>
Other possible problems	<ul style="list-style-type: none"> <li>Needle too close to hook, causing friction and possible collision of hook point and needle (causing broken thread).</li> <li>Needle plate damage</li> <li>Hook damage</li> <li>Broken needles or damaged needle bar clamp</li> </ul>
<b>Nothing visible on the display</b>	<b>Corrective Measure(s)</b>
Display cables unplugged	<ul style="list-style-type: none"> <li>Locate the black cables that plug into the touch-screen display and connect to the side of the machine. Make sure both ends are plugged in securely.</li> </ul>

**Note:** If the troubleshooting tips do not eliminate the problem, please consult an authorized Janome Quilt Maker 18 representative.

# BOBBIN WINDER

---

USER MANUAL  
September 2020, Part number HG00461



## Bobbin Winder: Table of Contents

Important information.....	40
General Safety Considerations .....	41
Environmental Considerations.....	41
Bobbin Winder Assembly.....	42
Bobbin Winder Adjustments .....	43
How to Wind a Bobbin on the Bobbin Winder.....	44



# Important Information

## Regulatory Information

This equipment has been tested and found to comply with the limits for a Class B digital device, pursuant to part 15 of the FCC Rules. These limits are designed to provide reasonable protection against harmful interference in a residential installation. This equipment generates, uses, and can radiate radio frequency energy and, if not installed and used in accordance with the instructions, may cause harmful interference to radio communications. However, there is no guarantee that interference will not occur in a particular installation. If this equipment does cause harmful interference to radio or television reception, which can be determined by turning the equipment off and on, the user is encouraged to try to correct the interference by one or more of the following measures:

- Reorient or relocate the receiving antenna.
- Increase the separation between the equipment and Receiver.
- Connect the equipment into an outlet on a circuit different from that to which the Receiver is connected.
- Consult the dealer or an experienced radio/TV technician for help.

This Class B digital apparatus complies with Part 15 of the U.S. Federal Communications Commission (FCC) rules, Canadian ICES-003 and RSS-210. Operation is subject to the following two conditions: (1) this device may not cause interference, and (2) this device must accept any interference received, including interference that may cause undesired operation.

## Réglementations

Cet appareil numérique de la classe B est conforme aux norms NMB-003 et CNR-210 du Canada. Son fonctionnement est assujetti aux deux conditions suivantes: (1) Cet appareil ne puet pas provoquer d'interférences nuisibles et (2) cet appareil doit accepter toute interference recue, y compris les interferences pouvant entraîner un fonctionnement non desire.

## Specifications

### Bobbin Winder

- Input Power - 12Vdc at 2.5 A maximum
- Variable speed winding
- 3600 rpm maximum winding speed
- Auto-shut off sensor
- Auto-shut off after 5 minutes

### Bobbin winder power supply

- Input: 100 - 240VAC 50/60Hz 50VA
- Output: 12Vdc at 3A

## General Safety Considerations



### WARNING

To protect against risk of fire, bodily injury, electrical shock or damage to the product:

- Do not immerse any part of this product in water or other liquid.
- Do not spray liquid on this product or allow excess liquid to drip inside.
- Do not use this product if it has sustained damage, such as a damaged cord or plug.
- Clean only with a damp cloth. Use water and a light detergent such as dishwashing detergent if needed.



### AVERTISSEMENT

Pour protéger contre tout les risques de feu, blessures corporelles, chocs électrique ou risque d'endommager ce produit.

- Ne pas immerger aucune partie de ce produit dans l'eau ou tout autre liquide.
- Ne jamais vaporiser cette machine ou permettre un excès de liquide de tomber goutte à goutte à l'intérieur.
- Ne jamais utiliser la machine si elle a été endommagée, tel que corde électrique ou prise de courant avarié.
- S'il est nécessaire de nettoyer

## Environmental Considerations

### Recycling Information

Janome recommends customers dispose of any used electronic products in an environmentally sound manner by reusing parts or whole products and recycling products, components and/or materials.

### Waste Electrical and Electronic Equipment (WEEE) Directive



In the European Union, this label indicates that this product should not be disposed of with household waste. It should be deposited at an appropriate facility to enable recovery and recycling. For information on how to recycle this product in your country, contact your Janome Dealer.

# Bobbin Winder

## Assembly Instructions

March 2021

### Parts List

ITEM	PART #	DESCRIPTION	QTY
1	QM11024	THREAD MAST	1
2	QM10292	SPOOL PIN THREADS CHROME	1
3	QM10885	SCREW - M4 X 10 PHP ZN	2
4	HG00461	BOBBIN WINDER	1
5	HG00461-1	BASE PLATE-BOBBIN WINDER	1

### Tools Needed (not provided):

- #2 Phillips screwdriver
- 10mm wrench
- 8mm wrench
- Protective cloth (such as a terry washcloth)

## Section 1: Bobbin Winder Assembly

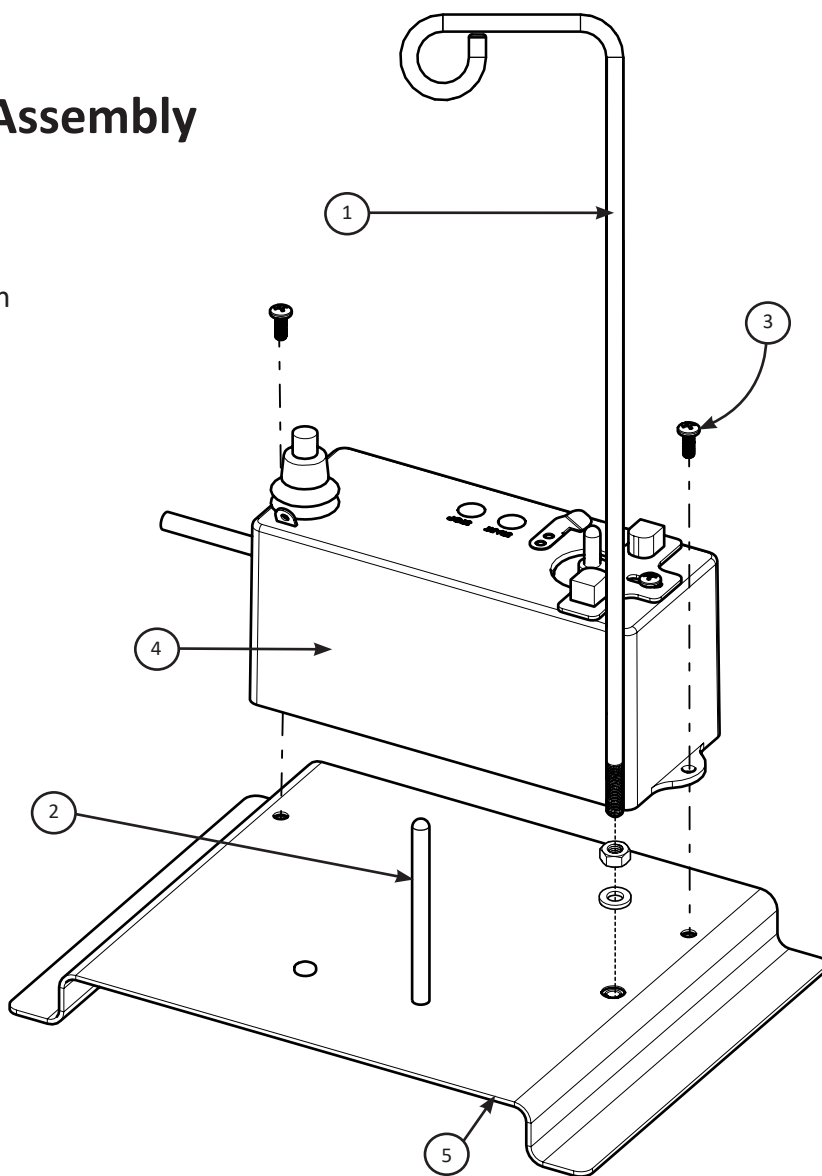
**Step 1:** Attach the bobbin winder assembly (item 4) to the base plate (item 5) with two M4 X 10 screws (item 2).

**Step 2:** Tighten the two screws firmly with a #2 Phillips screwdriver (not provided).


**Step 3:** Thread the thread mast assembly (item 1) into the base plate.

**Step 4:** Tighten the thread mast nut with a 10mm wrench (not provided).

**Step 5:** Tighten the spool pin as needed with a protective cloth, such as a terry washcloth, and an 8mm wrench (not provided).



## Section 2: Bobbin Winder Adjustments


 **NOTE:** The bobbin winder has adjustments that will greatly enhance its performance and ensure the quality of the wind on the bobbins:

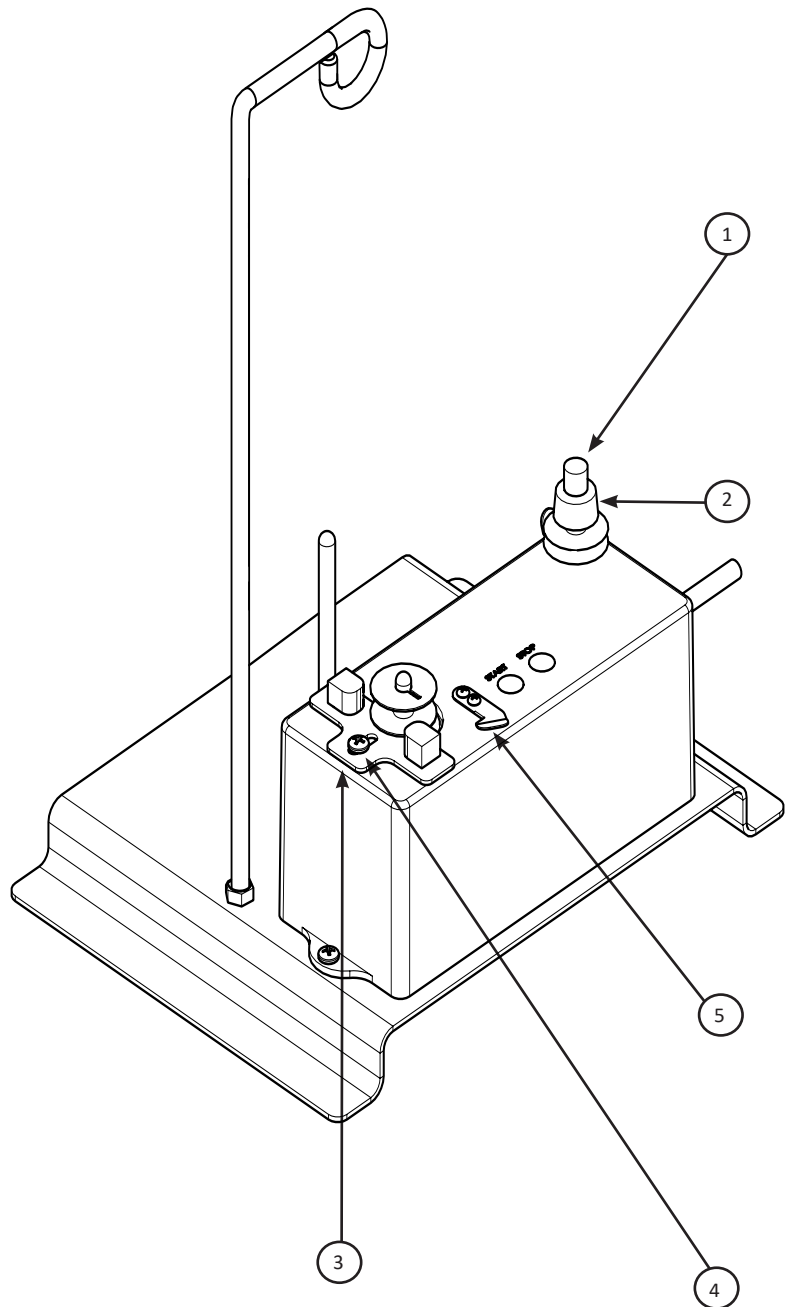
**Vertical Fill Adjustment:** Turn the smaller top knob (item 1) up or down until the thread bounces up and down and fills the bobbin evenly, top to bottom within the bobbin flanges.

**Tension Adjustment:** Turn the lower, larger knob (item 2) clockwise to tighten and counter clockwise to loosen the pre-tension. Turn the knob just tight enough for the bobbin thread to wind firmly. The thread should not be spongy (too loose), or warp the bobbin (too tight). A warped bobbin is rendered unusable. Too much pre-tension will also stretch the thread during winding.

**Amount of Fill Adjustment:** This adjustment determines how full the bobbin will be when the bobbin winder shuts off. The bobbin thread should be a little inside the bobbin flanges, so that the thread will not be too tight within the machine's bobbin case.

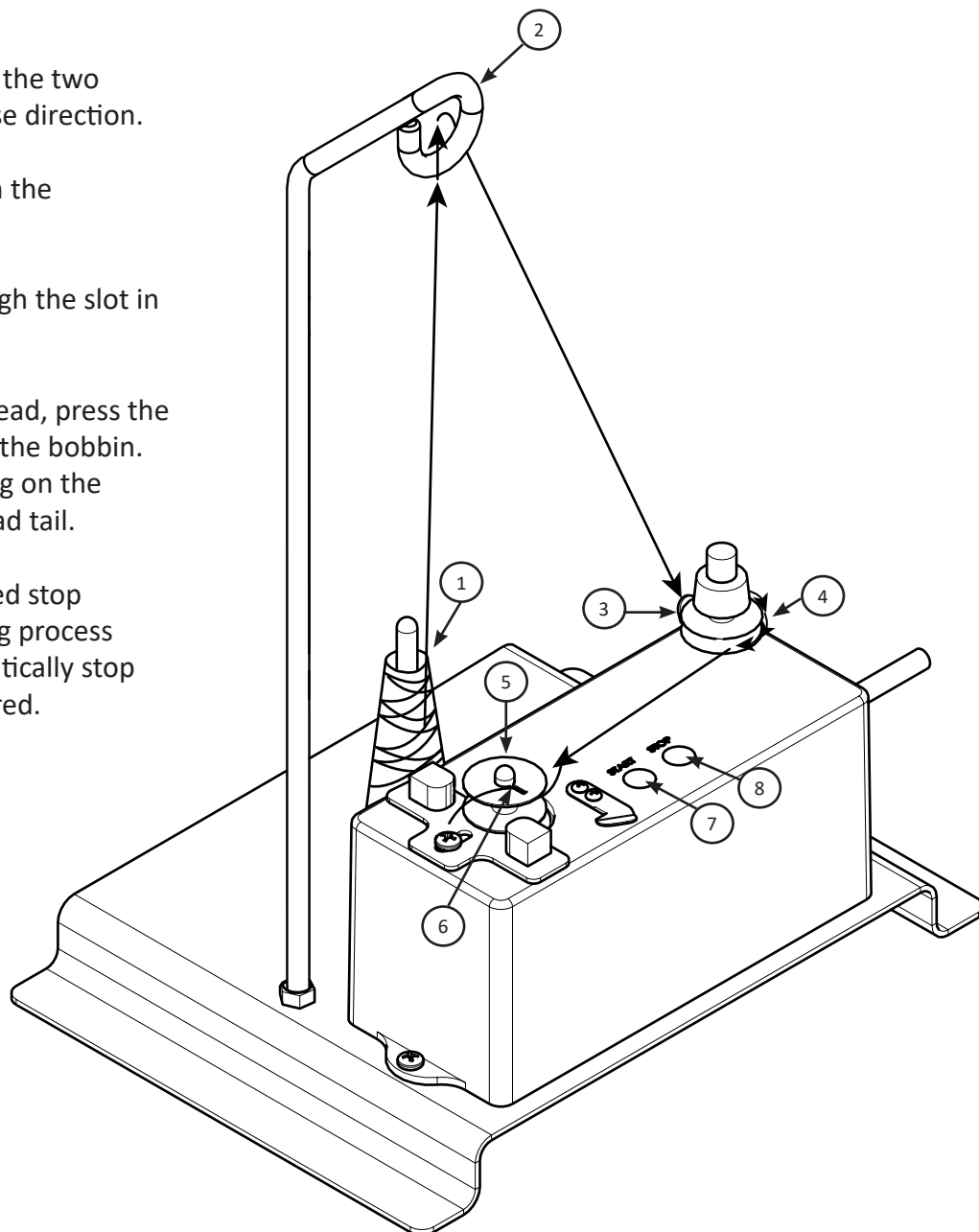
Loosen the screw (item 4) on the sensor (item 3) with a #2 Phillips screwdriver and slide the sensor away from the bobbin for a fuller bobbin or toward the bobbin for less thread wind onto the bobbin.

 **NOTE:** the bobbin winder does have a small thread cutter (item 5) to cut the thread once the bobbin is wound.



## Section 3: How to Wind a Bobbin on the Bobbin Winder

- Step 1:** Place cone or spool of thread on the spool pin at the back of the bobbin winder.
- Step 2:** Pull the thread up and through the top loop on the thread mast that should be directly above the spool of thread.
- Step 3:** Run the thread through the small silver thread guide on the back of the tension knob from back to front.
- Step 4:** Floss the thread between the two tension disks in a clockwise direction.
- Step 5:** Place an empty bobbin on the bobbin pin.
- Step 6:** Bring the thread up through the slot in the bobbin.
- Step 7:** Holding the tail of the thread, press the blue Start button to wind the bobbin. Once the thread is winding on the bobbin, let go of the thread tail.
- Step 8:** You can either push the red stop button to stop the winding process or the winder will automatically stop when the sensor is triggered.



# Quilt Maker 18

## Warranty

We thank you for purchasing this Quilt Maker 18 (the “Product”) and hope you will enjoy it for years to come. In the event that your Product needs service covered by this warranty, please contact the authorized Janome dealer from whom you purchased it. To locate an authorized Janome dealer, please call 1-800-631-0183 ext. 774 or visit our web site at Janome.com. Your Product was sold with an instruction booklet. To avoid any unnecessary inconvenience on your part, we suggest that you refer to the instruction booklet before contacting your authorized Janome dealer for service. We also strongly encourage you to register your product on-line at Janome.com.

Janome America, Inc. warrants that the Product will meet the written specifications of Janome America, Inc., all of which are within normal industry standards and included in the instruction booklet. This Janome Quilt Maker 18 warranty is exclusive to the original purchaser of the Product and is provided in respect of normal household use. Janome America, Inc. warrants this Product as follows:

- (a) **1 Year Limited Warranty** - During the first 365 days from date of purchase, Janome will repair any manufacturing defect without charge for parts or labor. All subsequent warranties include parts costs only.
- (b) **10 year Limited Manufacturer’s Warranty** - Janome warrants the sewing head is free of casting or machining imperfections causing product failure. This warranty does not extend to mechanical or electronic/electrical parts, which are covered under a separate warranty, or consequential damage to the head caused by mechanical or electronic/electrical part failures beyond their warranty period.
- (c) **5 year Mechanical Warranty** for any mechanical failure within this period, manufacturer will provide free replacement parts, customer pays for labor and shipping. See warranty exclusions.
- (d) **5 year electronic/electrical warranty** - The electric/electronic components are warranted to be free from manufacturing defects for five years from the date of purchase. If any defect is reported within this period, manufacturer will provide free replacement parts, customer pays for labor and shipping. The 5 year electronic/electrical warranty will be invalid if the machine is left plugged into a power source when not in use.

The limited warranty stated in sections (b), (c) and (d) above shall be limited solely to the replacement of parts which, in the opinion of Janome, are defective in workmanship or material and are returned to Janome, or an authorized repair facility, or such other point or place that may be designated by Janome. All other costs, including cost of freight and shipment for repair under this warranty, shall be the customer’s costs.

This warranty shall be in force only for the original purchaser.

Each of the periods described in above shall hereafter be referred to as a “Warranty Period”, together the “Warranty Periods”.

Irrespective of whether the Product is used commercially or for normal household use, in no event shall this warranty cover needles, needle plates, bobbin cases, fuses, light bulbs, or belts.

### Warranty Exclusions

This warranty is VOID – that is, the Product was purchased without warranty – if you did not purchase it from an authorized Janome dealer within the United States. A list of authorized Janome dealers within the United States is available on our website Janomequilter.com. This warranty will be honored only when the original invoice or sales receipt (indicating the date of purchase, product type and authorized Janome Dealer’s name) is presented together with the defective Product. This warranty will not apply if the serial number on the Product has been altered, deleted, removed, or is illegible. This warranty covers none of the following: (i) periodic maintenance and repair or replacement of parts due to normal wear and tear; (ii) postage, shipping and handling costs and all risks to the Product associated with shipment or transport; (iii) damage resulting from misuse of the Product or failure to provide normal maintenance; (iv) repairs to the Product done by unauthorized dealers, service providers or the purchaser; (v) damage resulting from the use of non-Janome brand parts, supplies, or accessories; (vi) accidents, lightning, fires, water, power surges, or any other cause beyond the reasonable control of Janome America, Inc.

If you suspect a defect in materials or workmanship of your Product, you must report it to the authorized Janome Dealer from whom you purchased it during the Warranty Periods described above. Your authorized Janome Dealer may require you to return the Product to it (properly packaged, freight prepaid) together with a photocopy of your original invoice or sales receipt.

Your authorized Janome dealer will evaluate your report of a possible defect and, if one is discovered, will (at its option) repair or replace the Product, either with an identical Product, or with a substitute product that is substantially similar to the original Product. Your authorized Janome Dealer reserves the right to supply refurbished Products or substitute products provided that they conform to the written specifications of Janome America, Inc. for new Products or new substitute products.

This warranty will also apply to any replacement Product or substitute product. For purposes of establishing the Warranty Periods described above hereof with respect to any replacement Product or substitute product, the original date of purchase of the original Product will continue to apply.

**Specific exclusions of warranty limitations include, but are not limited to, the following:**

- General, consequential, incidental or special damages including damage to fabric or material, the cost of rework or lost profits, the cost of installation or removal of any Products, and any inspection, testing, or redesign caused by any defect or by the repair or replacement of Products arising from a defect in any Product.
- Products which are received by Janome improperly packaged, altered, or physically damaged.
- Counterfeit or altered label(s) or stickers.
- Broken pins on connectors.
- Stripped screws or nuts.
- Connector(s) damaged, cracked, missing or broken.
- Missing, torn or punctured seal(s).
- Any use besides machine quilting applications using customary fabrics, threads and accessories.
- Operator error in the customary use of the Product.
- Internal adjustments, tampering or parts replacement done by anyone except authorized Representatives or customers specifically authorized by Janome Customer Support or warranty repair personnel on a case by case basis.

The warranty does not cover and the user assumes the risk of and there is hereby excluded any liability to Janome for failure, defects, loss, deterioration, personal injury or damage which are due to: (1) ordinary wear and tear or exposure, (2) abuse, misuse, negligence, or (3) use of parts not authorized by Janome.

**Product Service and Maintenance**

Replace needles every 2-4 hours (1-2 per large quilt) and lubricate bobbin hook every 3-4 hours of use. Periodically check the thread tensioner. Use a small brush to clean out all lint, loose thread or obstructions from the bobbin hook.

Servicing is recommended annually from a qualified Representative. Servicing will cover belt tensioning, encoder positioning, bearing retainers, hook axial play and timing, presser and needle-bar adjustment and internal lubrication to take-up lever, hopping foot levers, bushings/bearings.

This warranty will be governed by the laws of the state in which you purchased the Product (“Applicable Law”). Unless otherwise required by Applicable Law, Janome America, Inc. shall in no event be liable for incidental or consequential damages arising directly or indirectly from the use or inability to use the Product or any substitute product for any reason. Any implied warranties of merchantability or fitness for purpose of the Product or any substitute product are limited to the Warranty Periods described in paragraph 2 above. Other than as specified herein or as required by Applicable Law, all other warranties, conditions, or liabilities, whether express or implied by operation of law or otherwise, are hereby expressly excluded, and Janome America, Inc. hereby disclaims all other warranties, conditions or liabilities.







