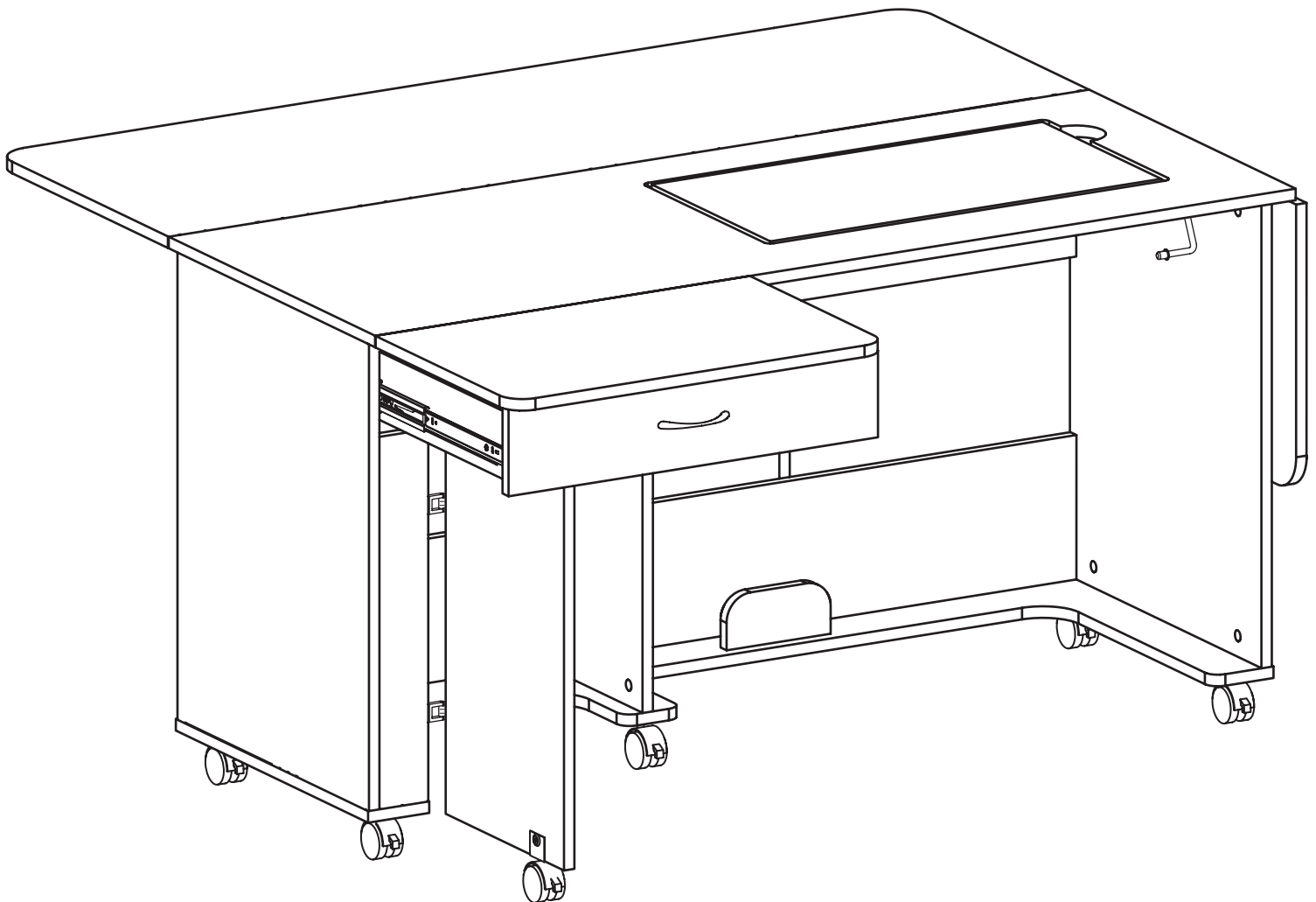


ASSEMBLY INSTRUCTIONS

Christa

ITEM NO.: 1401 White



General Assembly Guidelines

1. Read the instructions carefully before beginning the assembly process to ensure proper assembly of this product. Please open and inspect the contents of box(es) to see that all parts and hardware are included.

2. Tools Required



Phillips Screwdriver +

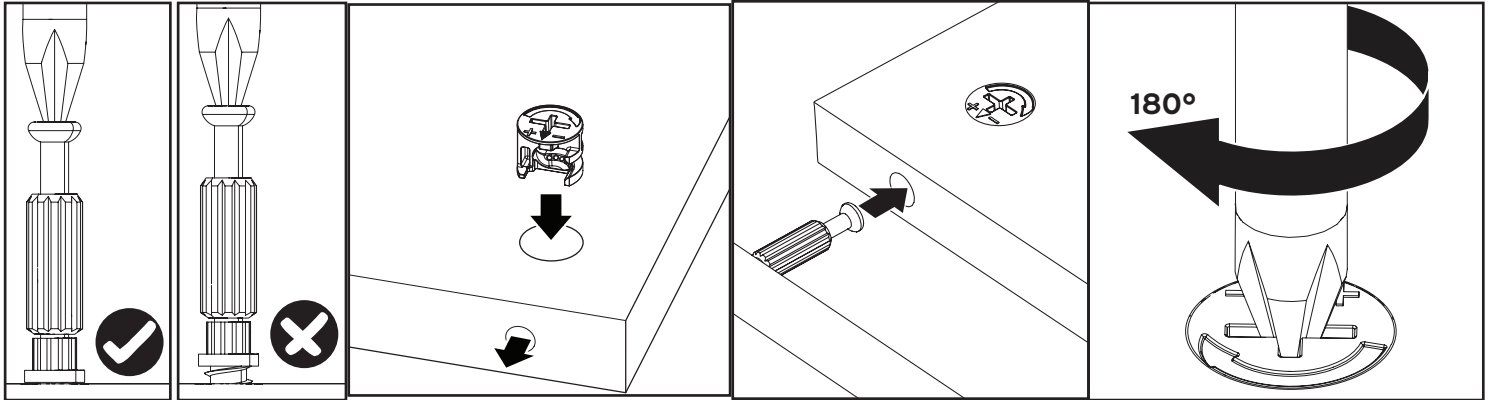


Hammer



Electric Screwdriver +
Torque set to 3-5

3. Understanding How the Cam Fastener Works



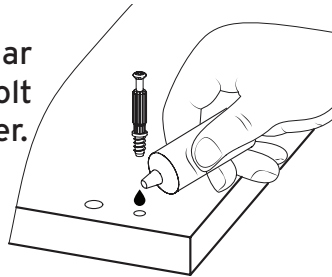
Screw cam bolts flush as illustrated.

Press cam into hole until flush with surface. The arrow direction must be in the direction of the hole.

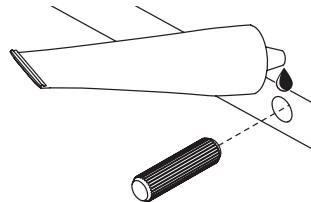
Insert bolt through pre-drilled hole in edge of panel.

Turn clockwise to lock cam with bolt.

Tip: place a small bit of WD-40 or similar lubricant into the pre-installed cam bolt holes to help the cam bolts screw in better.



4. **Glue** provided is to secure wood dowels in place and is optional. If glue is used during assembly, locate the appropriate hole for the dowel, place a small amount of glue in the hole and insert the dowel. Wipe away excess glue immediately. It is not necessary to glue the other end of the dowel when attaching to other parts.

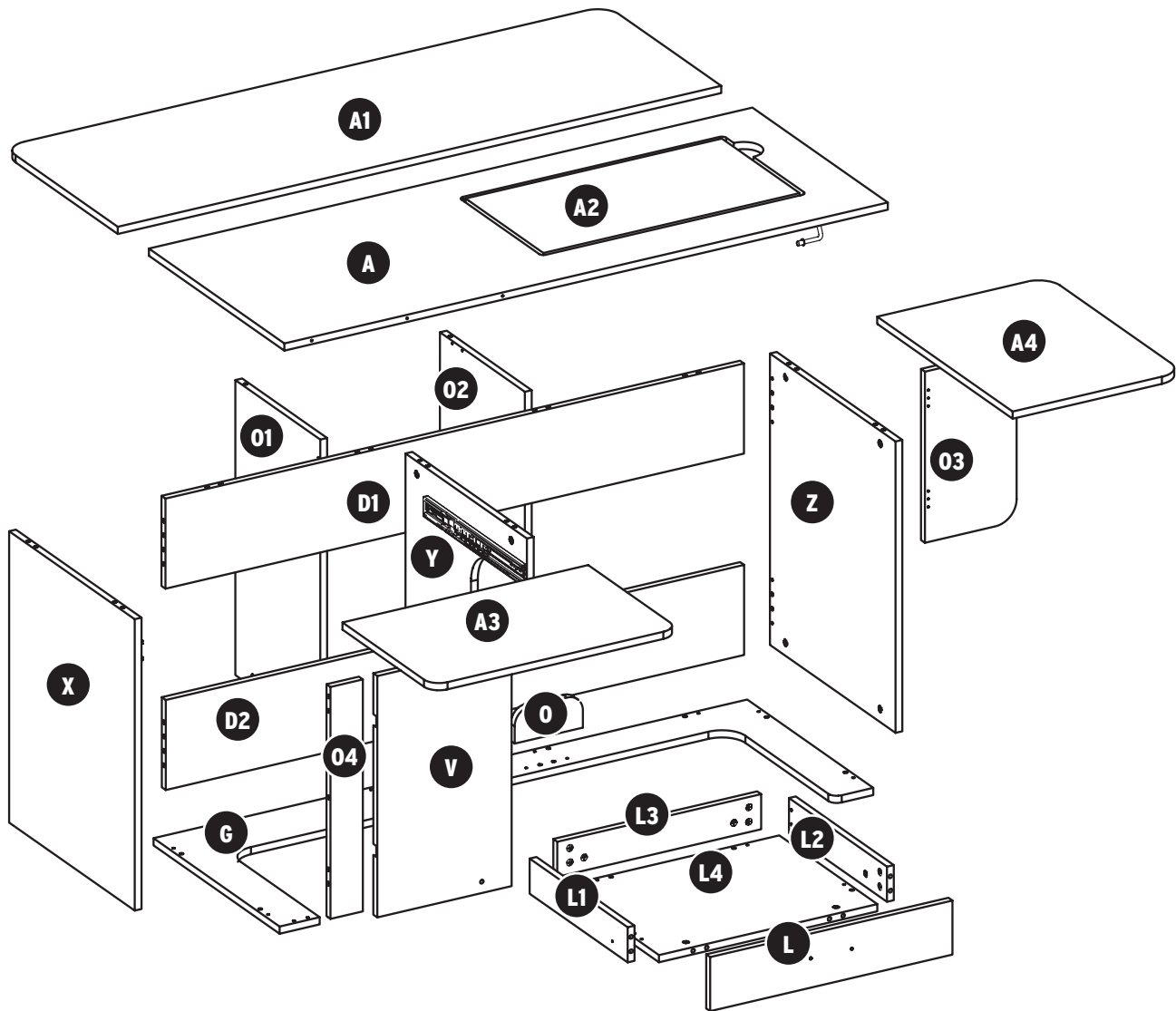


Use and Care

Your cabinet normally requires a minimum amount of maintenance; however, it is worth noting the following for regular cleaning:

To remove marks and enhance the surface, wipe with a gentle all-purpose cleanser. **DO NOT** use ammonia-based, harsh chemicals or abrasive cleaning agents. Wipe dry immediately.

Parts List: Panels



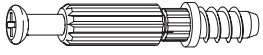
ITEM	DESCRIPTION	QTY.	PACK	ITEM	DESCRIPTION	QTY.	PACK.
A	Top Panel	1	1 of 3	Y	Center Panel	1	3 of 3
A1	Quilt Leaf Panel	1	2 of 3	Z	Right Side Panel	1	3 of 3
A3	In-Drawer Support Panel	1	3 of 3	V	Drawer Support Gate Leg	1	3 of 3
O1	Left Gate Leg	1	2 of 3	O	Insert Holder	1	3 of 3
O2	Right Gate Leg	1	2 of 3	A4	Side Leaf	1	3 of 3
A2	Lift Panel (pre-installed)	1	2 of 3	O3	Side Gate Leg	1	3 of 3
G	Bottom Panel	1	2 of 3	L	Drawer Front	1	2 of 3
D1	Top Back Panel	1	2 of 3	L1	Drawer Left Side Panel	1	3 of 3
D2	Bottom Back Panel	1	2 of 3	L2	Drawer Right Side Panel	1	3 of 3
X	Left Side Panel	1	3 of 3	L3	Drawer Back Panel	1	3 of 3
O4	Drawer Gateleg Support Panel	1	3 of 3	L4	Drawer Bottom Panel	1	3 of 3

Hardware Box

1 1 of 3

Parts List: Hardware

TIP: Keep all the parts in their individually labeled bags. This will make finding parts easier as you assemble your cabinet.



c1 6x35 Cam Bolt **x51**



d1 8x30 Dowel Pin **x40**



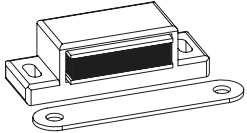
s1 3.5x14 Screw **x108**



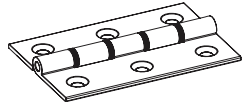
s2 3x14 Screw **x8**



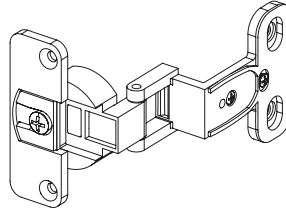
c2 5/8" Cam Cover **x51**



m Magnet **x4**



h2 Butt Hinge **x12**



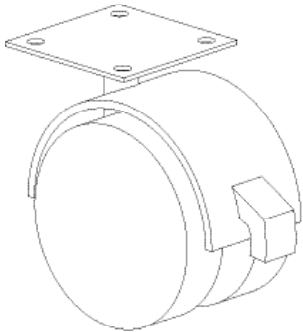
g1 Hinge Body **x2**



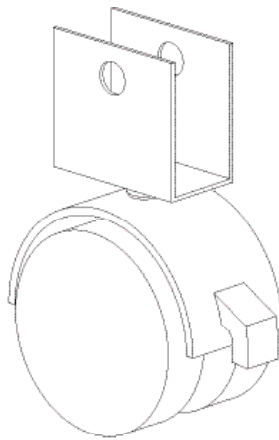
s4 Alignment Pin **x4**



b2 4x20 Fix Bolt **x2**



t1 Plate Caster **x5**



t2 Caster **x3**



h Handle **x1**



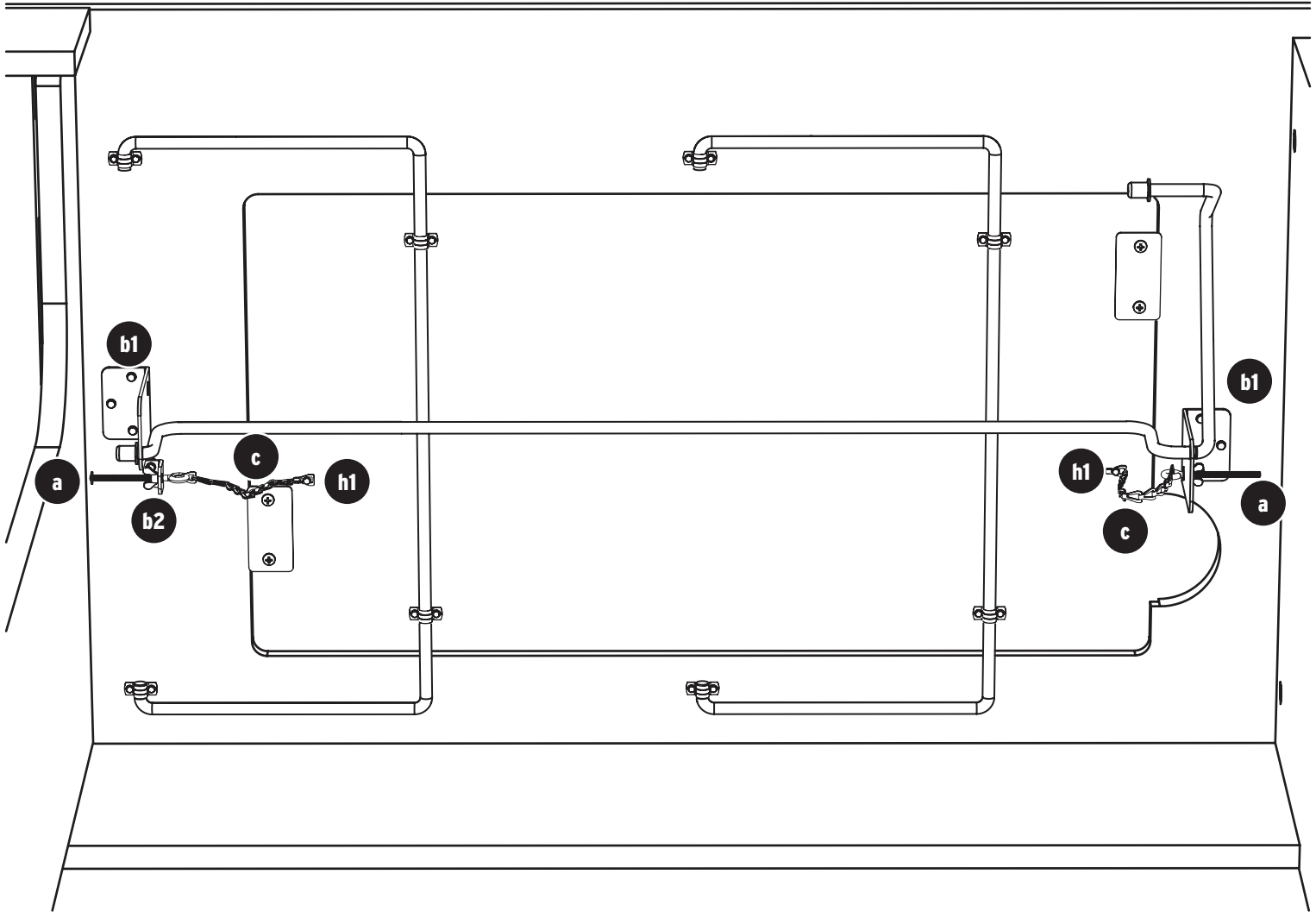
p Threaded Dowel Pin **x3**



b 6x25 Bolt and Nut **x3**

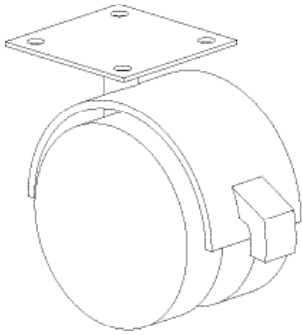
Manual Lift Parts

NOTE: No Assembly Required



PART	DESCRIPTION	QTY.
a	Bolt and Wing Nut	2
b1	Large Bracket	2
b2	Small Bracket	1
c	Chain	2
h1	Hexagonal Bolt	2

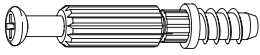
Step 1: Cabinet Shell



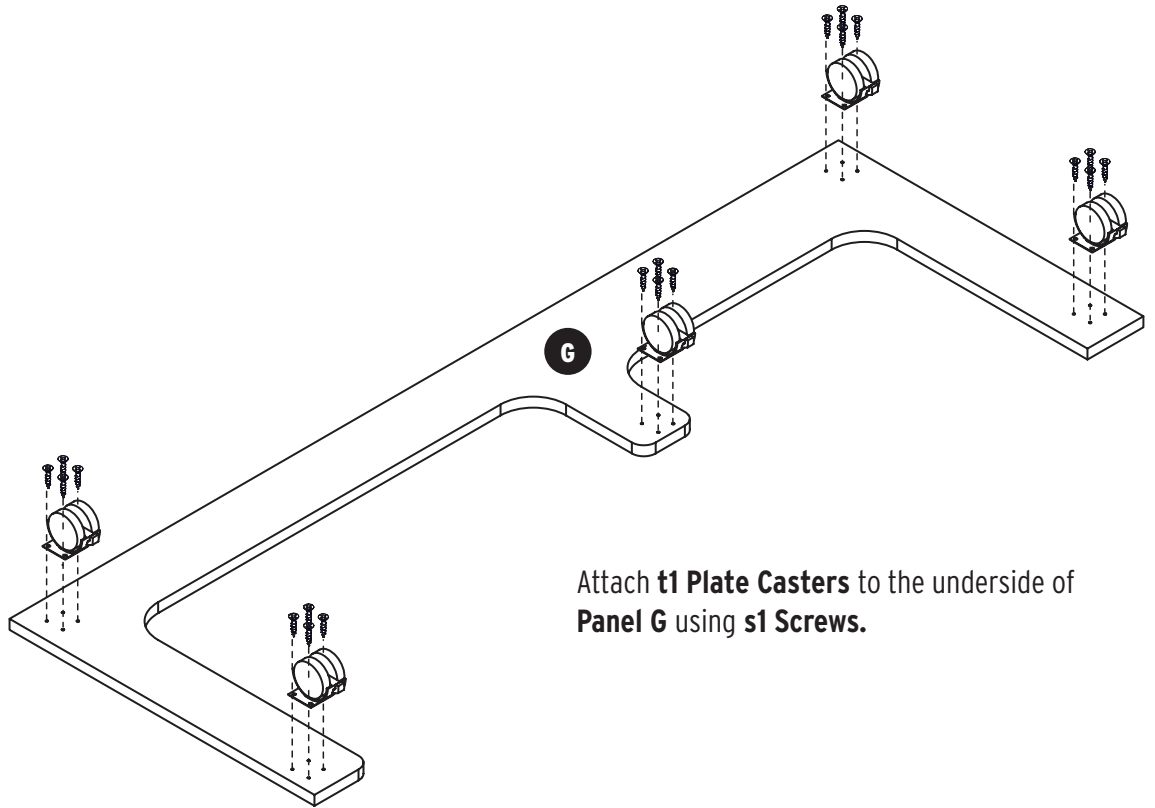
t1 Plate Caster **x5**



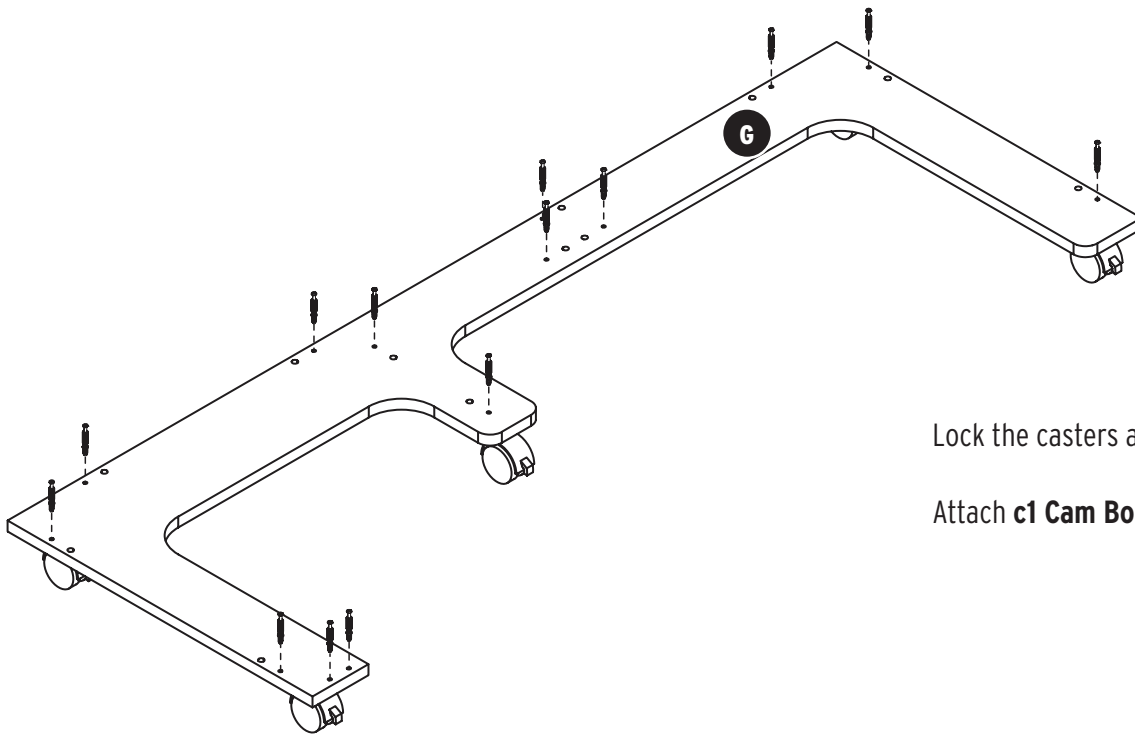
s1 3.5x14 Screw **x20**



c1 6x35 Cam Bolt **x14**



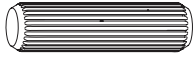
Attach **t1 Plate Casters** to the underside of **Panel G** using **s1 Screws**.



Lock the casters and flip **Panel G** over.

Attach **c1 Cam Bolts** to **Panel G** as shown.

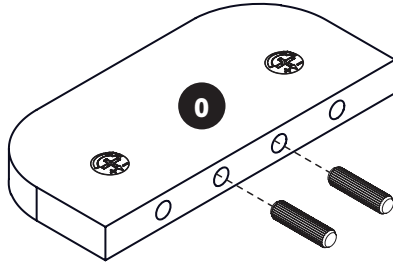
Step 1: Cabinet Shell



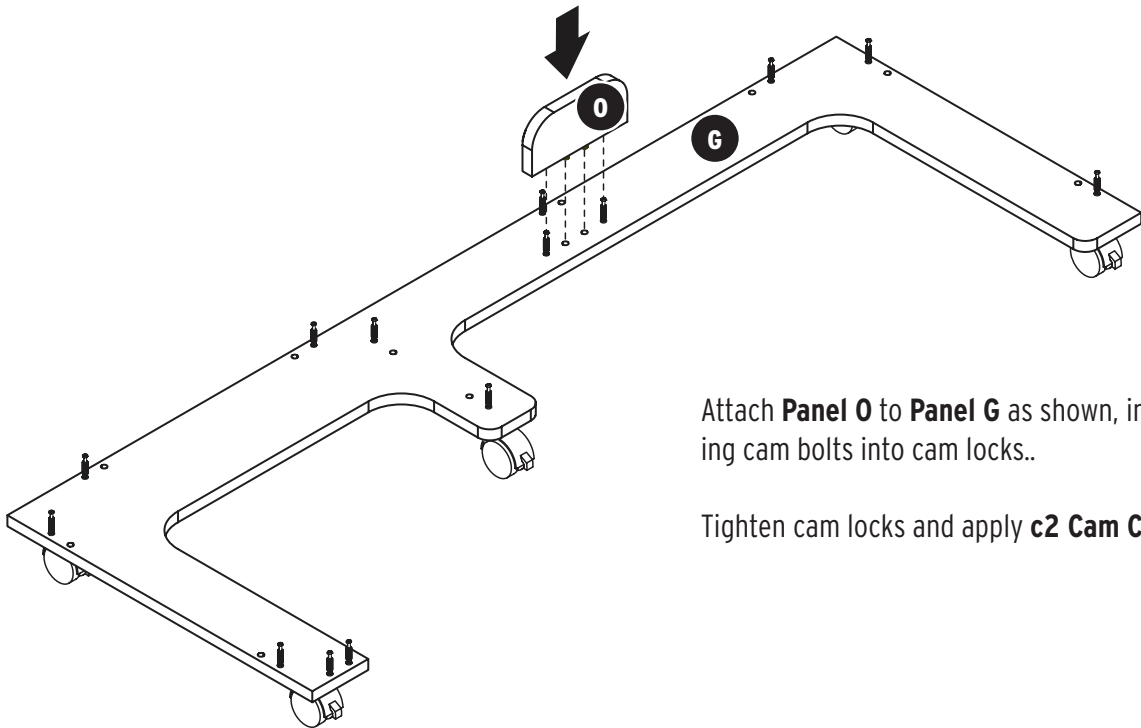
d1 8x30 Dowel Pin **x2**



c2 $\frac{5}{8}$ " Cam Cover **x2**



Insert **d1 Dowel Pins** into the bottom edge of **Panel O**.



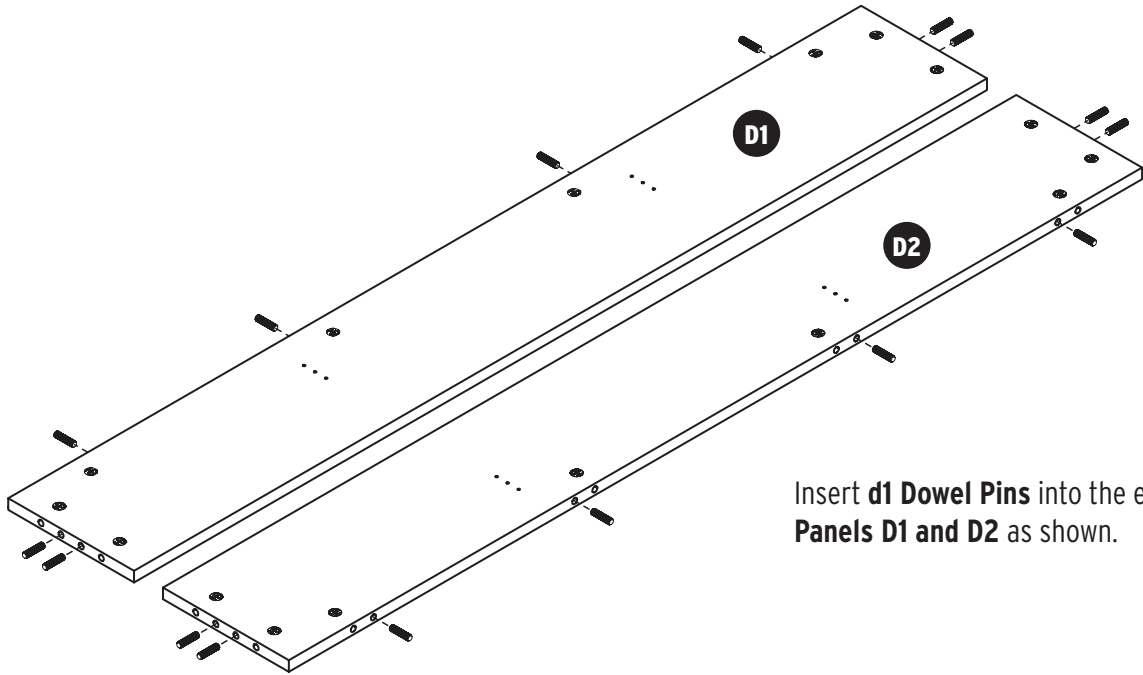
Attach **Panel O** to **Panel G** as shown, inserting cam bolts into cam locks..

Tighten cam locks and apply **c2 Cam Covers**.

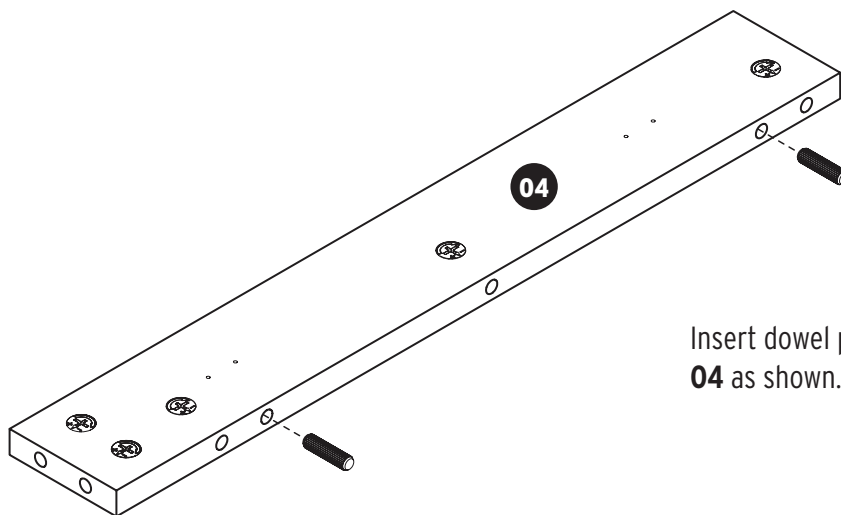
Step 1: Cabinet Shell



d1 8x30 Dowel Pin **x18**

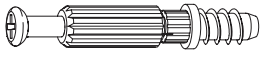


Insert **d1 Dowel Pins** into the edges of **Panels D1 and D2** as shown.

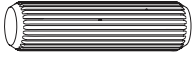


Insert dowel pins into the edge of **Panel 04** as shown.

Step 1: Cabinet Shell



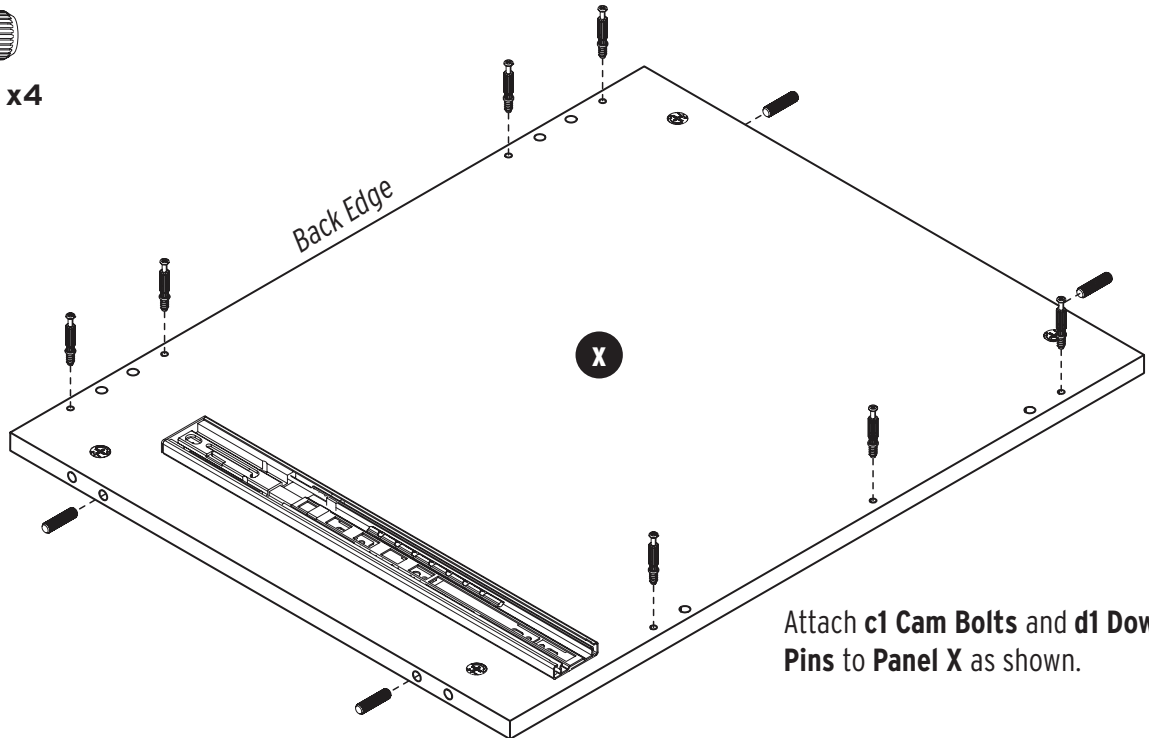
c1 6x35 Cam Bolt **x7**



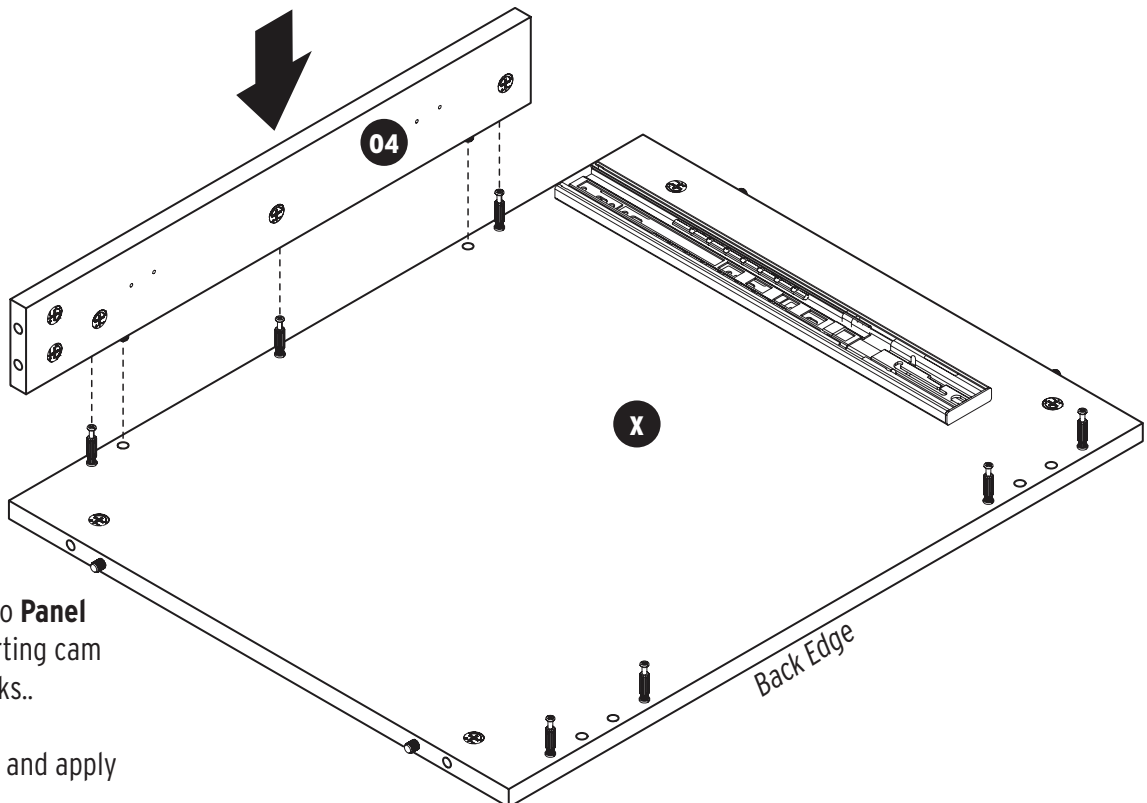
d1 8x30 Dowel Pin **x4**



c2
 $\frac{5}{8}$ " Cam Cover **x3**



Attach **c1 Cam Bolts** and **d1 Dowel Pins** to **Panel X** as shown.



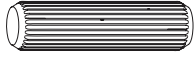
Attach **Panel 04** to **Panel X** as shown, inserting cam bolts into cam locks..

Tighten cam locks and apply **c2 Cam Covers**.

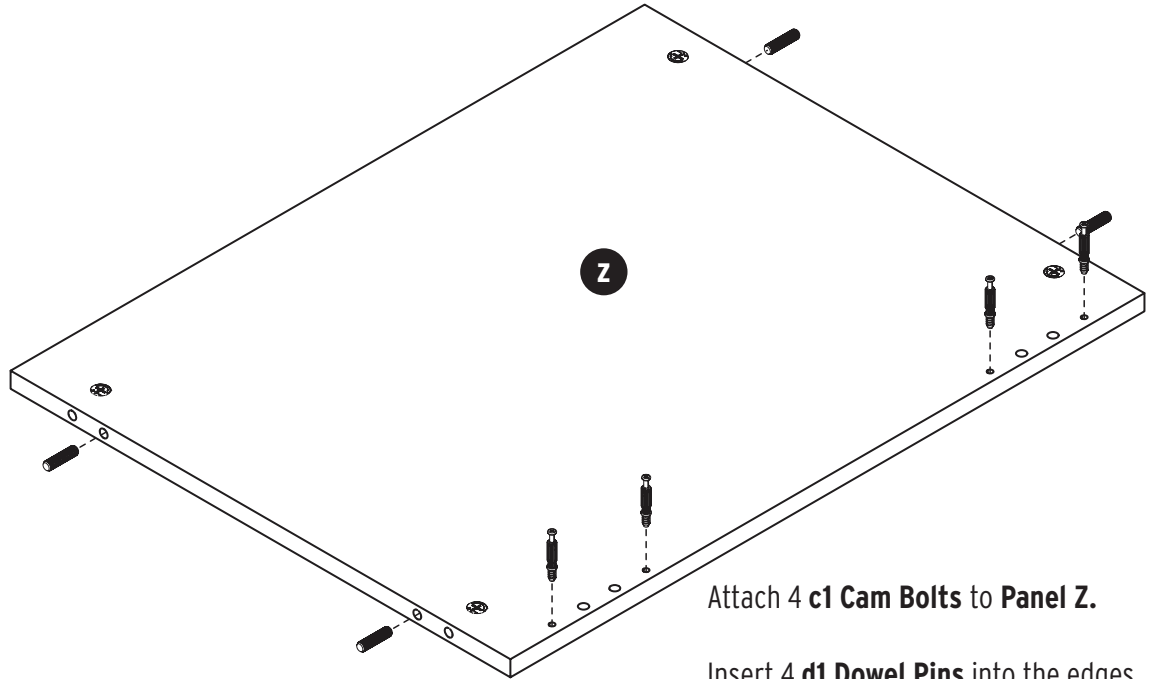
Step 1: Cabinet Shell



c1 6x35 Cam Bolt **x4**

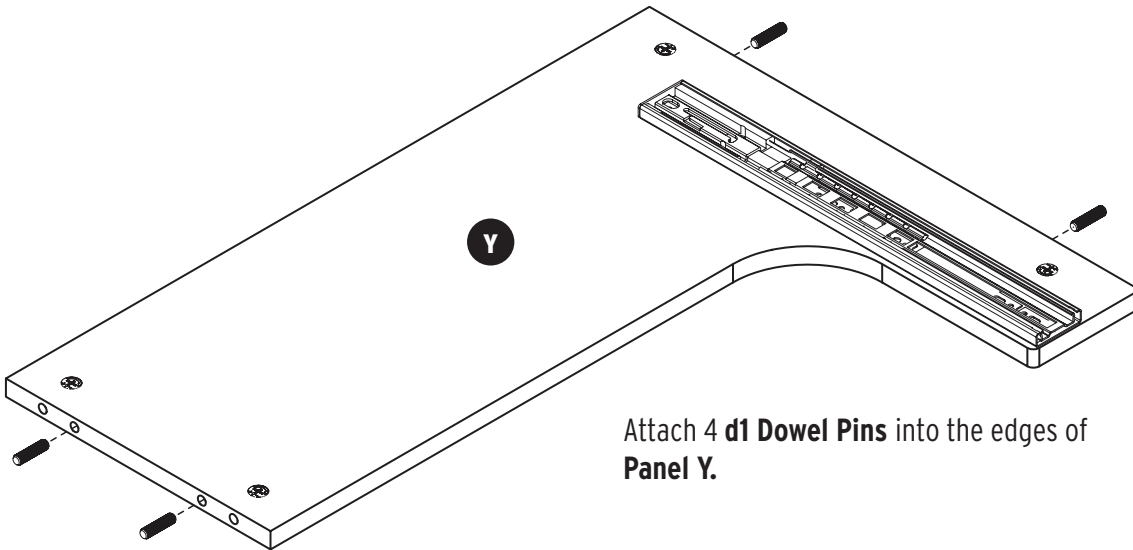


d1 8x30 Dowel Pin **x8**



Attach 4 **c1 Cam Bolts** to **Panel Z**.

Insert 4 **d1 Dowel Pins** into the edges of **Panel Z**.



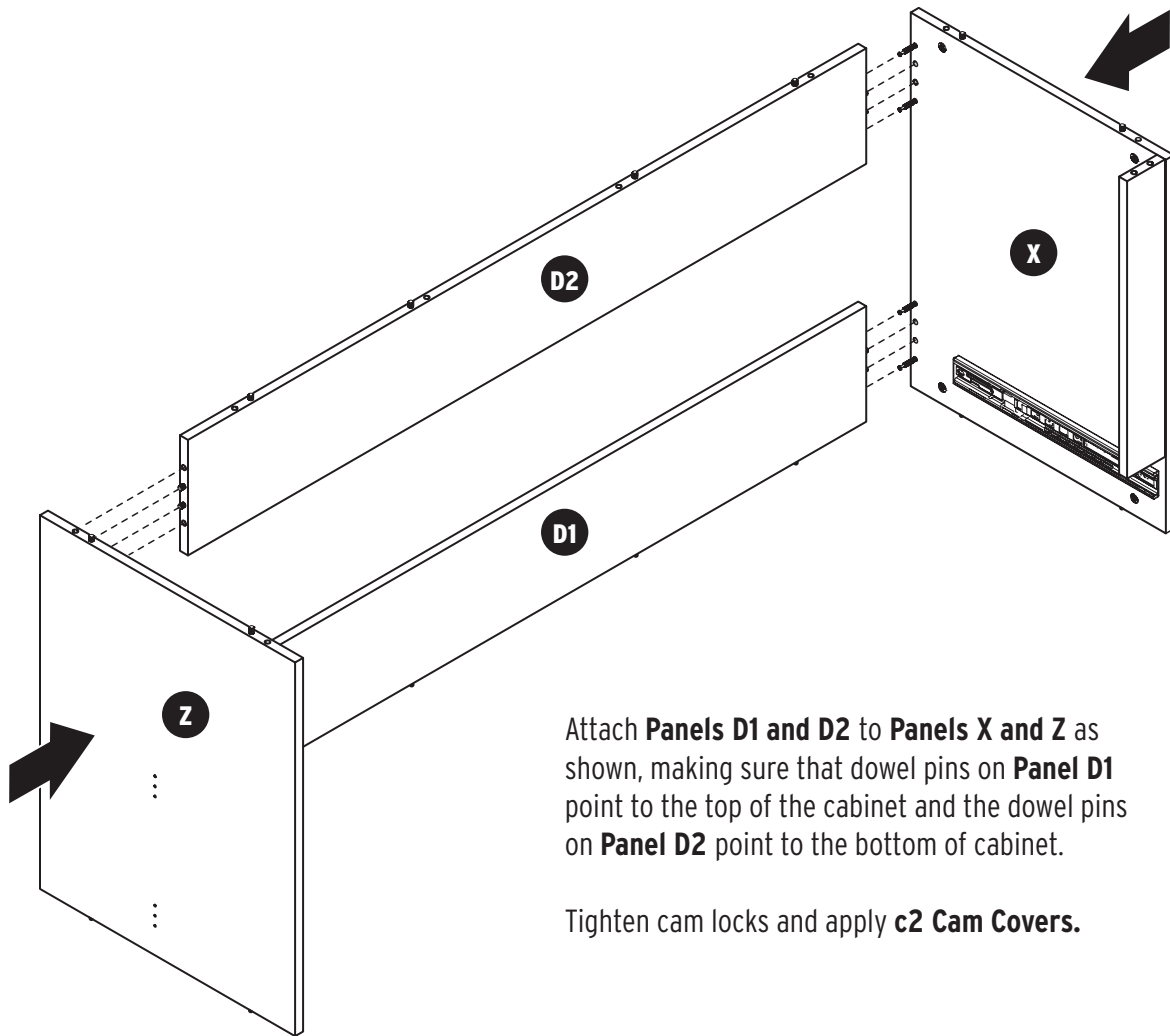
Attach 4 **d1 Dowel Pins** into the edges of **Panel Y**.

Step 1: Cabinet Shell



$\frac{5}{8}$ " Cam Cover **x8**

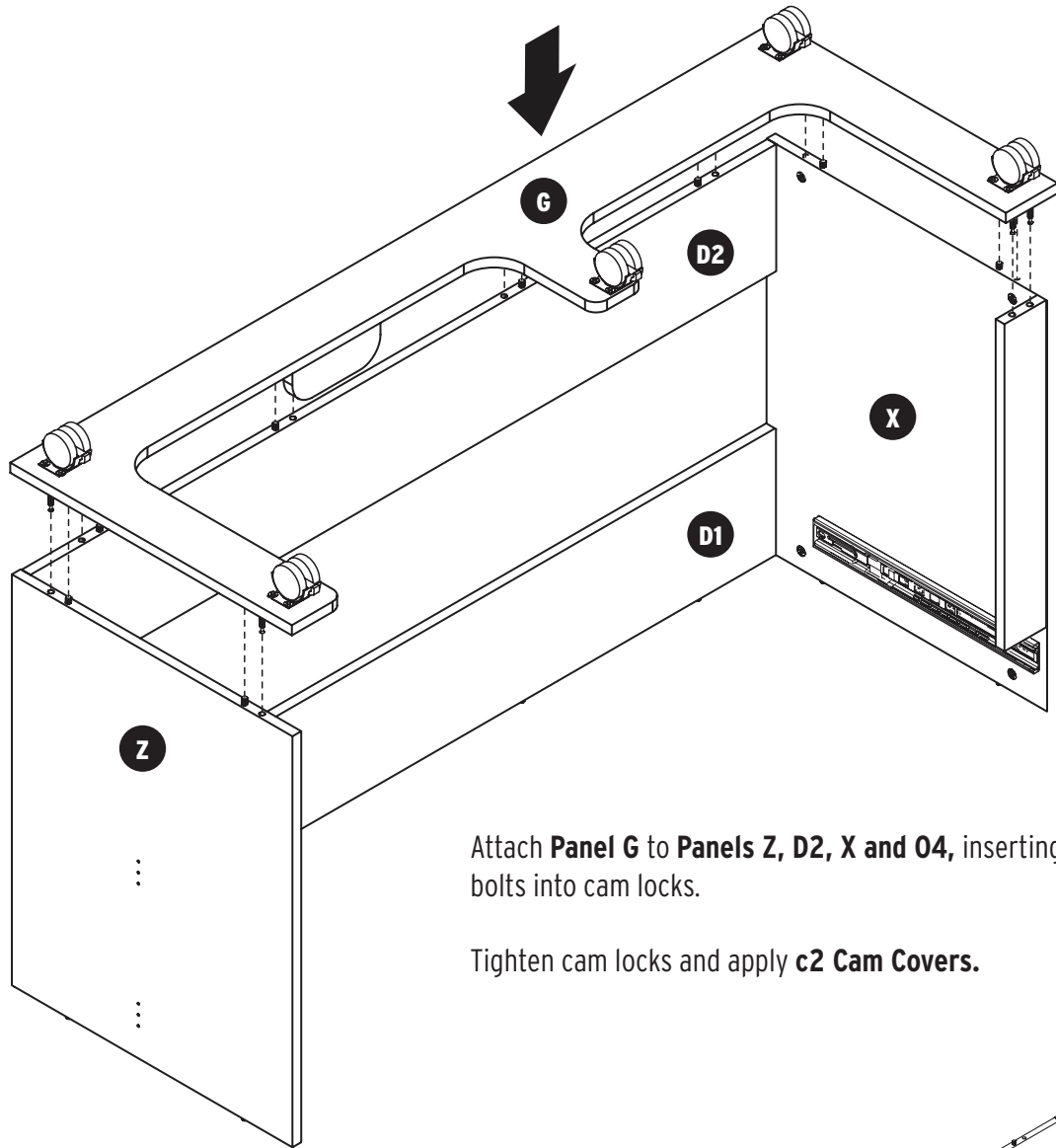
NOTE: The image below shows upside down construction of **Panels X, D1/D2 and Z**. This will make attaching the bottom of the cabinet easier in the next step.



Attach **Panels D1 and D2** to **Panels X and Z** as shown, making sure that dowel pins on **Panel D1** point to the top of the cabinet and the dowel pins on **Panel D2** point to the bottom of cabinet.

Tighten cam locks and apply **c2 Cam Covers**.

Step 1: Cabinet Shell

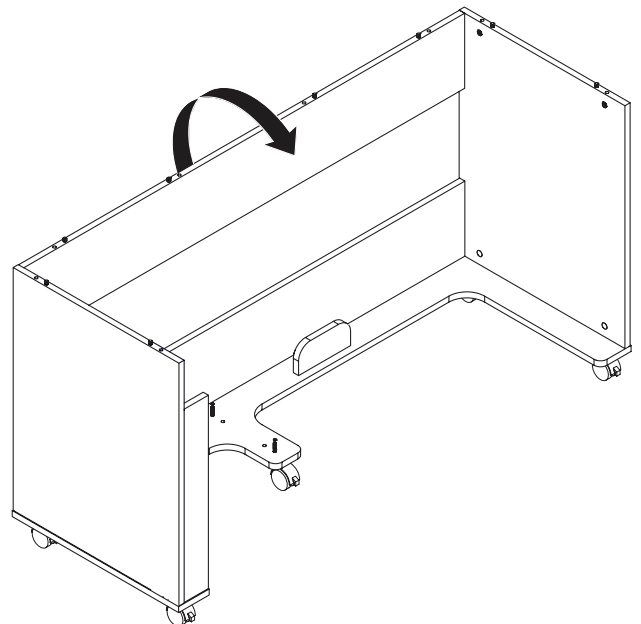


Attach **Panel G** to **Panels Z, D2, X and O4**, inserting cam bolts into cam locks.

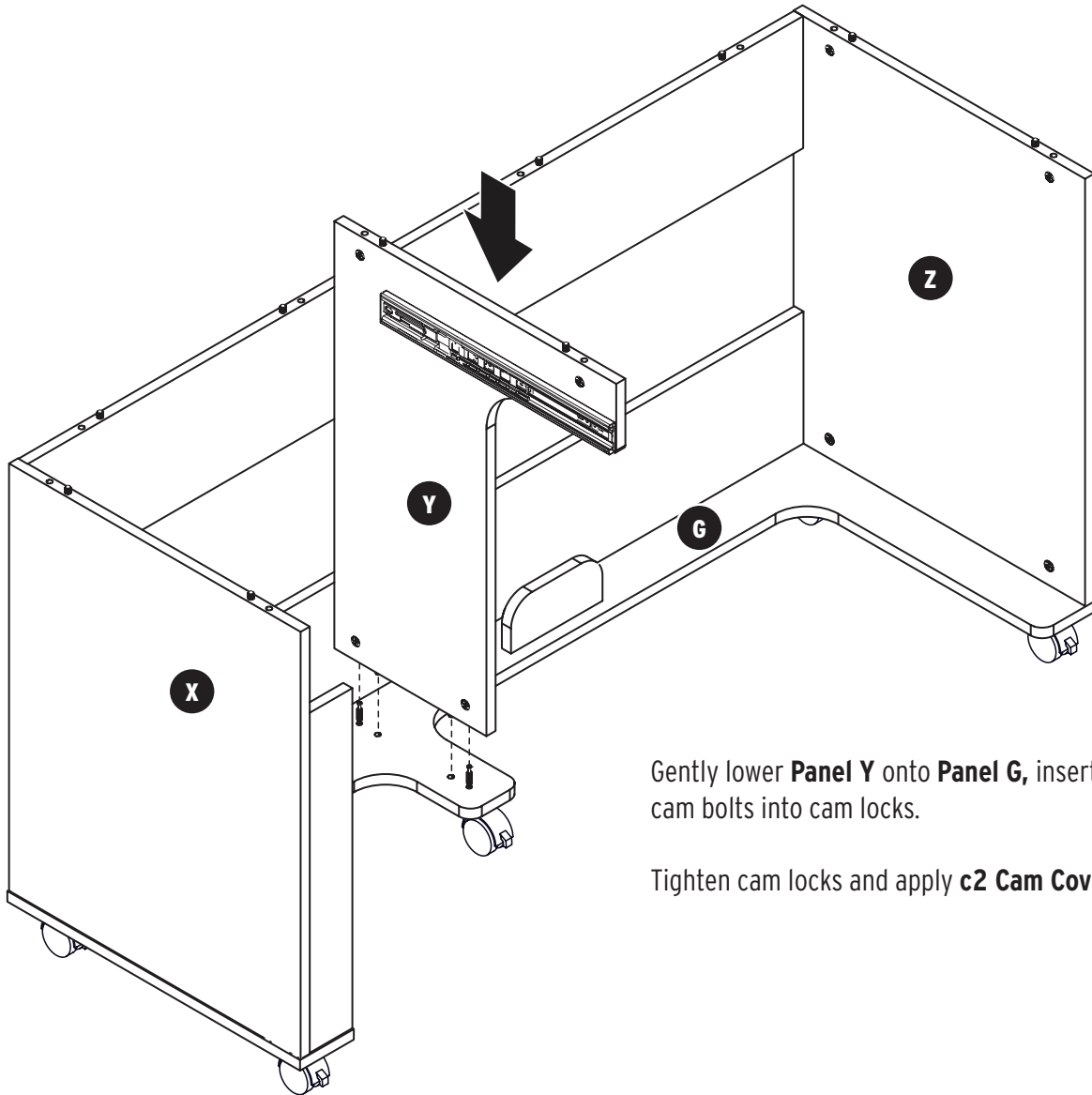
Tighten cam locks and apply **c2 Cam Covers**.

Make sure the casters are locked and flip the cabinet up onto its wheels.

You may need a friend to help you with this step, but it is not required.



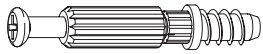
Step 1: Cabinet Shell



Gently lower **Panel Y** onto **Panel G**, inserting cam bolts into cam locks.

Tighten cam locks and apply **c2 Cam Covers**.

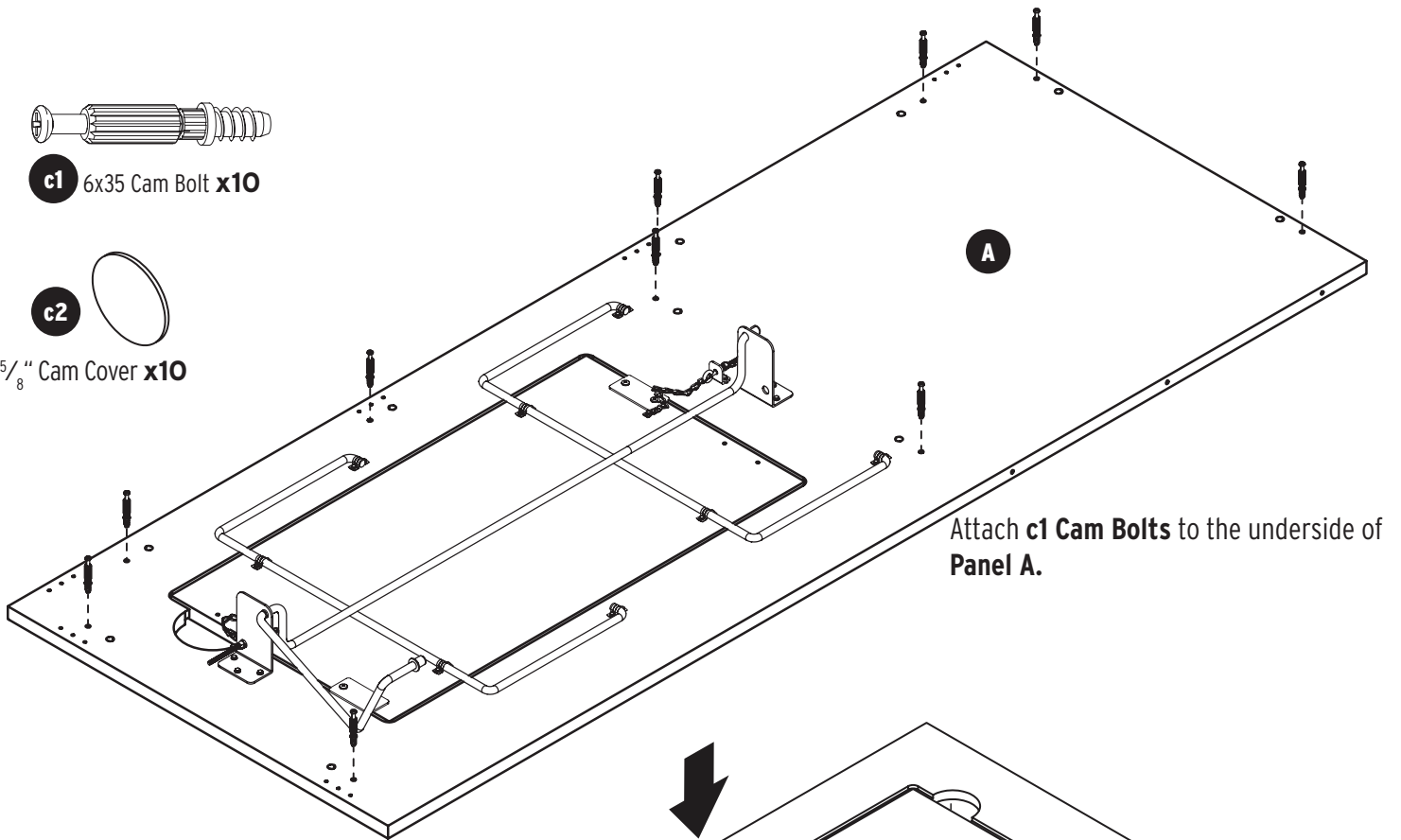
Step 1: Cabinet Shell



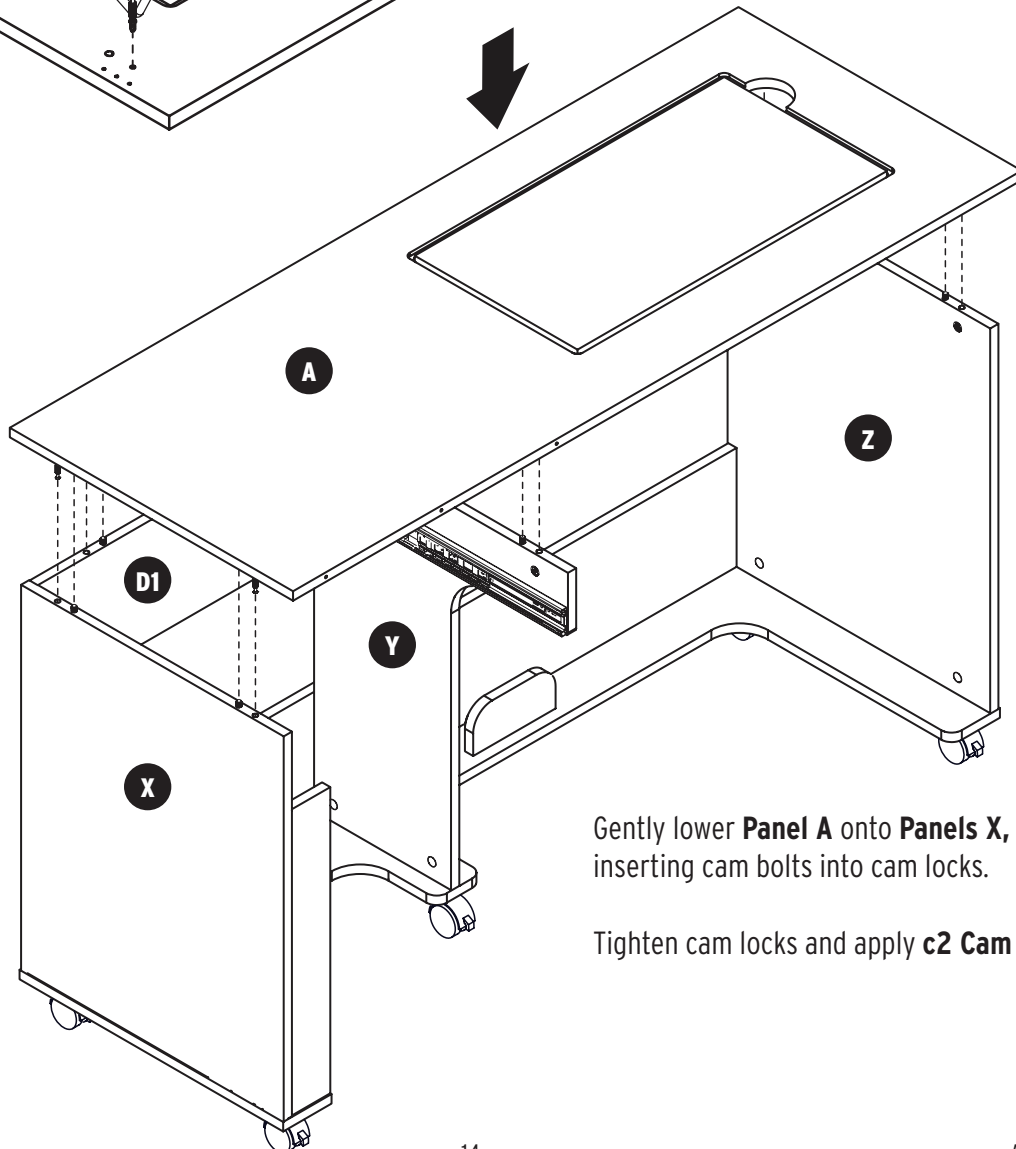
c1 6x35 Cam Bolt **x10**



c2
5/8" Cam Cover **x10**



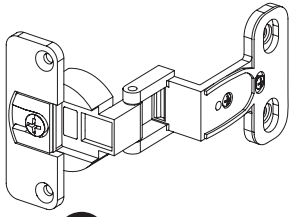
Attach **c1** Cam Bolts to the underside of **Panel A**.



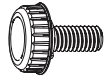
Gently lower **Panel A** onto **Panels X, D1, Y and Z**, inserting cam bolts into cam locks.

Tighten cam locks and apply **c2** Cam Covers.

Step 2: Gate Legs and Support Panels



g1 Hinge Body **x2**

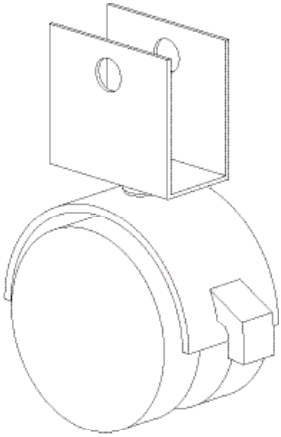


s4 Alignment Pin **x1**

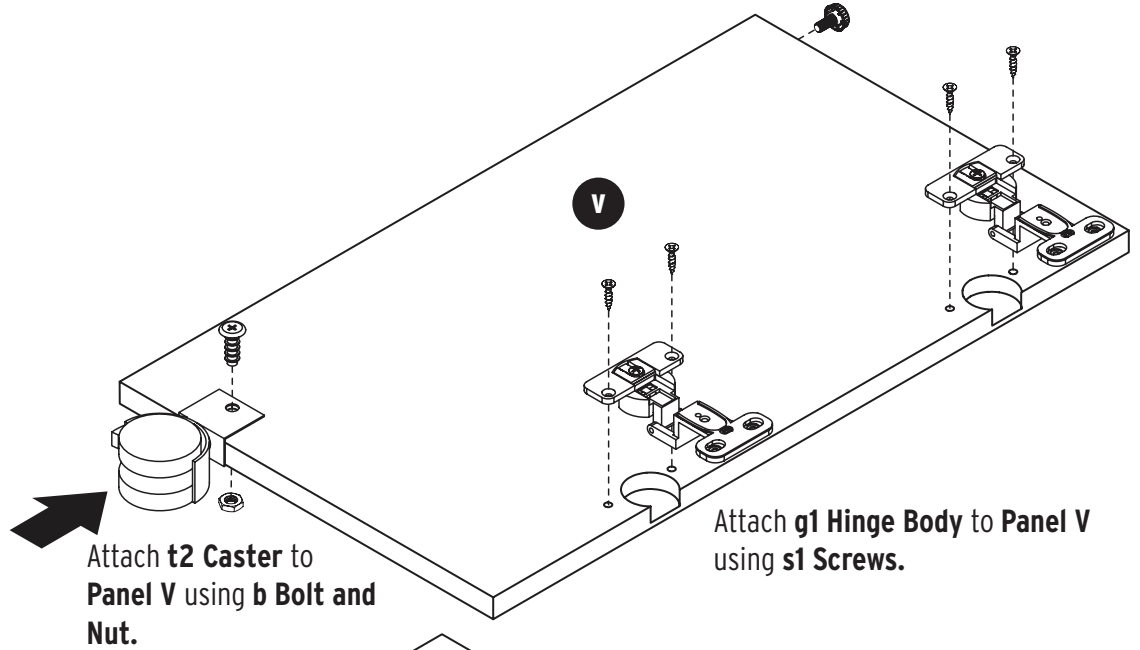


s1 3.5x14 Screw **x8**

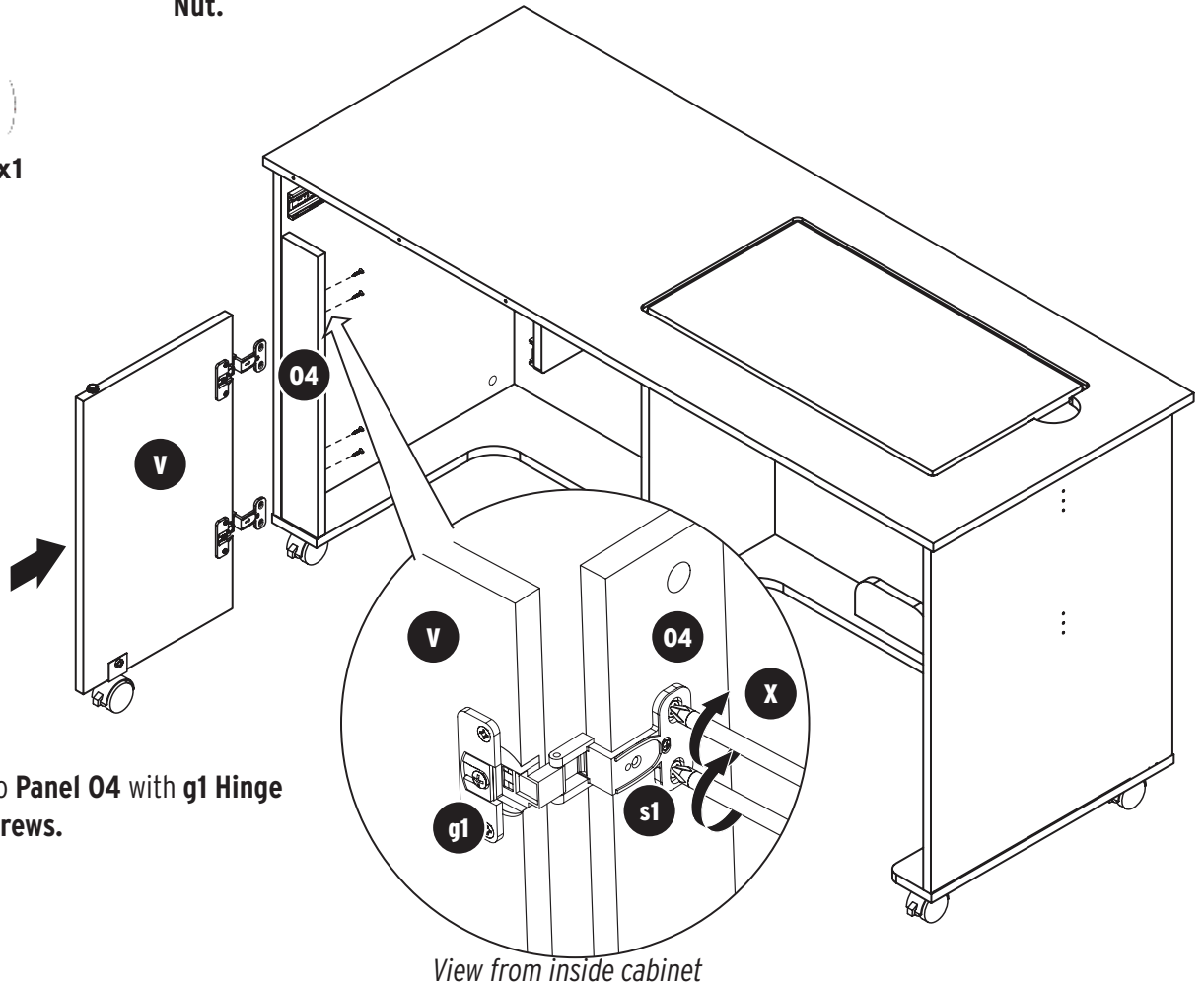
Screw **s4** Alignment Pin into the top edge of **Panel V**.



t2 Caster **x1**

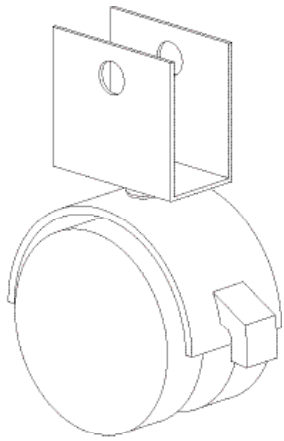


b 6x25 Bolt and Nut **x1**

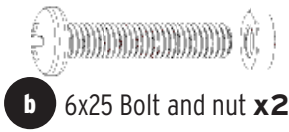


View from inside cabinet

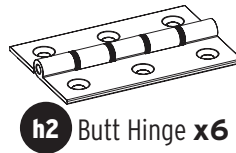
Step 2: Gate Legs and Support Panels



t2 Caster **x2**



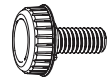
b 6x25 Bolt and nut **x2**



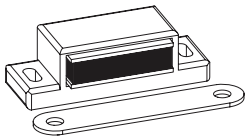
h2 Butt Hinge **x6**



s1 3.5x14 Screw **x24**



s4 Alignment Pin **x3**



m Magnet Plate **x3**

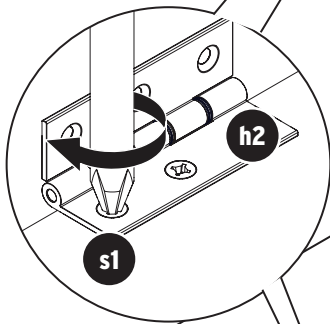
Screw **s4** alignment pins into top edges of **Panels 01** and **02**.

Attach **h2** Butt Hinges to **Panels 01** and **02** as shown, using **s1** Screws.

Attach **t2** Casters to the bottom edges of **Panels 01** and **02**.

Attach **m** Magnet Plates to the underside of **Panels 01** and **02** as shown, using **s1** Screws.

Set aside magnet for later use.



Screw **s4** alignment pin into top edge of **Panel 03**.

Attach **h2** Butt Hinges to **Panel 03** as shown, using **s1** Screws.

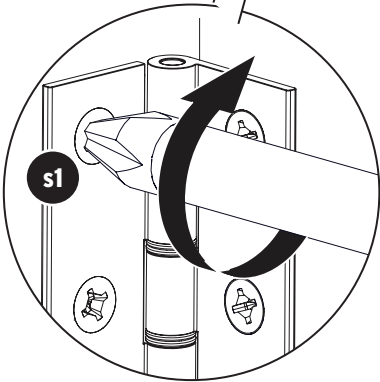
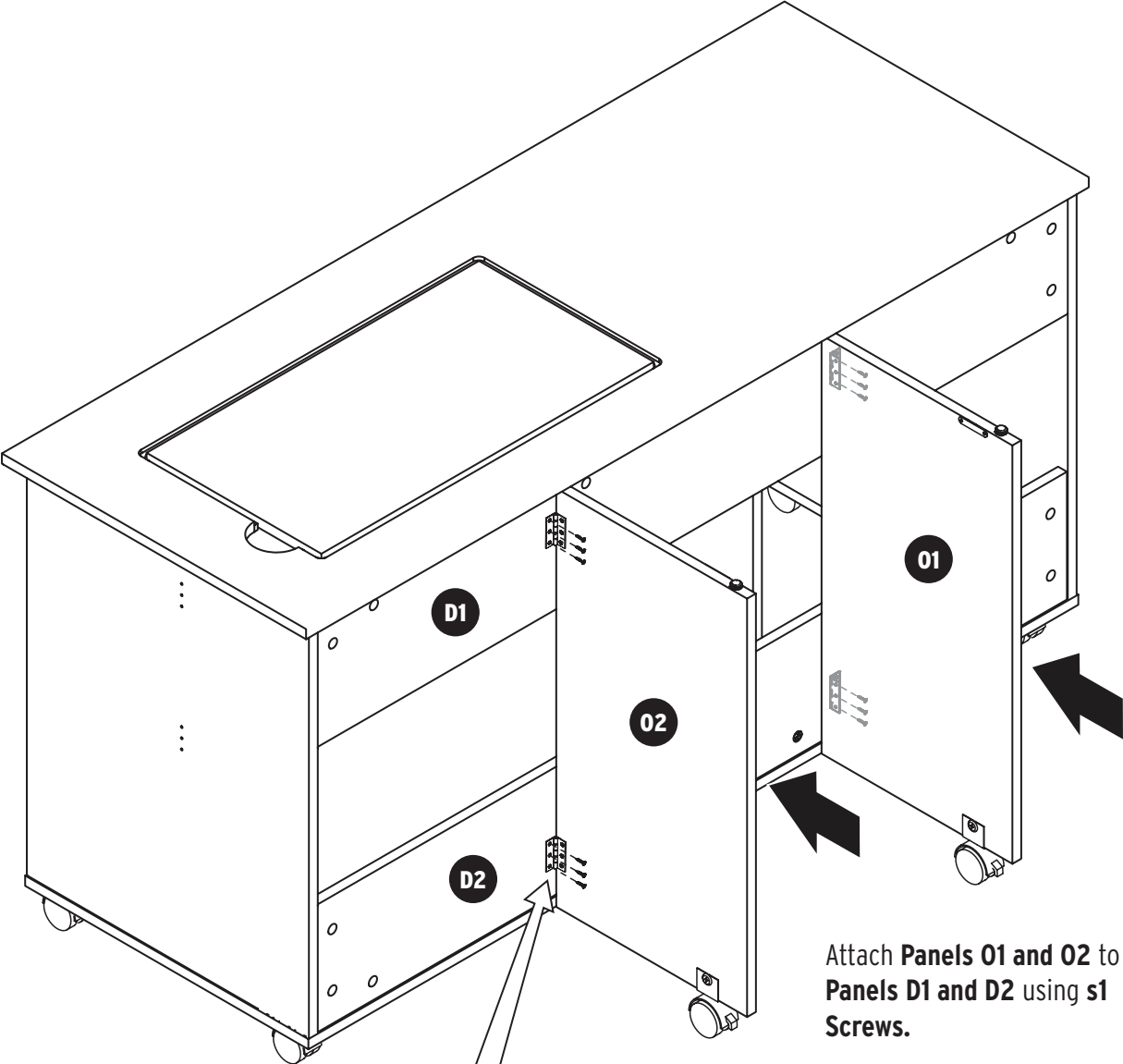
Attach **m** Magnet Plate to the underside of **Panel 03** as shown, using **s1** Screws.

Set aside magnet for later use.

Step 2: Gate Legs and Support Panels



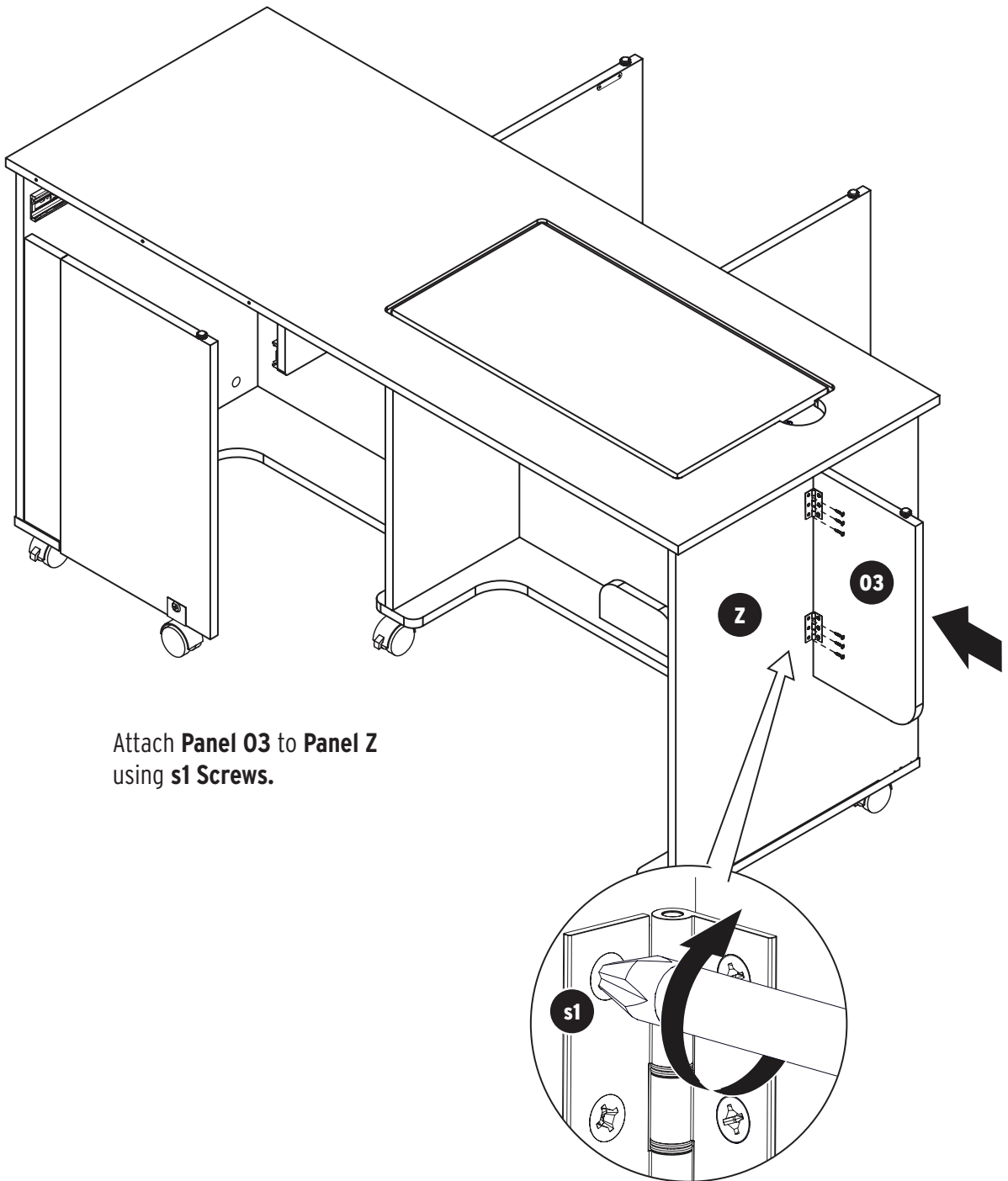
s1 3.5x14 Screw **x12**



Step 2: Gate Legs and Support Panels

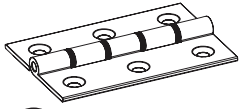


s1 3.5x14 Screw **x6**



Attach **Panel 03** to **Panel Z**
using **s1** Screws.

Step 3: Quilt Panels



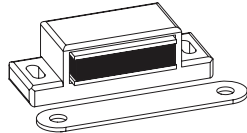
h2 Butt Hinge **x6**



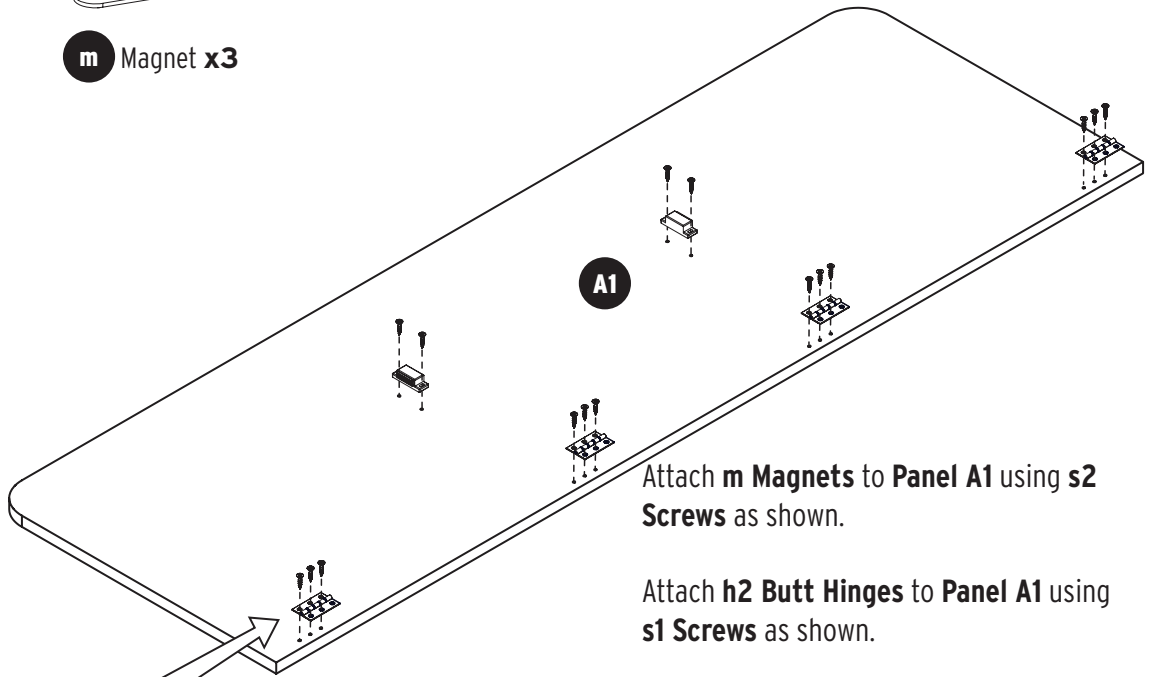
s1 3.5x14 Screw **x18**



s2 3x14 Screw **x6**

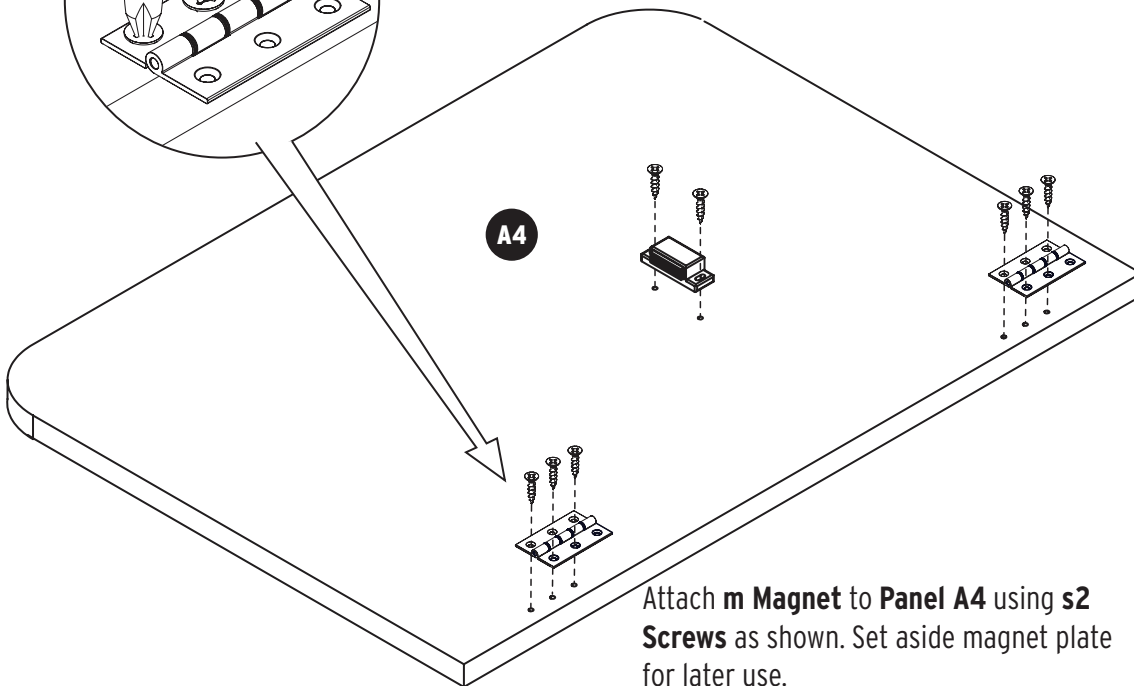
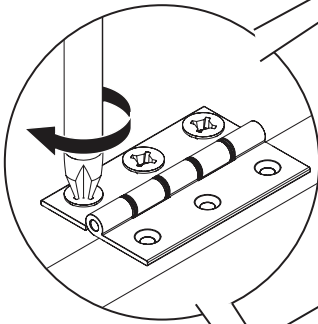


m Magnet **x3**



Attach **m** Magnets to **Panel A1** using **s2** Screws as shown.

Attach **h2** Butt Hinges to **Panel A1** using **s1** Screws as shown.



Attach **m** Magnet to **Panel A4** using **s2** Screws as shown. Set aside magnet plate for later use.

Attach **h2** Butt Hinges to **Panel A4** using **s1** Screws as shown.

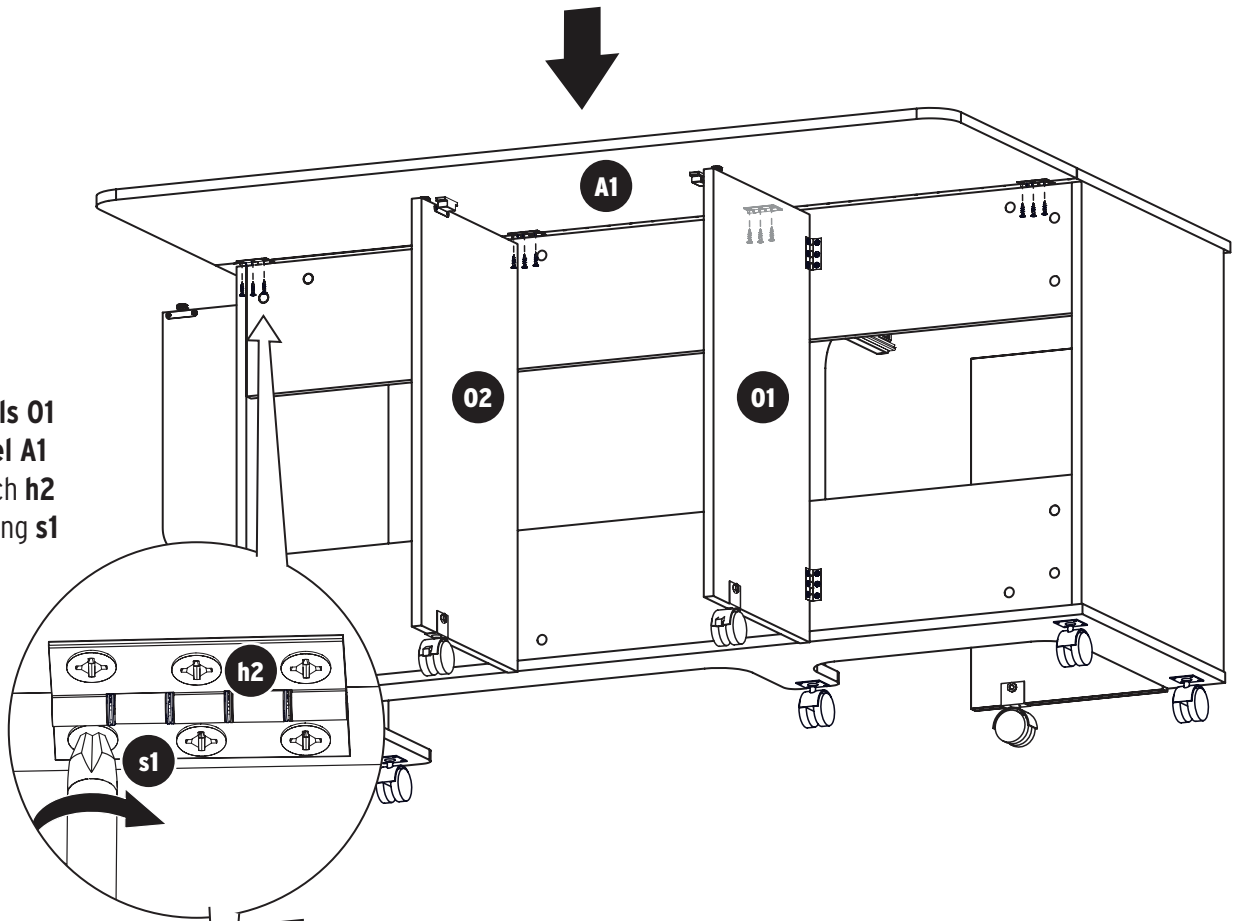
Step 3: Quilt Panels



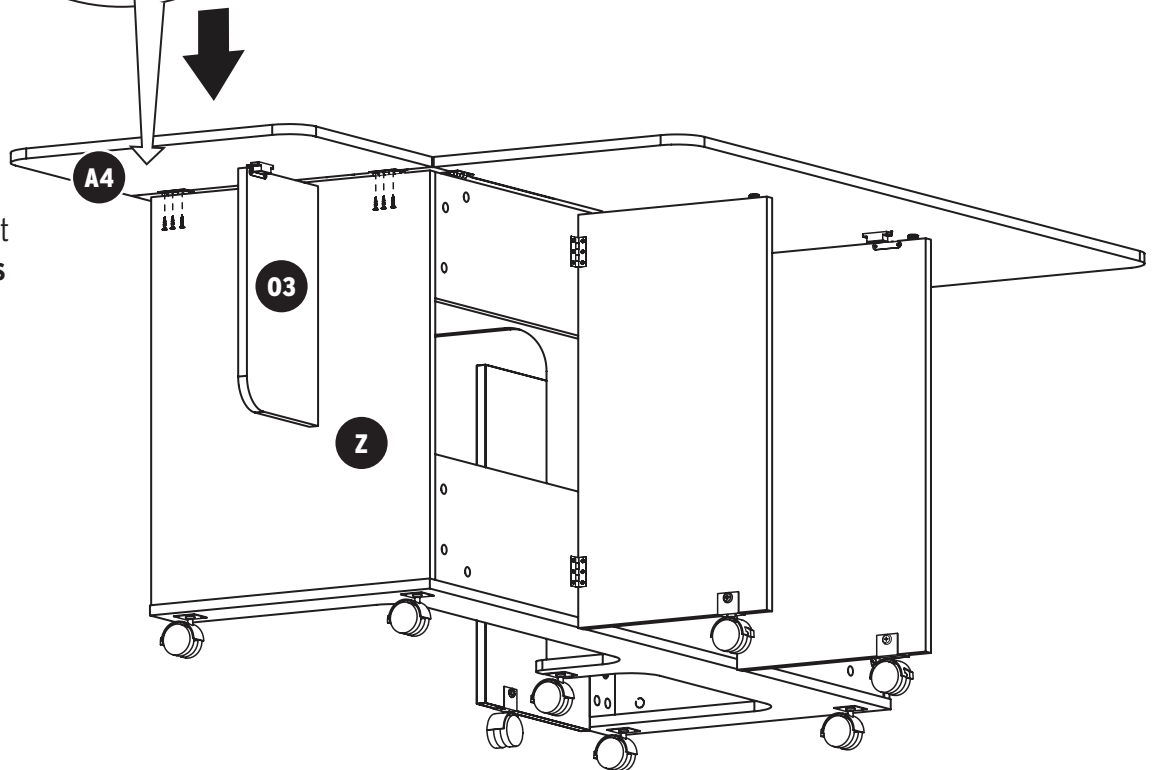
s1 3.5x14 Screw **x18**

NOTE: The illustrations below show the cabinet from behind and underneath to better show hinge attachment placement.

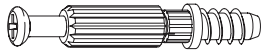
Extend Gate Leg **Panel 01** and **02**. Balance **Panel A1** on gate legs and attach **h2** Hinges to **Panel D** using **s1** Screws.



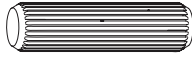
Extend Support **Panel 03**. Balance **Panel A4** on support panels and attach **h2** Hinges to **Panel Z** using **s1** Screws.



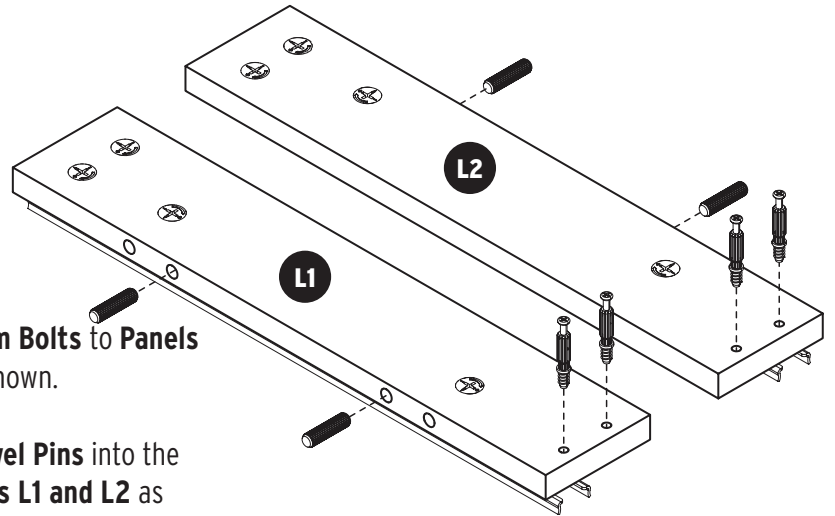
Step 4: Drawer



c1 6x35 Cam Bolt **x10**

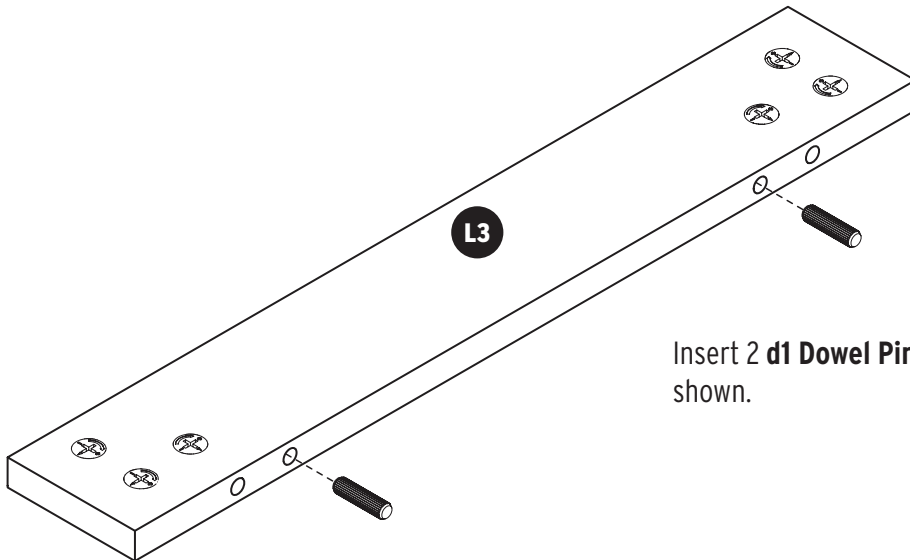


d1 8x30 Dowel Pin **x8**

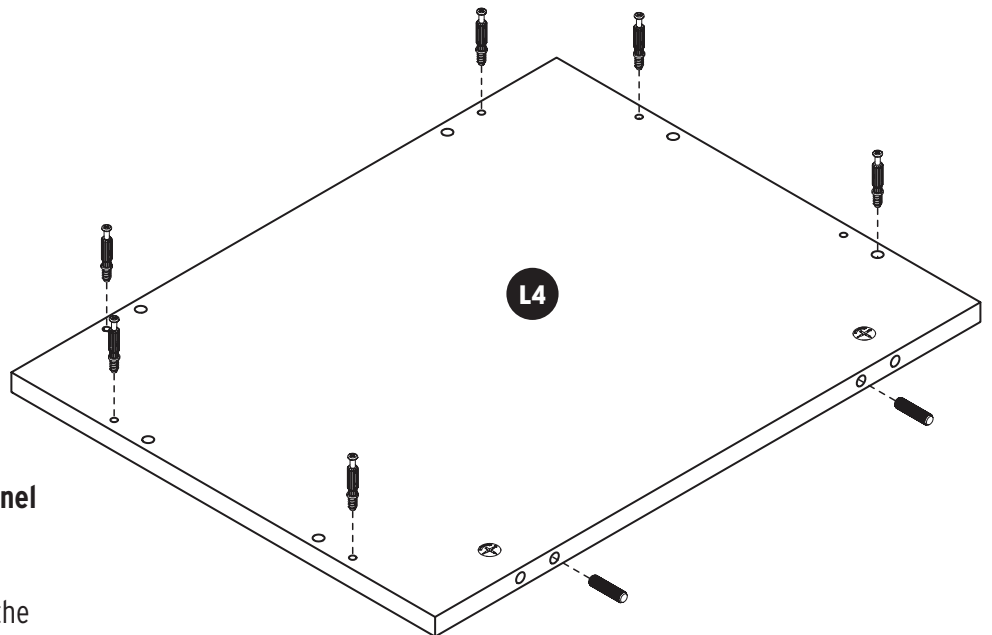


Attach 4 **c1** Cam Bolts to **Panels L1 and L2** as shown.

Insert 4 **d1** Dowel Pins into the edges of **Panels L1 and L2** as



Insert 2 **d1** Dowel Pins into the edge of **Panel L3** as shown.

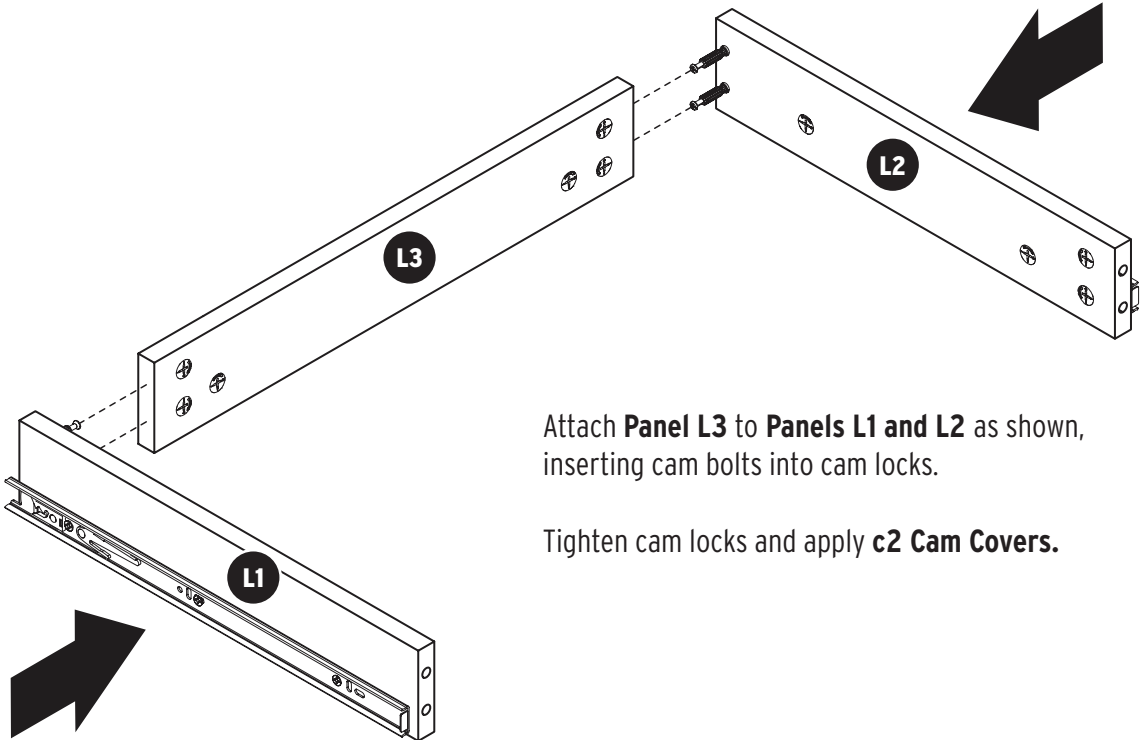


Attach 6 **c1** Cam Bolts to **Panel L4** as shown.

Insert 2 **d1** Dowel Pins into the edges of **Panel L4** as shown.

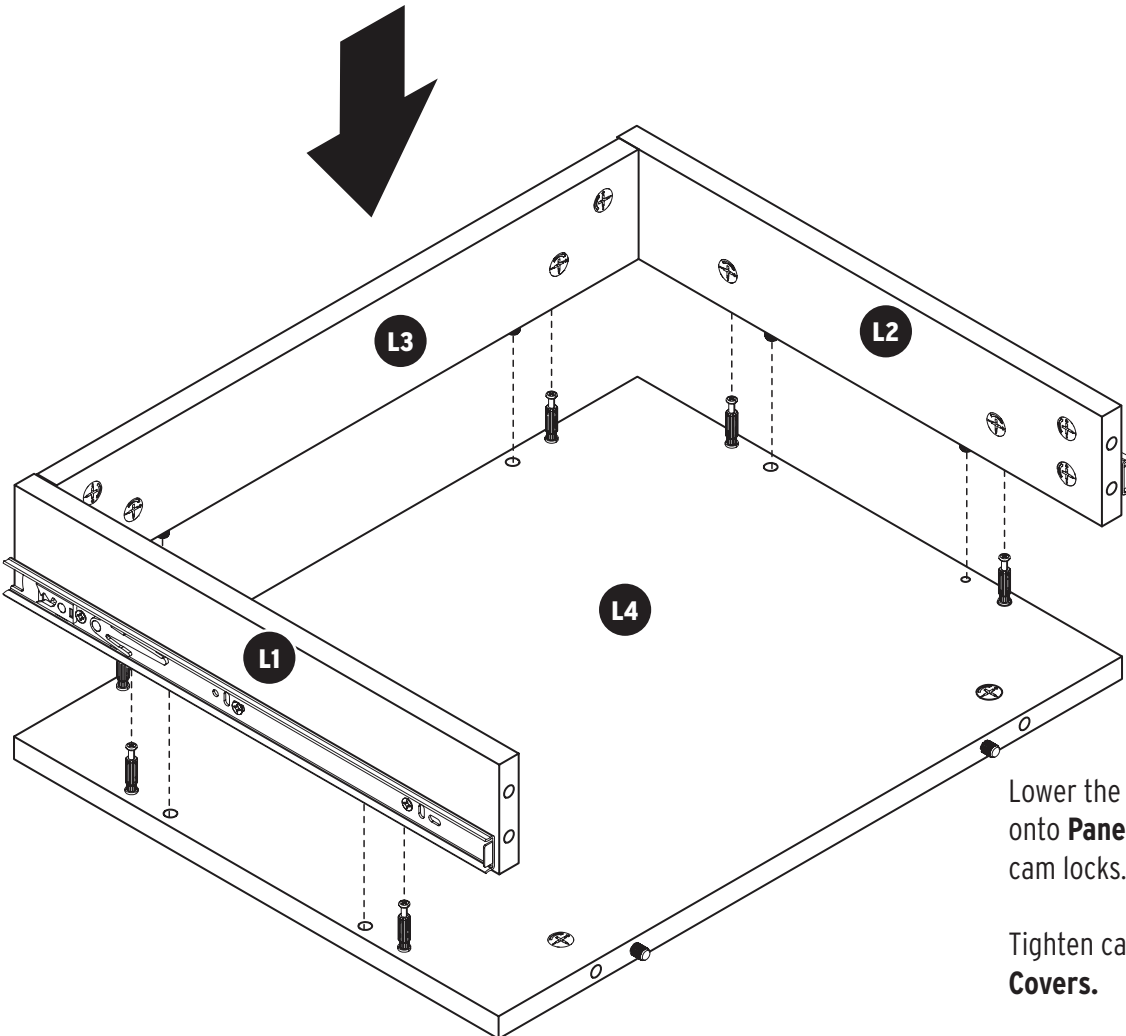
Step 4: Drawer

c2 
5/8" Cam Cover **x10**



Attach **Panel L3** to **Panels L1 and L2** as shown, inserting cam bolts into cam locks.

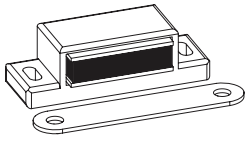
Tighten cam locks and apply **c2 Cam Covers**.



Lower the **Panel L1/L2/L3** assembly onto **Panel L4**, inserting cam bolts into cam locks.

Tighten cam locks and apply **c2 Cam Covers**.

Step 4: Drawer



m Magnet **x1**

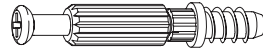


s1 3.5x14 Screw **x2**

c2



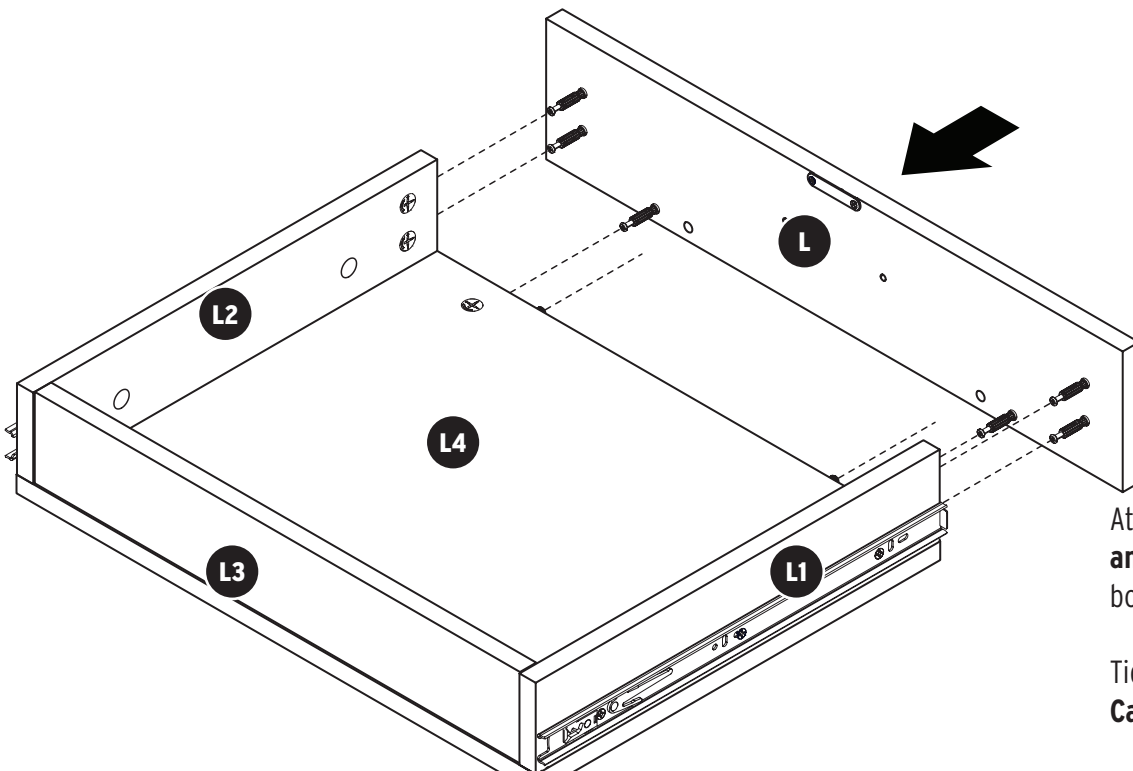
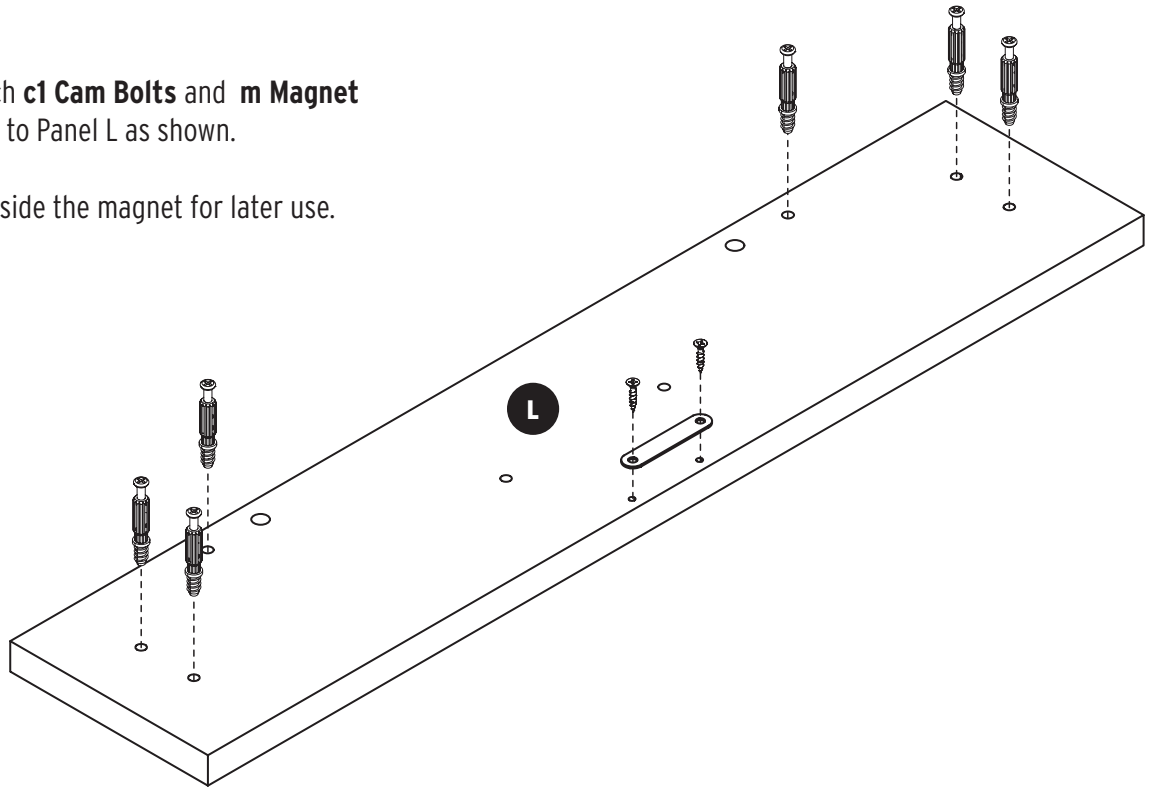
$\frac{5}{8}$ " Cam Cover **x6**



c1 6x35 Cam Bolt **x6**

Attach **c1 Cam Bolts** and **m Magnet** plate to Panel L as shown.

Set aside the magnet for later use.



Attach **Panel L** to **Panels L1, L2 and L4** as shown, inserting cam bolts into cam locks.

Tighten cam locks and apply **c2 Cam Covers**.

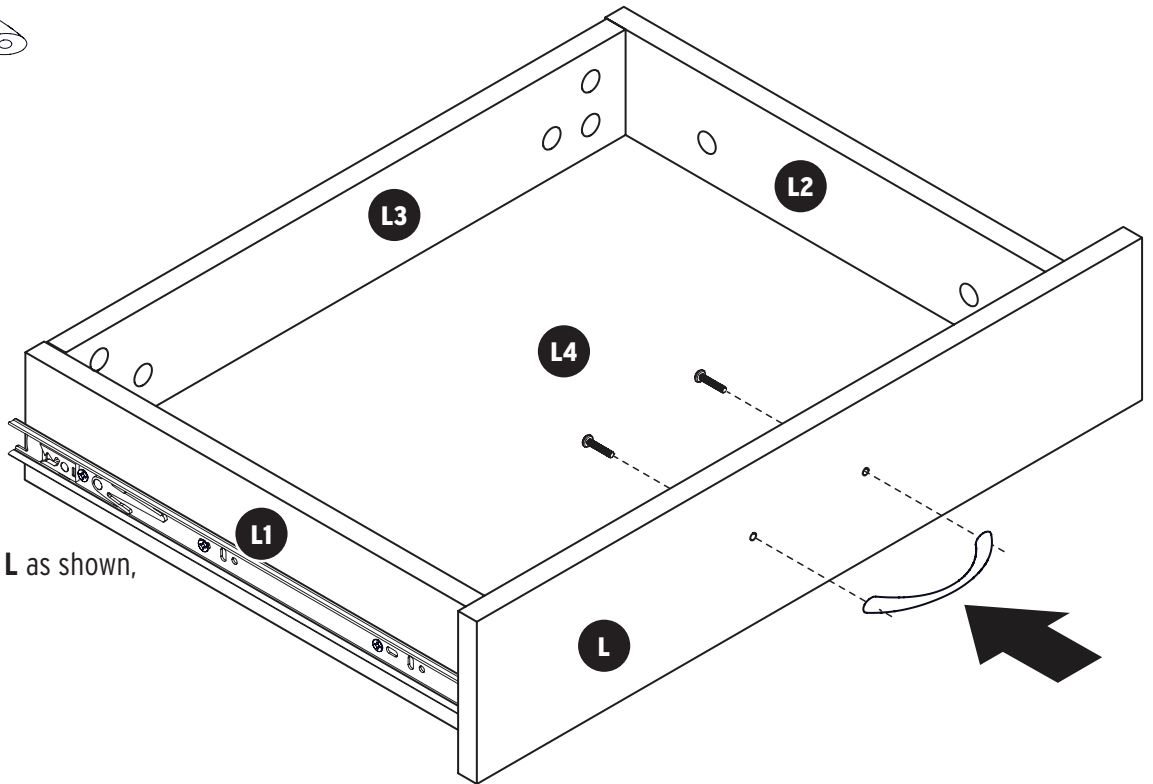
Step 4: Drawer



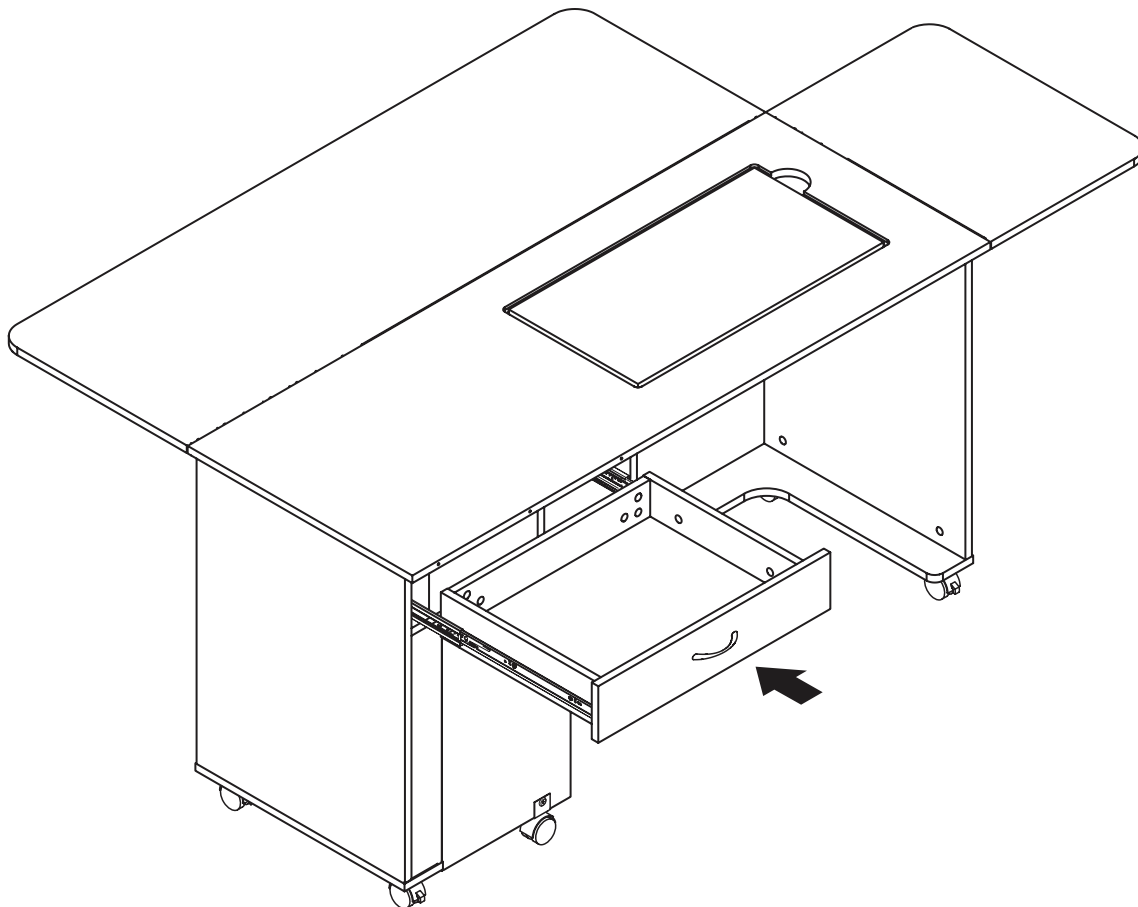
h Handle **x1**



b2 4x20 Fix Bolt **x2**



Attach **h** Handle to **Panel L** as shown, using **b2** Fix Bolts.



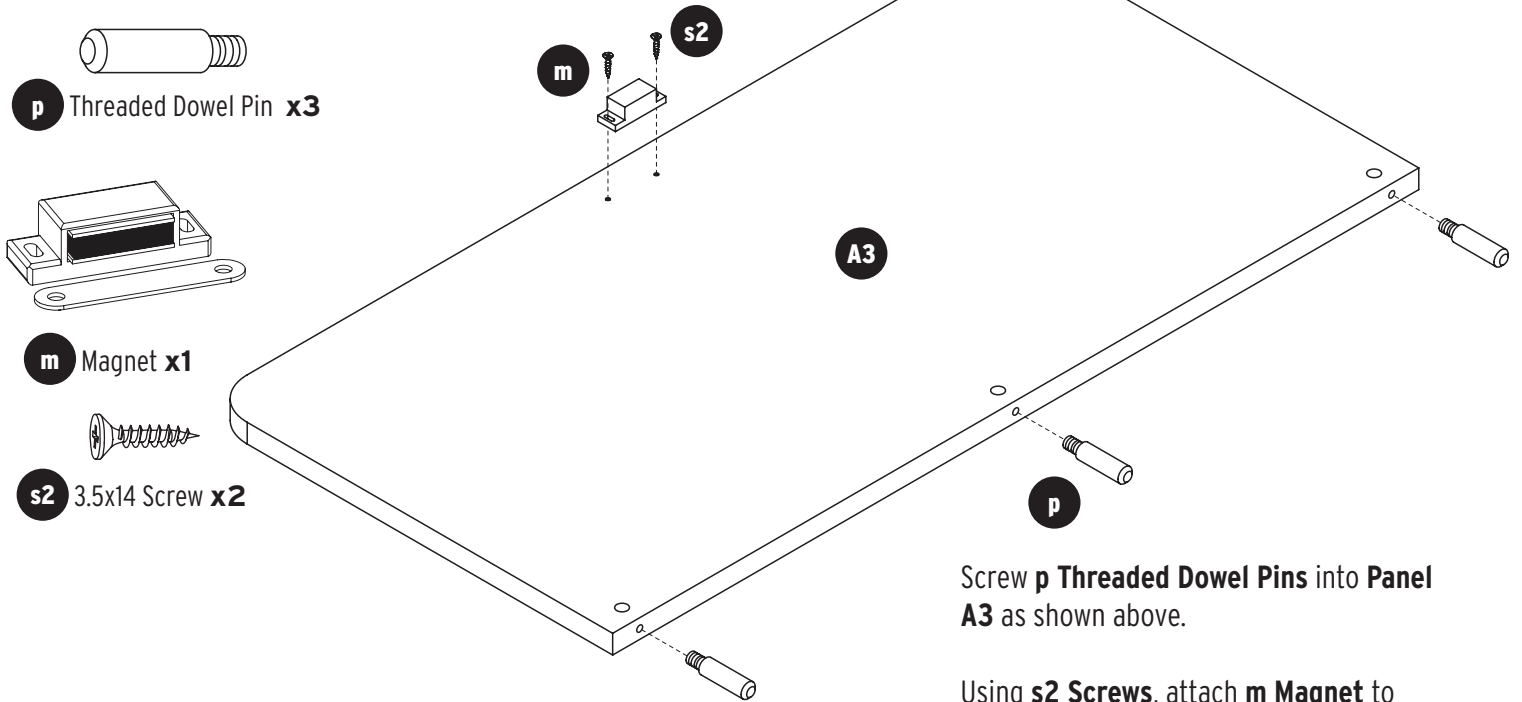
Fully extend the cabinet rails, align drawer rails, and slide drawers into cabinet.

Be sure that the silver ball bearing pieces are positioned all the way to the front of the rails.

TIP: Upon inserting drawers, listen for a "click" sound. Then gently open and close the drawers a few times to engage the Soft Close mechanism.

For detailed video instructions on how to install/adjust your soft close drawers, go to www.arrowsewing.com/assembly. At the bottom of the webpage you will find our Product Support Videos.

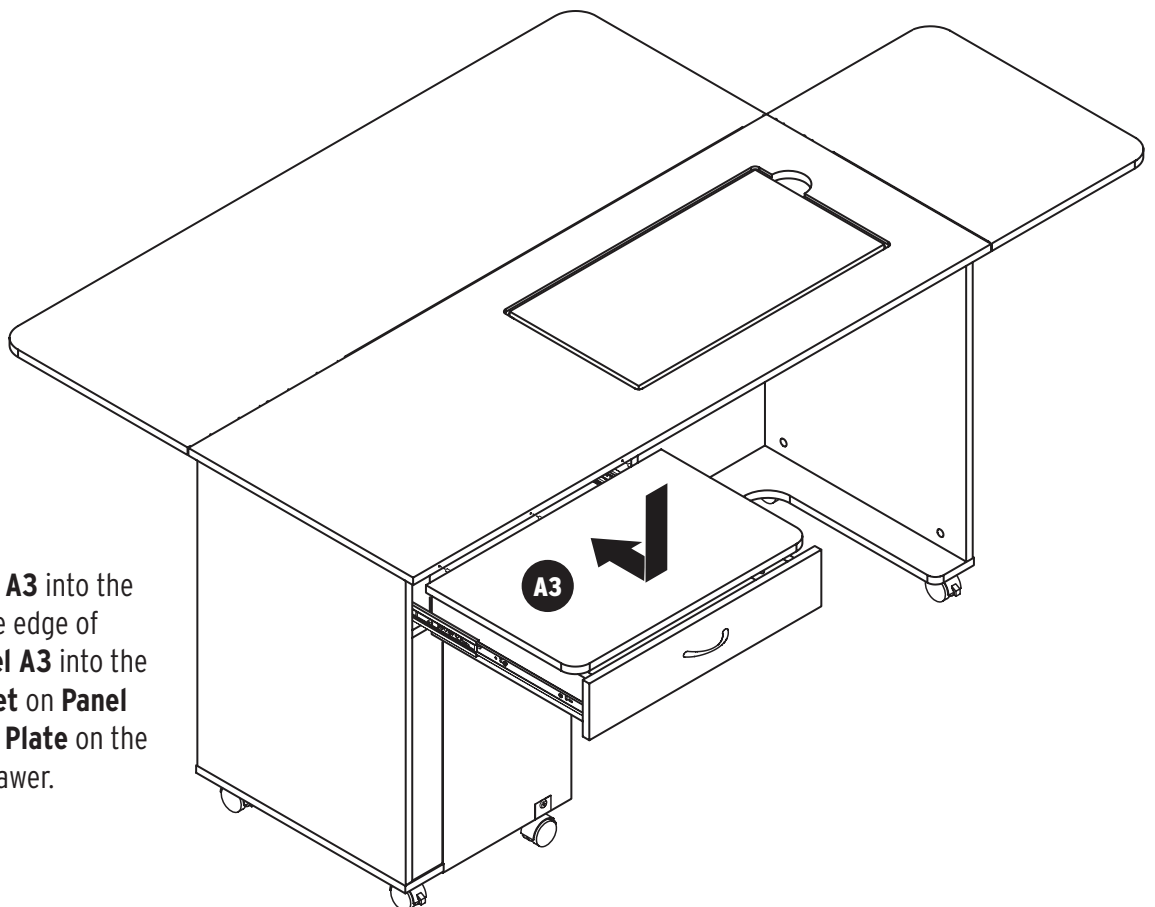
Step 5: In-Drawer Support Panel



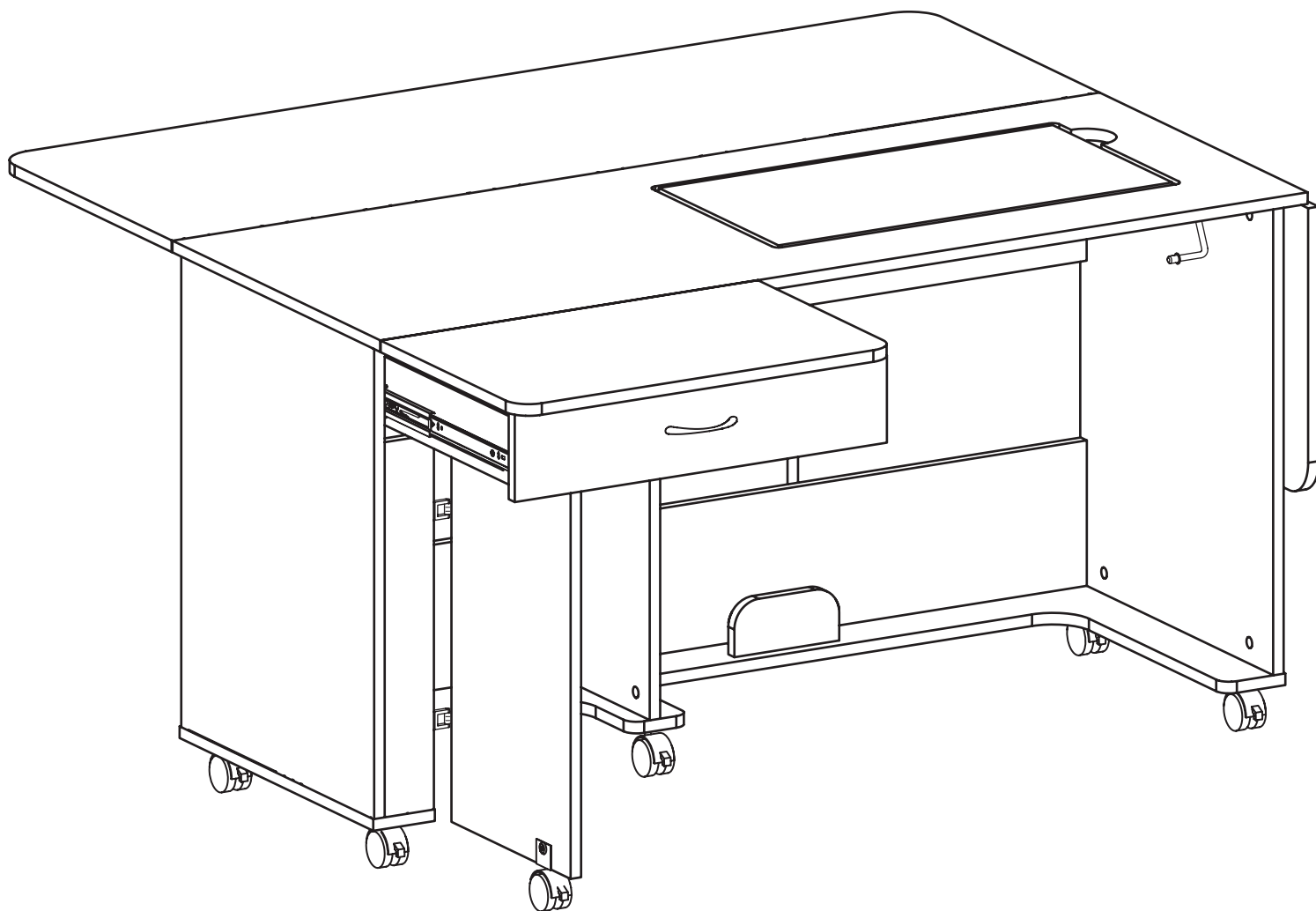
Screw **p** Threaded Dowel Pins into **Panel A3** as shown above.

Using **s2** Screws, attach **m** Magnet to **Panel A3** as illustrated.

Insert metal pegs on **Panel A3** into the pre-installed sockets on the edge of **Panel A**. Gently lower **Panel A3** into the drawer, aligning the **Magnet** on **Panel A3** with the **Magnet Catch Plate** on the inside front panel of the drawer.



Completed Christa Sewing Cabinet



Congratulations! A better sewing experience awaits!



LIMITED WARRANTY

Arrow Classic Sewing Furniture 10-Year Warranty

WHAT THIS WARRANTY COVERS: Arrow Companies, LLC (Arrow) provides limited warranty coverage to the original purchaser of this product against defects in materials or workmanship of Arrow furniture components for a period of ten years from the date of purchase. As used in this Warranty, "defect" means imperfections in components which substantially impair the utility of the product. This Warranty gives you specific legal rights, and you may also have other rights which vary from state to state.

HOW TO GET SERVICE: Simply contact Arrow at 1-800-533-7347 or CS@ArrowSewing.com. When you request warranty service, you must also present proof of purchase documentation, which includes the date of purchase (detailed receipt), and photos of the product. Arrow will replace any defective part (at its sole option), excluding labor. Replacement parts will be warranted for only the remaining period of the original Warranty.

Replacement parts will be shipped freight prepaid on any initial warranty claim during first year of Warranty only. Warranty applies only to defects confirmed by Arrow Companies, LLC and will be replaced or repaired at Arrow's option. In the event parts are no longer available for a warranty claim, customer may receive brand new cabinet at a price equal to 60% off the MSRP of a current comparable model.

WHAT'S NOT COVERED: There is no Warranty coverage for defects or conditions that result from the following: Failure to follow product assembly instructions, information or warnings; misuse or abuse; intentional damage; fire, flood, alteration or modification of the product; use of the product in a manner inconsistent with its intended use; any condition resulting from incorrect or inadequate maintenance, cleaning, care or neglect; cuts or scratches; caster damage as a result of moving furniture fully loaded or with locked casters; damage resulting from electrical surge or lightning; or use in commercial or education environments. Arrow Sewing Furniture is designed for residential use only.

ARROW SHALL HAVE NO LIABILITY for ANY INCIDENTAL OR CONSEQUENTIAL DAMAGES OF ANY KIND and all such damages are EXCLUDED FROM THIS WARRANTY, such as loss of use, disassembly, transportation, labor or damage to property on or near the product. Some states do not allow the exclusion or limitation of incidental or consequential damages, so the above limitation or exclusion may not apply to you. The Warranty cannot be transferred to subsequent owners or users of the product, and it shall be immediately void in the event the product is resold, transferred, leased or rented to any third party or person other than the original purchaser.

ADDITIONAL LIMITATIONS: THERE ARE NO OTHER WARRANTIES APPLICABLE TO THIS PRODUCT. Under the laws of certain states, there may be no implied warranties from Arrow and all implied warranties, INCLUDING ANY IMPLIED WARRANTY OF MERCHANTABILITY OR FITNESS FOR A PARTICULAR PURPOSE are disclaimed where allowed by law. TO THE EXTENT ANY IMPLIED WARRANTIES ARE APPLICABLE, ANY IMPLIED WARRANTIES, INCLUDING ANY IMPLIED WARRANTY OF MERCHANTABILITY OR FITNESS FOR A PARTICULAR PURPOSE, ARE LIMITED IN DURATION TO THE DURATION OF THIS EXPRESS WARRANTY or the minimum period allowed by law, whichever is shorter. Some states do not allow limitations on how long an implied Warranty lasts, so the above limitation may not apply to you. This limited warranty gives you specific legal rights. This limited warranty does not, in any way, affect the rights given to you by law.

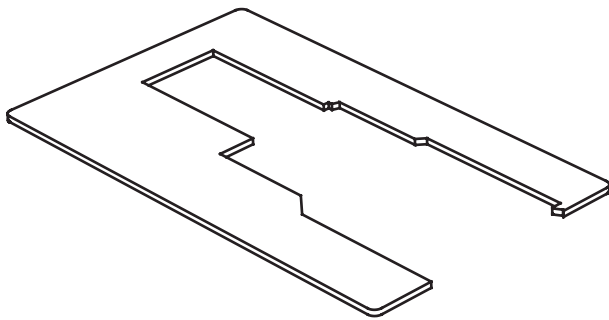
REGISTER YOUR PRODUCT: Original purchaser should register the purchase online at www.ArrowSewing.com/warranty.

COMPLETE YOUR SEWING STUDIO!

Elevate your sewing experience with Arrow's Best-Selling Accessories!

Custom Sewing Inserts

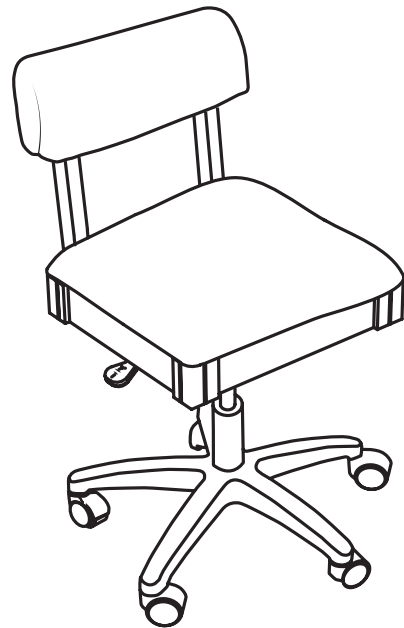
Enhance your sewing experience with a custom acrylic sewing insert! Custom acrylic sewing inserts are designed to fill the gap between your sewing machine and sewing cabinet's lift opening to create a flush, ergonomic surface for flat bed sewing. To ensure a perfect fit, custom acrylic sewing inserts are built specifically for your sewing machine and sewing cabinet combination. Say hello to happy wrists, straighter stitches, and an elevated sewing experience!



Custom Sewing Insert

Sewing Chairs

Arrow's #1 Rated Height Adjustable Sewing Chair is a must have accessory for your dream sewing room! Cute, comfortable and convenient - our lovable sewing chairs feature vibrant sewing themed patterns, 360° swivel access and lumbar support for long hours at your workstation. Don't look now, but under every seat cushion is a hidden storage compartment to store your notions and patterns! Available in 10 colors to perfectly match your sewing sanctuary!



Height Adjustable Sewing Chair