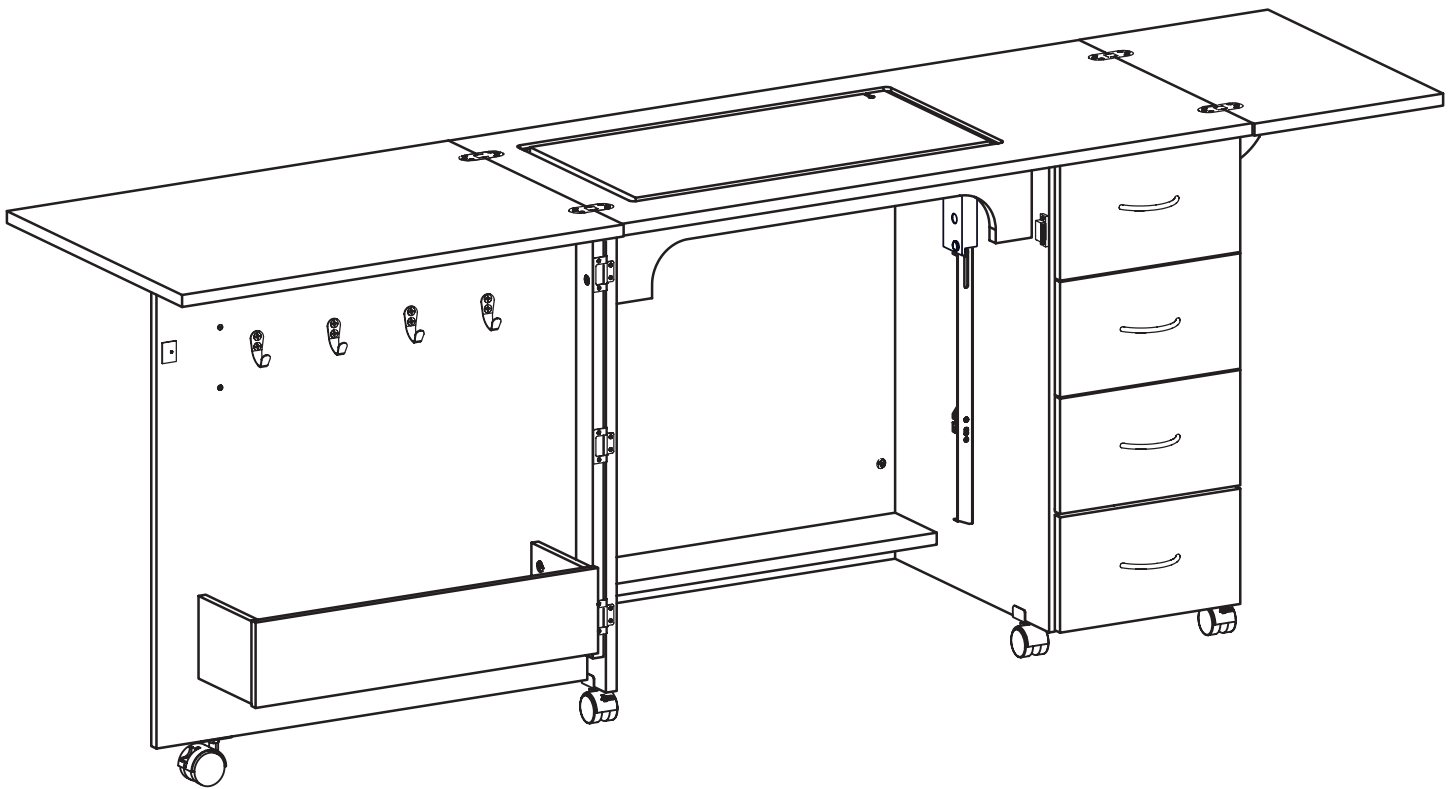


## ASSEMBLY INSTRUCTIONS

# Harriet

ITEM NO.: 305 Teak  
311 Ash White




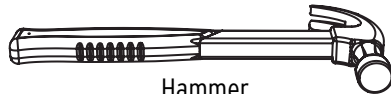
# General Assembly Guidelines

1. Read the instructions carefully before beginning the assembly process to ensure proper assembly of this product. Please open and inspect the contents of box(es) to see that all parts and hardware are included.

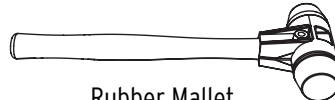
## 2. Tools Required



Phillips Screwdriver 




Hammer

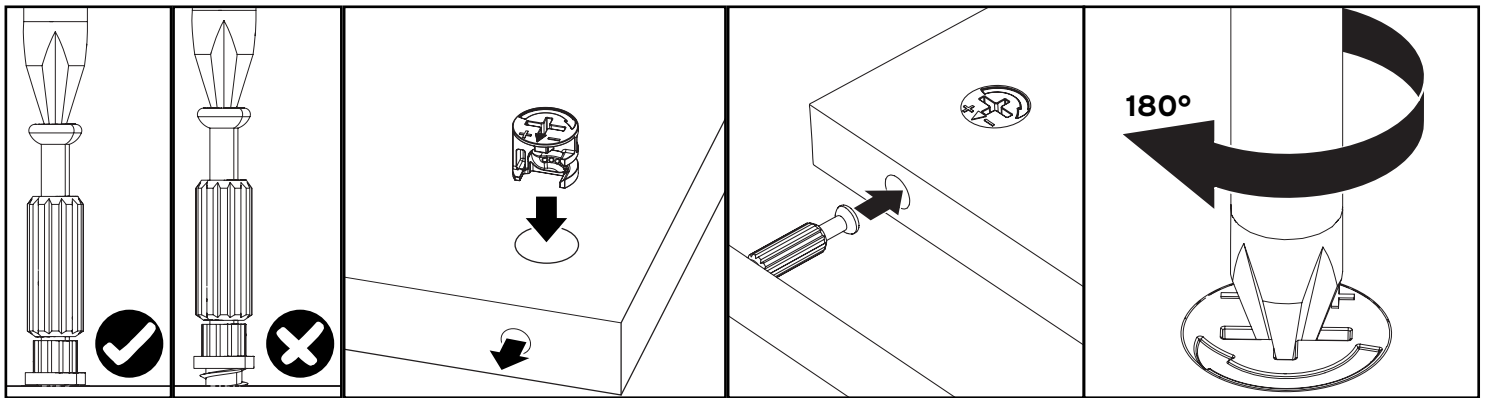


Rubber Mallet



Electric Screwdriver   
Torque set to 3-5

## 3. Understanding How the Cam Fastener Works



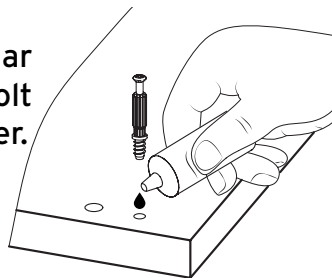
Screw cam bolts flush as illustrated.

Press cam into hole until flush with surface. The arrow direction must be in the direction of the hole.

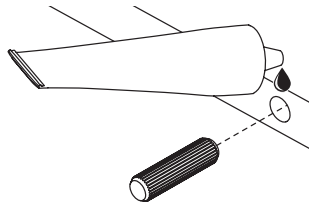
Insert bolt through pre-drilled hole in edge of panel.

Turn clockwise to lock cam with bolt.

**Tip:** place a small bit of WD-40 or similar lubricant into the pre-installed cam bolt holes to help the cam bolts screw in better.



4. **Glue** provided is to secure wood dowels in place and is optional. If glue is used during assembly, locate the appropriate hole for the dowel, place a small amount of glue in the hole and insert the dowel. Wipe away excess glue immediately. It is not necessary to glue the other end of the dowel when attaching to other parts.

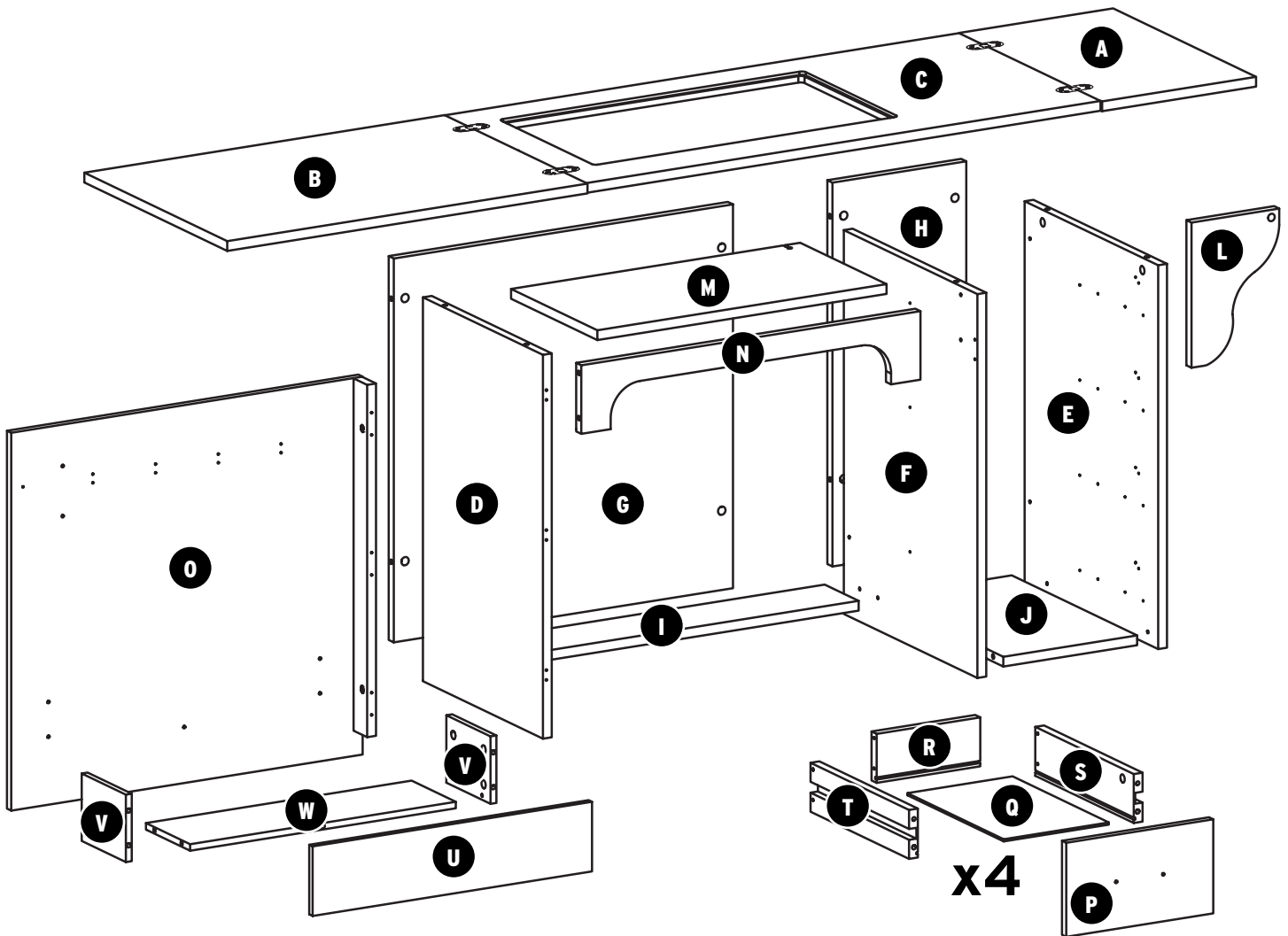


**Use and Care** Your cabinet normally requires a minimum amount of maintenance; however, the following points are worth noting:

**Cleaning** - To remove marks and enhance the surface, wipe with a gentle all-purpose cleanser. **DO NOT** use ammonia-based, harsh chemicals or abrasive cleaning agents. Wipe dry immediately.

**Electrical and Hydraulic Lifts** - Require annual lubrication with WD-40 or similar lubricant.

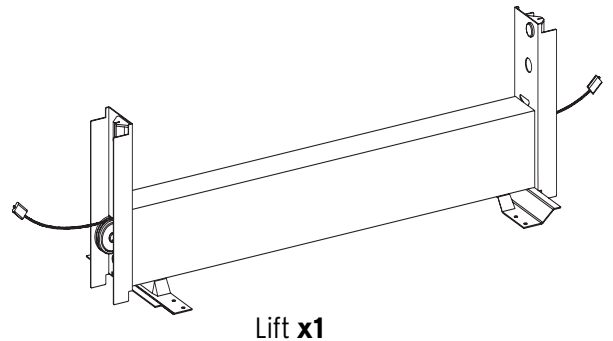
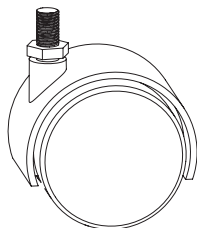
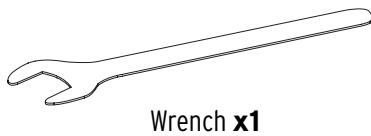
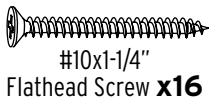
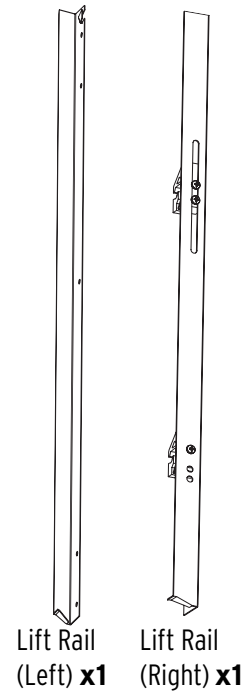
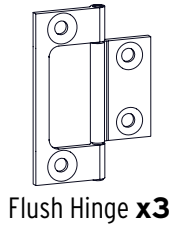
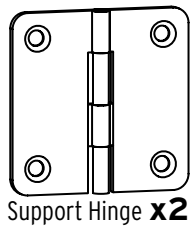
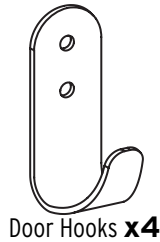
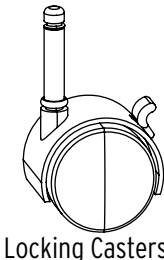
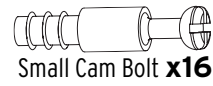
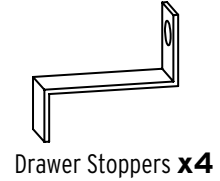
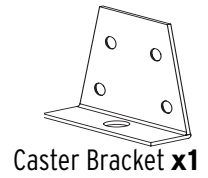
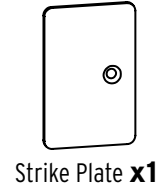
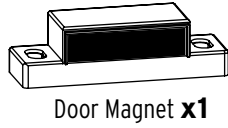
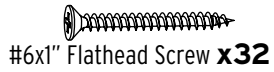
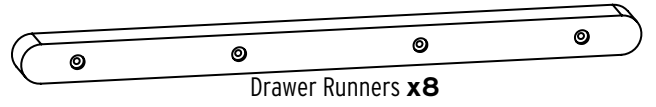
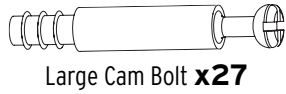
# Parts List: Panels



ITEM	DESCRIPTION	QTY	BOX	ITEM	DESCRIPTION	QTY	BOX
L	Leaf Support Wing	1	1 of 3	V	Door Bin Sides	2	2 of 3
J	Compartment Bottom	1	1 of 3	U	Door Bin Front	1	2 of 3
I	Shelf	1	1 of 3	W	Door Bin Bottom	1	2 of 3
H	Compartment Back	1	1 of 3	G	Back	1	2 of 3
T	Drawer Left Side	4	1 of 3	O	Door	1	2 of 3
S	Drawer Right Side	4	1 of 3	D	Left Side	1	3 of 3
R	Drawer Back	4	1 of 3	E	Right Side	1	3 of 3
A/B/C	Top & leaves (pre-assembled)	1	1 of 3	F	Center Partition	1	3 of 3
N	Front	1	2 of 3	M	Lift Platform	1	3 of 3
P	Drawer Fronts	4	2 of 3	Q	Drawer Bottoms	4	3 of 3
	Lift and Hardware Box	1	2 of 3				

# Parts List: Hardware

**TIP: Keep all the parts in their individually labeled bags. This will make finding parts easier as you assemble your cabinet.**



# Step 1: Cabinet Shell - Back and Left Panel



12mm Cam Lock **x6**



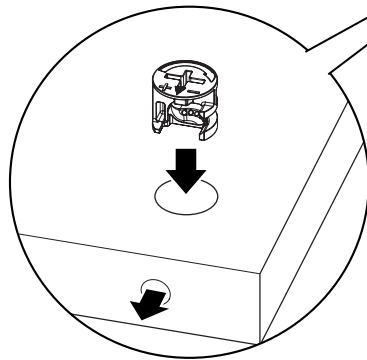
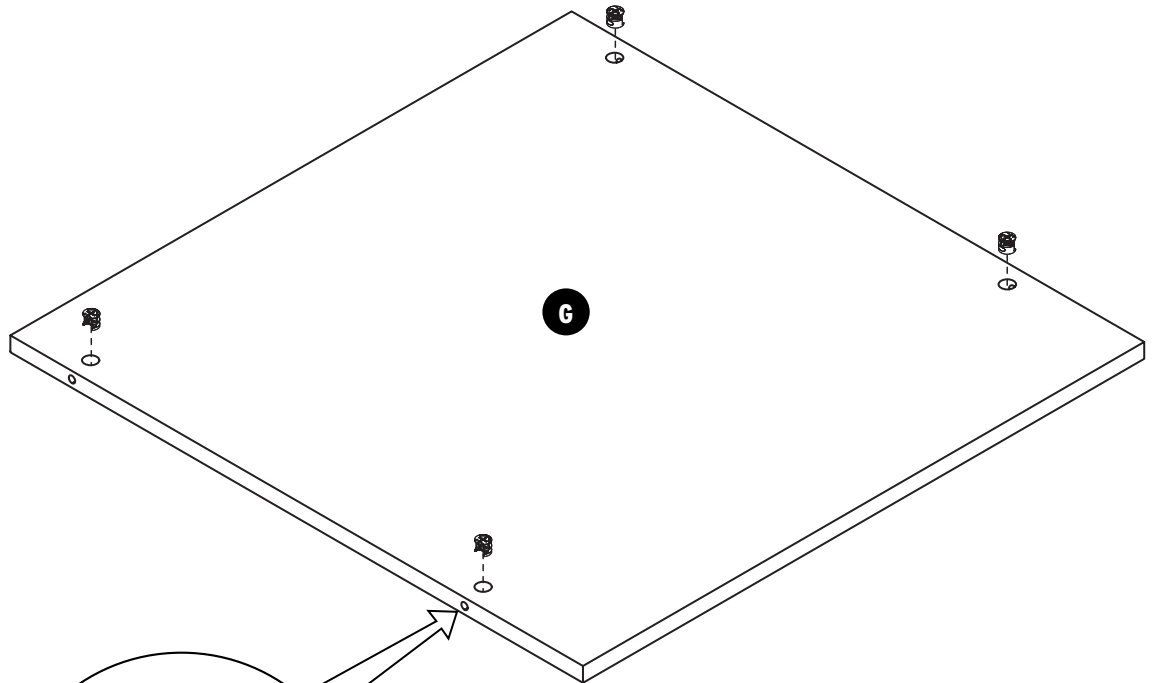
Long Cam Bolts **x6**



4x14 Screw **x3**



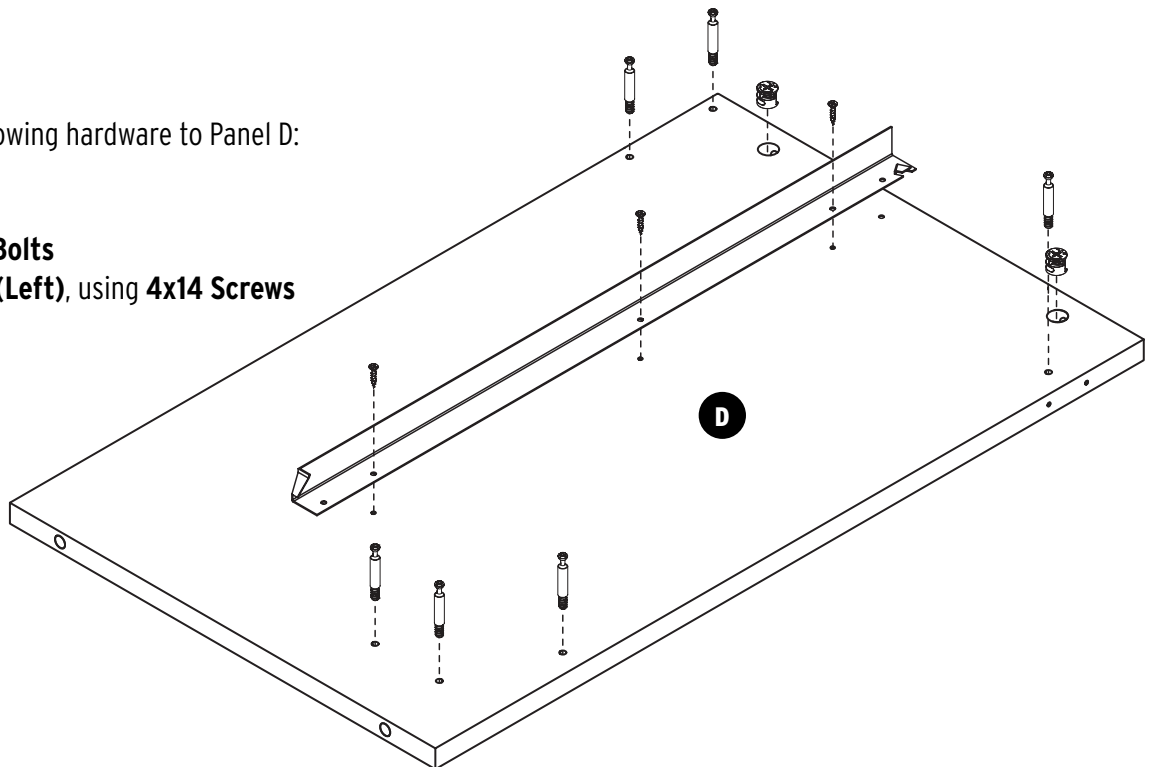
Lift Rail (Left) **x1**



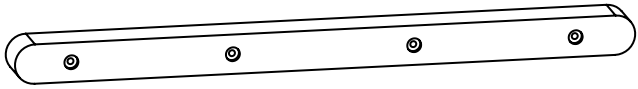
Insert **4 Cam Locks** into **Panel G**. Be sure that the arrow on the cam lock is pointing toward the edge of the panel (as shown at left).

Attach the following hardware to Panel D:

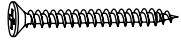
- **2 Cam Locks**
- **6 Long Cam Bolts**
- the **Lift Rail (Left)**, using **4x14 Screws**



# Step 1: Cabinet Shell - Right Panel



Drawer Runners **x4**



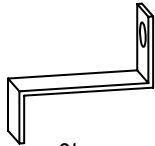
#6x1" Flathead Screws **x16**



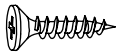
12mm Cam Lock **x2**



Long Cam Bolts **x4**



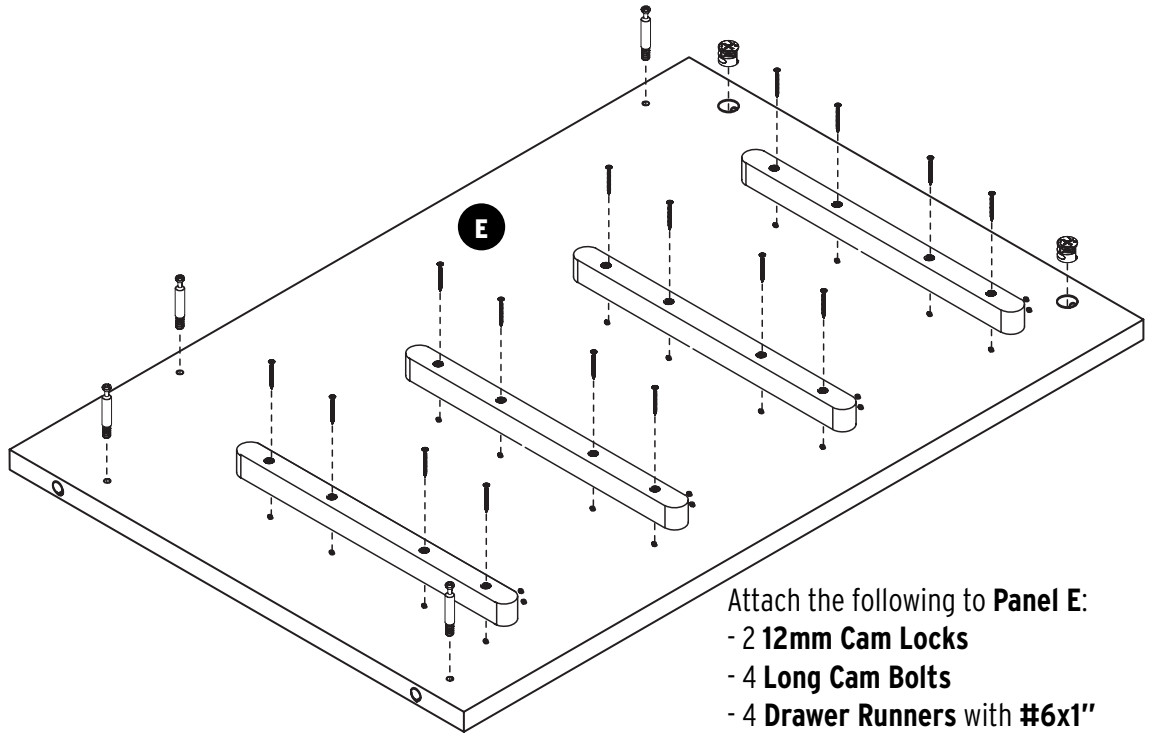
Drawer Stoppers **x4**



4x14 Screw **x4**



Metal Dowels **x4**

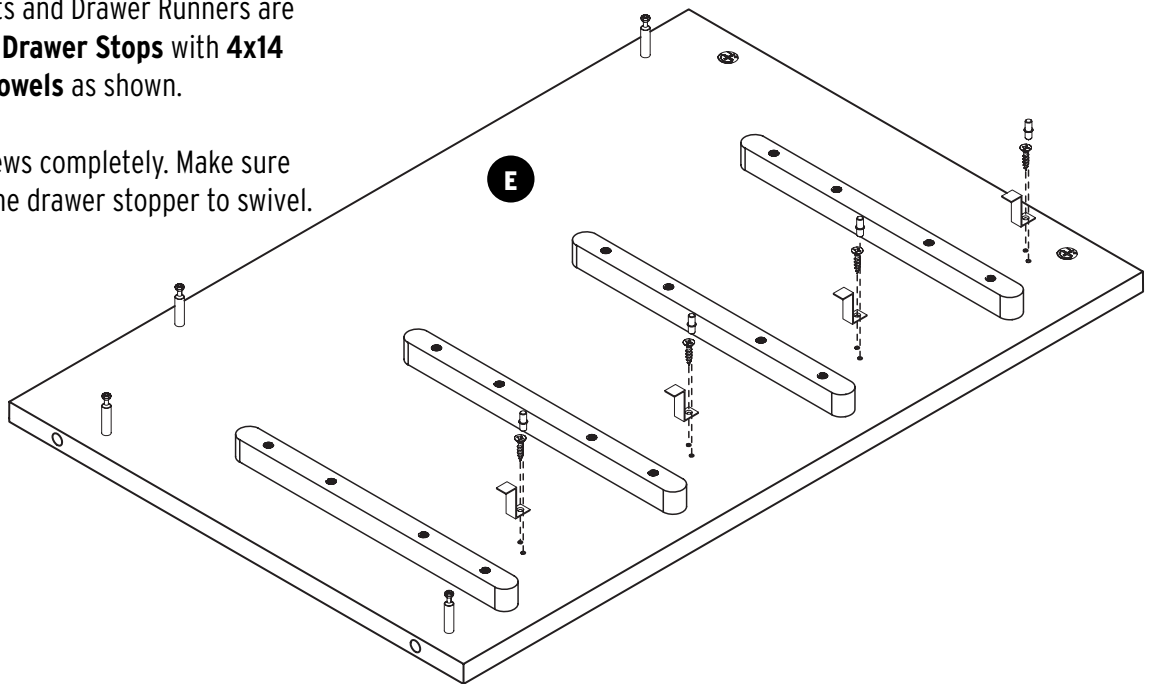


Attach the following to **Panel E**:

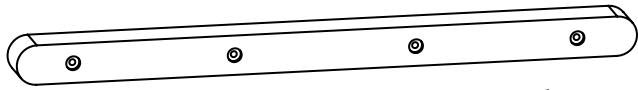
- 2 12mm Cam Locks
- 4 Long Cam Bolts
- 4 Drawer Runners with #6x1" Flathead Screws

Once the Cam Locks, Cam Bolts and Drawer Runners are attached to **Panel E**, attach 4 **Drawer Stoppers** with **4x14 Screws**, and insert 4 **Metal Dowels** as shown.

**NOTE:** Do not tighten the screws completely. Make sure you leave enough space for the drawer stopper to swivel.



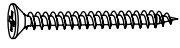
# Step 1: Cabinet Shell - Partition Panel



Drawer Runners **x4**



Door Magnet **x1**



#6x1" Flathead Screws **x16**



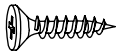
#6x5/8" Gold Panhead Screws **x2**



12mm Cam Lock **x1**



Long Cam Bolts **x10**



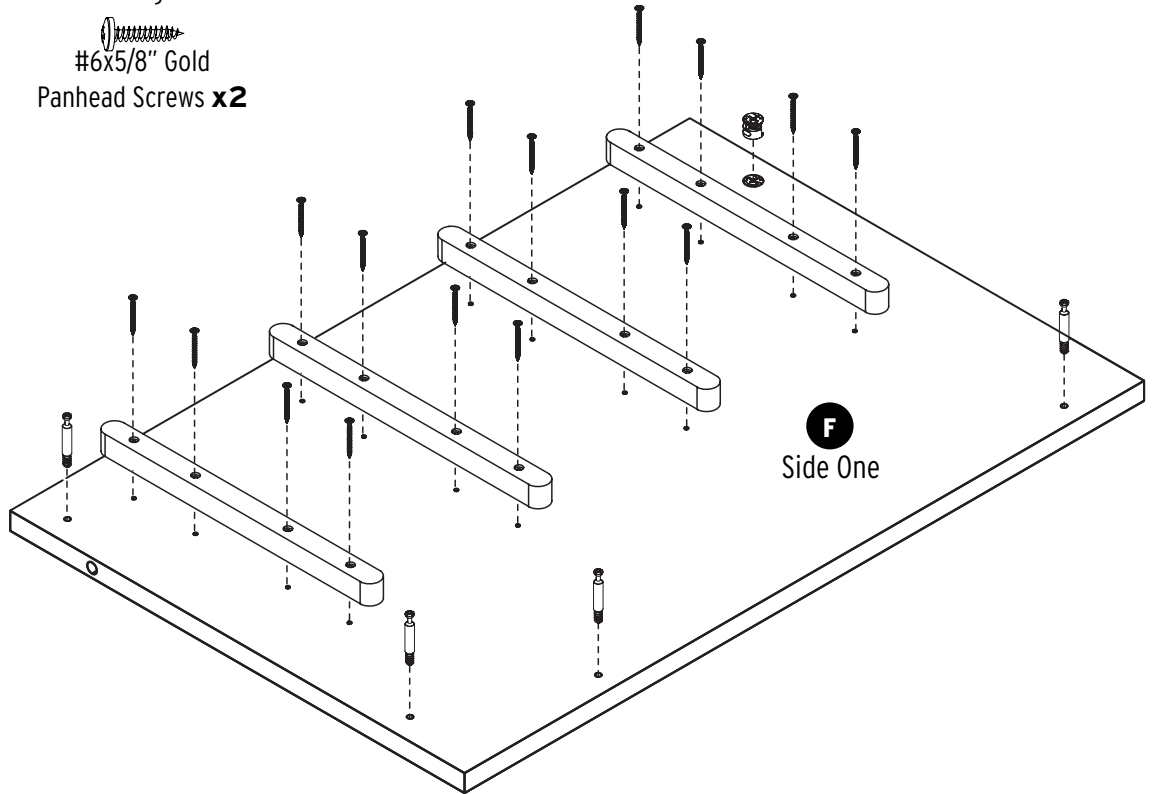
4x14 Screw **x3**



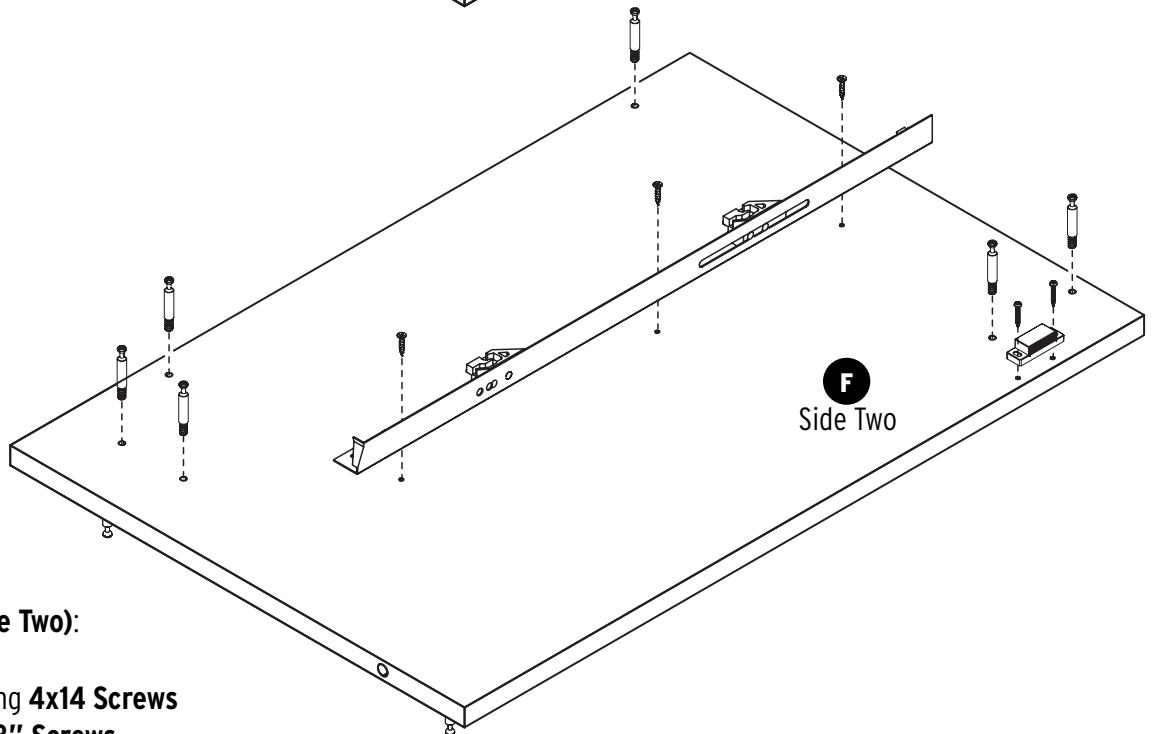
Lift Rail (Right) **x1**

Attach the following to **Panel F (Side One)**:

- 1 12mm Cam Lock
- 4 Long Cam Bolts
- 4 Drawer Runners with #6x1" Flathead Screws



**F**  
Side One



**F**  
Side Two

Flip **Panel F** over.

Attach to **Panel F (Side Two)**:

- 6 Long Cam Bolts
- Lift Rail (Right), using 4x14 Screws
- Magnet with #6x5/8" Screws

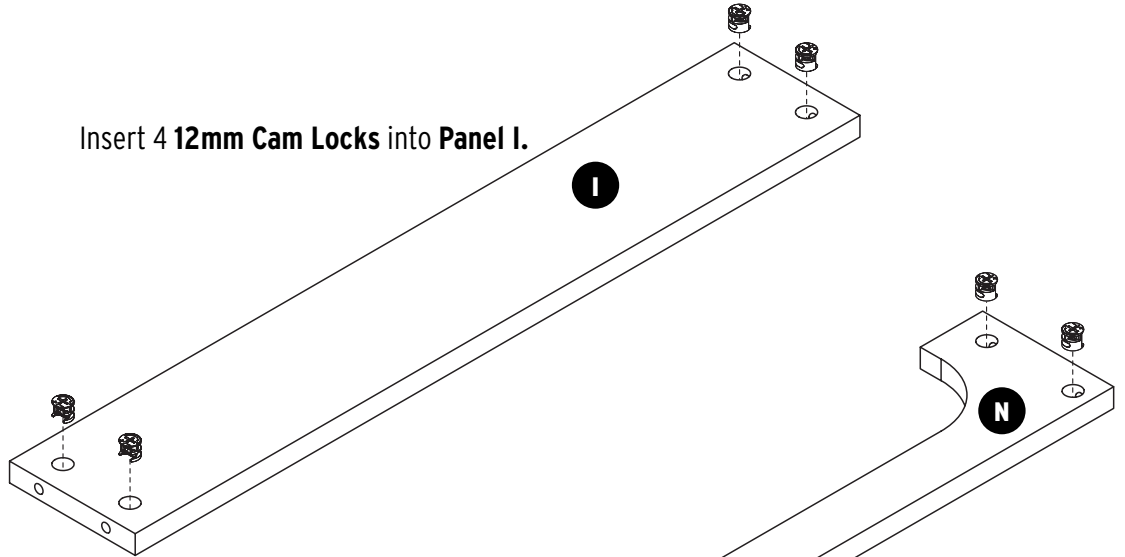
**NOTE:** When installing the Magnet, make sure that the magnetic side is facing the front edge of Panel F as shown.

# Step 1: Cabinet Shell - Front, Shelf, and Drawer Compartment

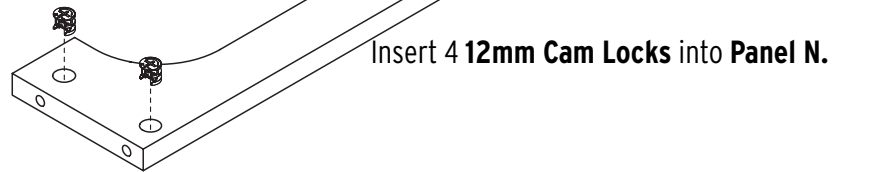


12mm Cam Lock **x16**

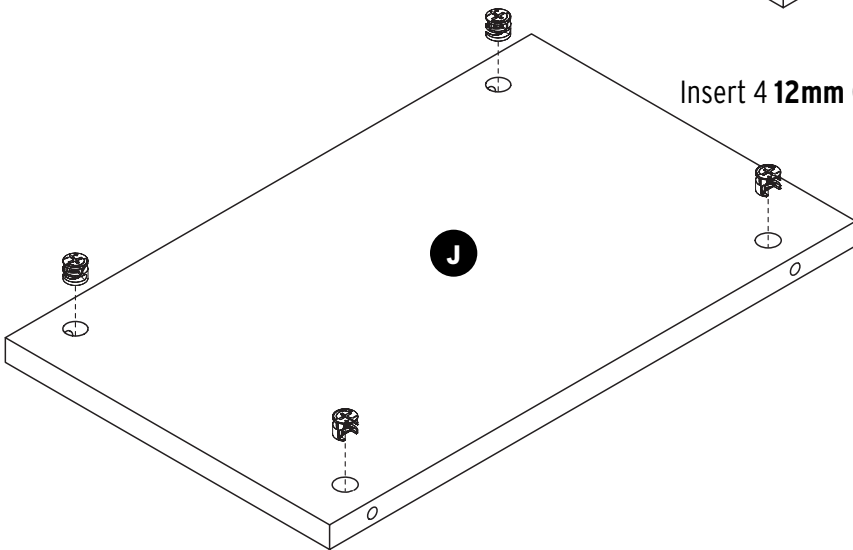
Insert 4 **12mm Cam Locks** into **Panel I**.



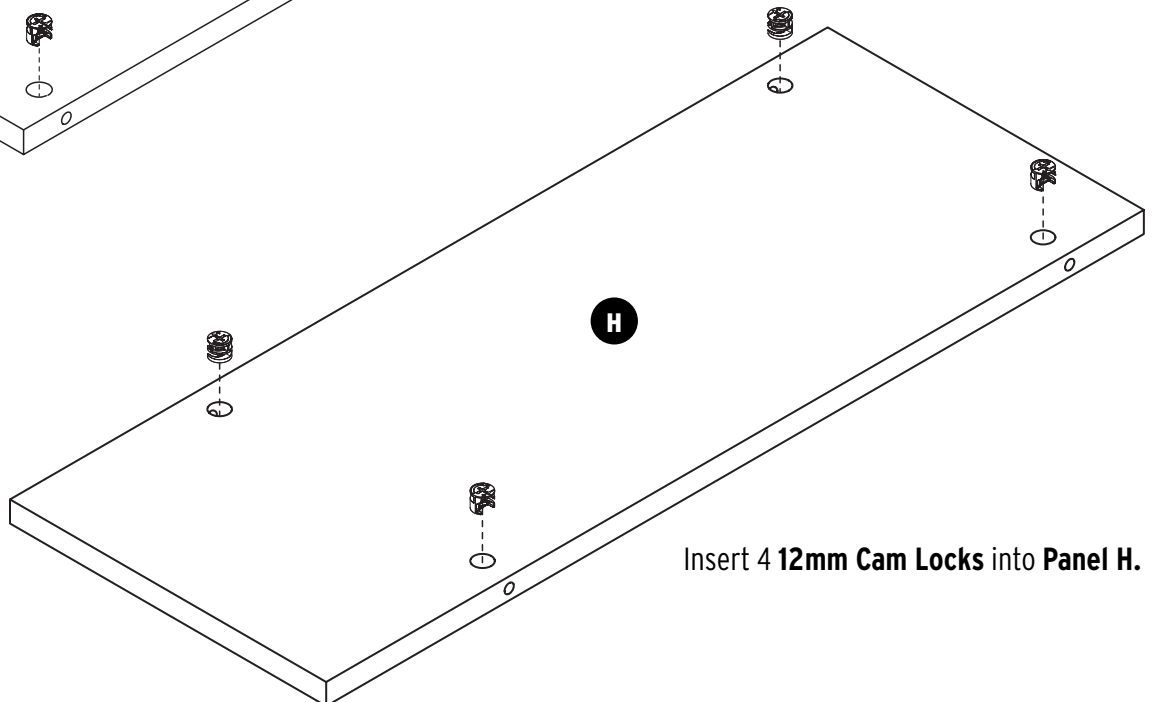
Insert 4 **12mm Cam Locks** into **Panel N**.



Insert 4 **12mm Cam Locks** into **Panel J**.



Insert 4 **12mm Cam Locks** into **Panel H**.

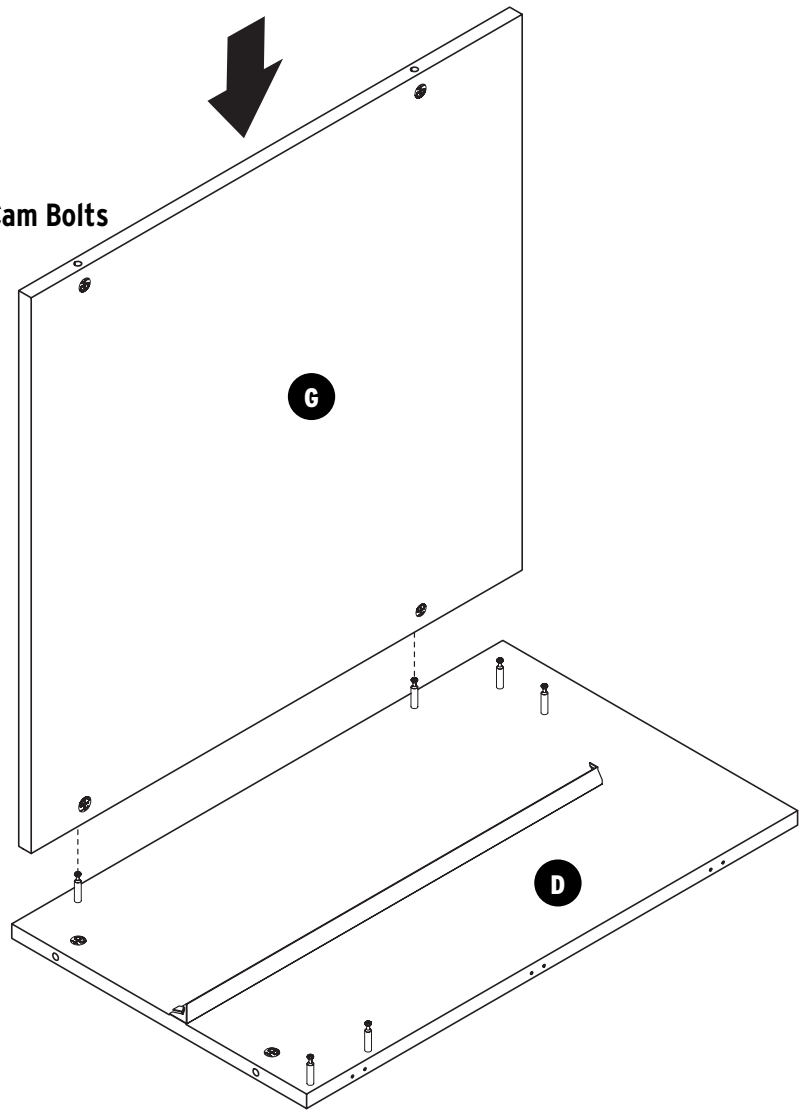




## Step 2: Cabinet Shell - Assembly

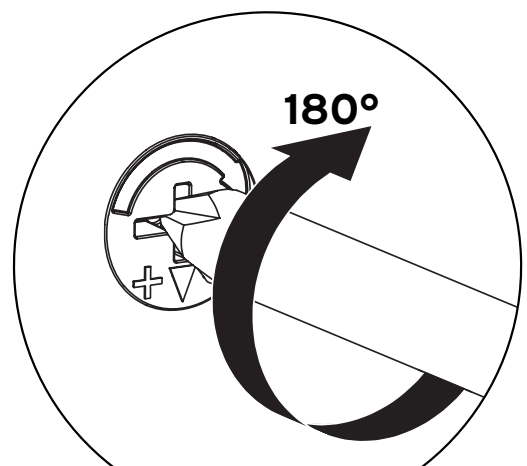
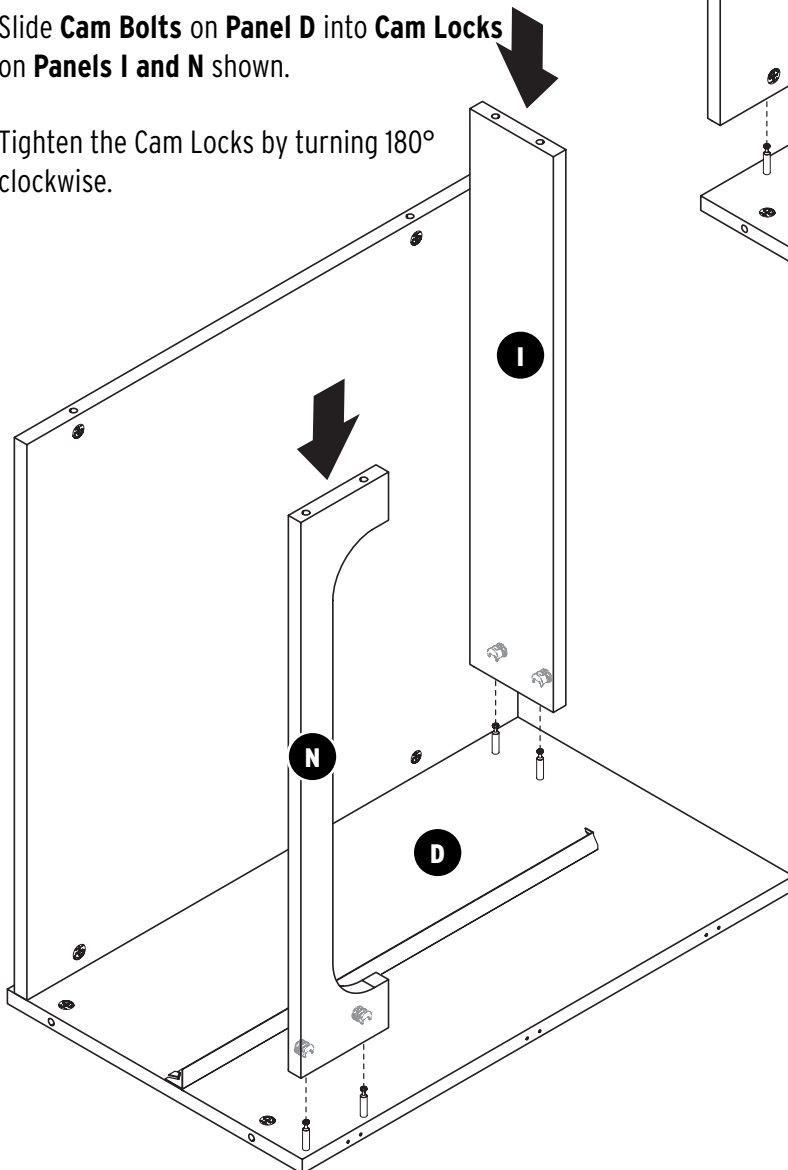
Lay **Panel D** on the floor as shown, and slide the **Cam Bolts** on **Panel D** into **Cam Locks** on **Panel G** as shown.

Tighten the Cam Locks by turning 180° clockwise.



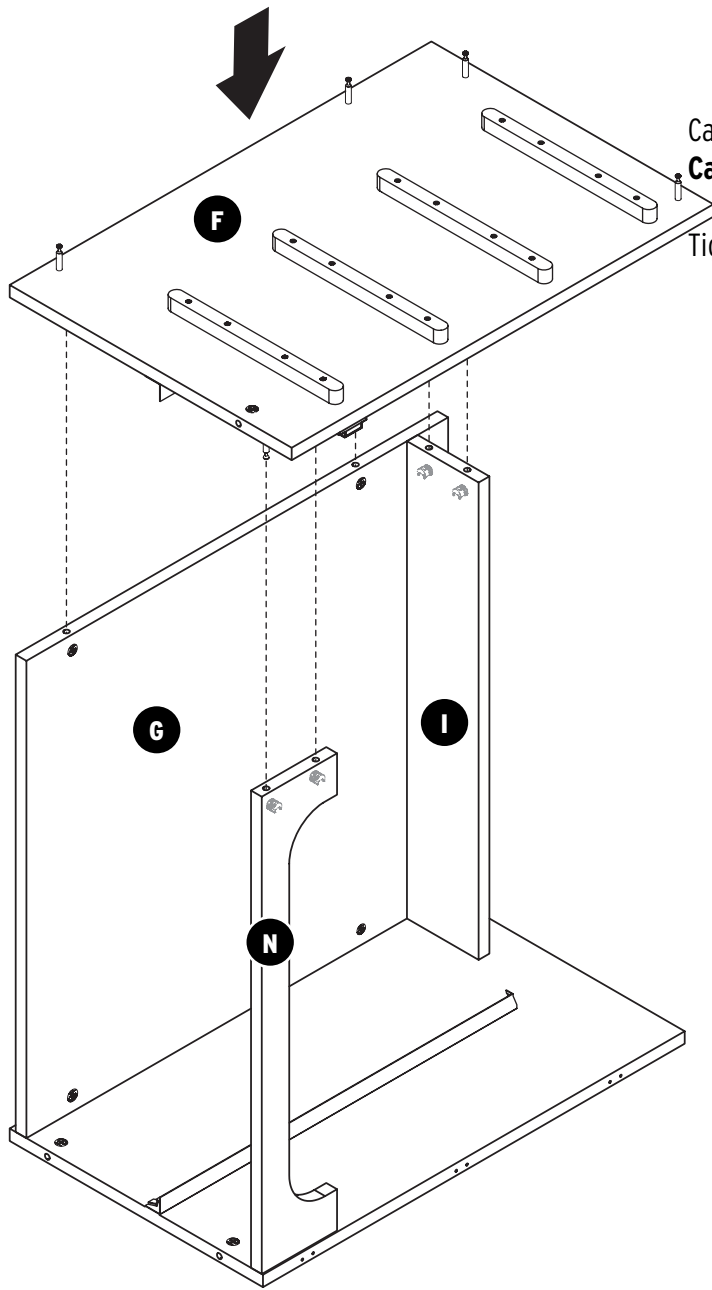
Slide **Cam Bolts** on **Panel D** into **Cam Locks** on **Panels I and N** shown.

Tighten the Cam Locks by turning 180° clockwise.



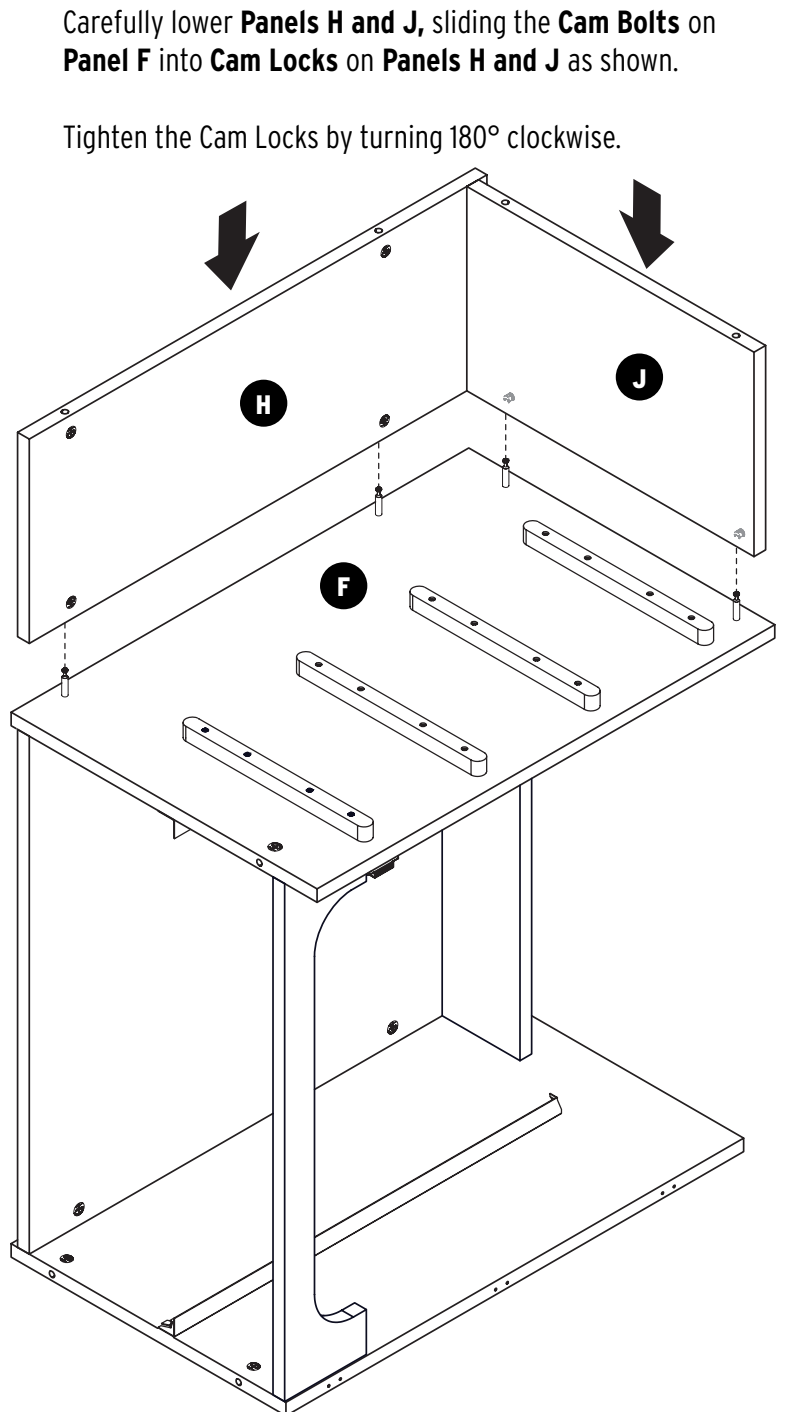
**Remember to tighten the Cam Locks!**

## Step 2: Cabinet Shell - Assembly



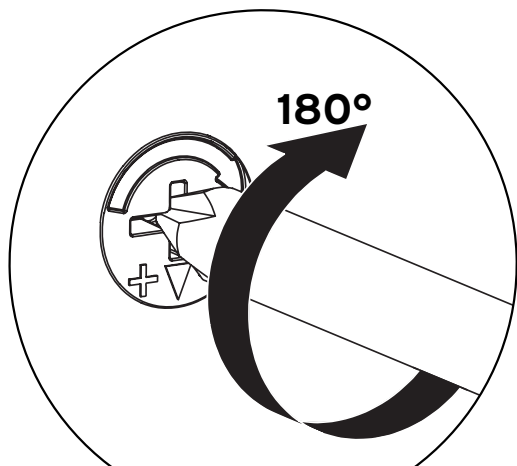
Carefully lower **Panel F**, sliding the **Cam Bolts** on **Panel F** into **Cam Locks** on **Panels G, I and N** as shown.

Tighten the Cam Locks by turning 180° clockwise.



Carefully lower **Panels H and J**, sliding the **Cam Bolts** on **Panel F** into **Cam Locks** on **Panels H and J** as shown.

Tighten the Cam Locks by turning 180° clockwise.

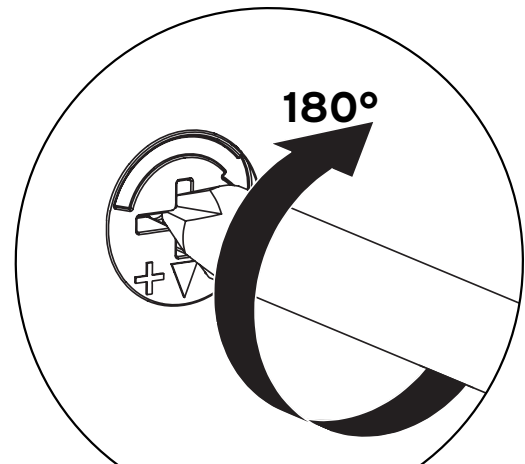
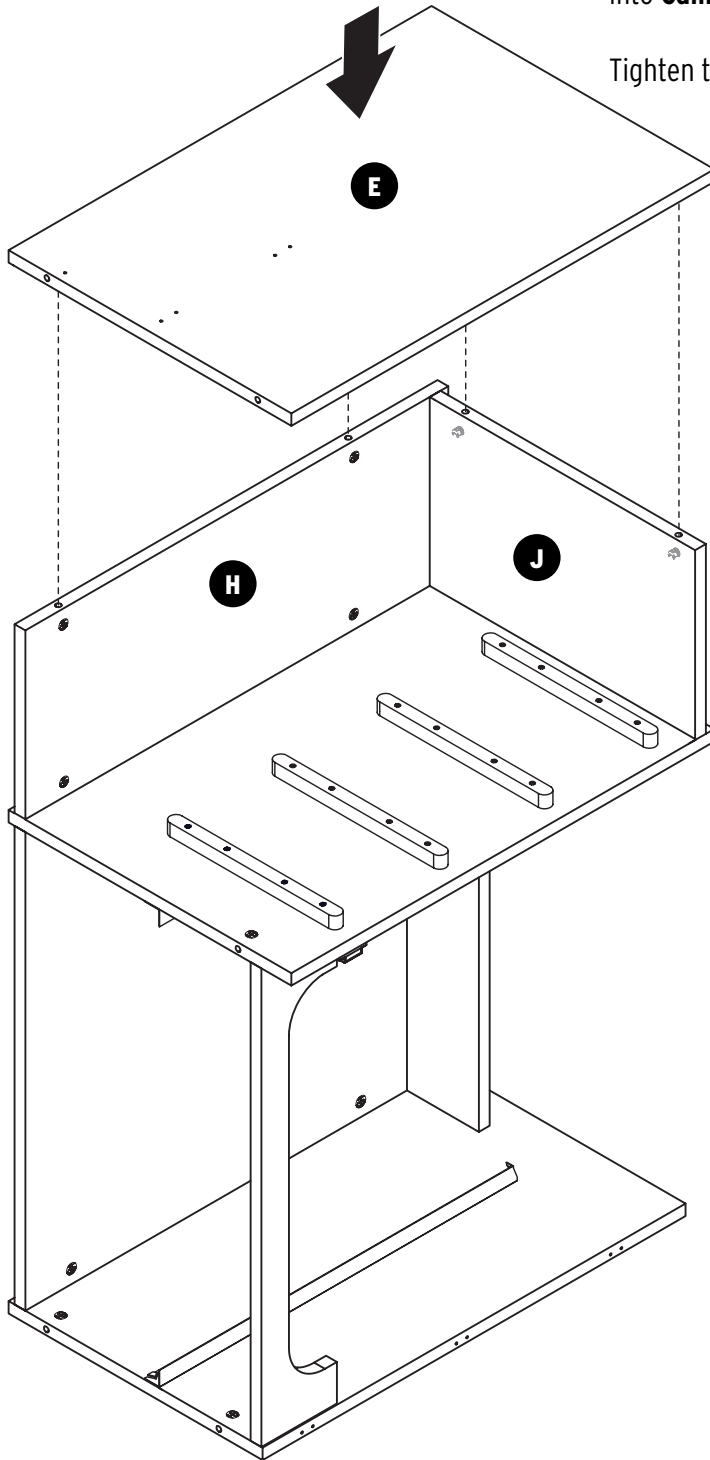


**Remember to tighten the Cam Locks!**

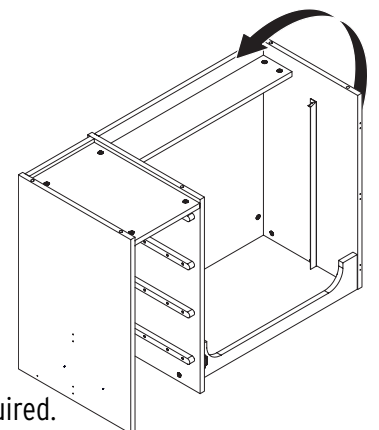
## Step 2: Cabinet Shell - Assembly

Carefully lower **Panel E**, sliding the **Cam Bolts** on **Panel E** into **Cam Locks** on **Panels H and J** as shown.

Tighten the Cam Locks by turning 180° clockwise.



**Remember to tighten the Cam Locks!**

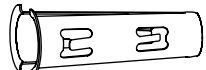


Flip the cabinet over so that it is upside down.  
You may need a friend to help you, but it is not required.

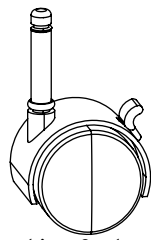
# Step 3: Cabinet Shell - Casters



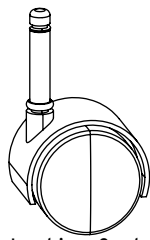
Caster Clip **x5**



Caster Insert **x5**



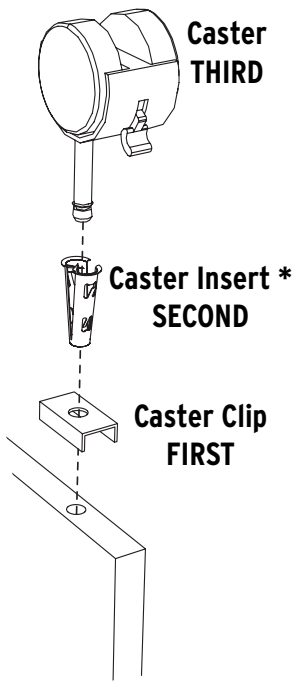
Locking Casters **x2**



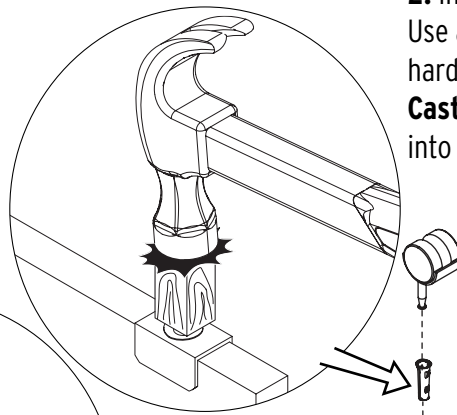
Non-Locking Casters **x3**

1. Place the **Caster Clip**.
2. Insert **Caster Insert\***. Use a wooden block or other hard, flat item to protect the **Caster Insert** and pound into place with a hammer.

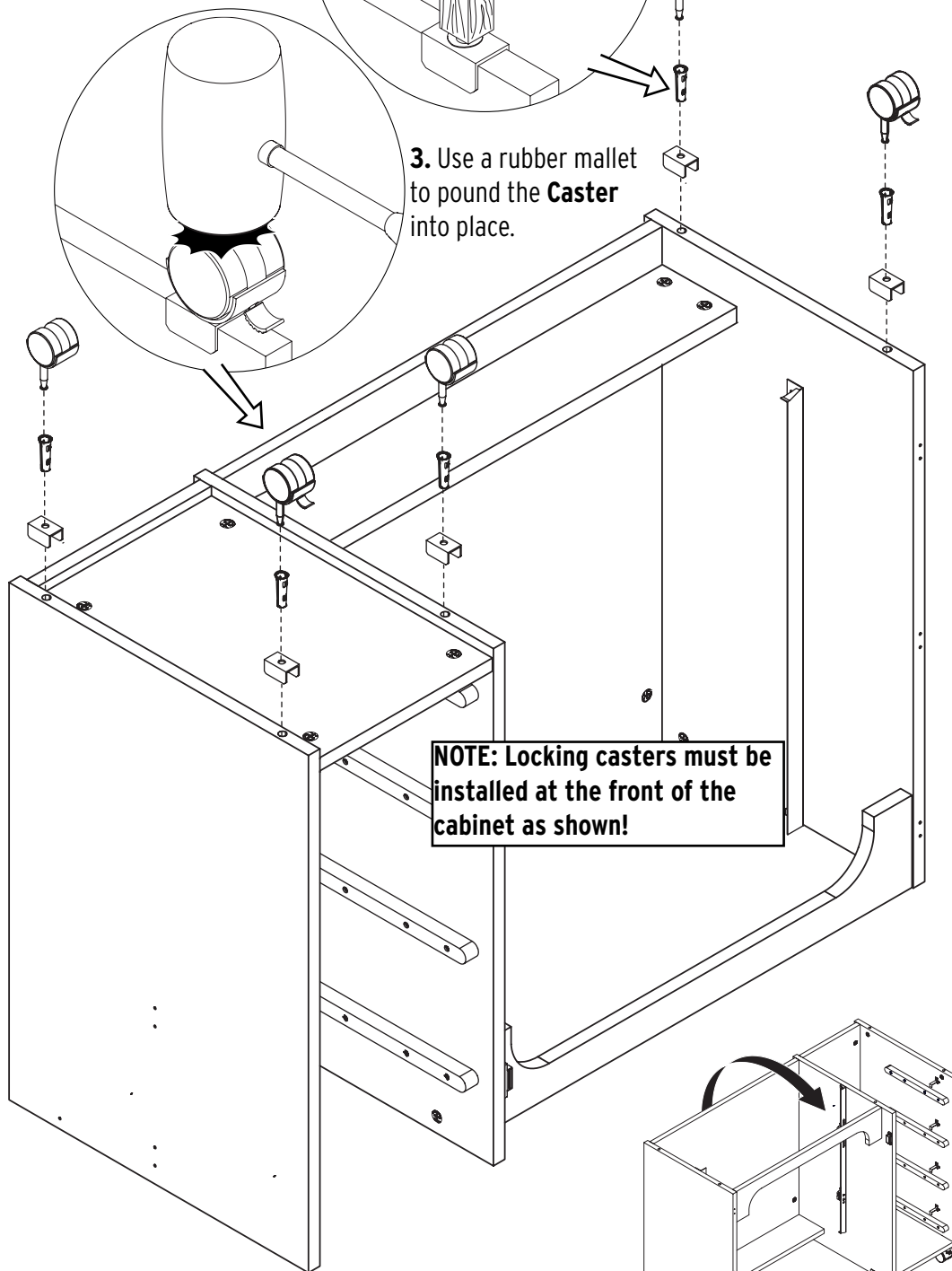
**NOTE:** Casters must be installed in this order:



**\*NOTE:** Position **Caster Insert** exactly as shown to avoid damaging your cabinet.

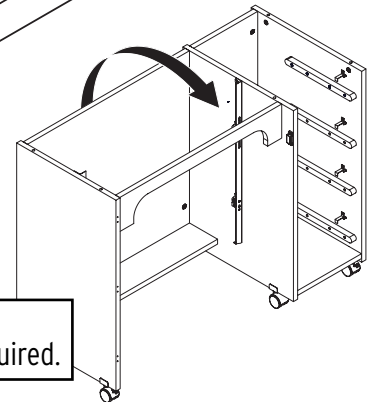


3. Use a rubber mallet to pound the **Caster** into place.



**NOTE:** Locking casters must be installed at the front of the cabinet as shown!

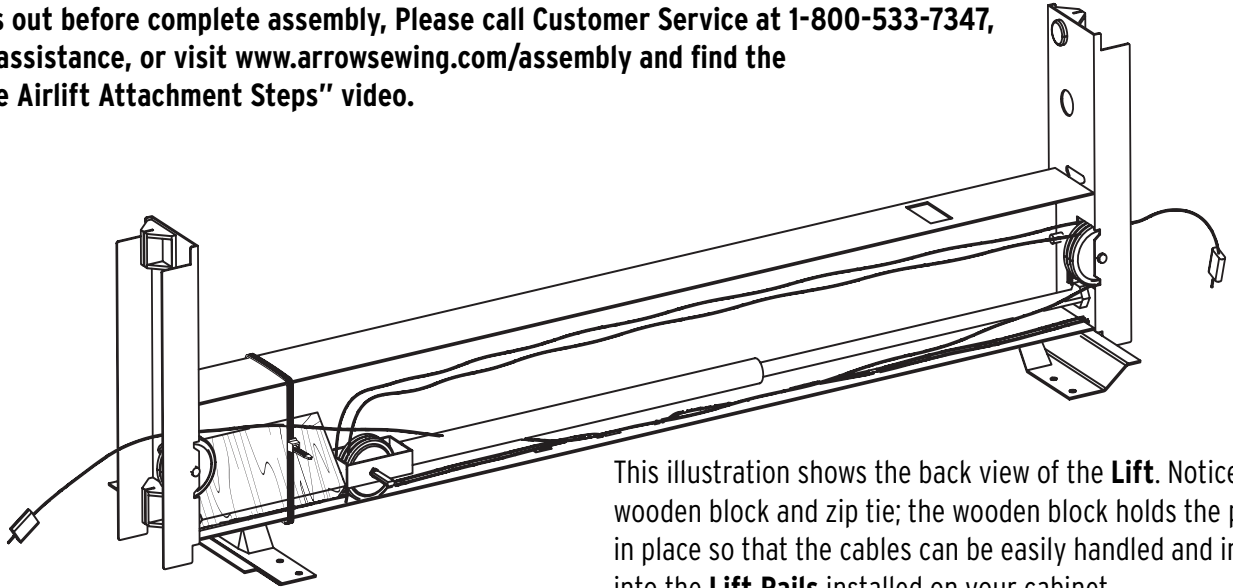
Flip the cabinet over so that it is up on its wheels. You may need a friend to help you, but it is not required.



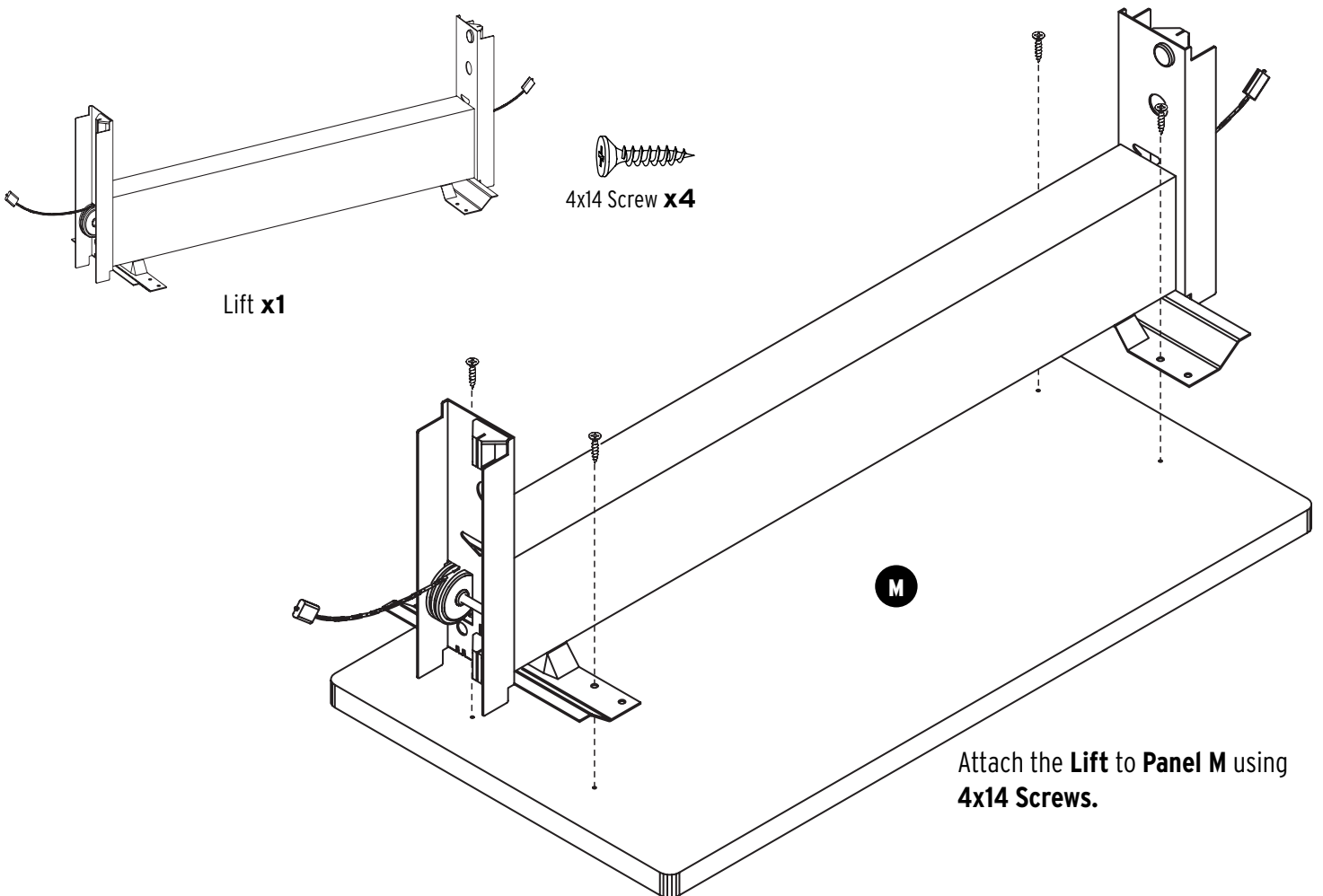
# Step 4: Lift Installation

## LIFT INSTALLATION WARNING:

**DO NOT** remove the small wooden block from the Lift until assembly is complete. If the block is removed or falls out before lift assembly is complete, the cables will retract, making installation more difficult. If the block falls out before complete assembly, Please call Customer Service at 1-800-533-7347, ext. 1 for assistance, or visit [www.arrowsewing.com/assembly](http://www.arrowsewing.com/assembly) and find the "Alternate Airlift Attachment Steps" video.



This illustration shows the back view of the **Lift**. Notice the wooden block and zip tie; the wooden block holds the piston in place so that the cables can be easily handled and inserted into the **Lift Rails** installed on your cabinet.



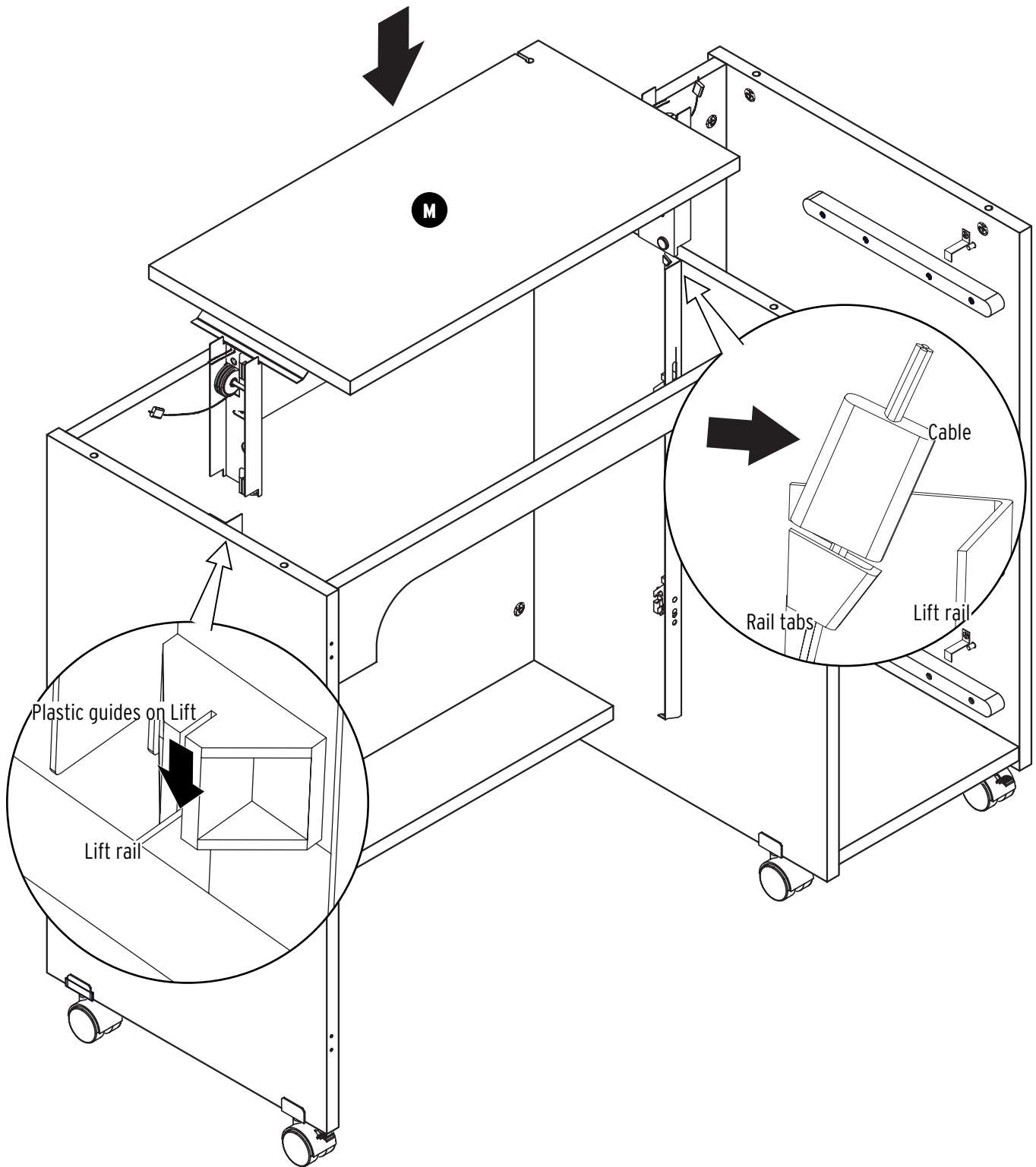
Lift **x1**

4x14 Screw **x4**

**M**

Attach the **Lift** to **Panel M** using **4x14 Screws**.

## Step 4: Lift Installation



Guide **Lift** onto **Lift Rails** using plastic guides. Insert ends of cable into rail tabs; make sure the cable is hooked into the rail tabs on both sides.

Cut the zip tie on the wooden block, but **DO NOT** remove the block yet.

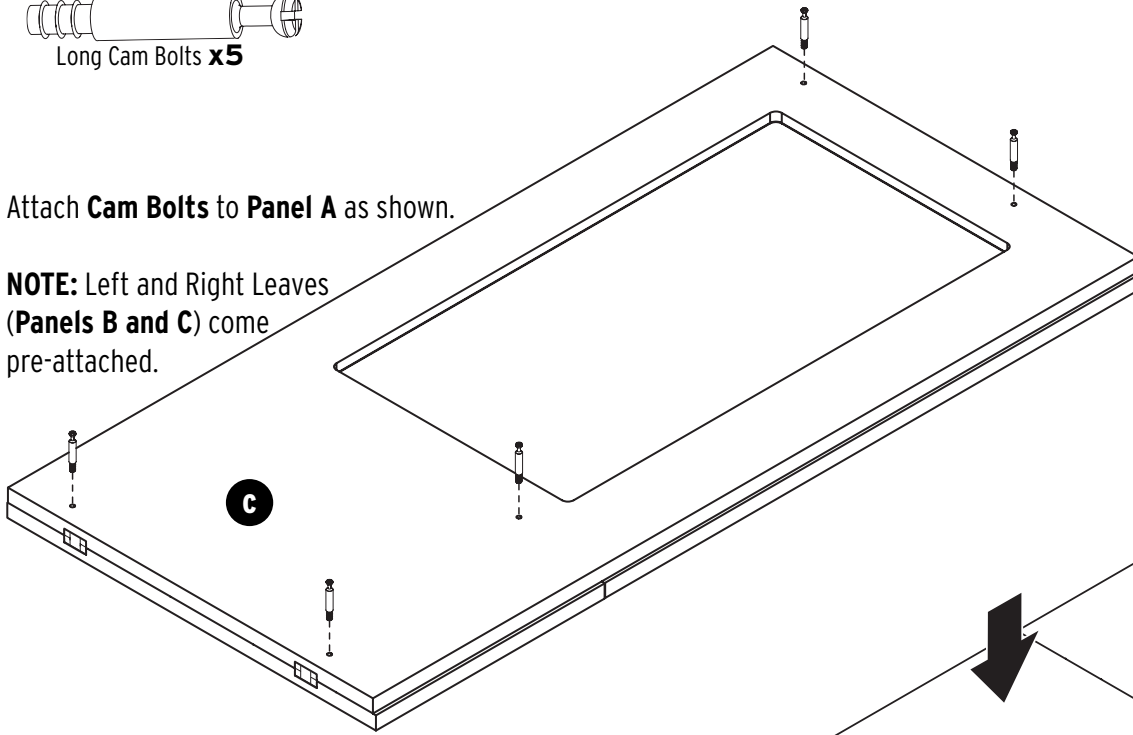
Lower the **Lift** to first lock position and remove the wooden block. **DO NOT ADJUST LIFT POSITION until the top is installed**, or you risk the Lift coming out and cables becoming disengaged.

# Step 5: Top Panel



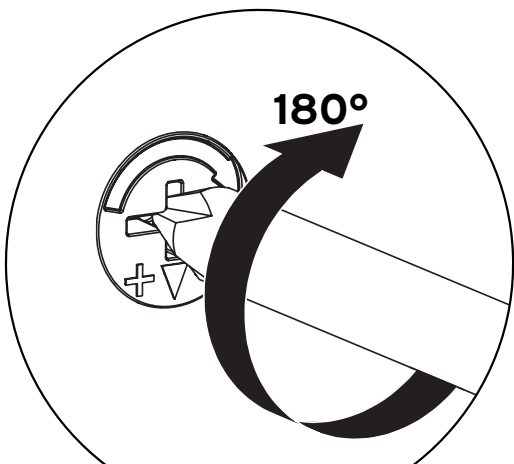
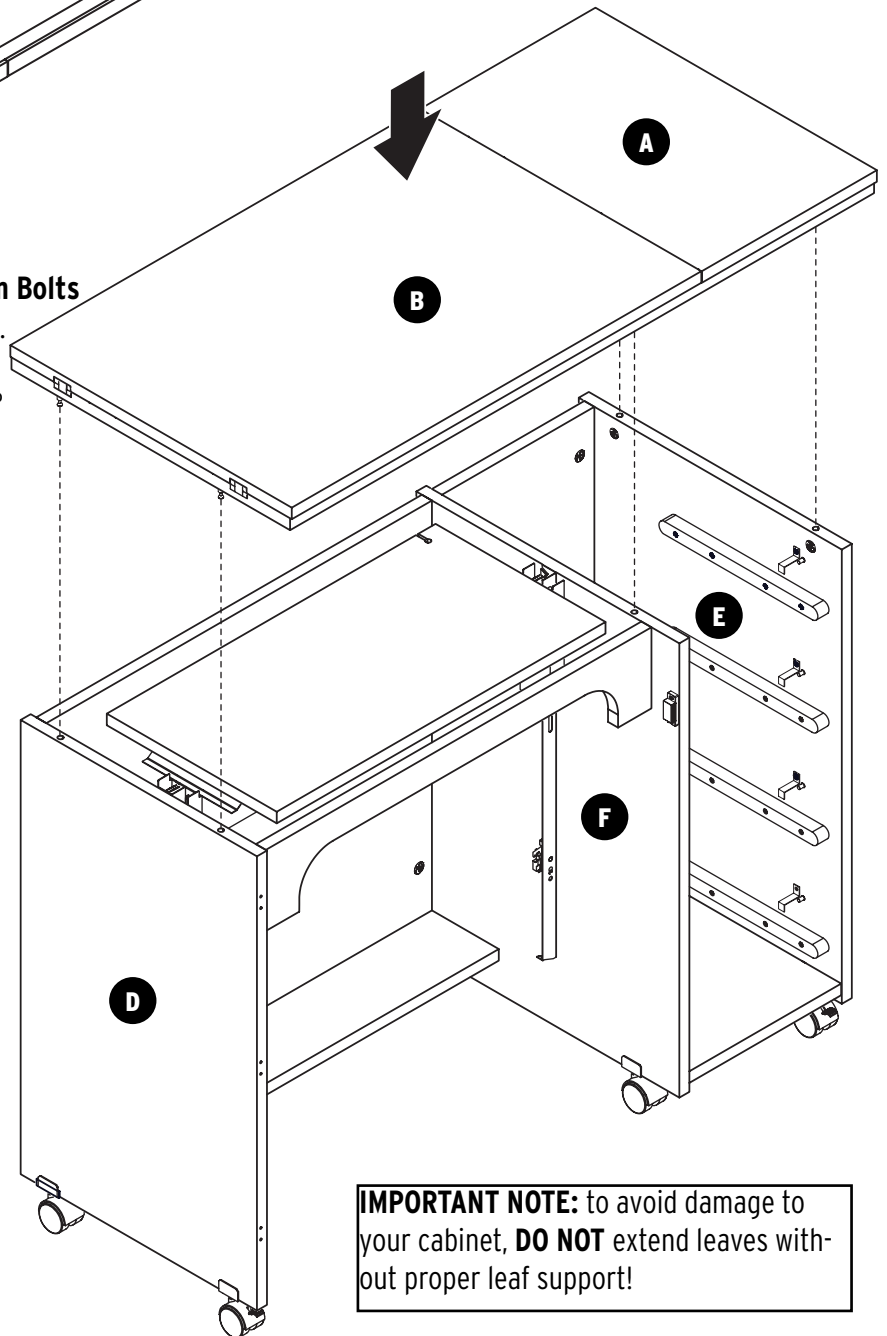
Attach **Cam Bolts** to **Panel A** as shown.

**NOTE:** Left and Right Leaves (**Panels B and C**) come pre-attached.



Carefully lower **Panel A**, inserting **Cam Bolts** into **Cam Locks** on **Panels D, F, and E**.

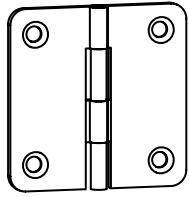
Tighten the Cam Locks by turning **180°** clockwise.



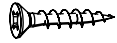
**Remember to tighten the Cam Locks!**

**IMPORTANT NOTE:** to avoid damage to your cabinet, **DO NOT** extend leaves without proper leaf support!

# Step 6: Leaf Support



Support Hinge **x2**

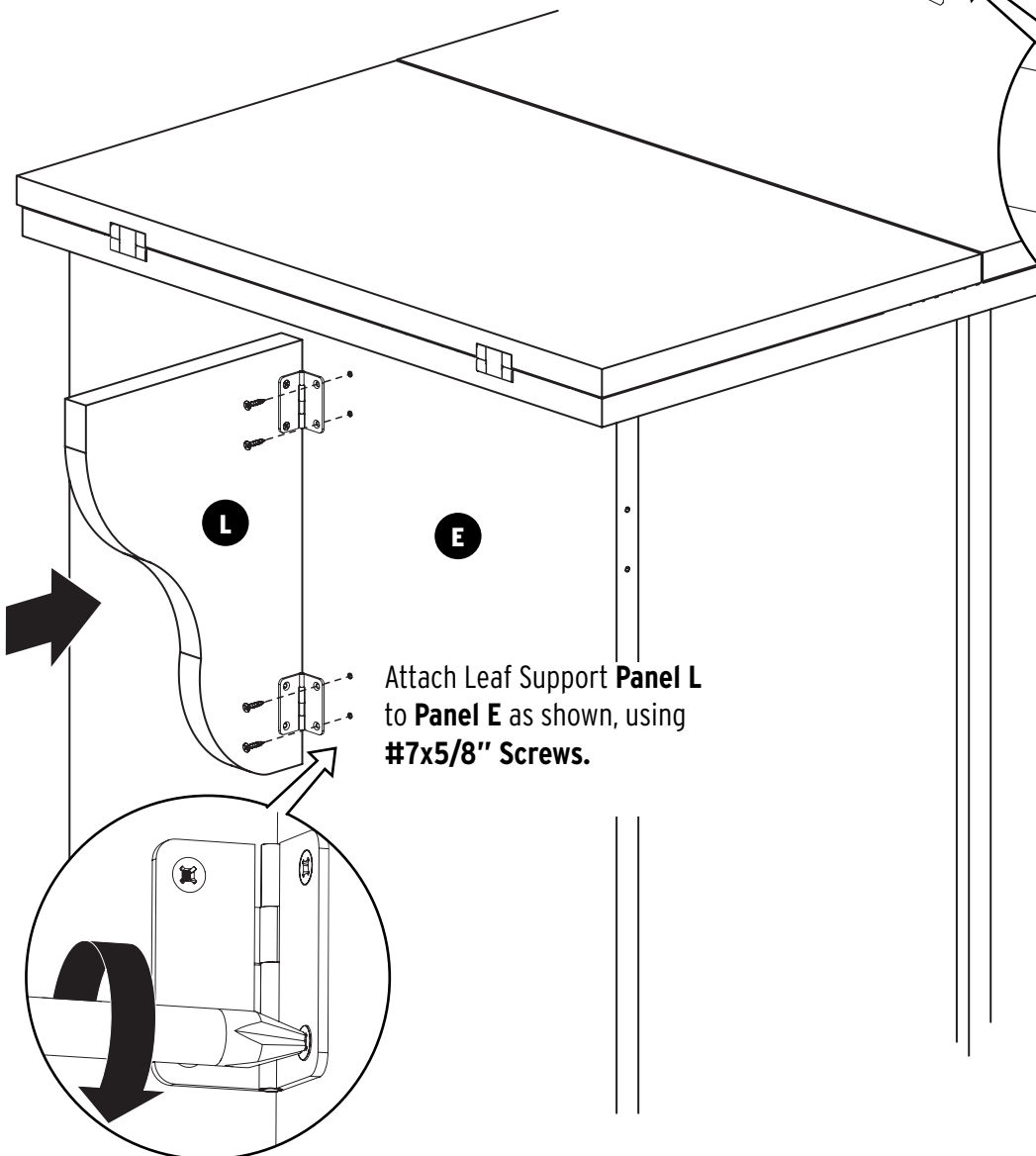
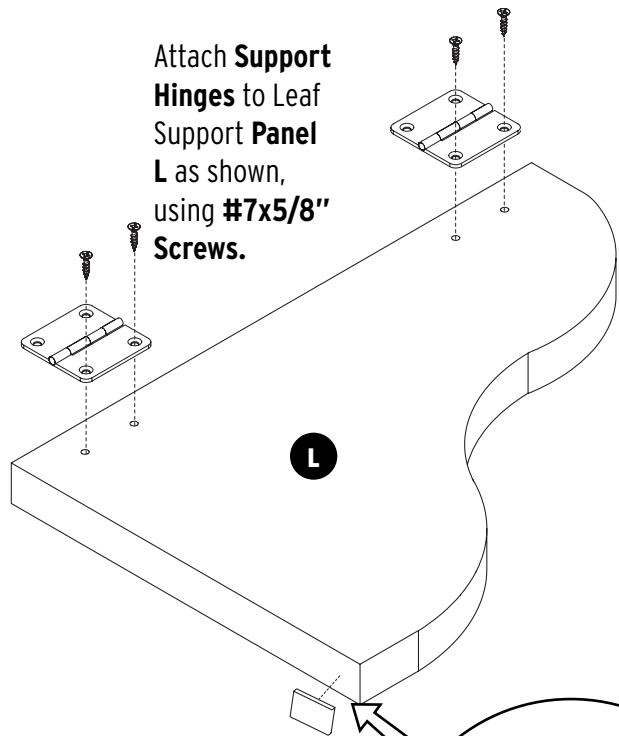


#7x5/8" Flathead  
Screw **x8**



Self-Sticking  
Rubber Tab **x1**

Attach **Support Hinges** to Leaf Support **Panel L** as shown, using **#7x5/8" Screws**.



Attach Leaf Support **Panel L** to **Panel E** as shown, using **#7x5/8" Screws**.

Adhere the **Self-Sticking Rubber Tab** to **Panel L** so that it is off-center on the edge of the panel as shown above.



# Step 7: Door - Door Bin



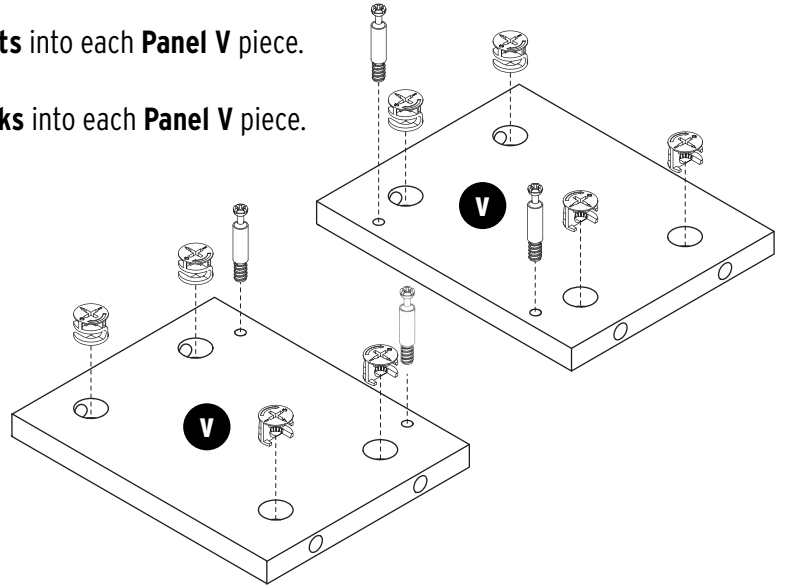
10mm Cam Lock **x14**



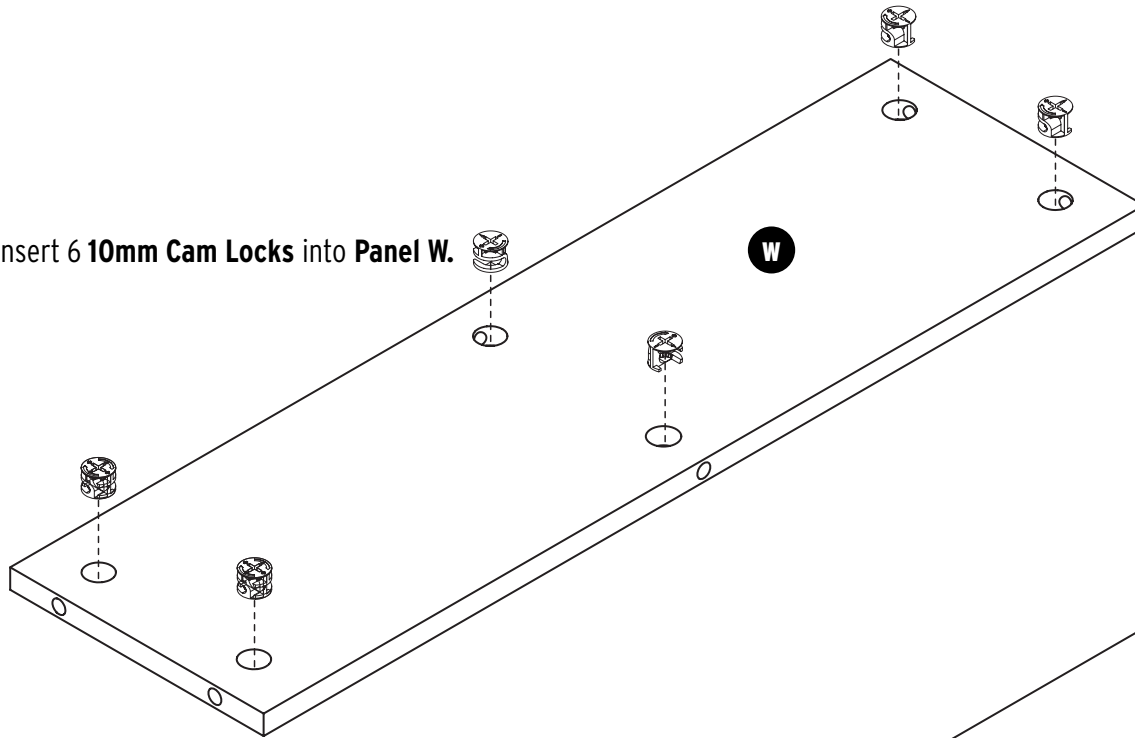
Short Cam Bolt **x9**

Attach 2 **Short Cam Bolts** into each **Panel V** piece.

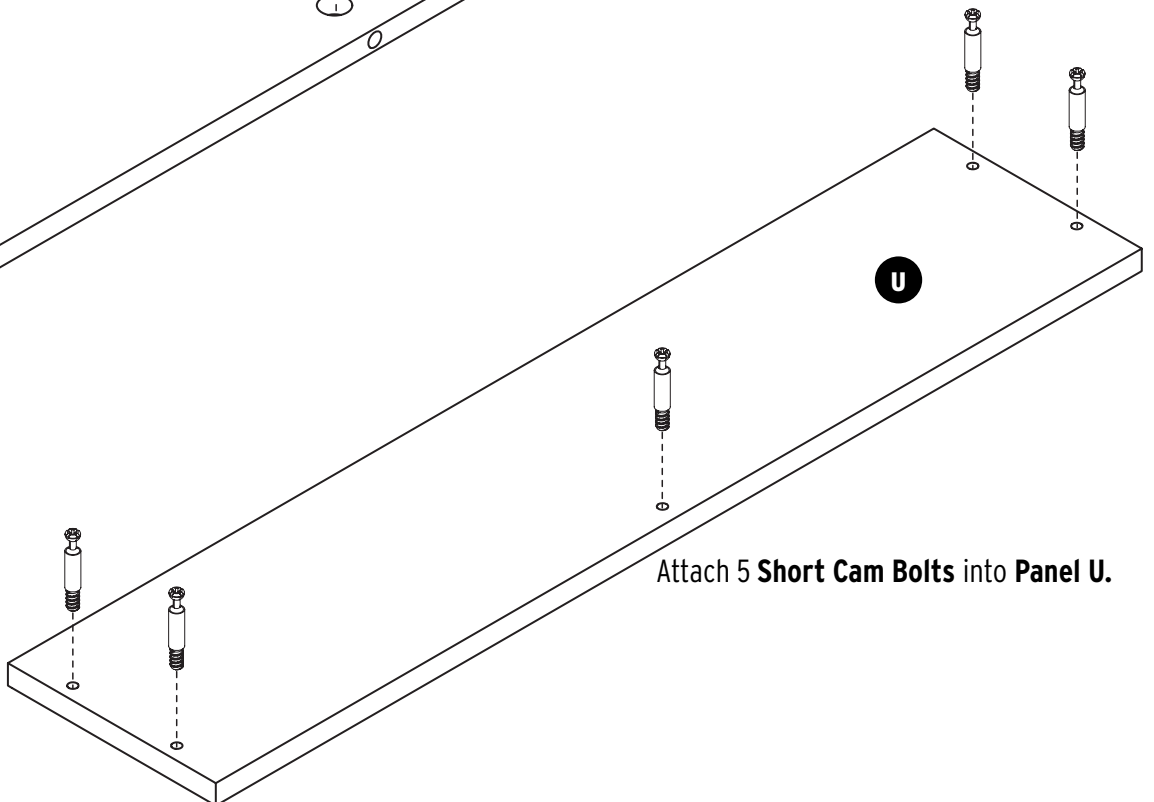
Insert 4 **10mm Cam Locks** into each **Panel V** piece.



Insert 6 **10mm Cam Locks** into **Panel W**.



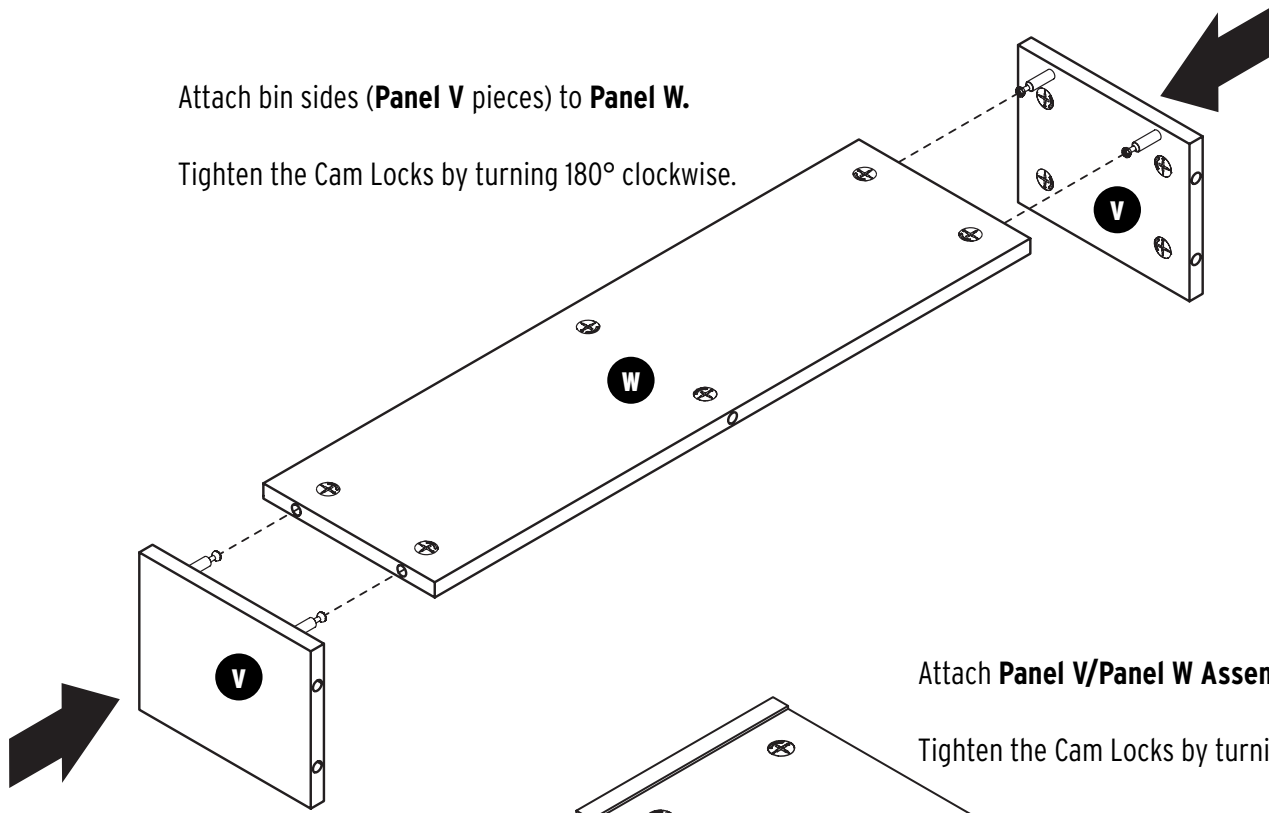
Attach 5 **Short Cam Bolts** into **Panel U**.



# Step 7: Door - Door Bin

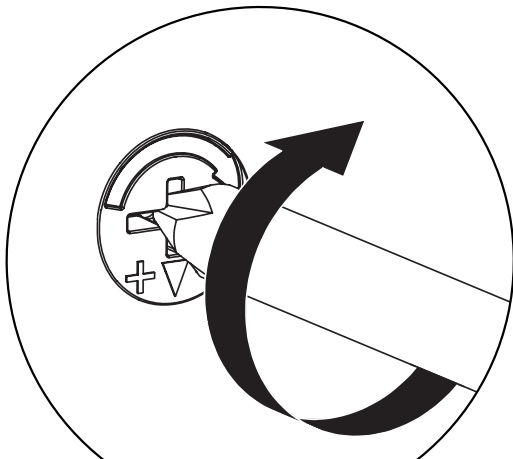
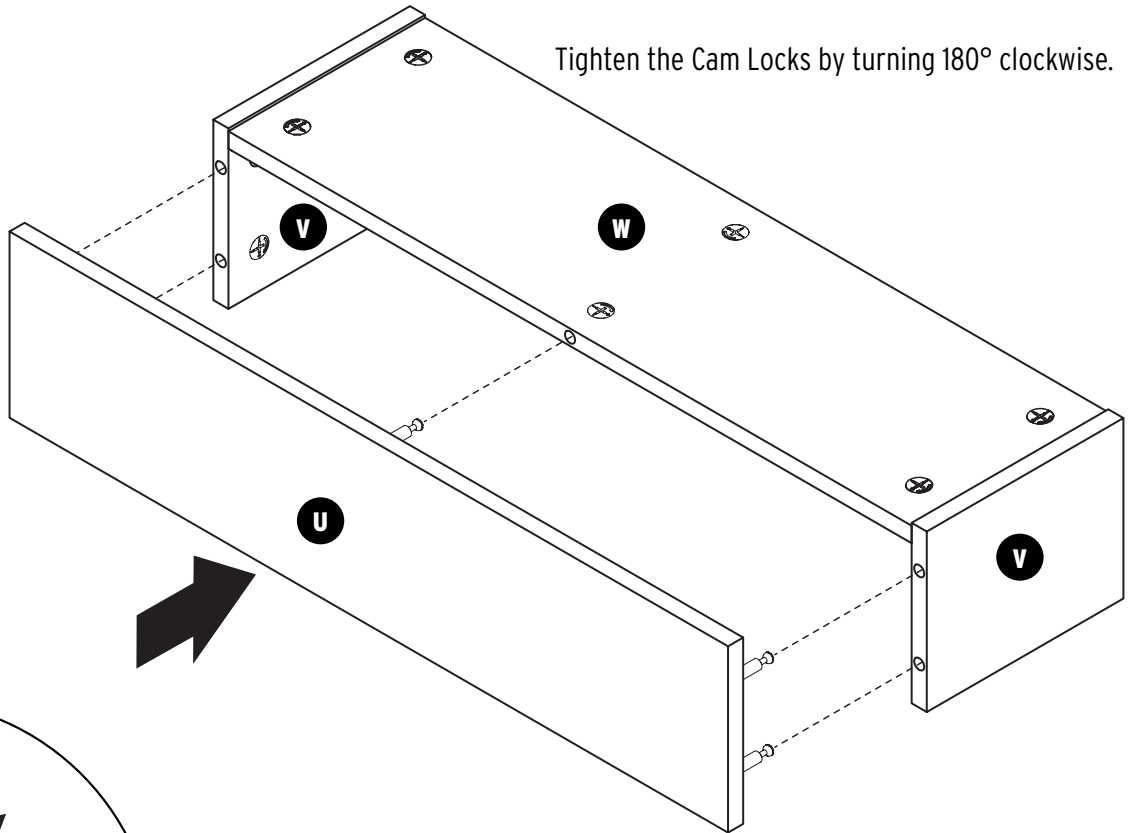
Attach bin sides (**Panel V** pieces) to **Panel W**.

Tighten the Cam Locks by turning 180° clockwise.



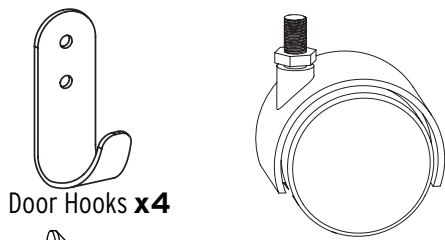
Attach **Panel V/Panel W Assembly** to **Panel U**.

Tighten the Cam Locks by turning 180° clockwise.



**Remember to tighten the Cam Locks!**

# Step 7: Door



Door Hooks **x4**

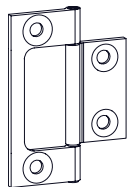
50mm Non-Locking Caster **x1**



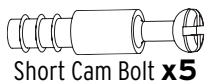
4x14 Screw **x14**



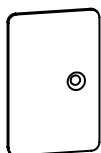
#5x5/8" Flathead Screw **x1**



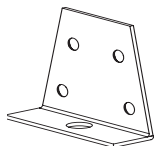
Flush Hinge **x3**



Short Cam Bolt **x5**



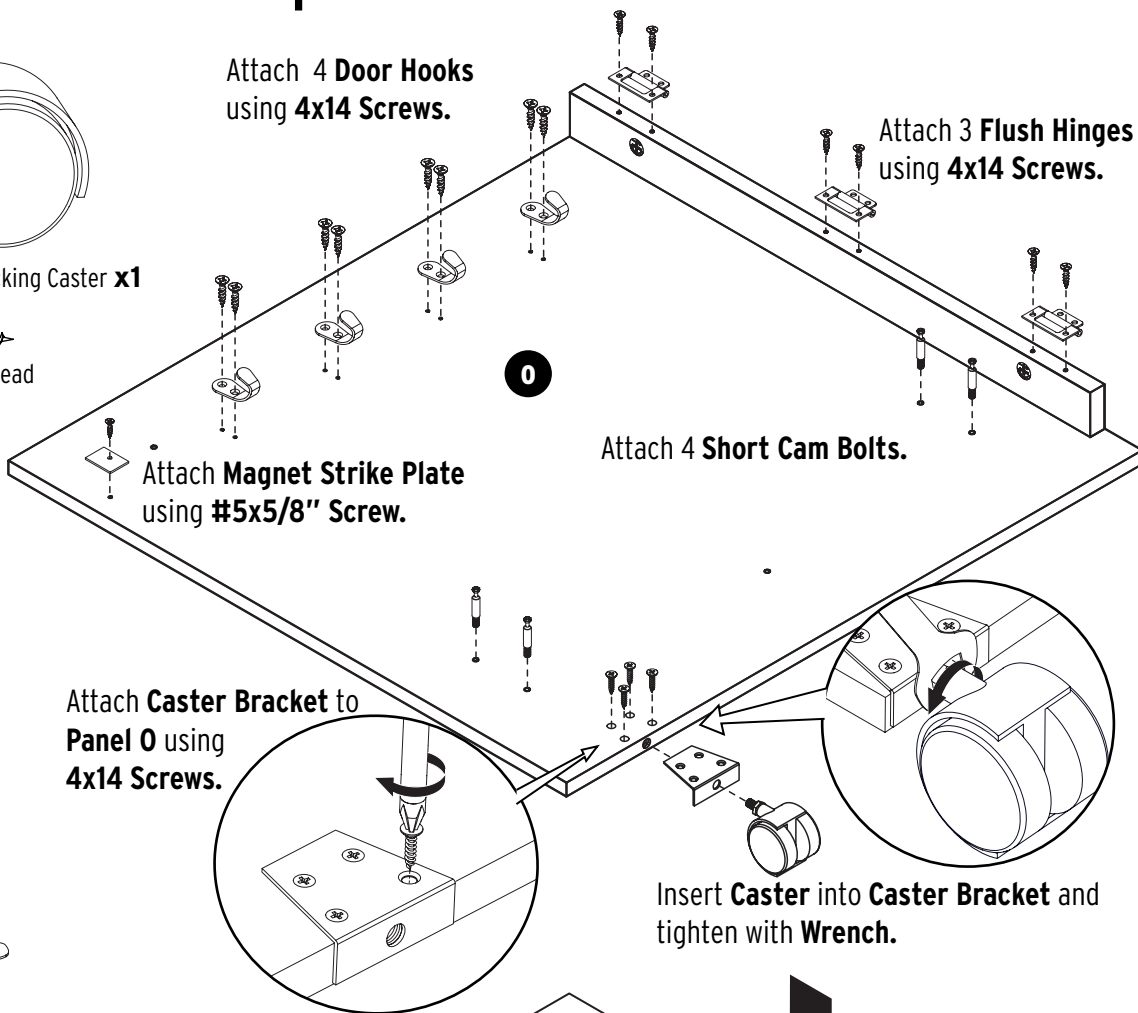
Magnet Strike Plate **x1**



Caster Bracket **x1**

Attach 4 **Door Hooks** using **4x14 Screws**.

Attach 3 **Flush Hinges** using **4x14 Screws**.



Attach **Magnet Strike Plate** using **#5x5/8" Screw**.

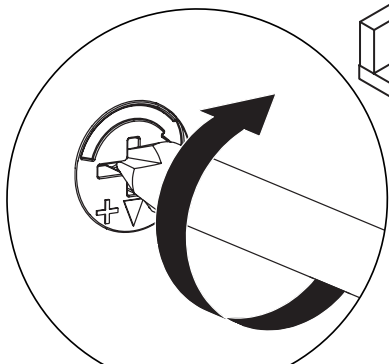
Attach 4 **Short Cam Bolts**.

Attach **Caster Bracket** to **Panel O** using **4x14 Screws**.

Insert **Caster** into **Caster Bracket** and tighten with **Wrench**.

Lower the door bin onto the door, inserting **Cam Bolts** on **Panel O** into **Cam Locks** on **Panels V and W**.

Tighten the Cam Locks by turning **180° clockwise**.



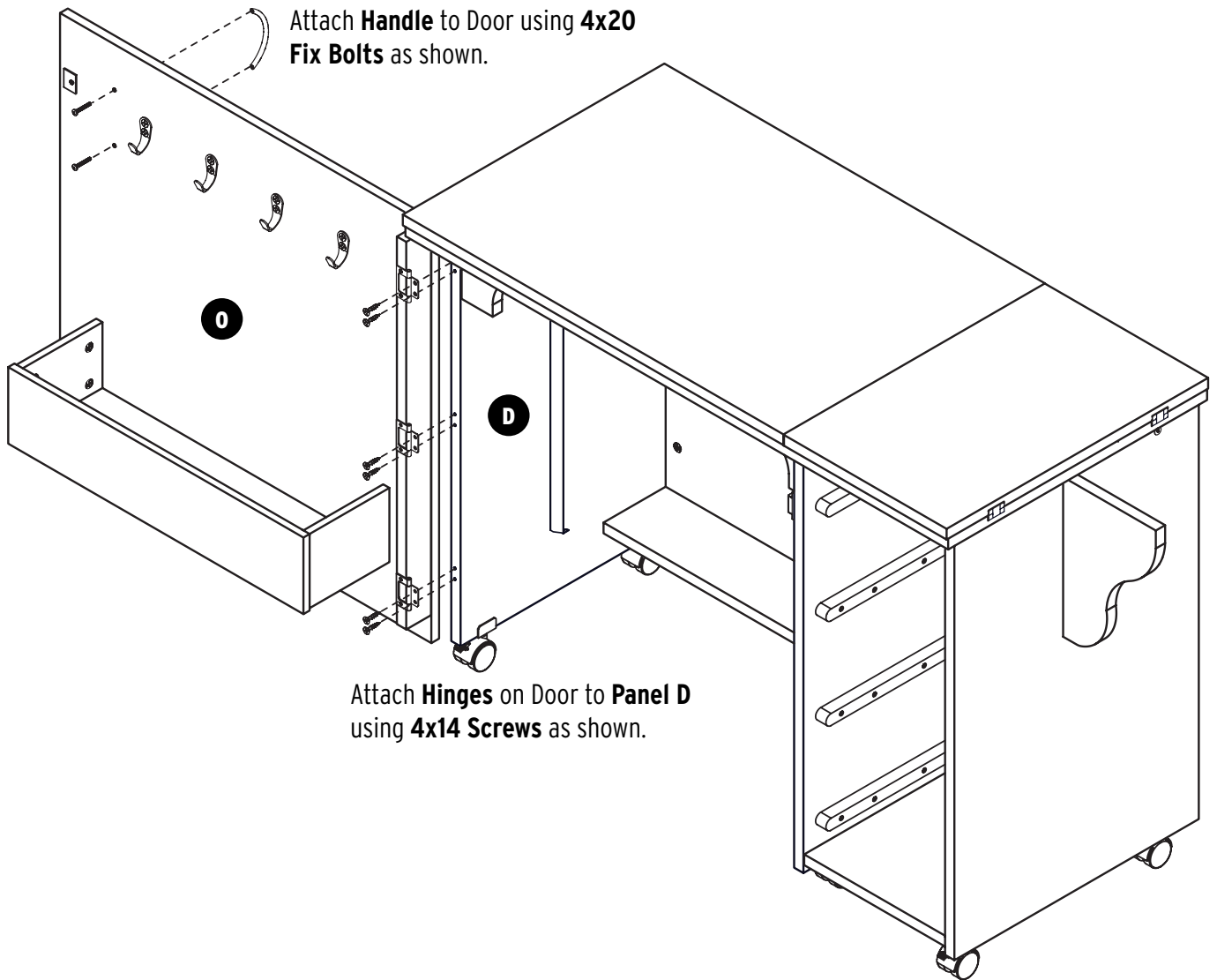
**Remember to tighten the Cam Locks!**

# Step 7: Door

  
4x14 Screw **x6**

  
Handle **x1**


  
4x20 Fix Bolt **x2**



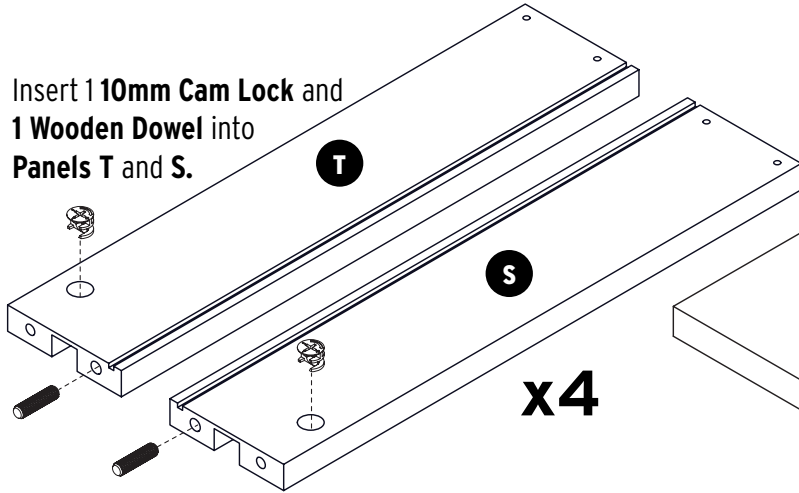
# Step 8: Drawers

 10mm Cam Lock **x8**

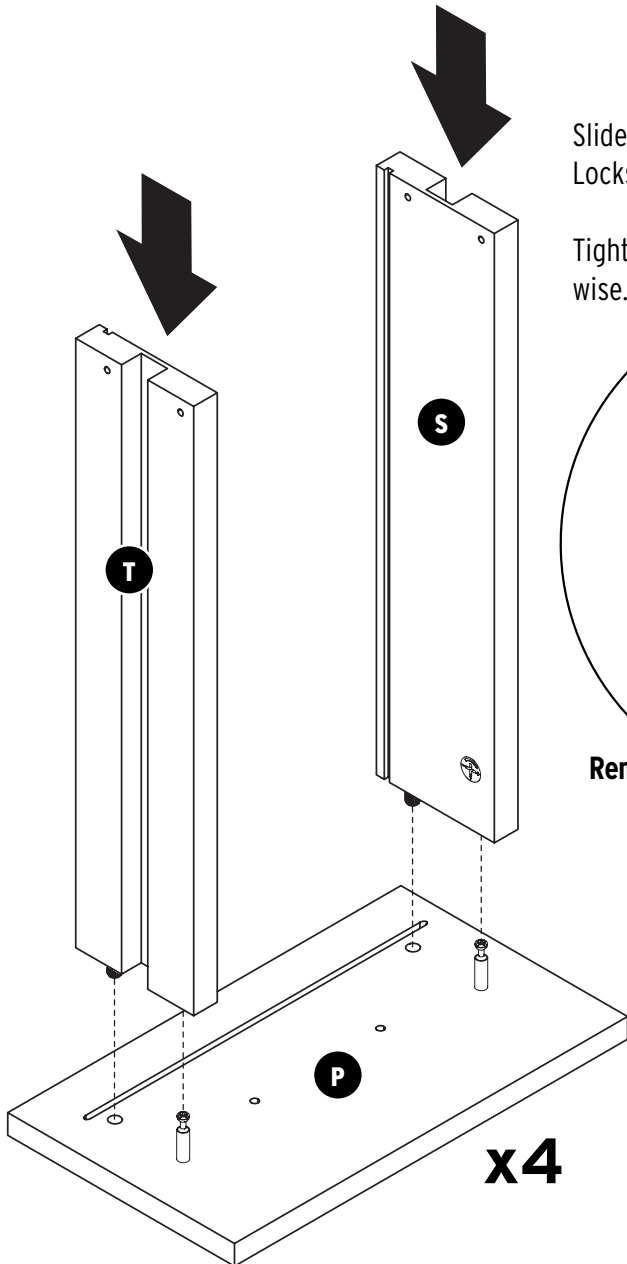
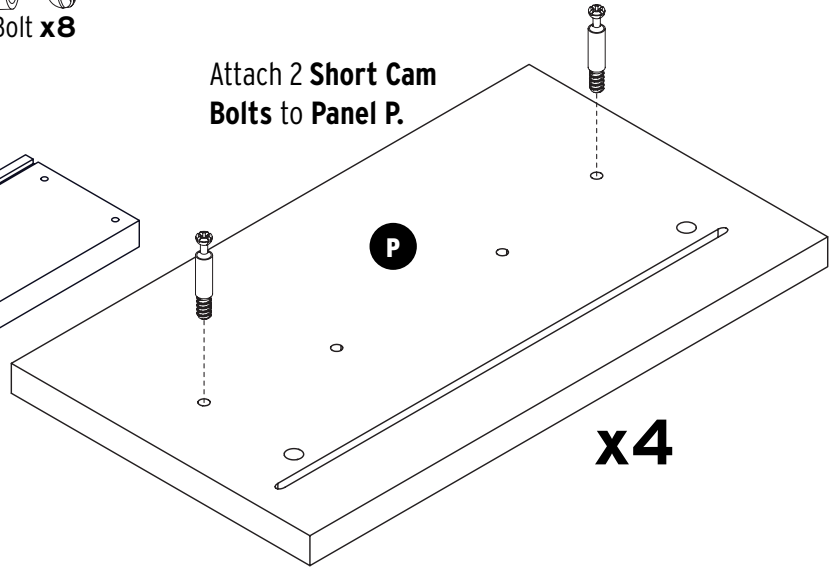
 Wood Dowel **x8**

 Short Cam Bolt **x8**

Insert 1 **10mm Cam Lock** and  
1 **Wooden Dowel** into  
**Panels T and S.**

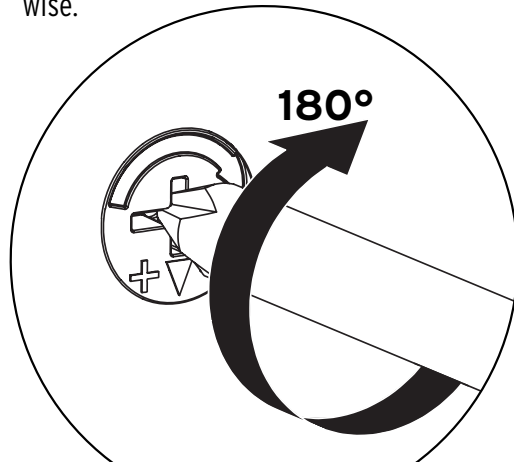


Attach 2 **Short Cam Bolts**  
to **Panel P.**



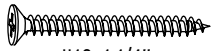
Slide the Cam Bolts on **Panel P** into the Cam  
Locks on **Panels T and S.**

Tighten the Cam Locks by turning **180°** clock-  
wise.



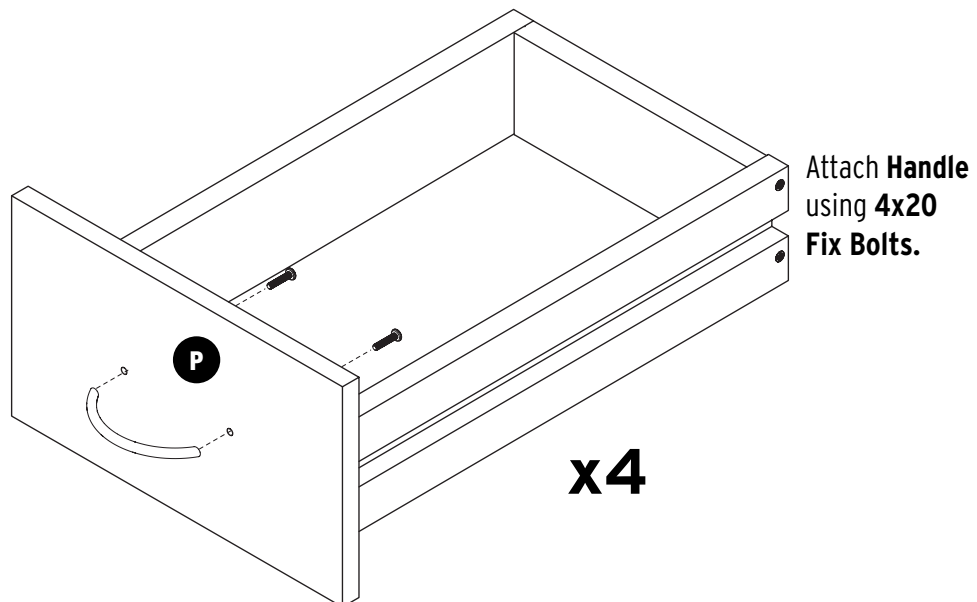
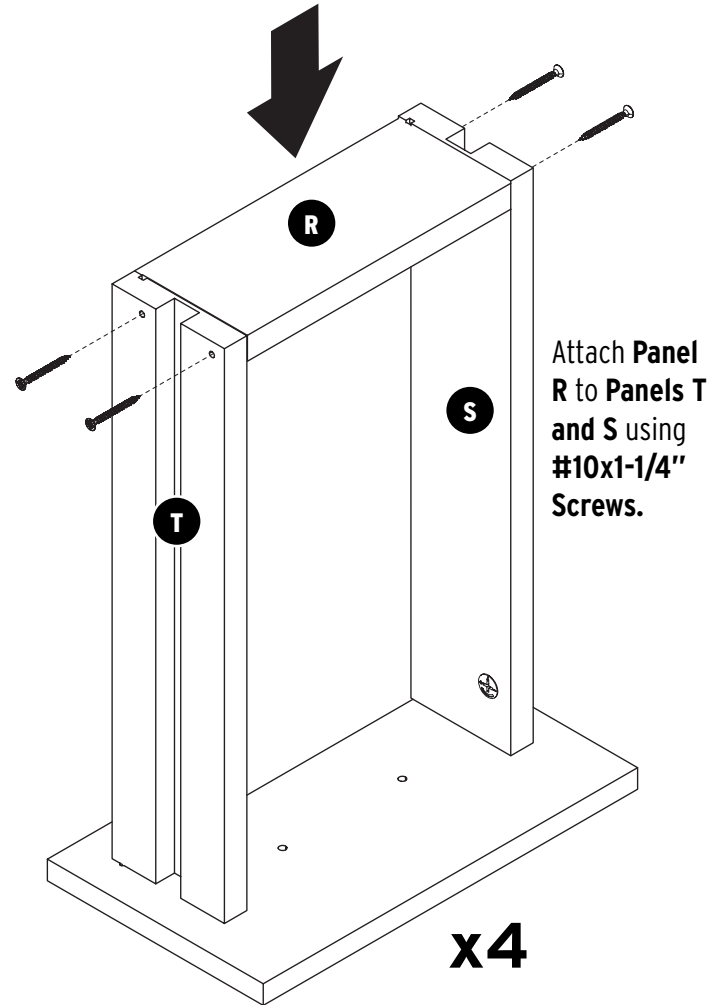
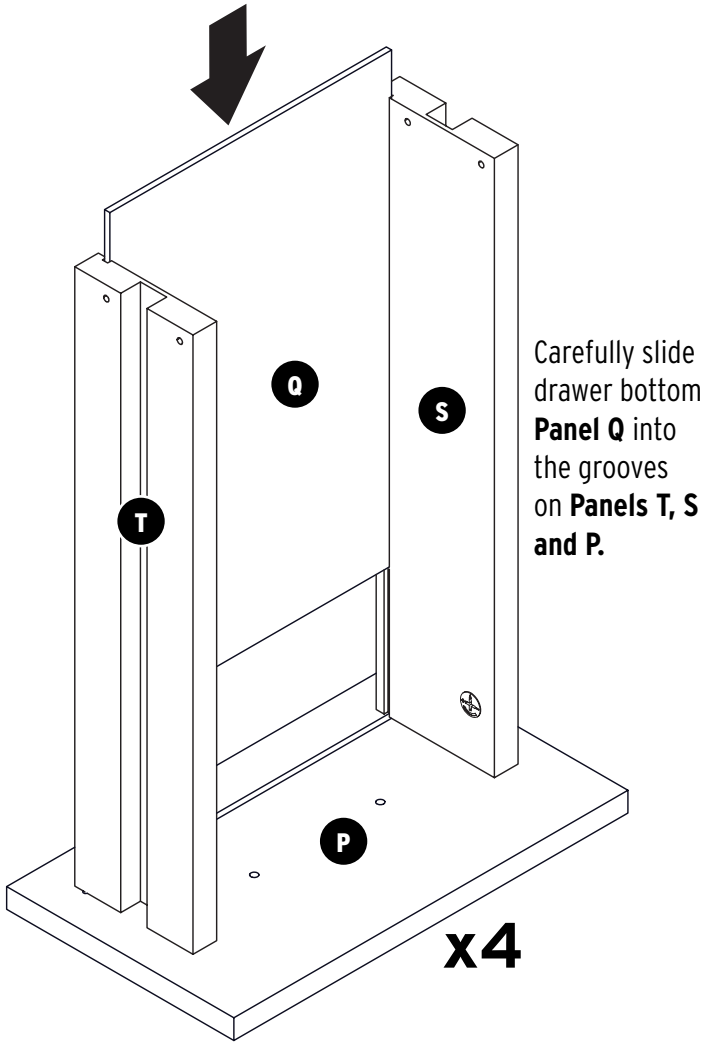
**Remember to tighten the Cam Locks!**

# Step 8: Drawers

  
#10x1-1/4"  
Flathead Screw **x16**

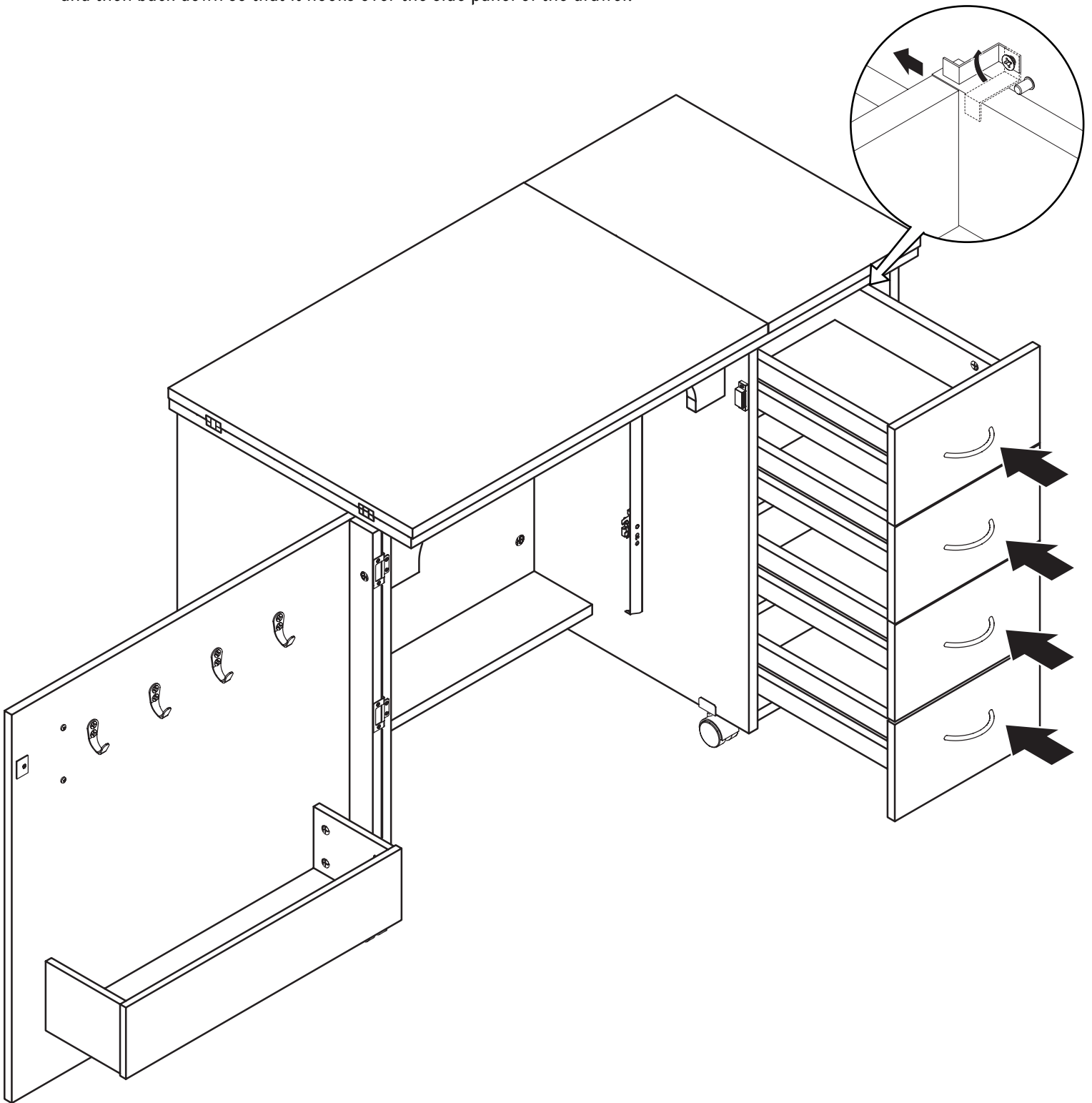
  
Handle **x4**

  
4x20 Fix Bolt **x8**



# Step 8: Drawers

Slide drawers into the cabinet. As you install each drawer, swivel the drawer stop up as shown in the inset picture, and then back down so that it hooks over the side panel of the drawer.



**Congratulations! A better sewing experience awaits!**



# LIMITED WARRANTY

## Arrow Classic Sewing Furniture 10-Year Warranty

**WHAT THIS WARRANTY COVERS:** Arrow Companies, LLC (Arrow) provides limited warranty coverage to the original purchaser of this product against defects in materials or workmanship of Arrow furniture components for a period of ten years from the date of purchase. As used in this Warranty, "defect" means imperfections in components which substantially impair the utility of the product. This Warranty gives you specific legal rights, and you may also have other rights which vary from state to state.

**HOW TO GET SERVICE:** Simply contact Arrow at 1-800-533-7347 or CS@ArrowSewing.com. When you request warranty service, you must also present proof of purchase documentation, which includes the date of purchase (detailed receipt), and photos of the product. Arrow will replace any defective part (at its sole option), excluding labor. Replacement parts will be warranted for only the remaining period of the original Warranty.

Replacement parts will be shipped freight prepaid on any initial warranty claim during first year of Warranty only. Warranty applies only to defects confirmed by Arrow Companies, LLC and will be replaced or repaired at Arrow's option. In the event parts are no longer available for a warranty claim, customer may receive brand new cabinet at a price equal to 60% off the MSRP of a current comparable model.

**WHAT'S NOT COVERED:** There is no Warranty coverage for defects or conditions that result from the following: Failure to follow product assembly instructions, information or warnings; misuse or abuse; intentional damage; fire, flood, alteration or modification of the product; use of the product in a manner inconsistent with its intended use; any condition resulting from incorrect or inadequate maintenance, cleaning, care or neglect; cuts or scratches; caster damage as a result of moving furniture fully loaded or with locked casters; damage resulting from electrical surge or lightning; or use in commercial or education environments. Arrow Sewing Furniture is designed for residential use only.

ARROW SHALL HAVE NO LIABILITY for ANY INCIDENTAL OR CONSEQUENTIAL DAMAGES OF ANY KIND and all such damages are EXCLUDED FROM THIS WARRANTY, such as loss of use, disassembly, transportation, labor or damage to property on or near the product. Some states do not allow the exclusion or limitation of incidental or consequential damages, so the above limitation or exclusion may not apply to you. The Warranty cannot be transferred to subsequent owners or users of the product, and it shall be immediately void in the event the product is resold, transferred, leased or rented to any third party or person other than the original purchaser.

**ADDITIONAL LIMITATIONS:** THERE ARE NO OTHER WARRANTIES APPLICABLE TO THIS PRODUCT. Under the laws of certain states, there may be no implied warranties from Arrow and all implied warranties, INCLUDING ANY IMPLIED WARRANTY OF MERCHANTABILITY OR FITNESS FOR A PARTICULAR PURPOSE are disclaimed where allowed by law. TO THE EXTENT ANY IMPLIED WARRANTIES ARE APPLICABLE, ANY IMPLIED WARRANTIES, INCLUDING ANY IMPLIED WARRANTY OF MERCHANTABILITY OR FITNESS FOR A PARTICULAR PURPOSE, ARE LIMITED IN DURATION TO THE DURATION OF THIS EXPRESS WARRANTY or the minimum period allowed by law, whichever is shorter. Some states do not allow limitations on how long an implied Warranty lasts, so the above limitation may not apply to you. This limited warranty gives you specific legal rights. This limited warranty does not, in any way, affect the rights given to you by law.

**REGISTER YOUR PRODUCT:** Original purchaser should register the purchase online at [www.ArrowSewing.com/warranty](http://www.ArrowSewing.com/warranty).

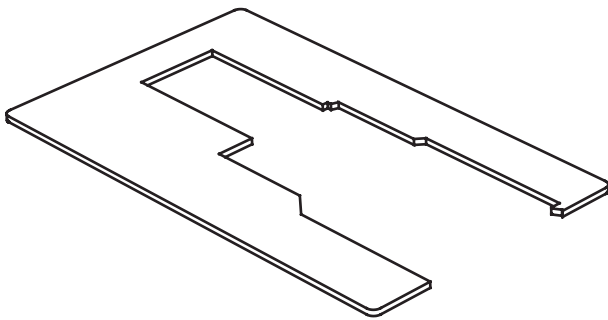


# COMPLETE YOUR SEWING STUDIO!

Elevate your sewing experience with Arrow's Best-Selling Accessories!

## Custom Sewing Inserts

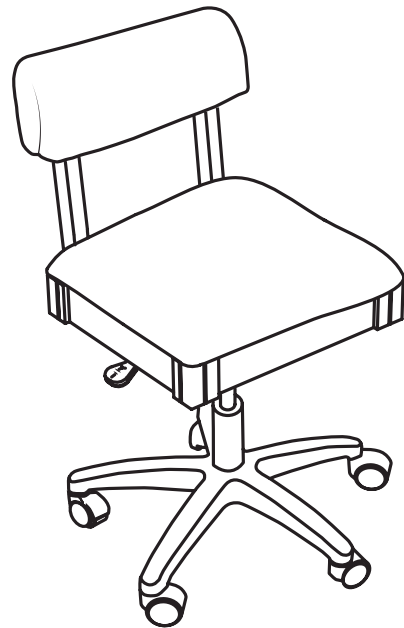
Enhance your sewing experience with a custom acrylic sewing insert! Custom acrylic sewing inserts are designed to fill the gap between your sewing machine and sewing cabinet's lift opening to create a flush, ergonomic surface for flat bed sewing. To ensure a perfect fit, custom acrylic sewing inserts are built specifically for your sewing machine and sewing cabinet combination. Say hello to happy wrists, straighter stitches, and an elevated sewing experience!



Custom Sewing Insert

## Sewing Chairs

Arrow's #1 Rated Height Adjustable Sewing Chair is a must have accessory for your dream sewing room! Cute, comfortable and convenient - our lovable sewing chairs feature vibrant sewing themed patterns, 360° swivel access and lumbar support for long hours at your workstation. Don't look now, but under every seat cushion is a hidden storage compartment to store your notions and patterns! Available in 10 colors to perfectly match your sewing sanctuary!



Height Adjustable Sewing Chair