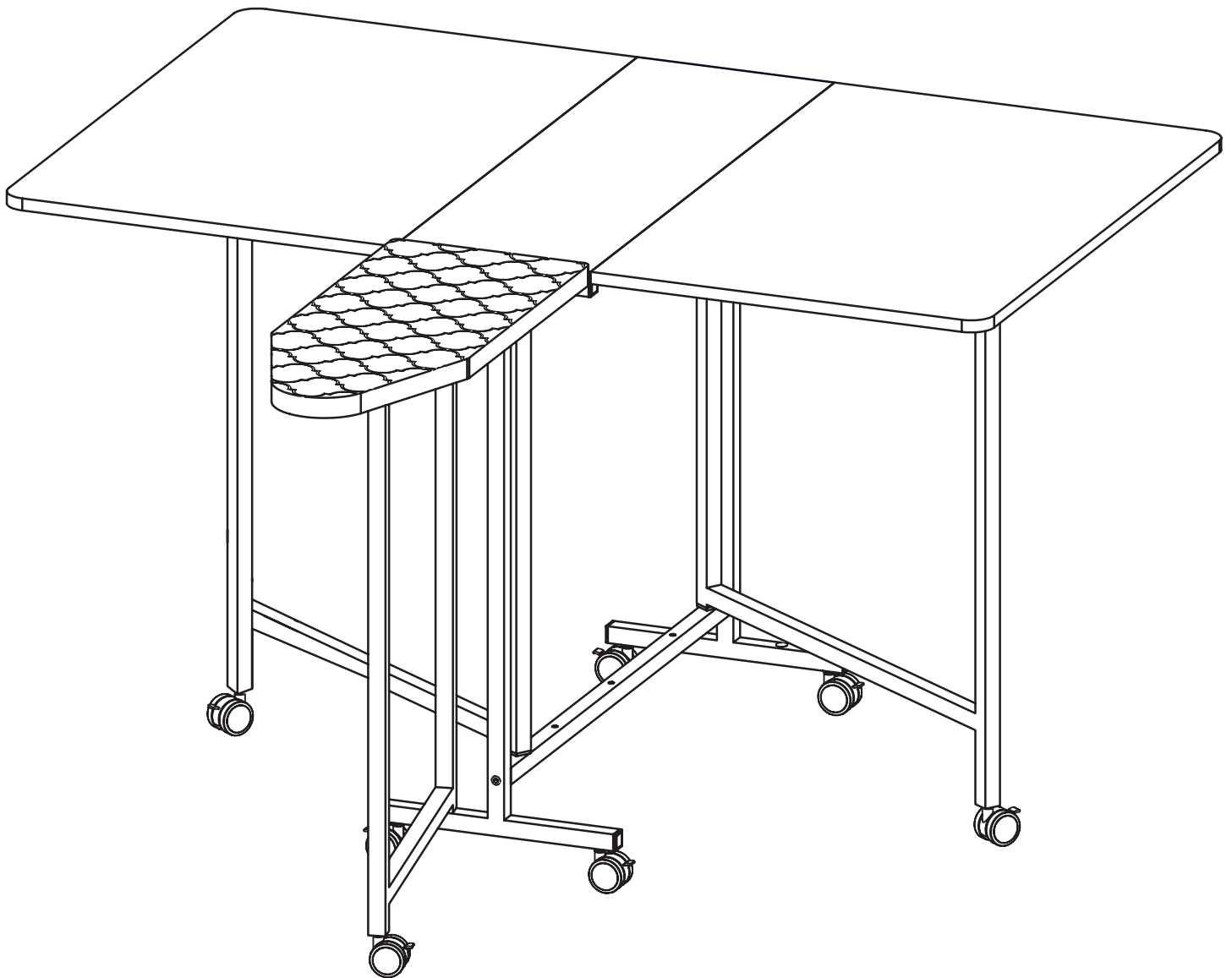


ASSEMBLY INSTRUCTIONS

# Millie Cutting Table

ITEM NO.: 3311 White



# General Assembly Guidelines

1. Read the instructions carefully before beginning the assembly process to ensure proper assembly of this product. Please open and inspect the contents of box(es) to see that all parts and hardware are included.

## 2. Tools Required:



Phillips Screwdriver

or



Electric Screwdriver   
Torque set to 3-5

## Use and Care

Your cabinet normally requires a minimum amount of maintenance; however, it is worth noting the following for regular cleaning:

To remove marks and enhance the surface, wipe with a gentle all-purpose cleanser. DO NOT use ammonia-based, harsh chemicals or abrasive cleaning agents. Wipe dry immediately.

## Parts List: Hardware



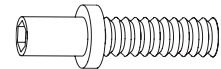
**b2** 6x32 Bolt **x6**



**b4** 8x50 Bolt **x6**



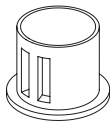
**b5** 4x8 Bolt **x3**



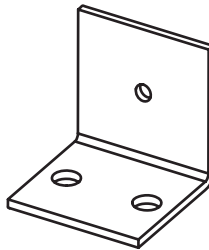
**b3** 8x40 Bolt **x4**



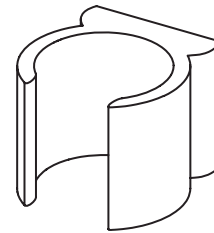
**s1** 4x16 Screw **x54**



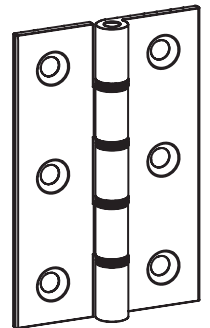
**c** Plastic Cap **x1**



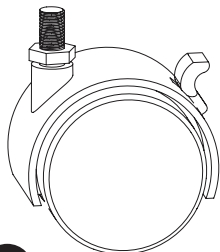
**b** Bracket **x3**



**p** Plastic Support Tube **x3**



**h1** Hinge **x8**



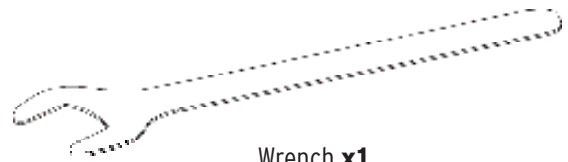
**t1** Caster **x7**



**r2** 5mm Allen wrench **x1**

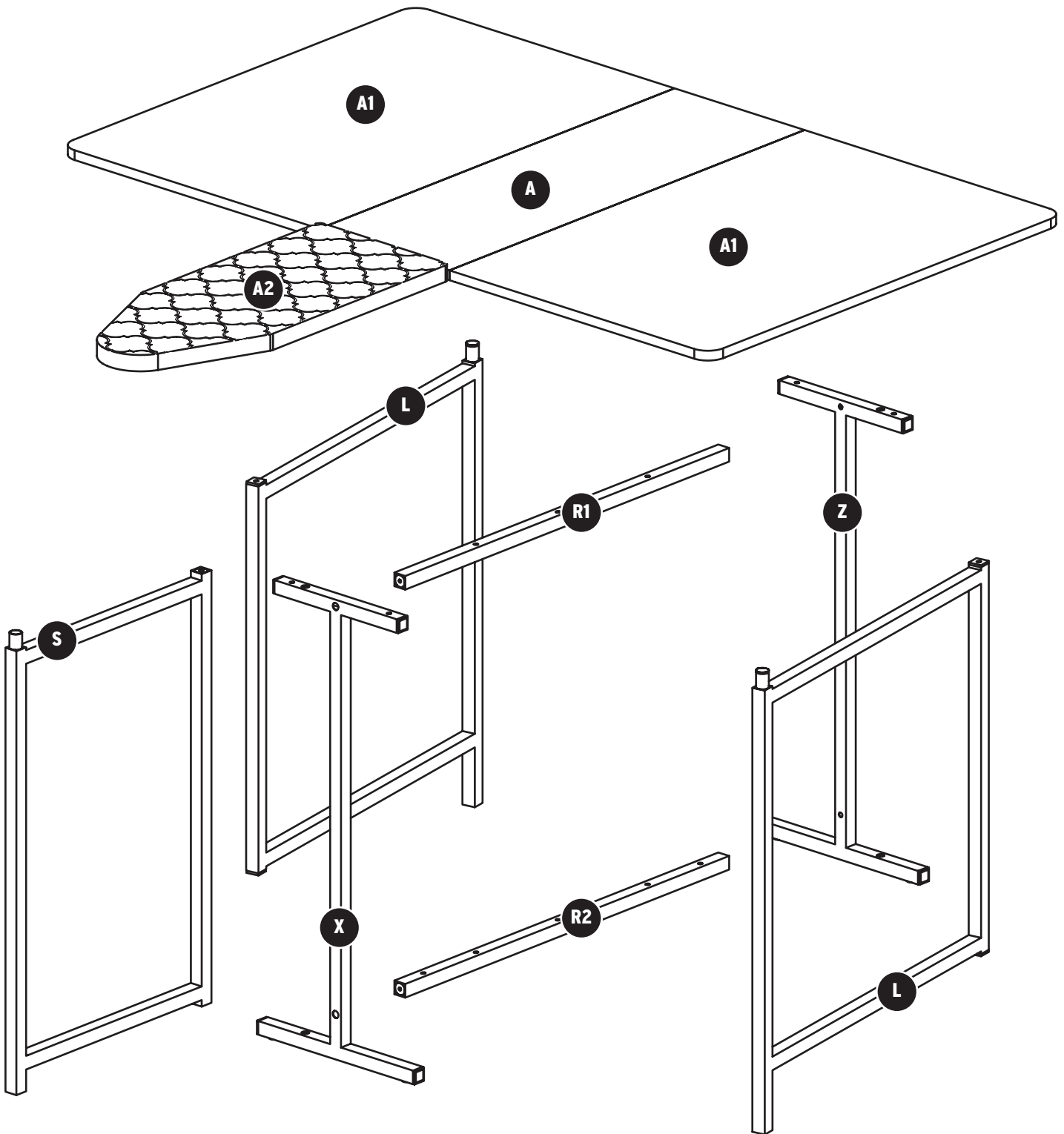


**r1** 4mm Allen wrench **x1**



Wrench **x1**

# Parts List: Hardware

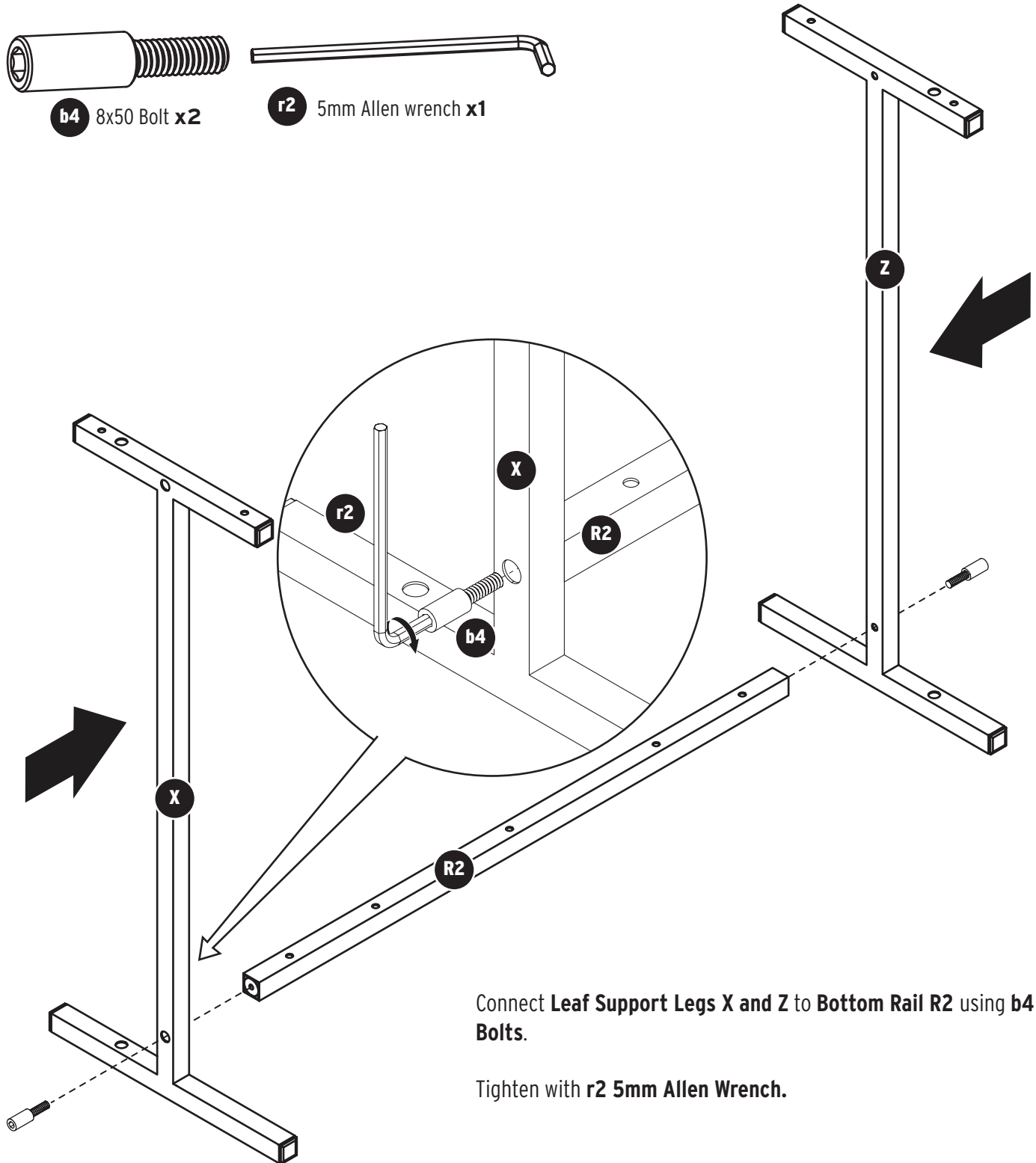


ITEM	DESCRIPTION	QTY.
A	Top Panel	1
A1	Top Leaf	2
A2	Ironing Board	1
X	Left Support Leg	1
Z	Right Support Leg	1

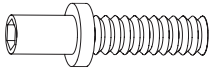
ITEM	DESCRIPTION	QTY.
L	Leaf Support Leg	2
S	Ironing Board Support Leg	1
R1	Top Rail	1
R2	Bottom Rail	1

# Part 1: Base

Congratulations and welcome to Arrow Sewing Furniture! We can't wait to get your brand new Millie Cutting Table up and running. Please contact our Customer Service Team at 1-800-533-7347 ext. 1 during normal business hours with any assembly related questions.



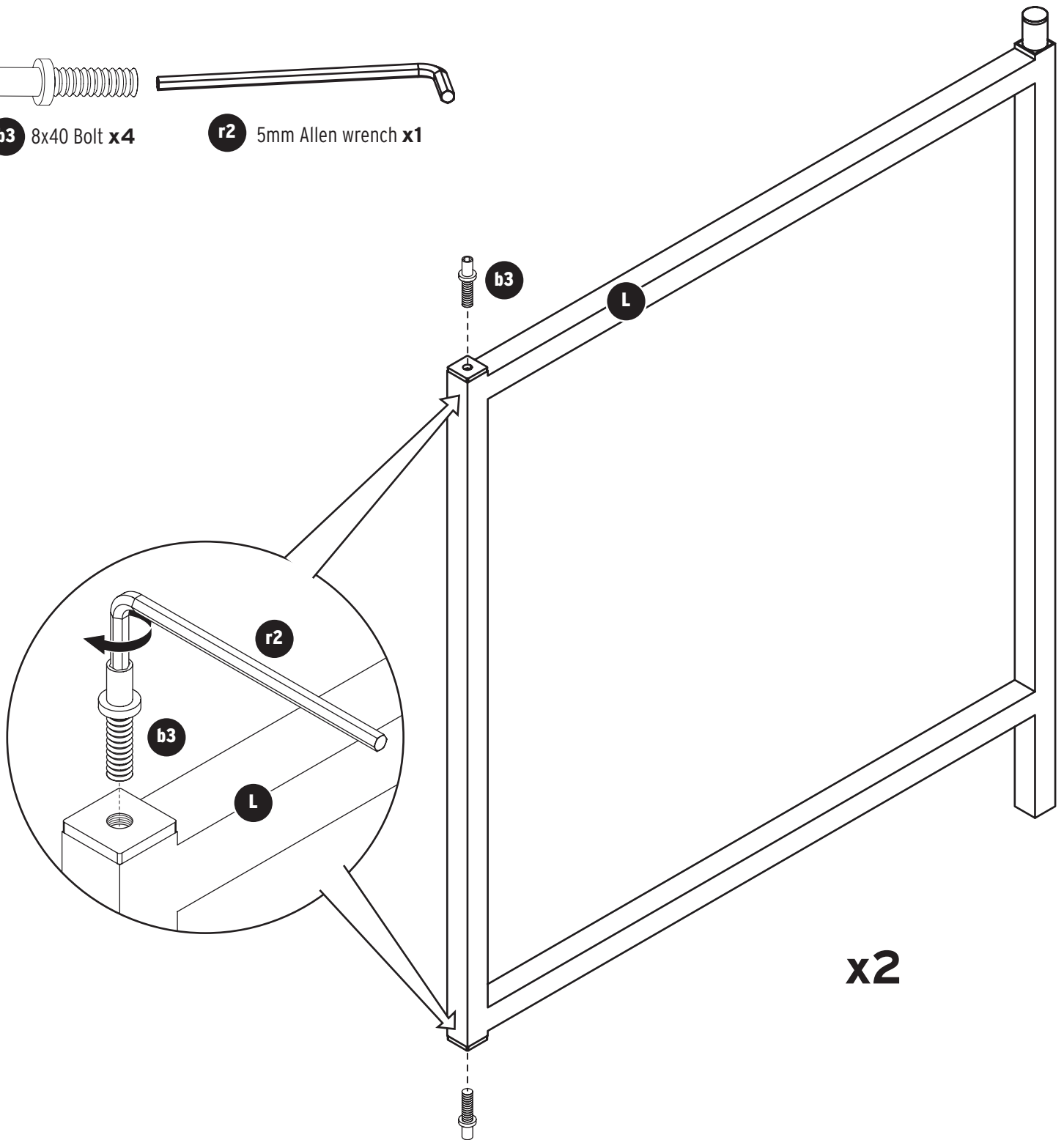
# Part 1: Base



**b3** 8x40 Bolt **x4**



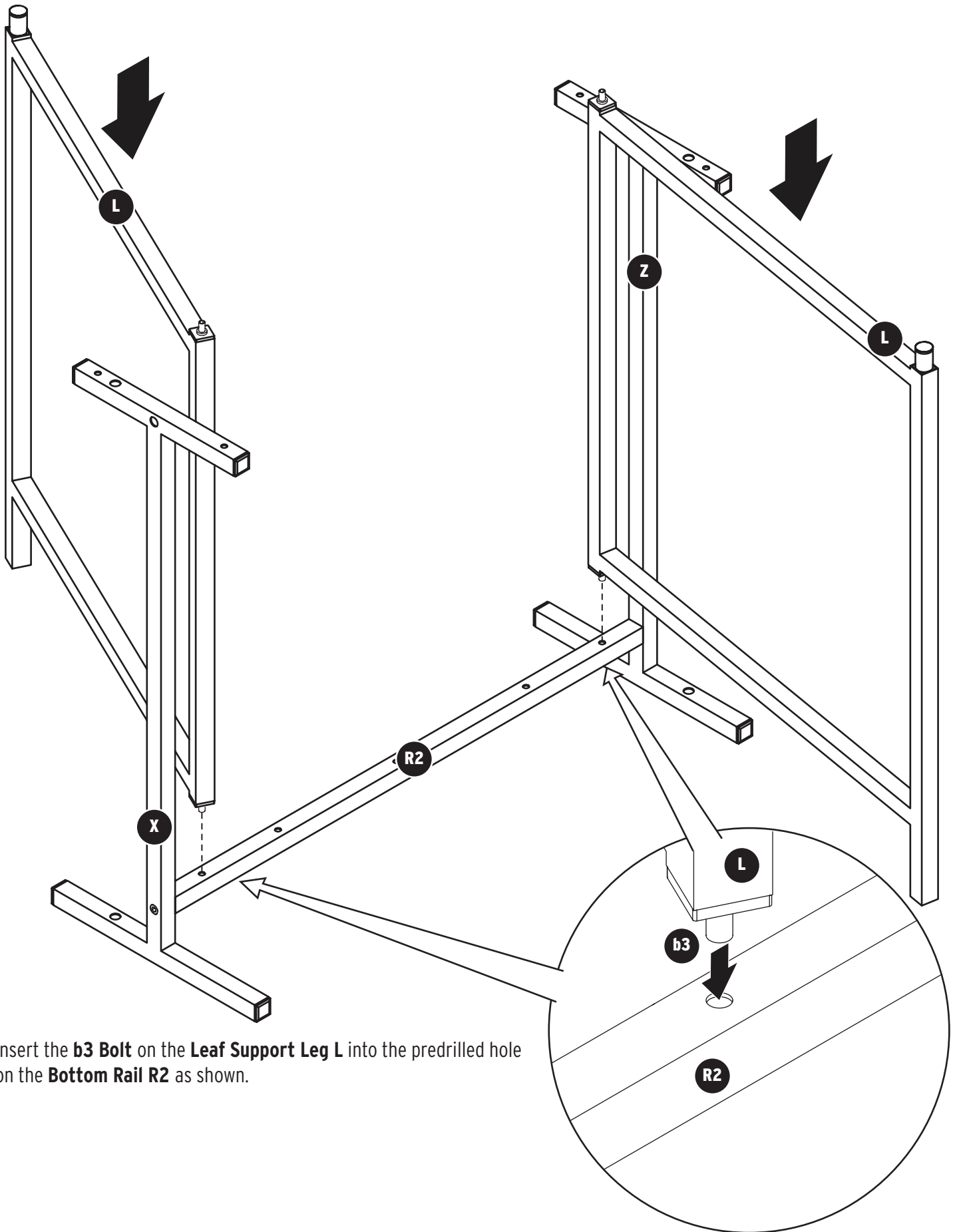
**r2** 5mm Allen wrench **x1**



Attach **b3 Bolts** to **Leaf Support Leg L**, tightening with **r2 Allen Wrench** as shown.

Repeat with the other **Leaf Support Leg**.

# Part 1: Base



Insert the **b3 Bolt** on the **Leaf Support Leg L** into the predrilled hole on the **Bottom Rail R2** as shown.

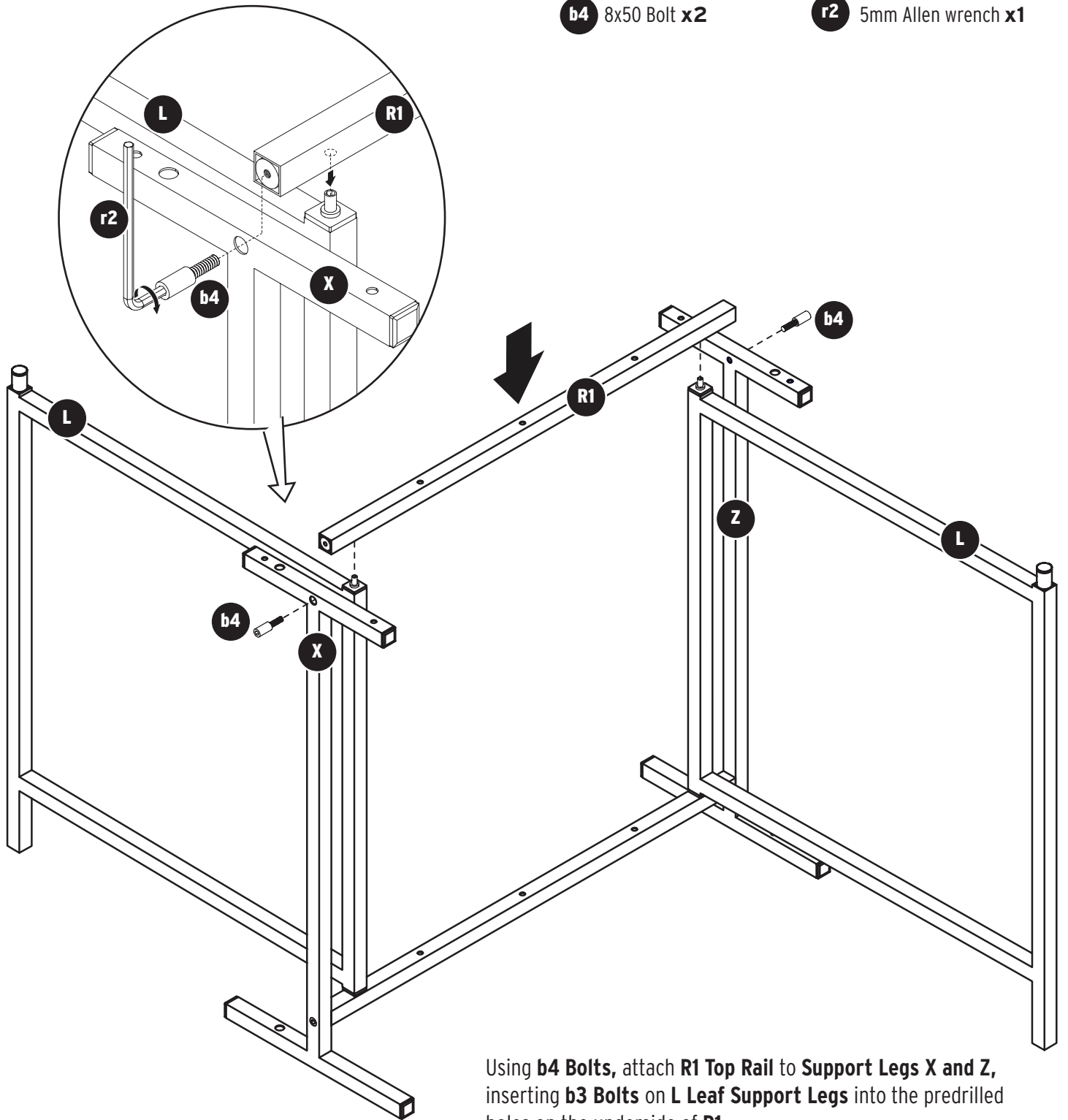
# Part 1: Base



**b4** 8x50 Bolt **x2**



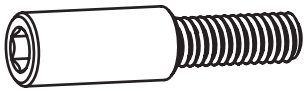
**r2** 5mm Allen wrench **x1**



Using **b4 Bolts**, attach **R1 Top Rail** to **Support Legs X and Z**, inserting **b3 Bolts** on **L Leaf Support Legs** into the predrilled holes on the underside of **R1**.

Tighten **b4 Bolts** with **r2 5mm Allen Wrench**.

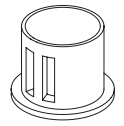
# Part 1: Base



**b4** 8x50 Bolt **x2**



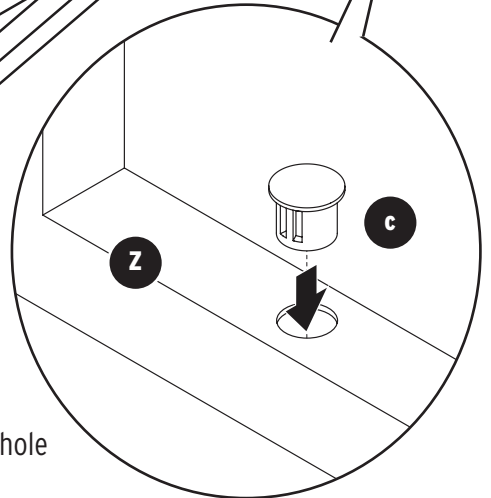
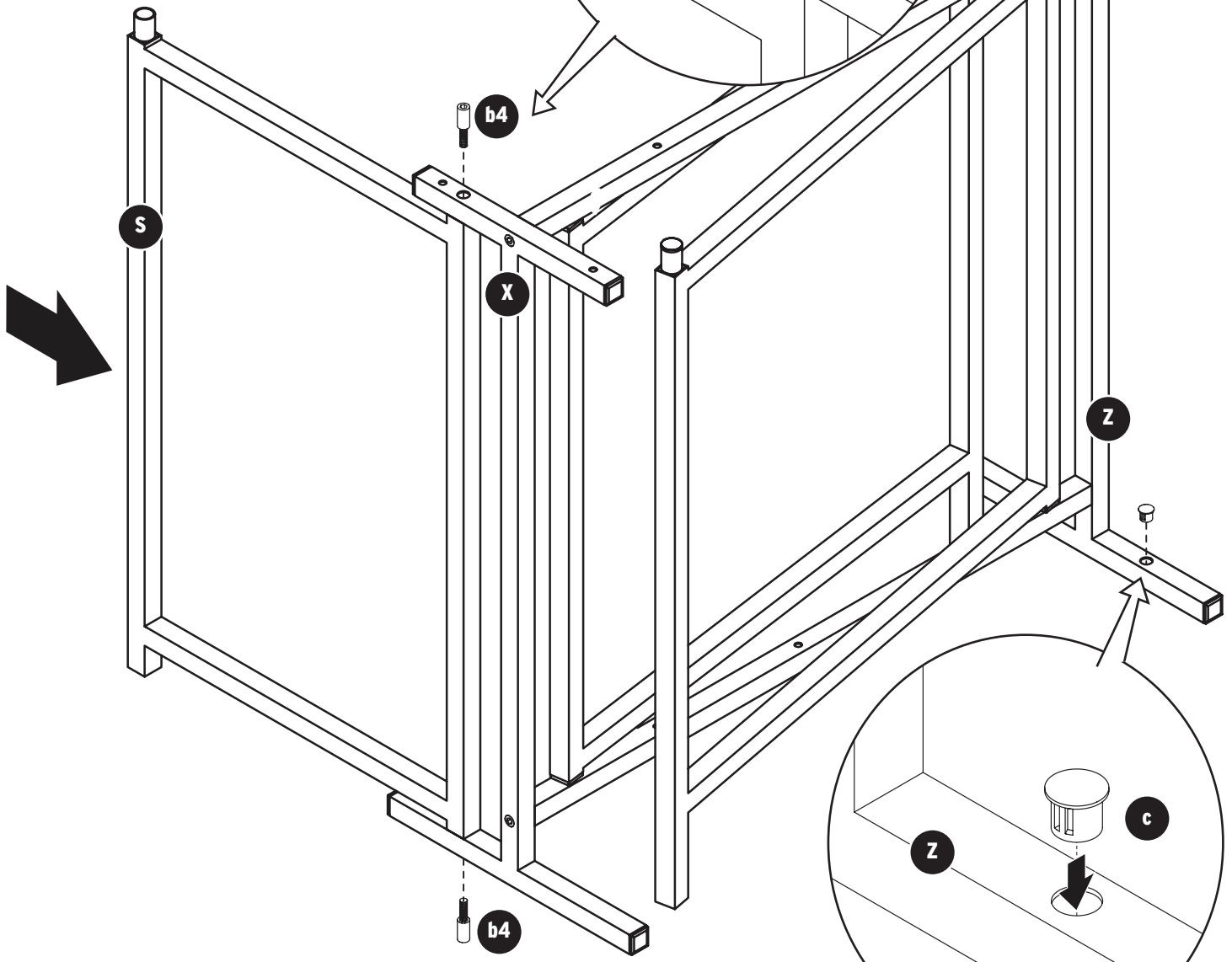
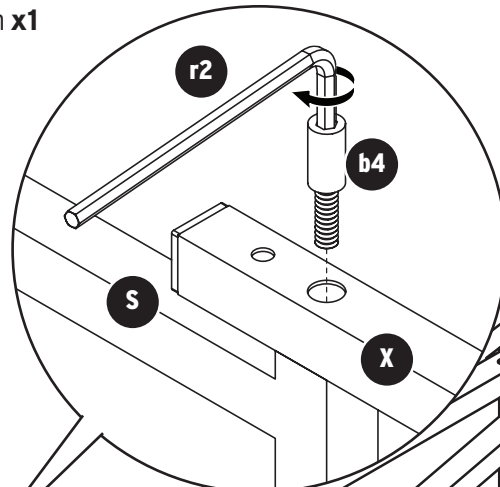
**r2** 5mm Allen wrench **x1**



**c** Plastic Cap **x1**

Attach **Ironing Board Support Leg S** to **Left Support Leg X** using **b4 Bolts** as shown.

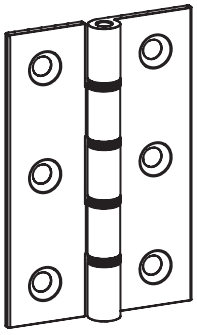
Tighten with **r2 5mm Allen Wrench**.



Insert **c Plastic Cap** into hole on **Right Support Leg Z**.



# Part 2: Top

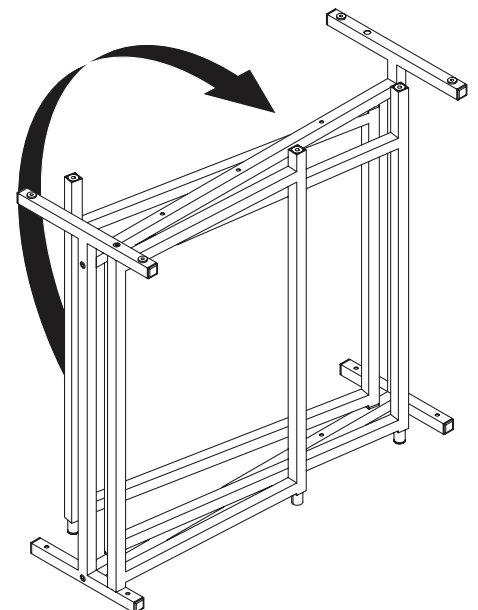
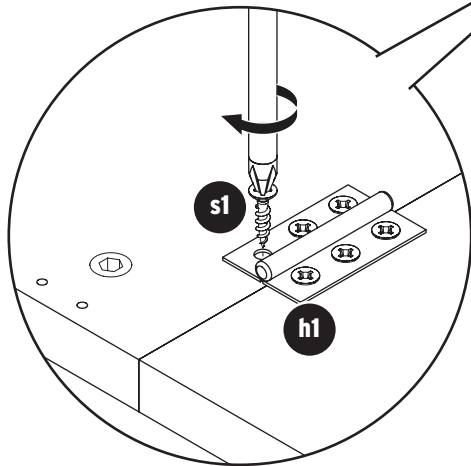
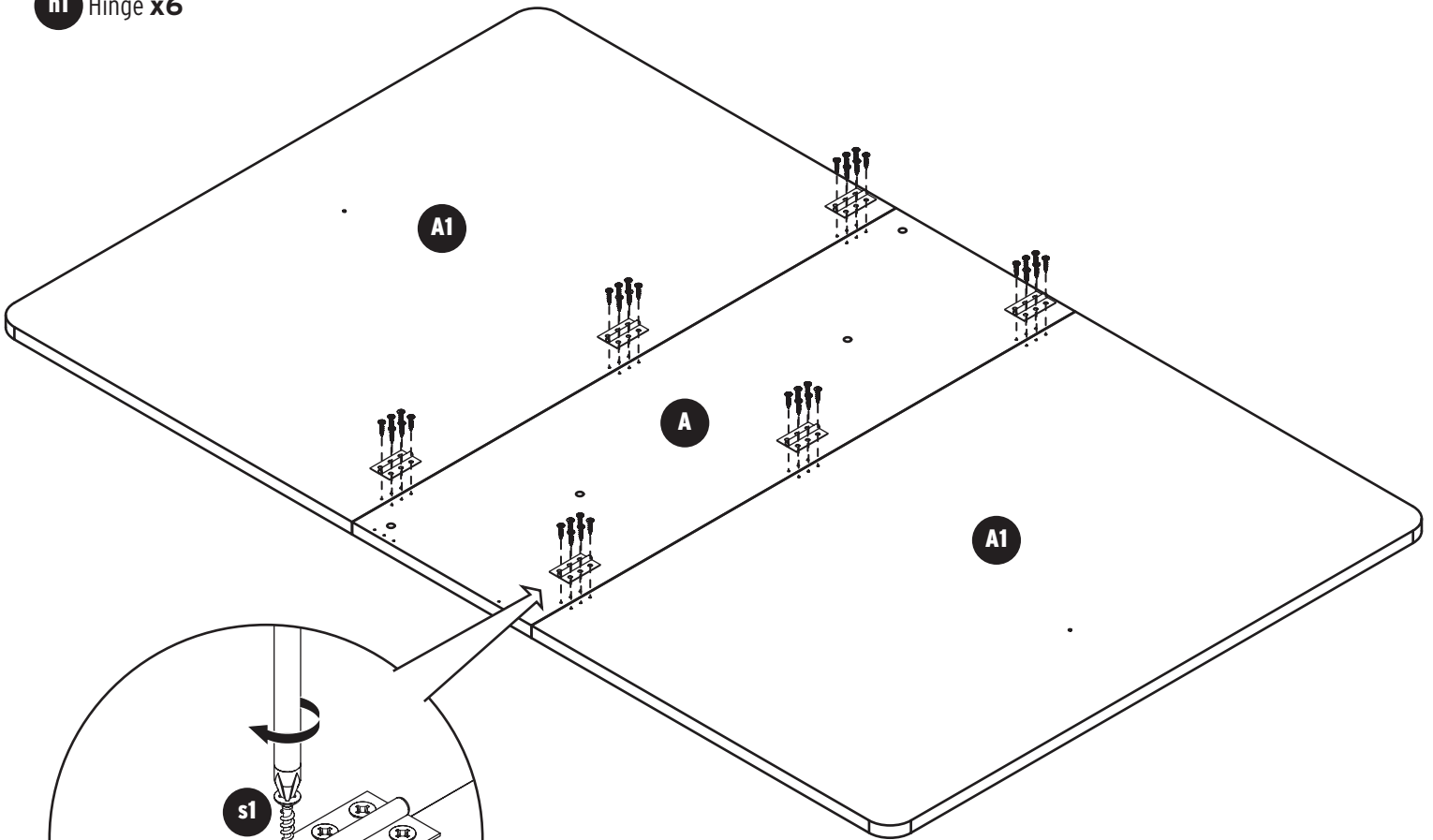


**h1** Hinge **x6**



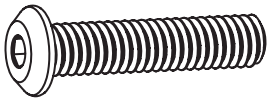
**s1** 4x16 Screw **x36**

Attach **Panels A1 and A** using **h1 Hinges** and **s1 Screws** as shown.



Flip the Leg Assembly over so it is upside down.

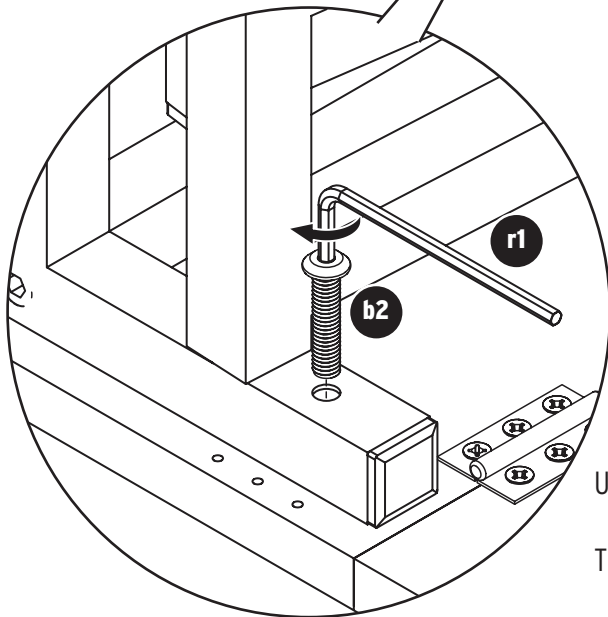
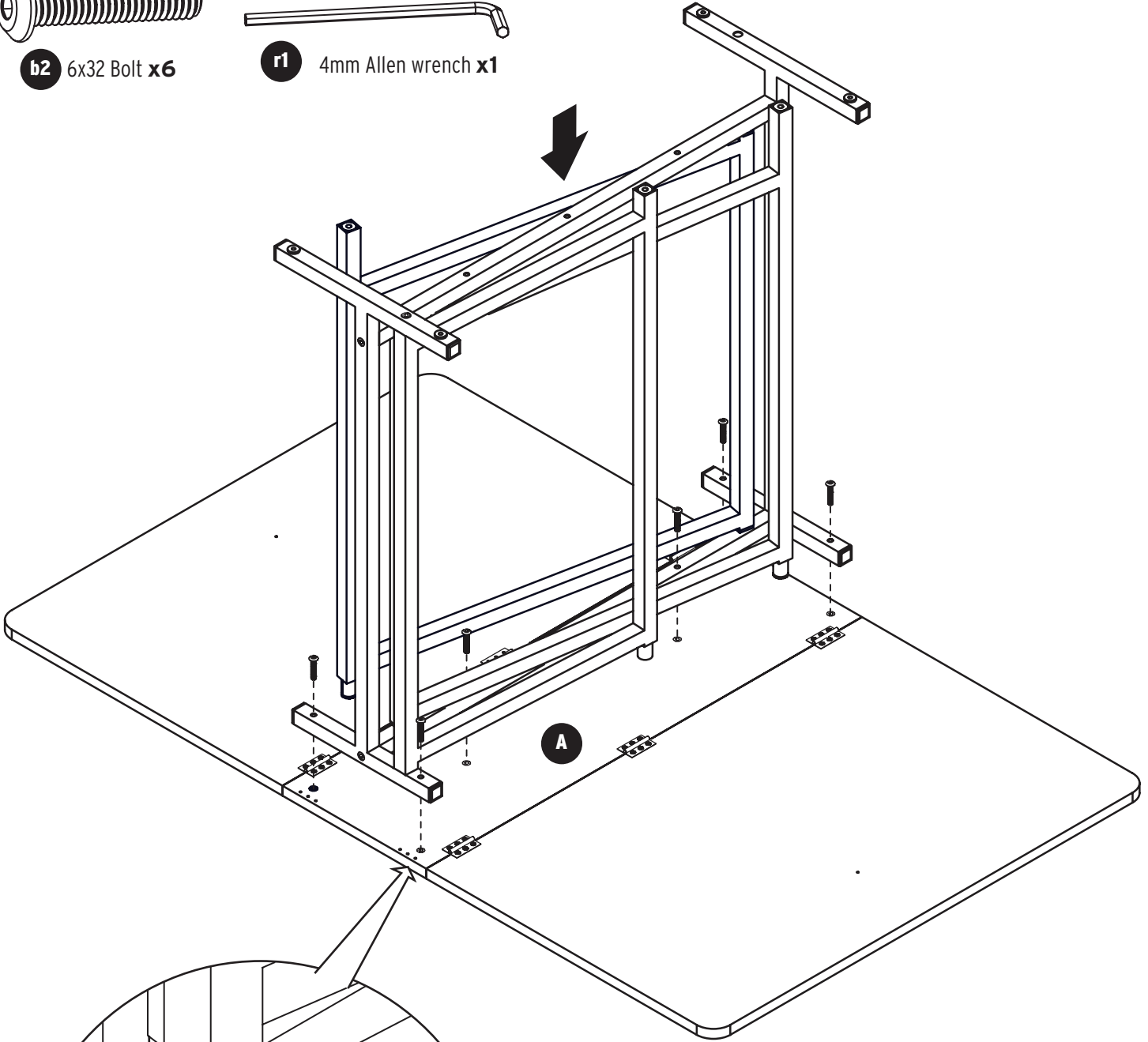
# Part 2: Top



**b2** 6x32 Bolt **x6**



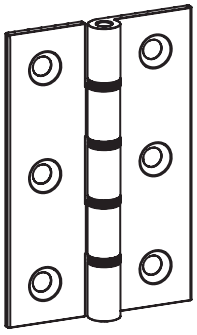
**r1** 4mm Allen wrench **x1**



Using **b2 Fix Bolts**, attach the base of the table to **Panel A** as shown.

Tighten with **r1 4mm Allen Wrench**.

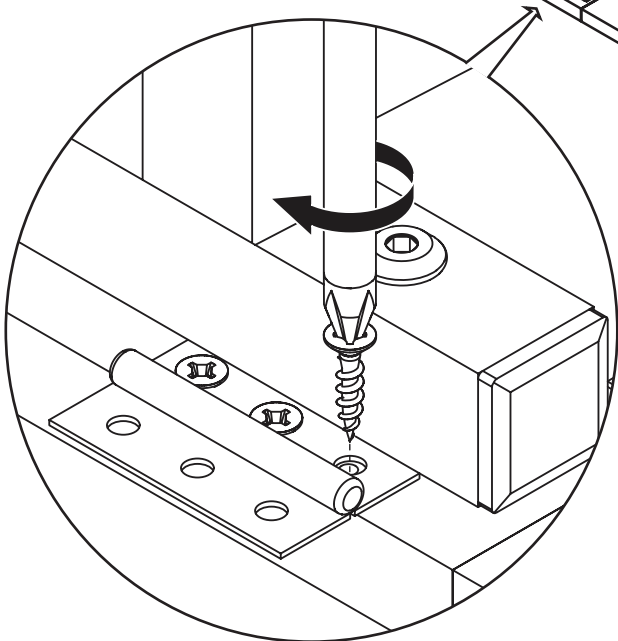
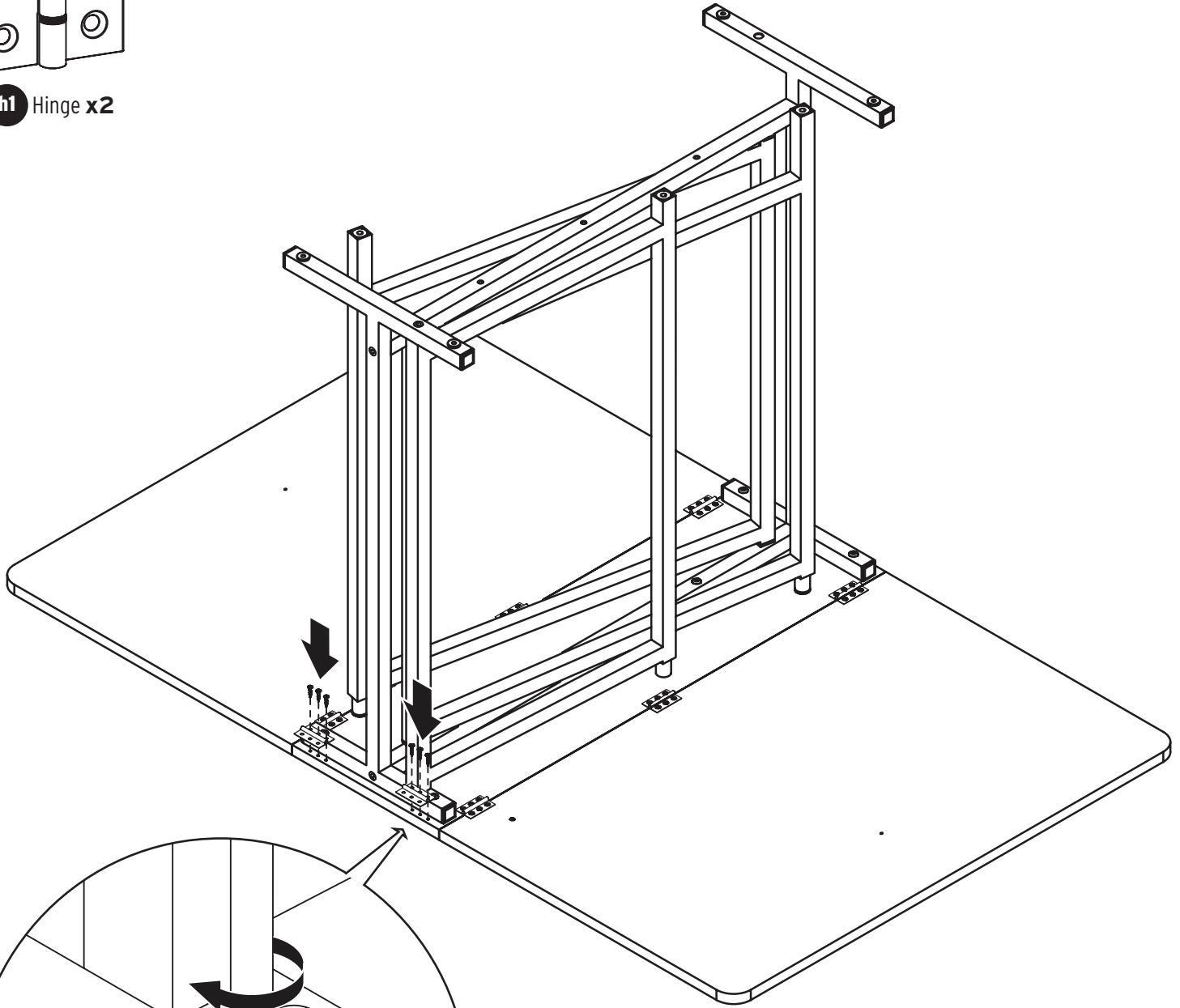
# Part 2: Top



**h1** Hinge **x2**



**s1** 4x16 Screw **x6**



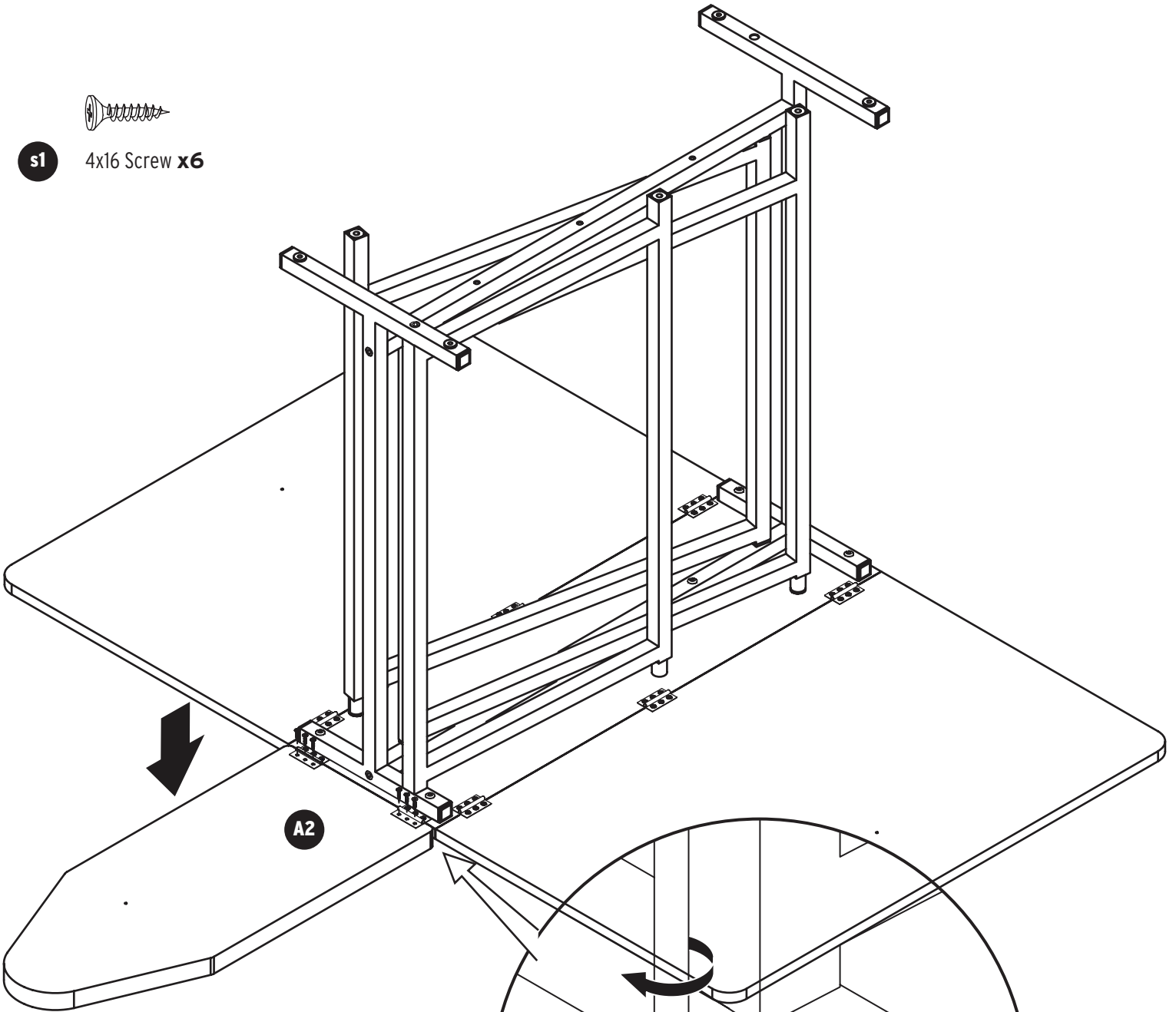
Using **s1** Screws, attach **h1** Hinges to **Panel A**.

# Part 2: Top



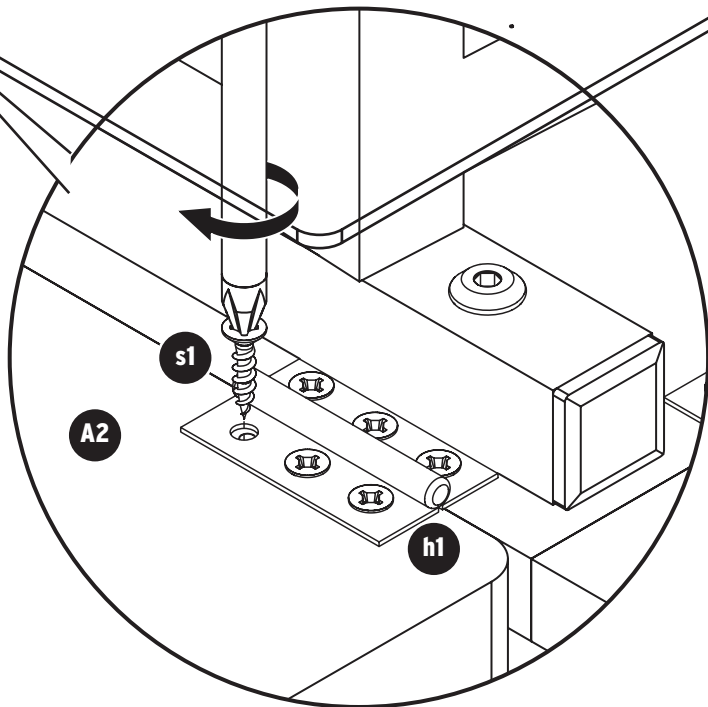
s1

4x16 Screw x6



A2

Attach h1 Hinges on Panel A to Panel A2 using s1 Screws.

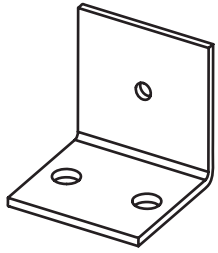


A2

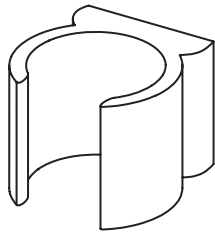
s1

h1

## Part 2: Top



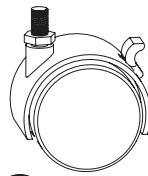
**b** Bracket **x3**



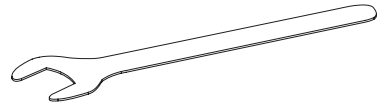
**p** Plastic Support Tube **x3**



**b5** 4x8 Bolt **x3**



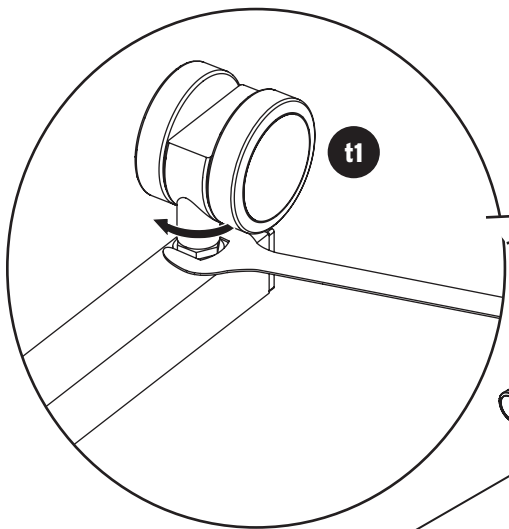
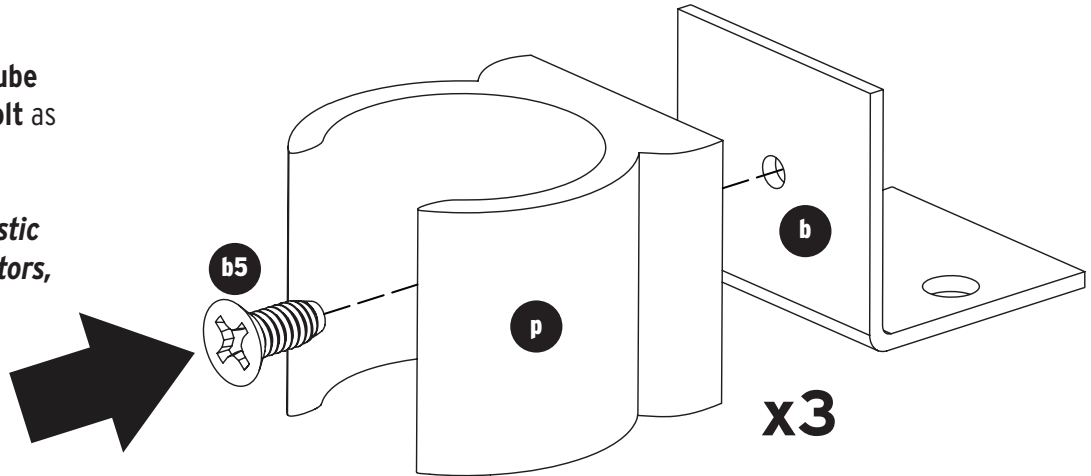
**t1** Caster **x7**



Wrench **x1**

Attach **p Plastic Support Tube** to **b Connector** using **b3 Bolt** as shown.

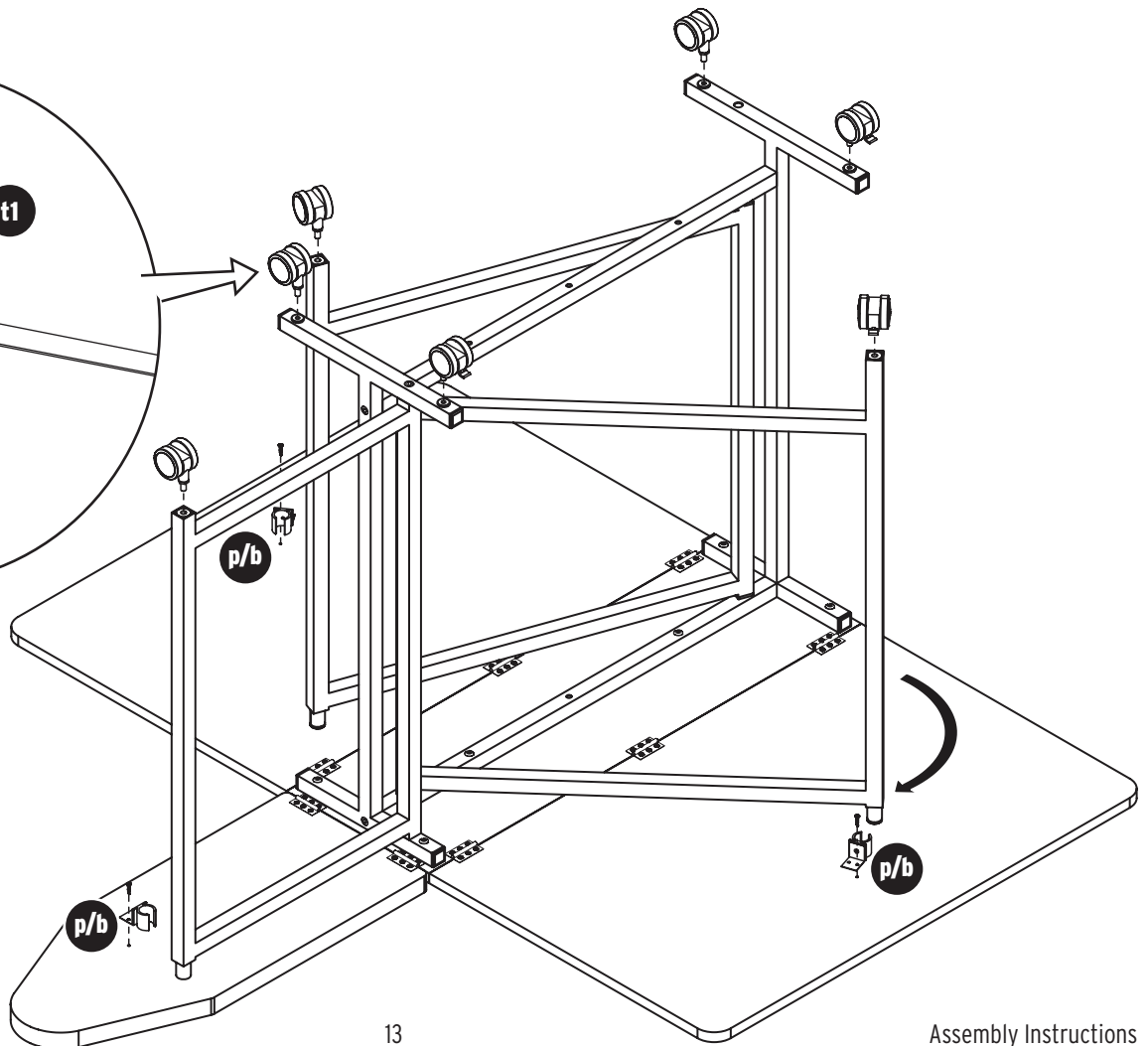
*Repeat with remaining Plastic Support Tubes and Connectors, three assemblies total.*



Attach **t1 Casters** to **Parts S, L, X and Z** as shown. Tighten with included **Wrench**.

Attach three **p/b assemblies** to **Panels A1 and A2** as shown.

See **Page 14** for detail.



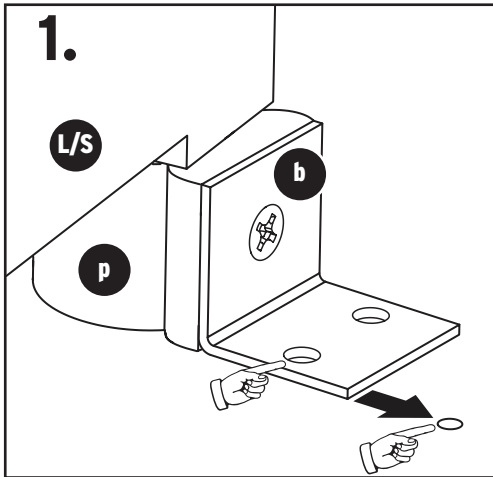
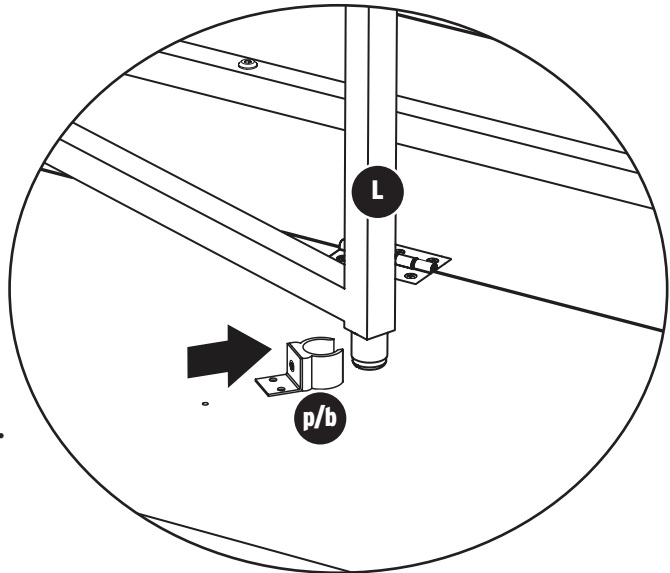
# Part 2: Top



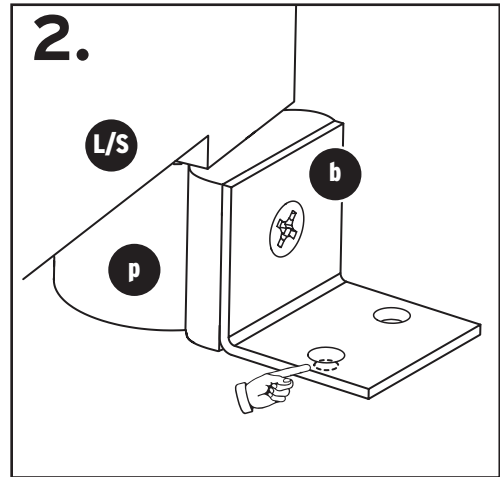
**s1** 4x16 Screw **x6**

Begin by clicking the three **Support Legs** (two **L Leaf Support Legs** and one **S Ironing Board Support Leg**) into **p/b Plastic Support Tube Assemblies**.

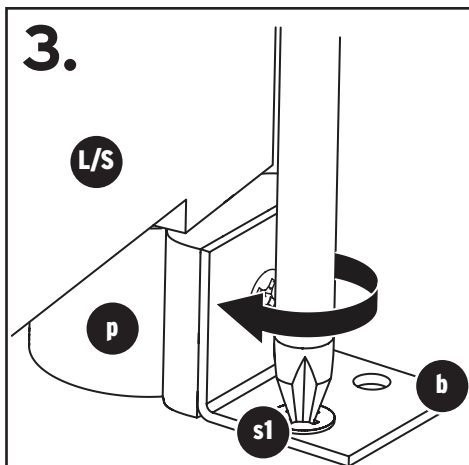
The picture at right depicts the **L Leaf Support Leg**. The process is the same with the **S Ironing Board Support Leg**.



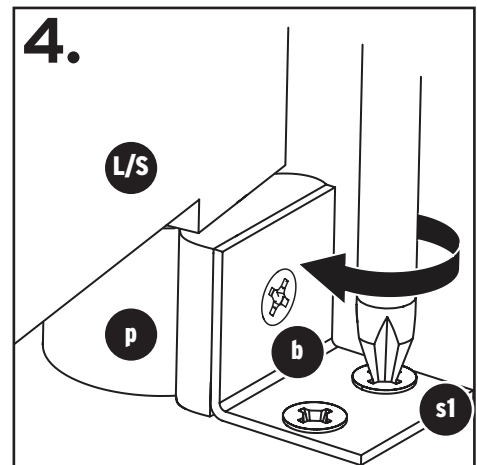
Slide to pre-drilled hole.



Align one hole with pre-drilled hole

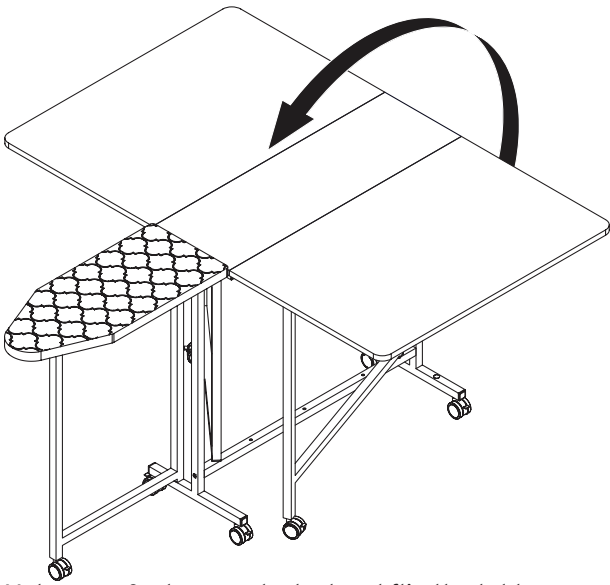


Attach with **s1** Screw.

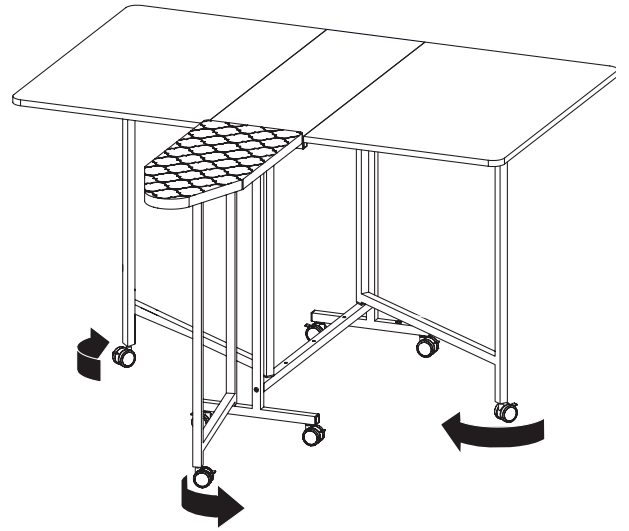


Align the support leg the way you want it, and install a second **s1** Screw. There is no pre-drilled hole, so you may have to apply extra pressure.

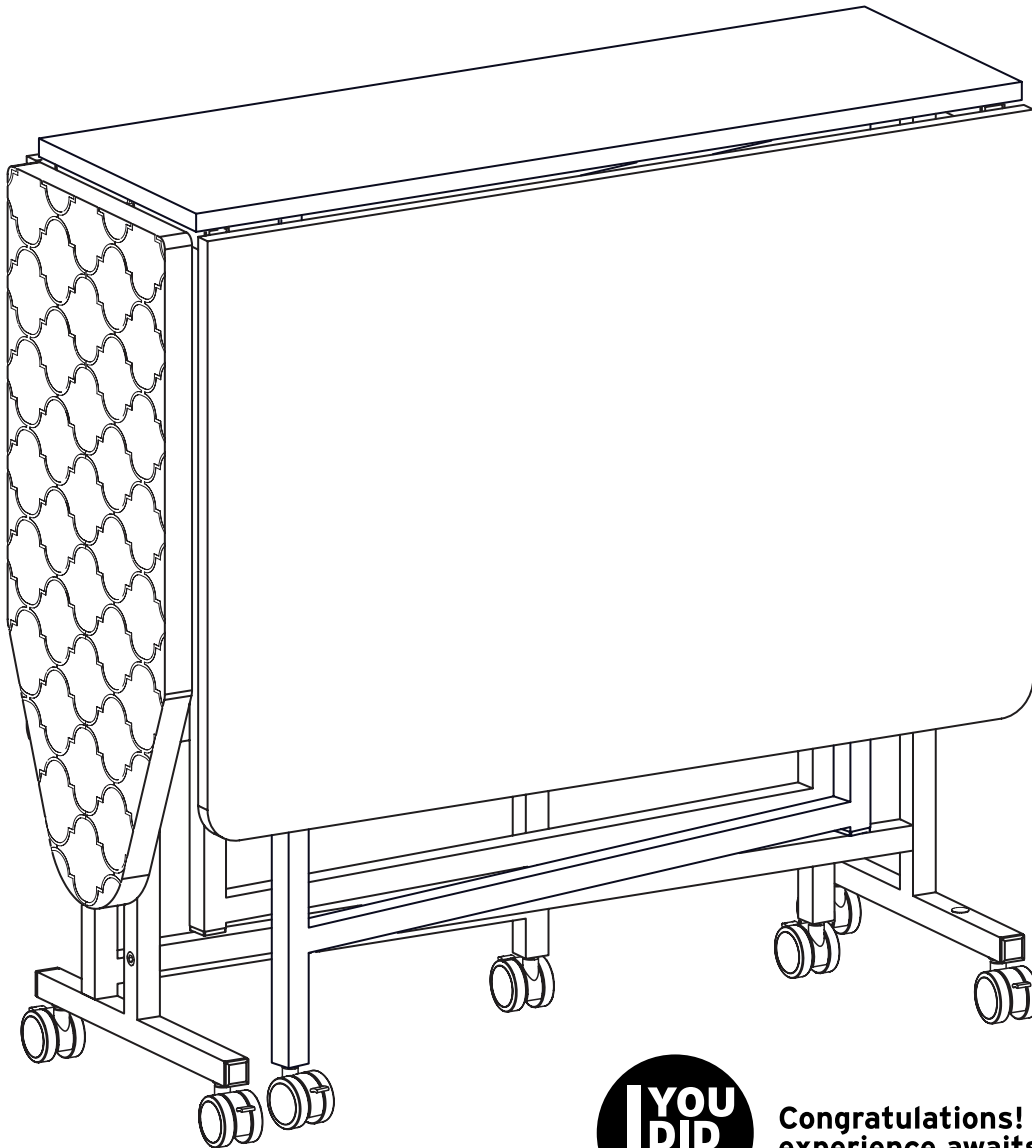
# Completed Millie Cutting Table



Make sure Casters are locked and flip the table over onto its wheels. You will need someone to help you with this step.



Fold Support Legs in as shown.



**Congratulations! A better sewing experience awaits!**



# LIMITED WARRANTY

## Arrow Classic Sewing Furniture 10-Year Warranty

**WHAT THIS WARRANTY COVERS:** Arrow Companies, LLC (Arrow) provides limited warranty coverage to the original purchaser of this product against defects in materials or workmanship of Arrow furniture components for a period of ten years from the date of purchase. As used in this Warranty, "defect" means imperfections in components which substantially impair the utility of the product. This Warranty gives you specific legal rights, and you may also have other rights which vary from state to state.

**HOW TO GET SERVICE:** Simply contact Arrow at 1-800-533-7347 or CS@ArrowSewing.com. When you request warranty service, you must also present proof of purchase documentation, which includes the date of purchase (detailed receipt), and photos of the product. Arrow will replace any defective part (at its sole option), excluding labor. Replacement parts will be warranted for only the remaining period of the original Warranty.

Replacement parts will be shipped freight prepaid on any initial warranty claim during first year of Warranty only. Warranty applies only to defects confirmed by Arrow Companies, LLC and will be replaced or repaired at Arrow's option. In the event parts are no longer available for a warranty claim, customer may receive brand new cabinet at a price equal to 60% off the MSRP of a current comparable model.

**WHAT'S NOT COVERED:** There is no Warranty coverage for defects or conditions that result from the following: Failure to follow product assembly instructions, information or warnings; misuse or abuse; intentional damage; fire, flood, alteration or modification of the product; use of the product in a manner inconsistent with its intended use; any condition resulting from incorrect or inadequate maintenance, cleaning, care or neglect; cuts or scratches; caster damage as a result of moving furniture fully loaded or with locked casters; damage resulting from electrical surge or lightning; or use in commercial or education environments. Arrow Sewing Furniture is designed for residential use only.

ARROW SHALL HAVE NO LIABILITY for ANY INCIDENTAL OR CONSEQUENTIAL DAMAGES OF ANY KIND and all such damages are EXCLUDED FROM THIS WARRANTY, such as loss of use, disassembly, transportation, labor or damage to property on or near the product. Some states do not allow the exclusion or limitation of incidental or consequential damages, so the above limitation or exclusion may not apply to you. The Warranty cannot be transferred to subsequent owners or users of the product, and it shall be immediately void in the event the product is resold, transferred, leased or rented to any third party or person other than the original purchaser.

**ADDITIONAL LIMITATIONS:** THERE ARE NO OTHER WARRANTIES APPLICABLE TO THIS PRODUCT. Under the laws of certain states, there may be no implied warranties from Arrow and all implied warranties, INCLUDING ANY IMPLIED WARRANTY OF MERCHANTABILITY OR FITNESS FOR A PARTICULAR PURPOSE are disclaimed where allowed by law. TO THE EXTENT ANY IMPLIED WARRANTIES ARE APPLICABLE, ANY IMPLIED WARRANTIES, INCLUDING ANY IMPLIED WARRANTY OF MERCHANTABILITY OR FITNESS FOR A PARTICULAR PURPOSE, ARE LIMITED IN DURATION TO THE DURATION OF THIS EXPRESS WARRANTY or the minimum period allowed by law, whichever is shorter. Some states do not allow limitations on how long an implied Warranty lasts, so the above limitation may not apply to you. This limited warranty gives you specific legal rights. This limited warranty does not, in any way, affect the rights given to you by law.

**REGISTER YOUR PRODUCT:** Original purchaser should register the purchase online at [www.ArrowSewing.com/warranty](http://www.ArrowSewing.com/warranty).

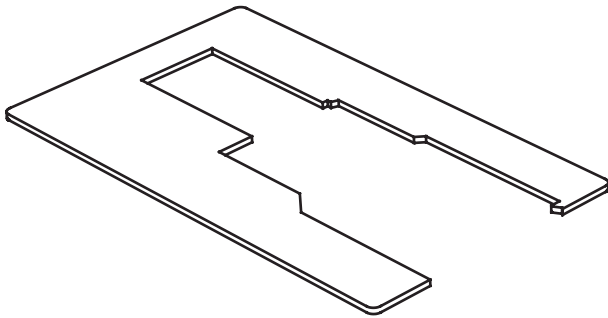


# COMPLETE YOUR SEWING STUDIO!

Elevate your sewing experience with Arrow's Best-Selling Accessories!

## Custom Sewing Inserts

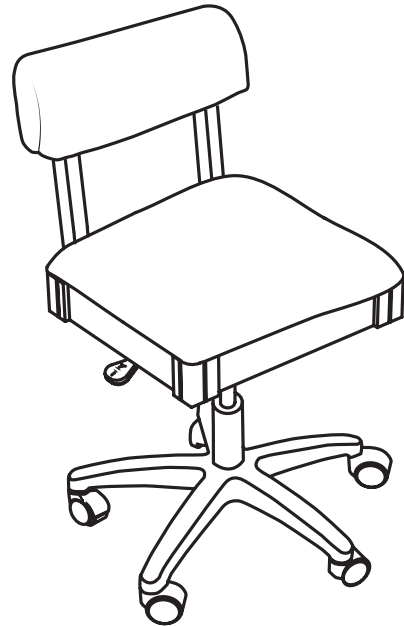
Enhance your sewing experience with a custom acrylic sewing insert! Custom acrylic sewing inserts are designed to fill the gap between your sewing machine and sewing cabinet's lift opening to create a flush, ergonomic surface for flat bed sewing. To ensure a perfect fit, custom acrylic sewing inserts are built specifically for your sewing machine and sewing cabinet combination. Say hello to happy wrists, straighter stitches, and an elevated sewing experience!



Custom Sewing Insert

## Sewing Chairs

Arrow's #1 Rated Height Adjustable Sewing Chair is a must have accessory for your dream sewing room! Cute, comfortable and convenient - our lovable sewing chairs feature vibrant sewing themed patterns, 360° swivel access and lumbar support for long hours at your workstation. Don't look now, but under every seat cushion is a hidden storage compartment to store your notions and patterns! Available in 10 colors to perfectly match your sewing sanctuary!



Height Adjustable Sewing Chair