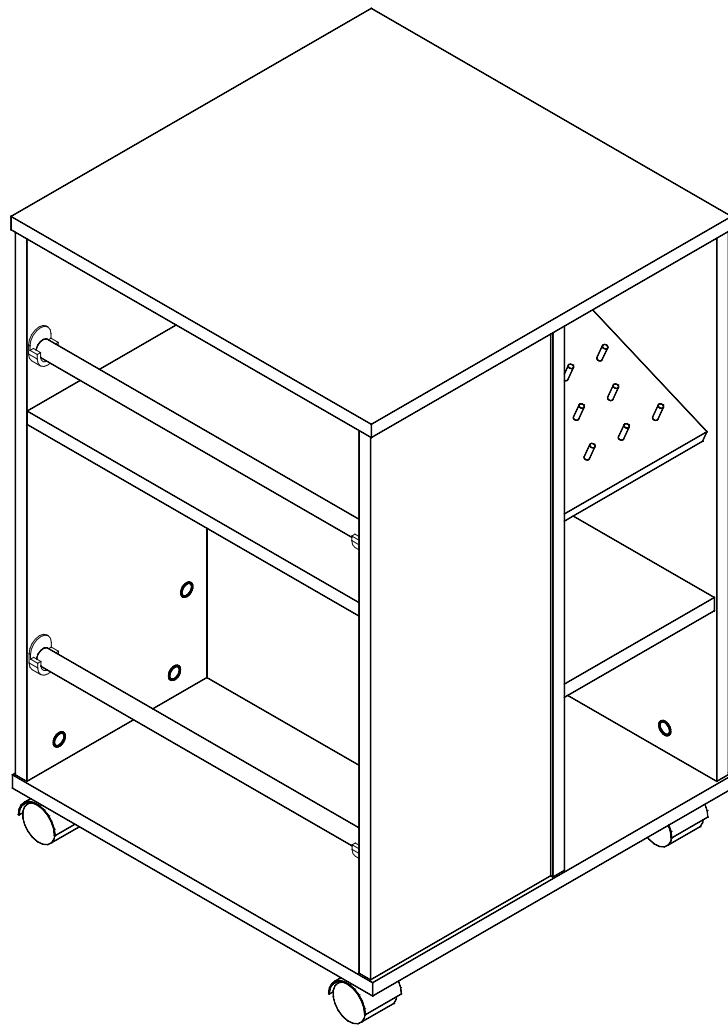


ASSEMBLY INSTRUCTION

Storage Cube/81100





LIMITED WARRANTY

Arrow™ Sewing Furniture 10-Year Warranty

WHAT THIS WARRANTY COVERS: Arrow Companies, LLC (Arrow) provides limited warranty coverage to the original purchaser of this product against defects in materials or workmanship of Arrow furniture components for a period of ten years from the date of purchase. As used in this Warranty, "defect" means imperfections in components which substantially impair the utility of the product. This Warranty gives you specific legal rights, and you may also have other rights which vary from state to state.

HOW TO GET SERVICE: Simply contact Arrow at 1-800-533-7347 or CS@ArrowCabinets.com. When you request warranty service, you must also present proof of purchase documentation, which includes the date of purchase (detailed receipt), and photos of the product. Arrow will replace any defective part (at its sole option), excluding labor. Replacement parts will be warranted for only the remaining period of the original Warranty.

Replacement parts will be shipped freight prepaid on any initial warranty claim during first year of Warranty only. Warranty applies only to defects confirmed by Arrow Companies, LLC and will be replaced or repaired at Arrow's option. In the event parts are no longer available for a warranty claim, customer may receive brand new cabinet at a price equal to 60% off the MSRP of a current comparable model.

WHAT'S NOT COVERED: There is no warranty coverage for defects or conditions that result from the failure to follow product assembly instructions, information or warnings, misuse or abuse, intentional damage, fire, flood, alteration or modification of the product, or use of the product in a manner inconsistent with its intended use, nor any condition resulting from incorrect or inadequate maintenance, cleaning, or care, or neglect, cuts or scratches. Caster damage as a result of moving furniture fully loaded or with locked casters. Damage resulting from electrical surge or lightning. Use in commercial or education environments. Arrow Sewing Furniture is designed for residential use only.

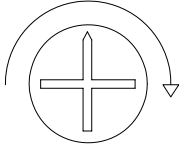
ARROW SHALL HAVE NO LIABILITY for ANY INCIDENTAL OR CONSEQUENTIAL DAMAGES OF ANY KIND and all such damages are EXCLUDED FROM THIS WARRANTY, such as loss of use, disassembly, transportation, labor or damage to property on or near the product. Some states do not allow the exclusion or limitation of incidental or consequential damages, so the above limitation or exclusion may not apply to you. The Warranty cannot be transferred to subsequent owners or users of the product, and it shall be immediately void in the event the product is resold, transferred, leased or rented to any third party or person other than the original purchaser.

ADDITIONAL LIMITATIONS:

THERE ARE NO OTHER WARRANTIES APPLICABLE TO THIS PRODUCT. Under the laws of certain states, there may be no implied warranties from Arrow and all implied warranties, INCLUDING ANY IMPLIED WARRANTY OF MERCHANTABILITY OR FITNESS FOR A PARTICULAR PURPOSE are disclaimed where allowed by law. TO THE EXTENT ANY IMPLIED WARRANTIES ARE APPLICABLE, ANY IMPLIED WARRANTIES, INCLUDING ANY IMPLIED WARRANTY OF MERCHANTABILITY OR FITNESS FOR A PARTICULAR PURPOSE, ARE LIMITED IN DURATION TO THE DURATION OF THIS EXPRESS WARRANTY or the minimum period allowed by law, whichever is shorter. Some states do not allow limitations on how long an implied Warranty lasts, so the above limitation may not apply to you. This limited warranty gives you specific legal rights. This limited warranty does not, in any way, affect the rights given to you by law.

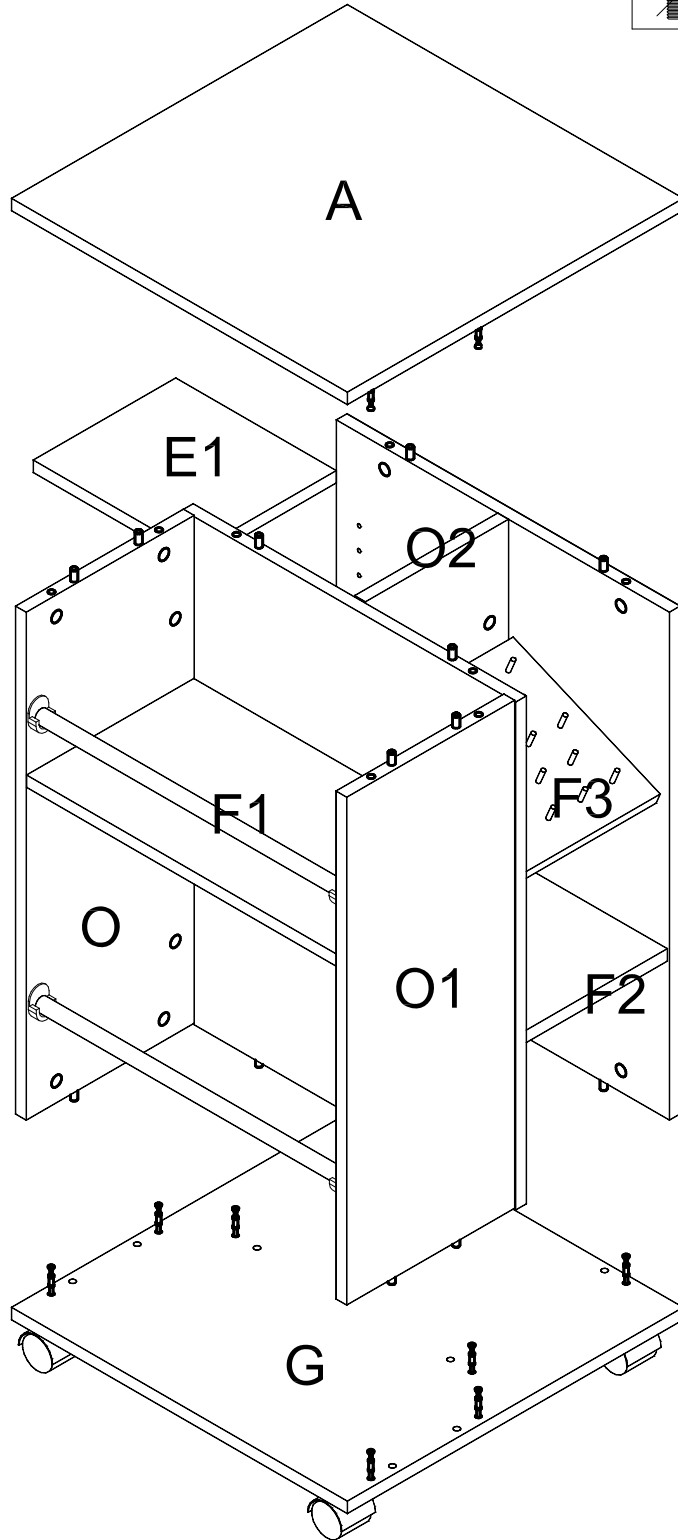
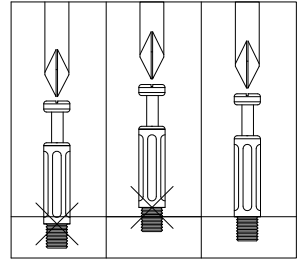
REGISTER YOUR PRODUCT: Original purchaser should register the purchase online at www.ArrowCabinets.com/warranty.

Clockwise



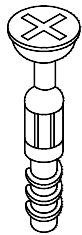
Turning direction for attaching

Incorrect Incorrect Correct



PARTS LIST

ITEM	DESCRIPTION	QTY.	ITEM	DESCRIPTION	QTY.
A	Top panel	1	(c1)	6*35 Cam Bolt	36
G	Bottom panel	1	(d1)	8*30 Dowel Pin	40
X	panel	1	(d2)	6*50 Dowel Pin	42
Z	panel	1	(c2)	(5/8") Cam Cover	36
O	Panel	1	(S2)	3.5*12 Screw	4
O1	Panel	1	(S1)	4*16 Screw	16
O2	Panel	1	(t1)	Castors	4
F1	Panel	1	(p1)	Threaded dowel pin	8
F2	Panel	1	(p)	Plastic Support	4
F3	Panel	1		Steel Rail	2
E	Shelves	2		Glue	1



(c1) 6*35 Cam Bolt-36



(d1) 8*30 Dowel Pin-40



(c2) (5/8") Cam Cover-36



(S2) 3.5*12 Screw-4



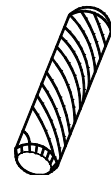
(S1) 4*16 Screw-16



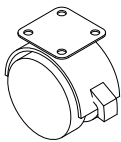
(p1) Threaded Dowel Pin-8



(p) Plastic support-4



(d2) 6*50 Dowel Pin-42

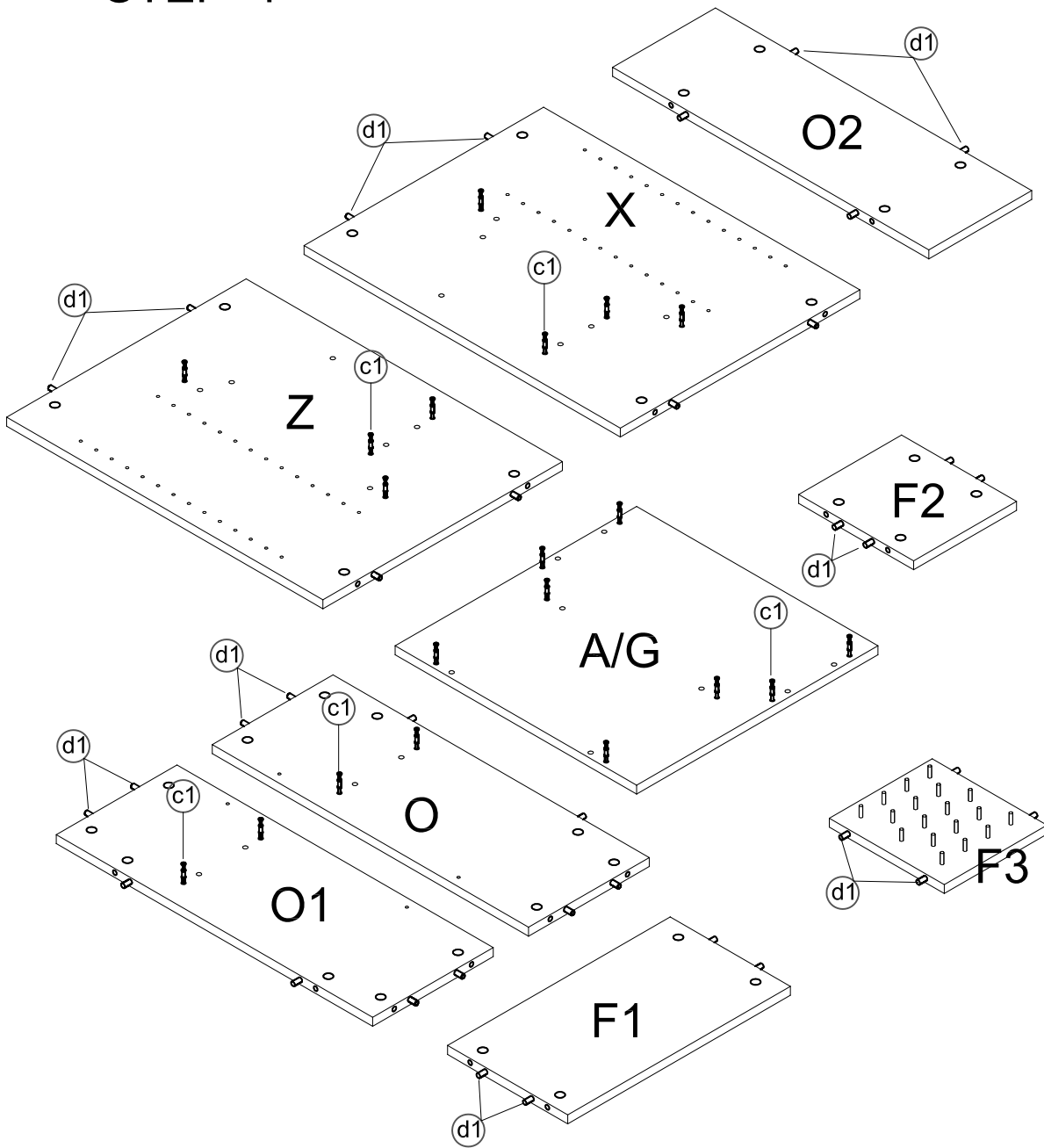


(t1) Castors-4



Glue

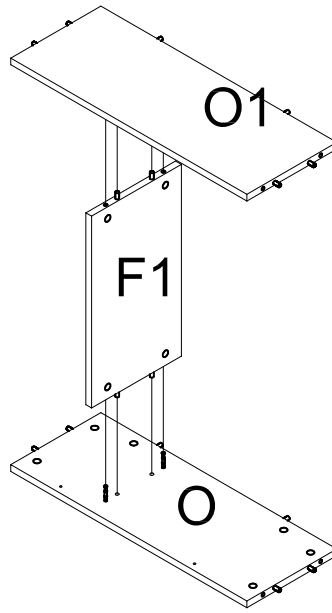
STEP 1



Preparation for panels A,G,X,Z,F1,F2,F3,O,O1,O2.

1. Insert cam bolts (c1) into panels A,G,X,Z,O,O1 as illustrated above.
2. Insert dowel pins (d1) to panels X,Z,O,O1,O2,F1,F2,F3 as illustrated above.

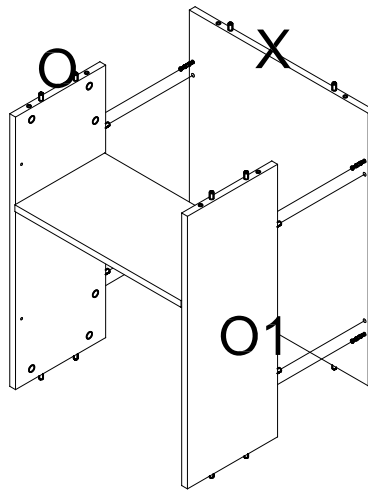
STEP 2



Panels O,O1 and F1 assembly.

1. Insert cam bolts (c1) on panels O,O1 and box into cams on panel F1 and tighten in a clockwise direction as illustrated above.

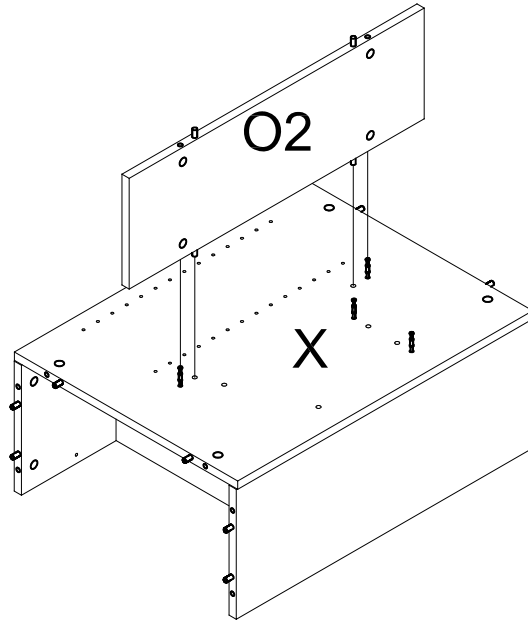
STEP 3



Panel X assembly.

1. Insert cam bolts (c1) on panel X into cams on panels O,O1 and box and tighten in a clockwise direction as illustrated above.

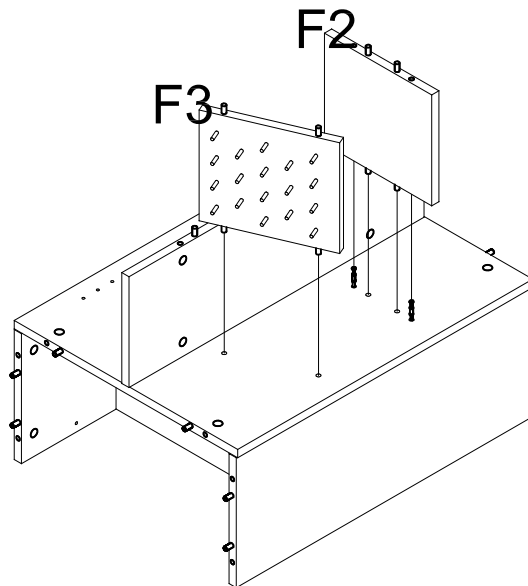
STEP 4



Panel O2 assembly.

1. Insert cam bolts (c1) on panel X into cams on panel O2 and box and tighten in a clockwise direction as illustrated above.

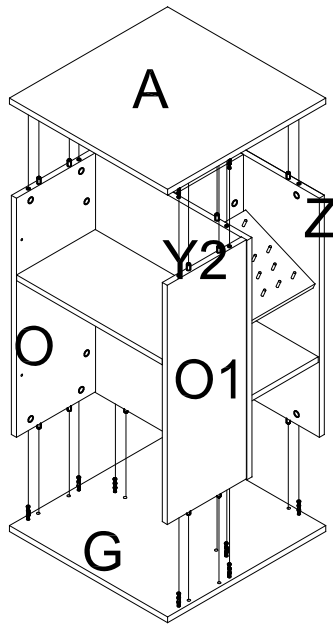
STEP 5



Panel F2,F3 assembly.

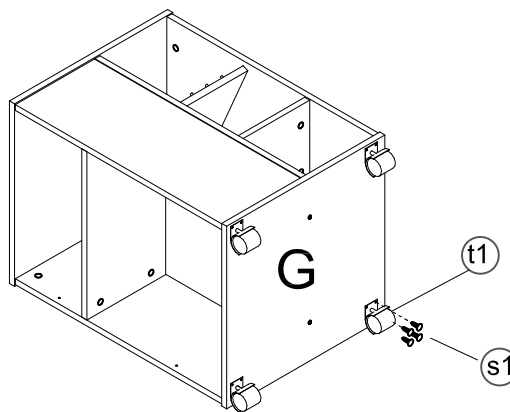
1. Insert cam bolts (c1) on panel X into cams on panels F2,F3 and box and tighten in a clockwise direction as illustrated above.

STEP 6



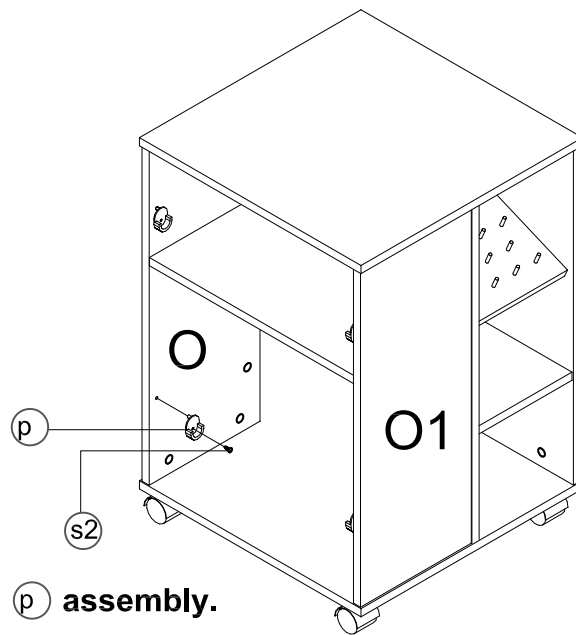
Panel A,G assembly.

STEP 7



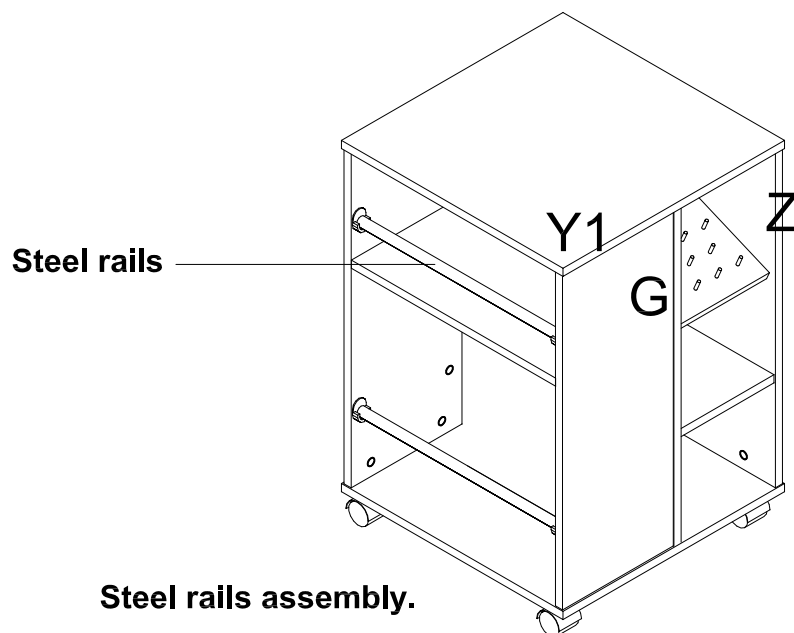
Castors assembly.

STEP 8



Plastic support (p) assembly.

STEP 9



Steel rails assembly.

Insert dowel pins (d2) to panel Z with glue as illustrated above.

You have now successfully completed the assembly on item:

Storage Cube/81100

