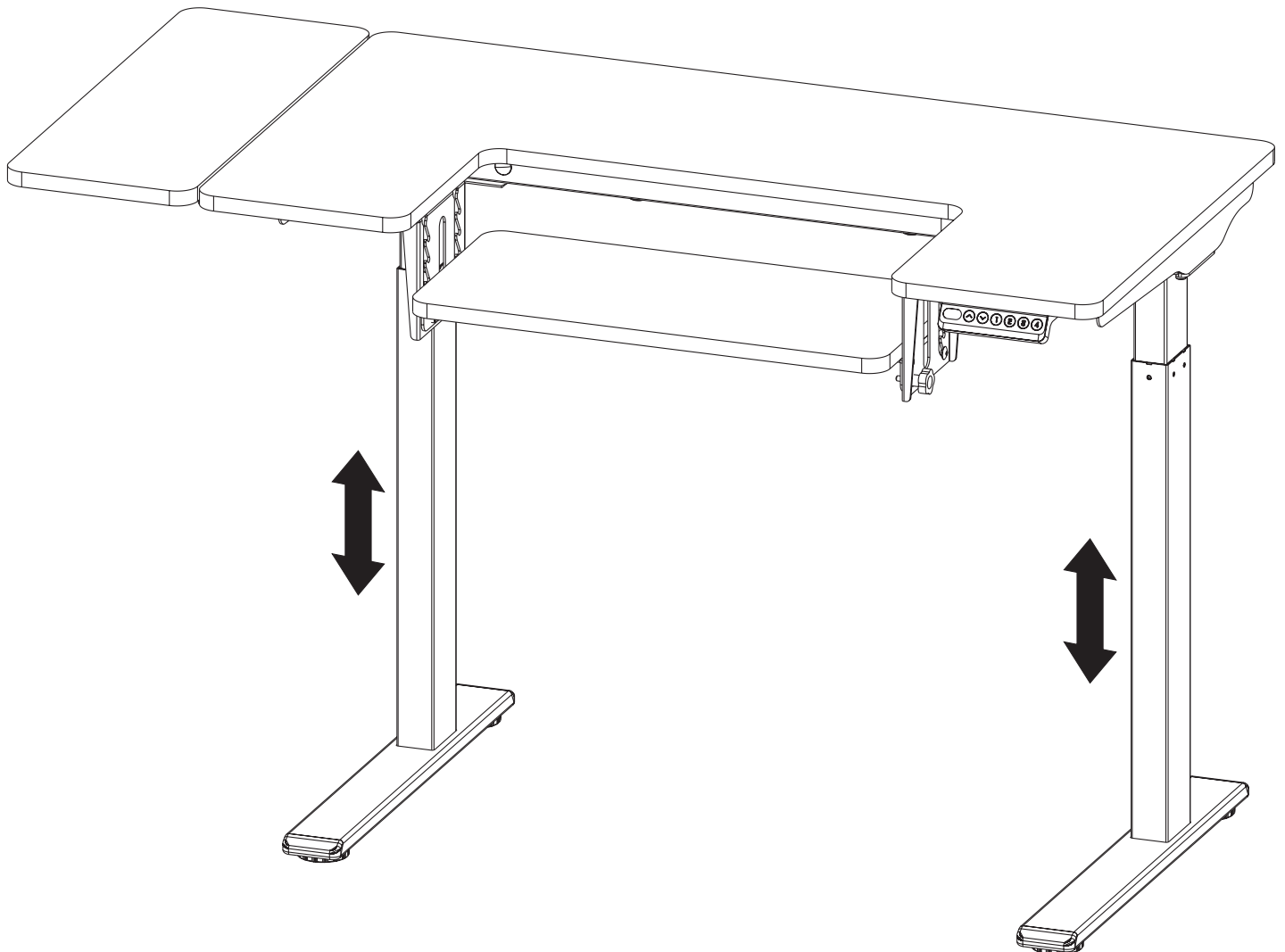


ASSEMBLY INSTRUCTIONS

# Eleanor

ITEM NO.: 691 White



# Use and Care

**Congratulations and welcome to Arrow Sewing Furniture! We can't wait to get your brand new Eleanor Sewing Table up and running.**

**Please contact our Customer Service Team at 1-800-533-7347 ext. 1 during normal business hours with any assembly related questions.**

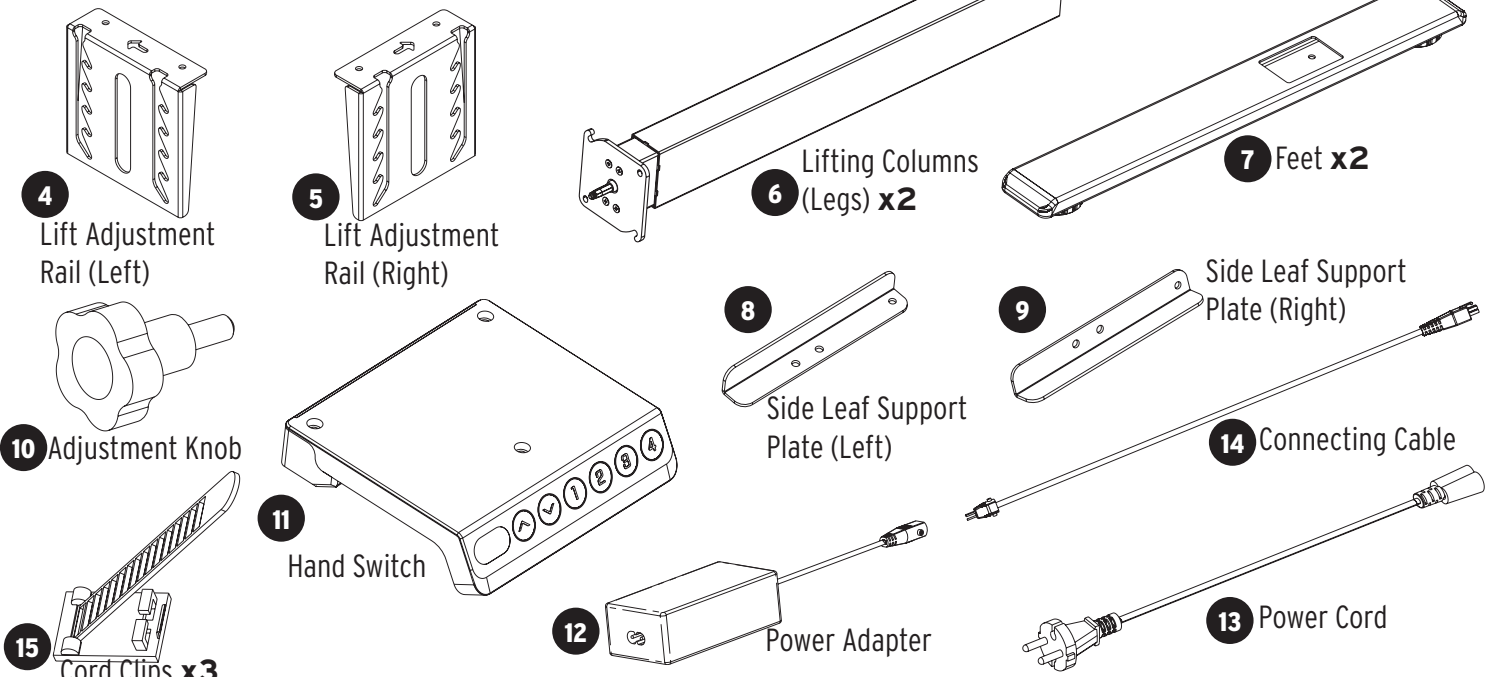
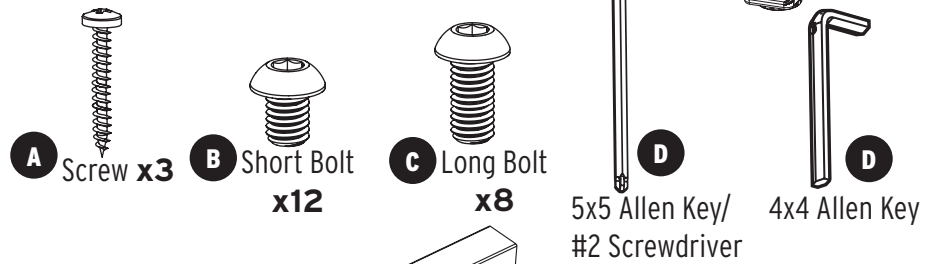
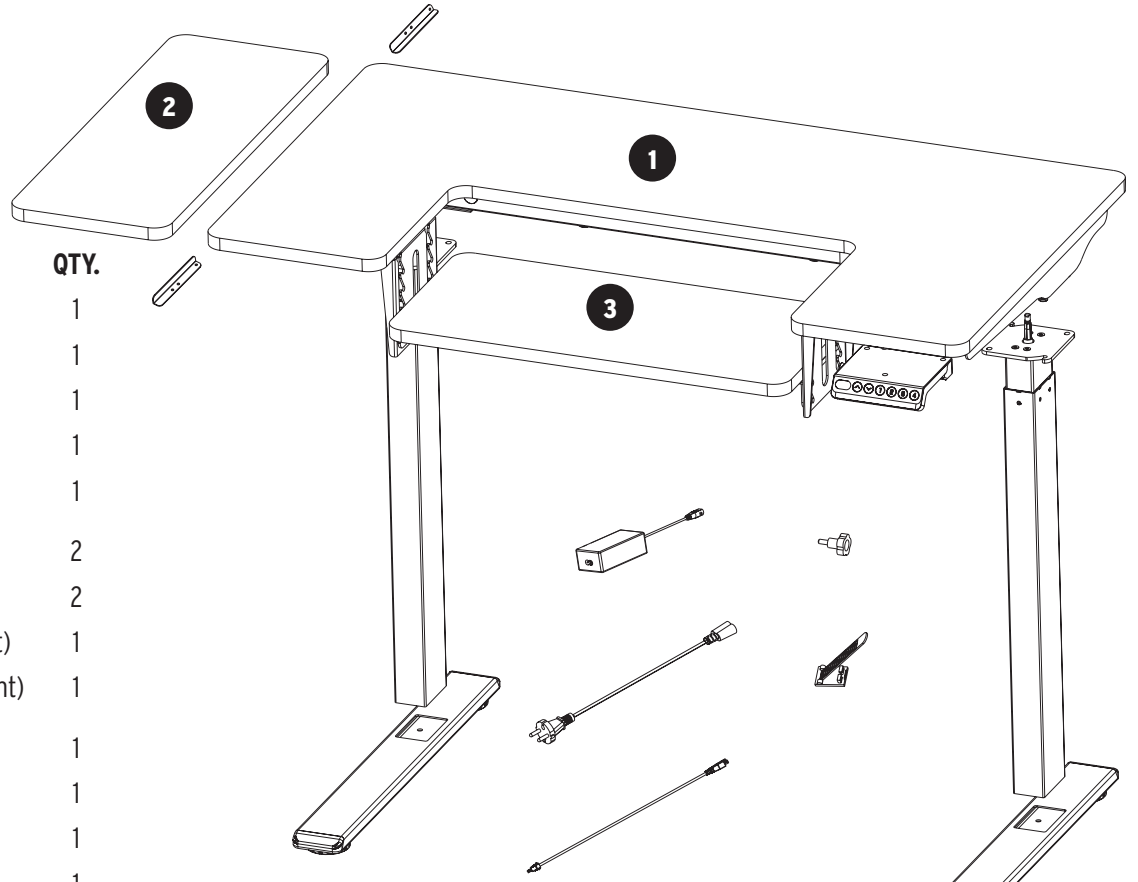
**Read the instructions carefully before beginning the assembly process to ensure proper assembly of this product. Open the boxes, inspect the contents, and make sure that all parts and hardware are included.**

**All necessary tools are supplied! If you'd prefer to use your own tools, you will need a 4x4 Allen Key, a 5x5 Allen Key and a #2 Phillips Head Screwdriver.**

**Your cabinet normally requires minimal maintenance; however, to remove marks and enhance the surface, wipe down with a gentle all-purpose cleanser. DO NOT use ammonia-based, harsh, or abrasive cleaning agents. Wipe dry immediately.**

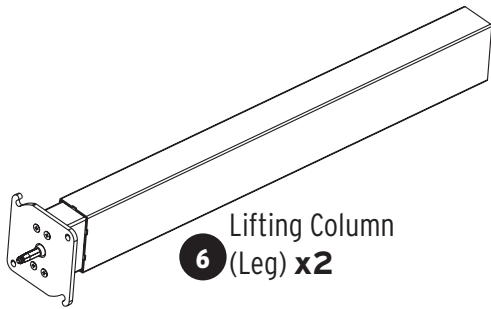
# Parts and Hardware

ITEM	DESCRIPTION	QTY.
1	Main Tabletop	1
2	Side Leaf	1
3	Manual Lift Platform	1
4	Lift Adjustment Rail (Left)	1
5	Lift Adjustment Rail (Right)	1
6	Lifting Columns (Legs)	2
7	Feet	2
8	Side Leaf Support Plate (Left)	1
9	Side Leaf Support Plate (Right)	1
10	Adjustment Knob	1
11	Hand Switch	1
12	Power Adapter	1
13	Power Cord	1
14	Connecting Cable	1
15	Cord Clips	3
A	Screws	3
B	Short Bolts	12
C	Long Bolts	8
D	4x4 Allen Key	1
D	5x5 Allen Key/Screwdriver	1

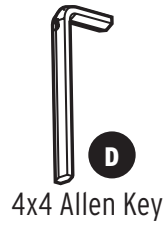


# Step 1: Attaching the Legs

**\*NOTE:** 4 of the "B" Bolts needed for leg assembly are already partially installed on the table's crossbeam and are not included in the parts count below.

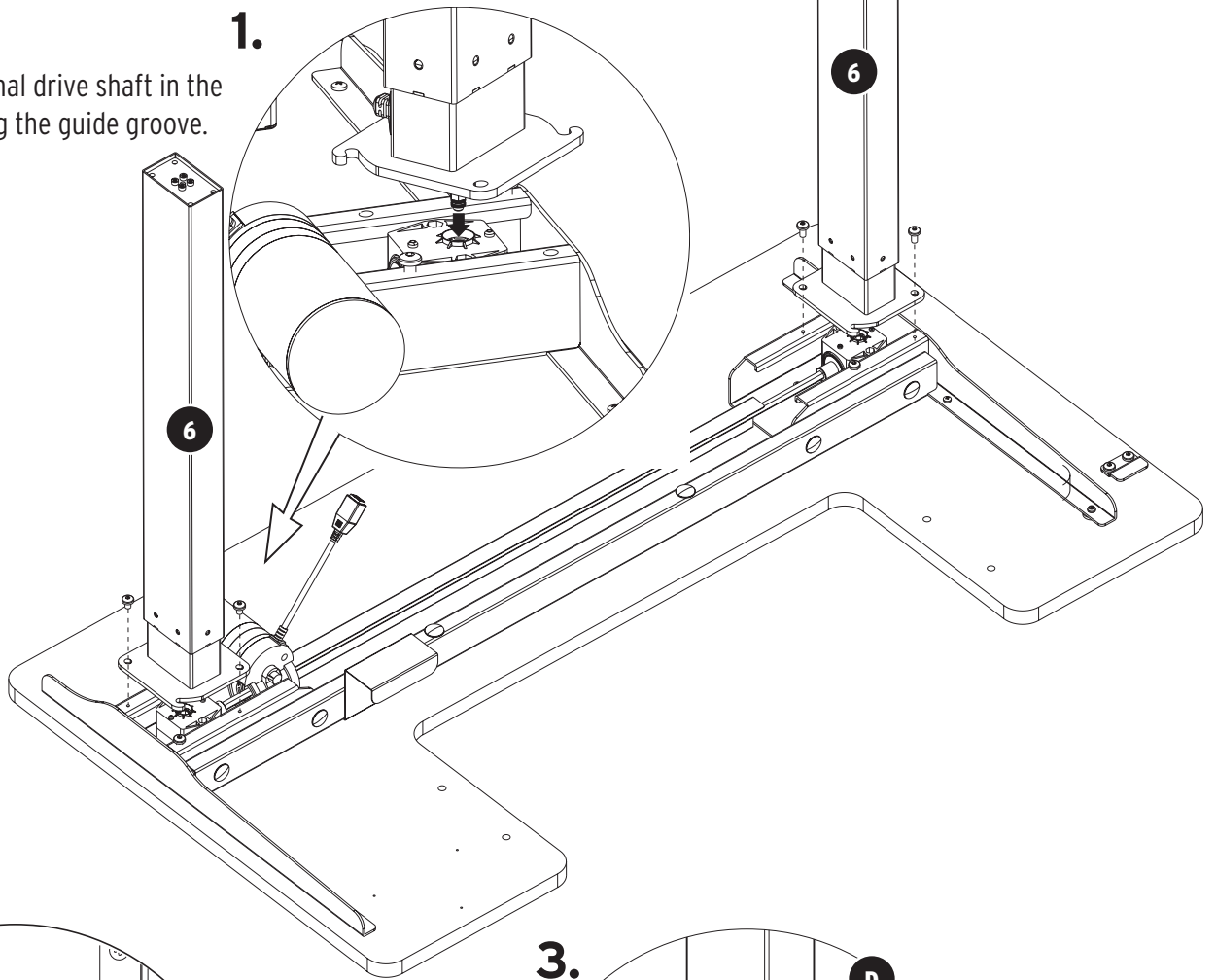


**6** Lifting Column (Leg) x2

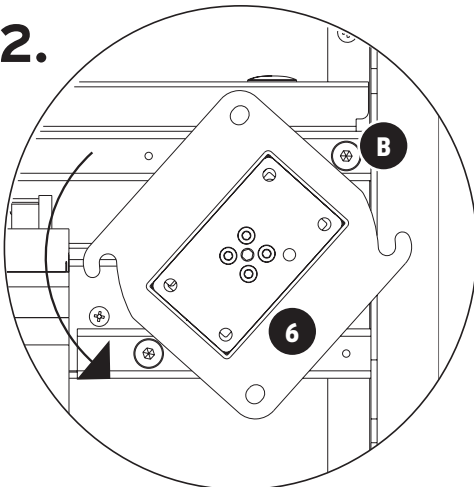


Insert the hexagonal drive shaft in the column head along the guide groove.

**1.**

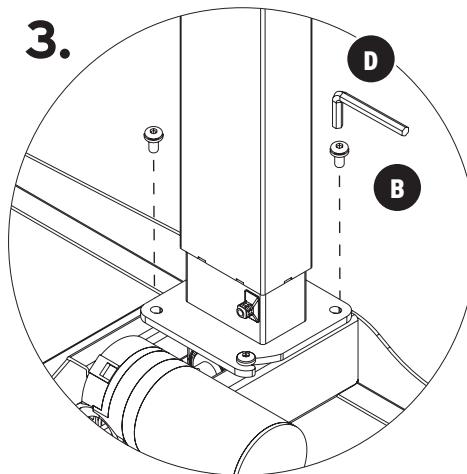


**2.**



Rotate the column, sliding pre-installed "B" bolts on the cross beam into the channels on the lifting column plate.

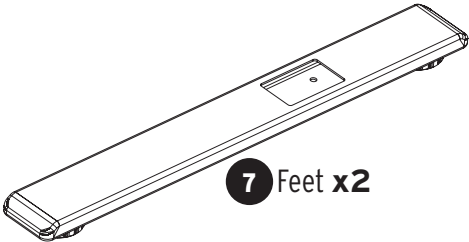
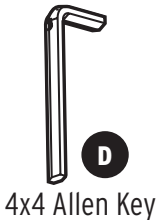
**3.**



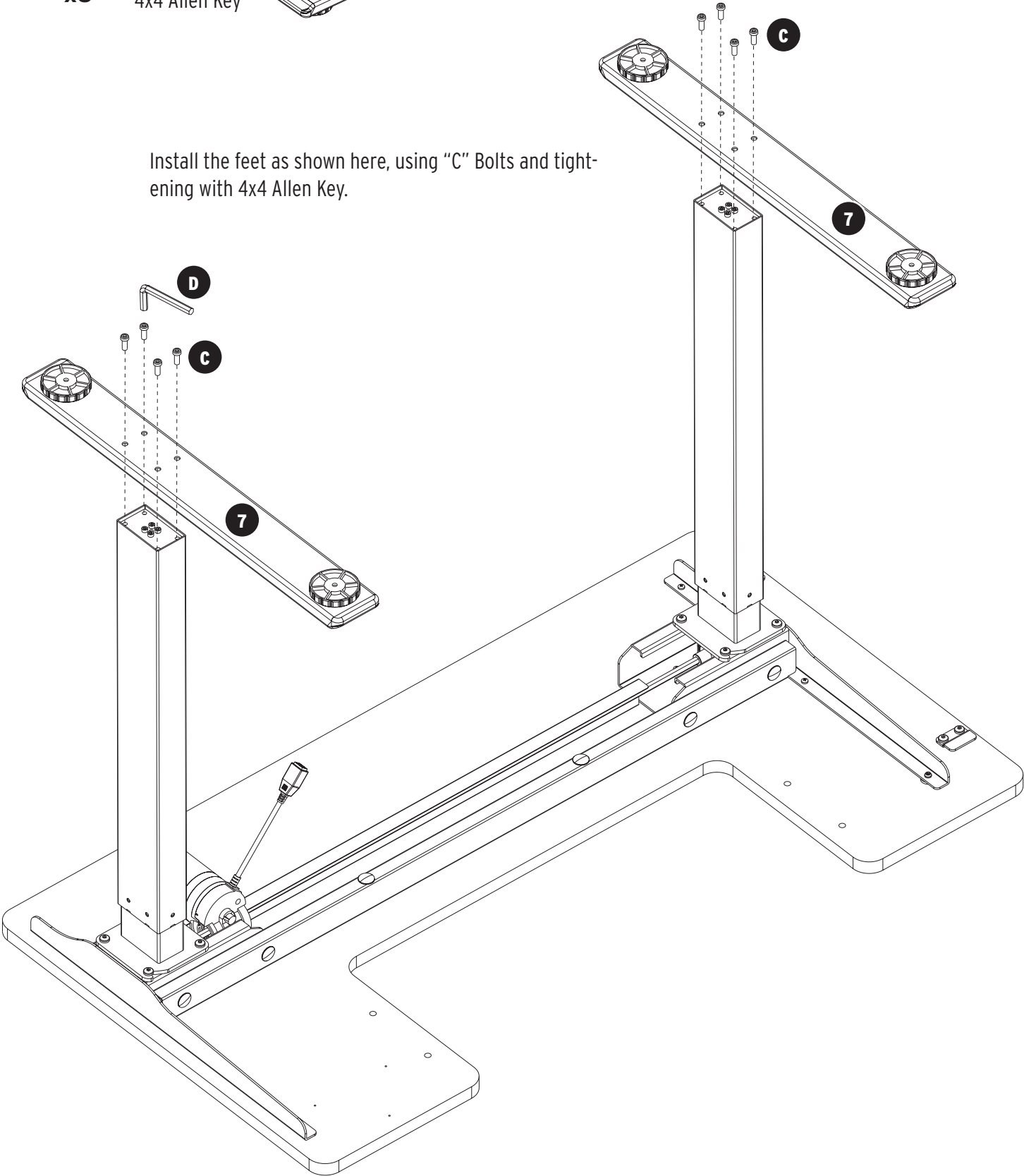
Using the 4x4 Allen Key, tighten down the partially-installed "B" Bolts, and add 2 additional "B" Bolts as shown at left.

**Repeat for the 2nd leg.**

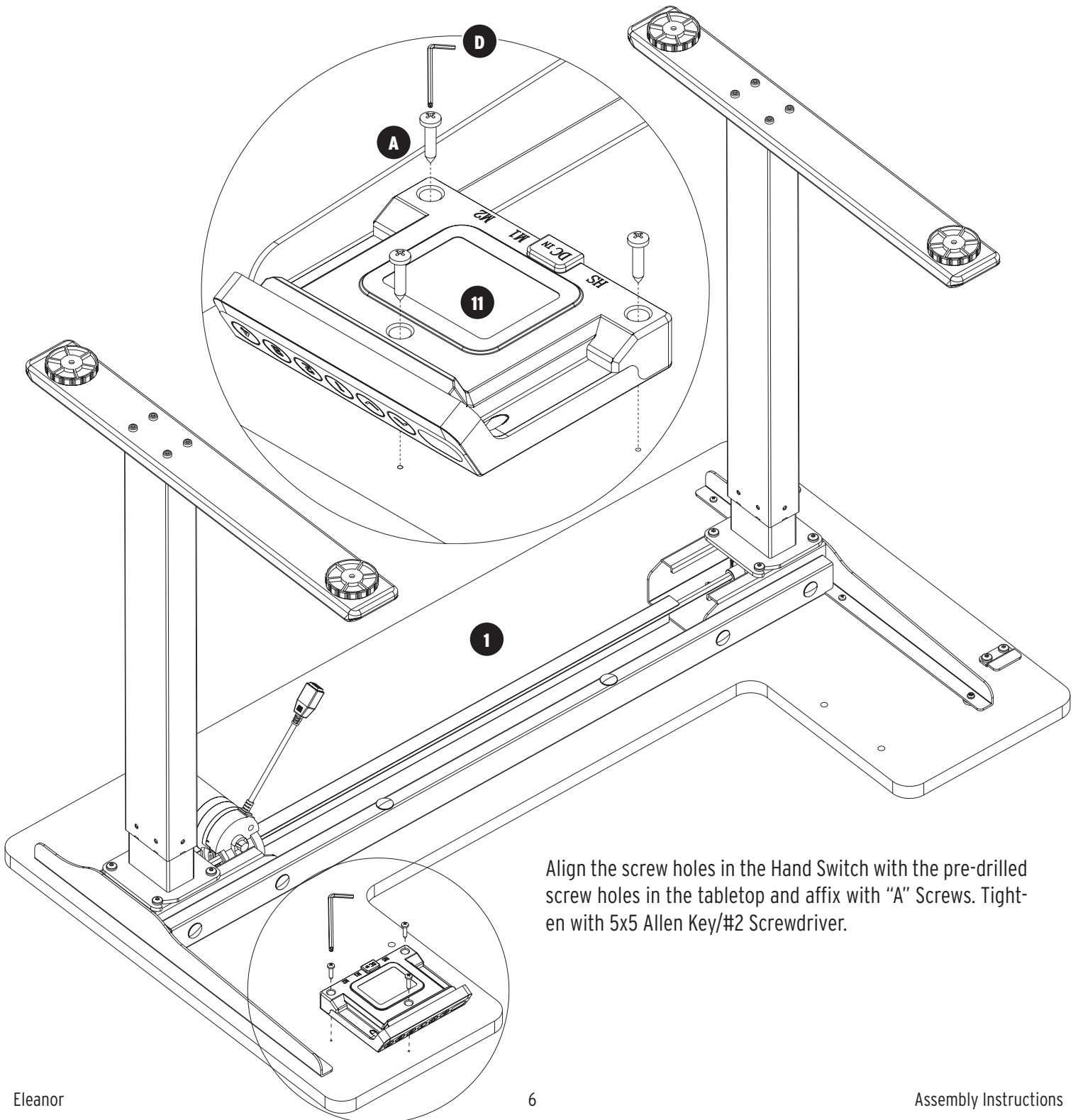
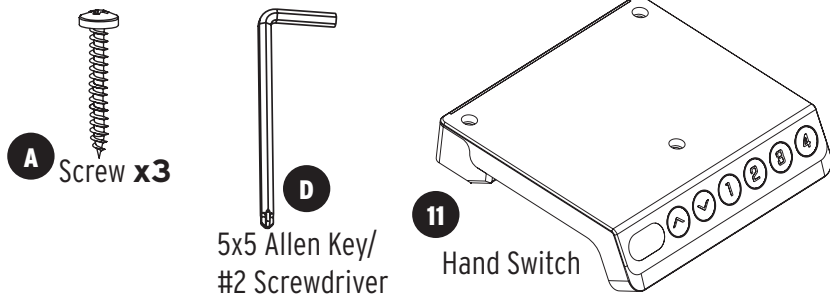
# Step 2: Attaching the Feet



Install the feet as shown here, using "C" Bolts and tightening with 4x4 Allen Key.

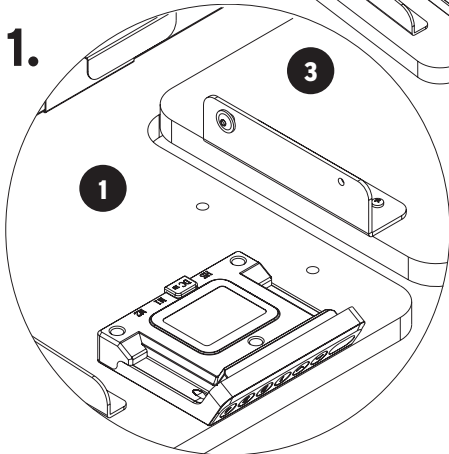
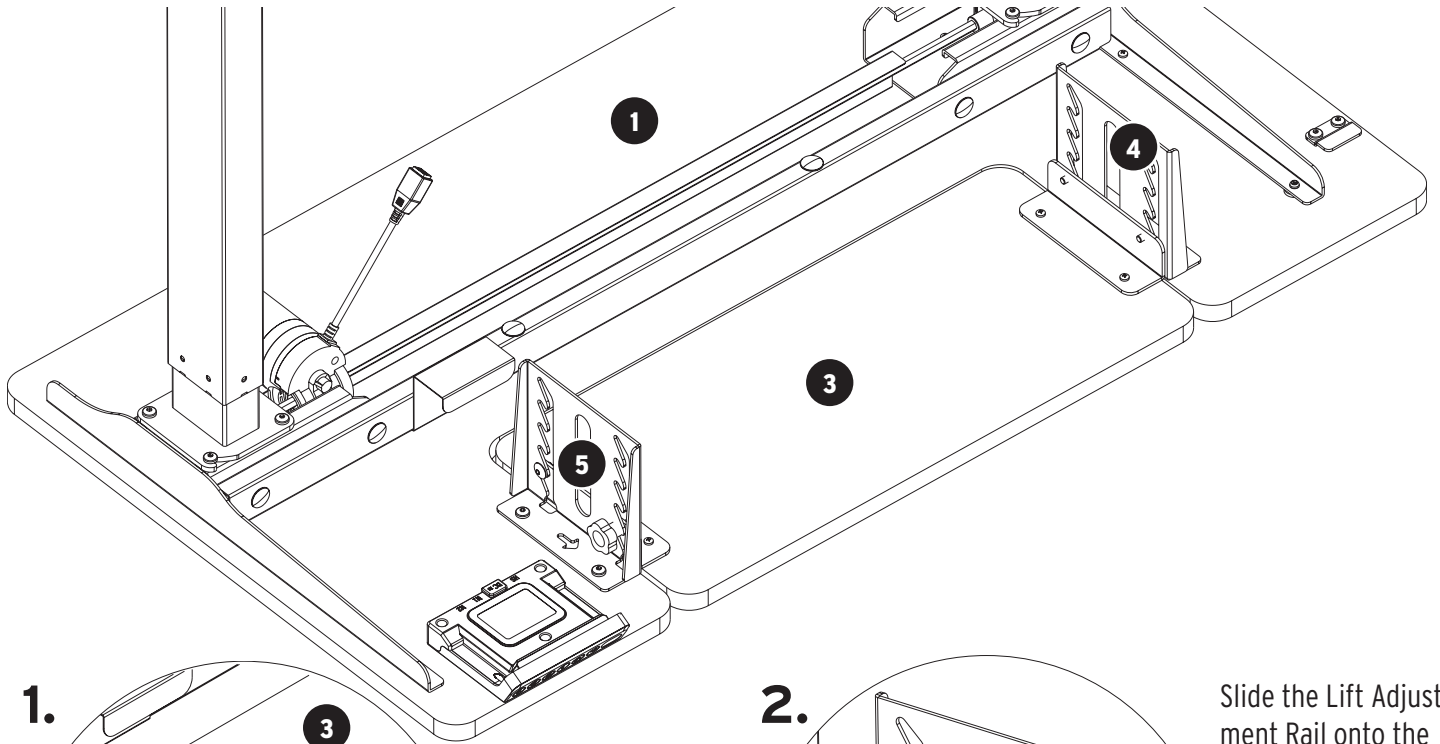
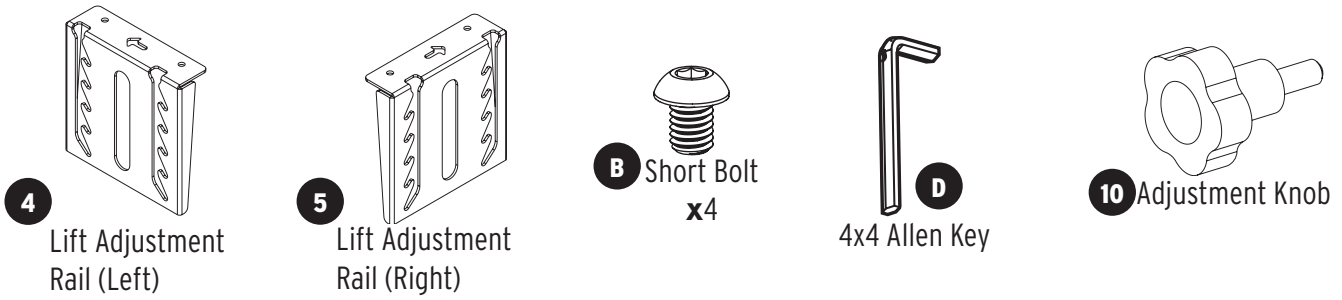


# Step 3: Attaching the Hand Switch

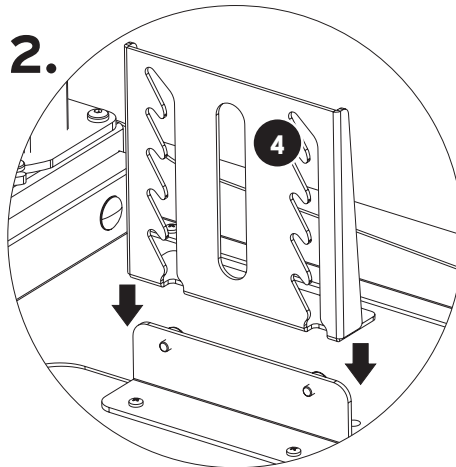


Align the screw holes in the Hand Switch with the pre-drilled screw holes in the tabletop and affix with "A" Screws. Tighten with 5x5 Allen Key/#2 Screwdriver.

# Step 4: Installing the Adjustable Platform

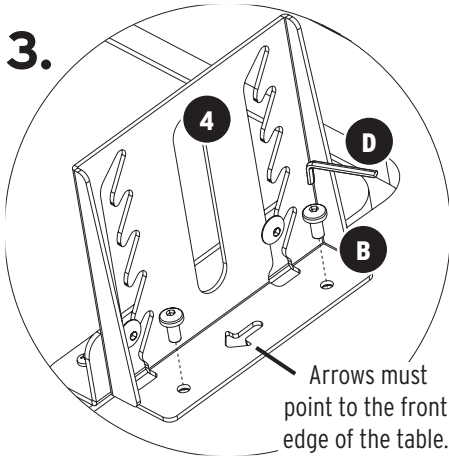


**1.** Place the Manual Lift Platform in the notch of the table so that the hole on the pre-installed bracket **without** a pre-installed bolt is positioned as shown.



**2.** Slide the Lift Adjustment Rail onto the pre-installed bracket on the Manual Lift Platform, fitting the pre-installed bolts into the teeth on the Lift Adjustment Rail.

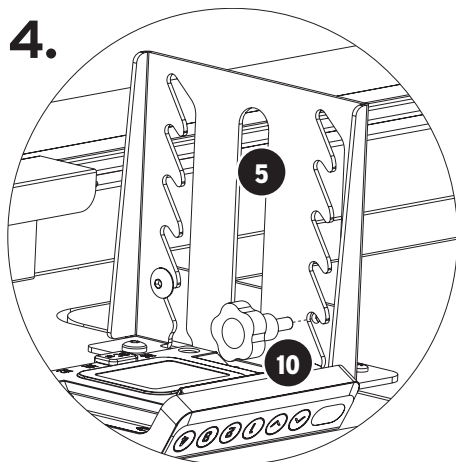
Repeat on other side (Part "5").



**3.** With the bolts on the brackets fitted into the teeth on the Lift Adjustment Rail, attach to tabletop with "B" Bolts, tightening with "D" 4x4 Allen Key.

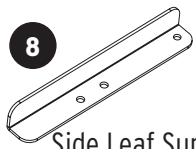
Repeat on other side (Part "5").

Arrows must point to the front edge of the table.

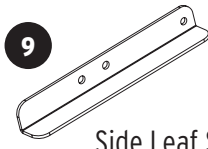


**4.** Insert the Adjustment Knob through the Lift Adjustment Rail (Right) (Part "5") and platform bracket. Tighten to secure the lift platform in position.

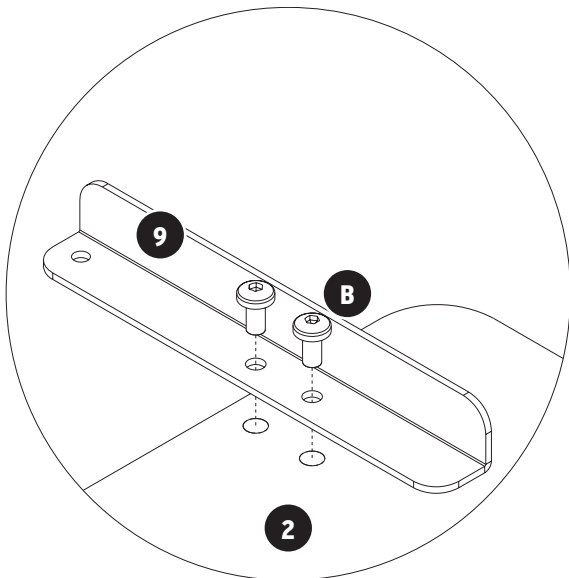
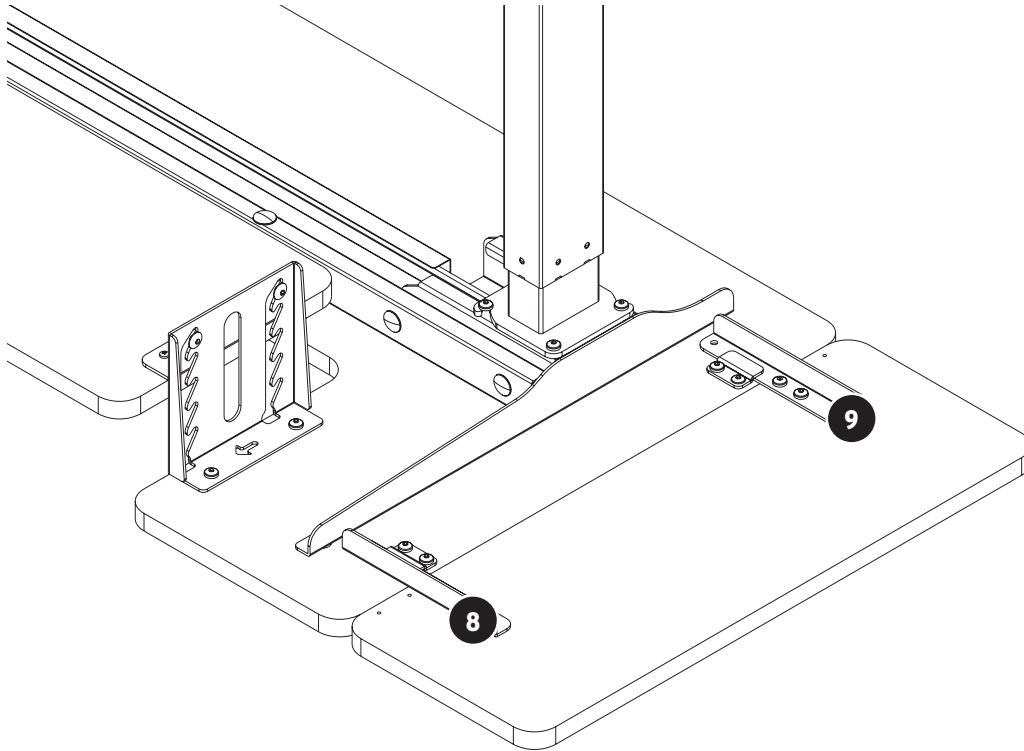
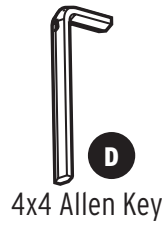
## Step 5: Attaching the Side Leaf



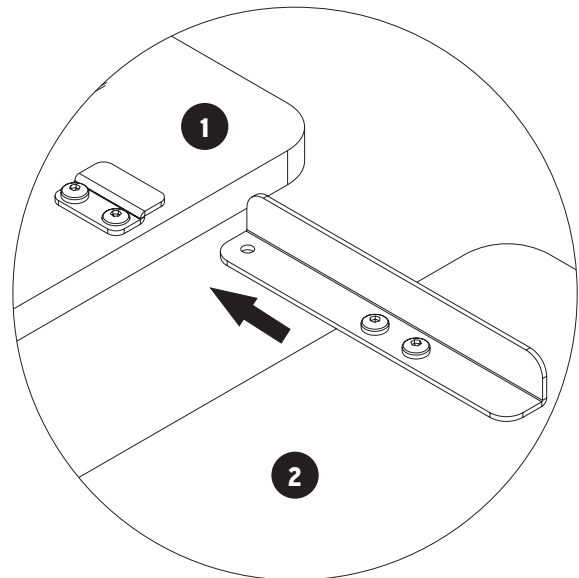
Side Leaf Support Plate (Left)



Side Leaf Support Plate (Right)



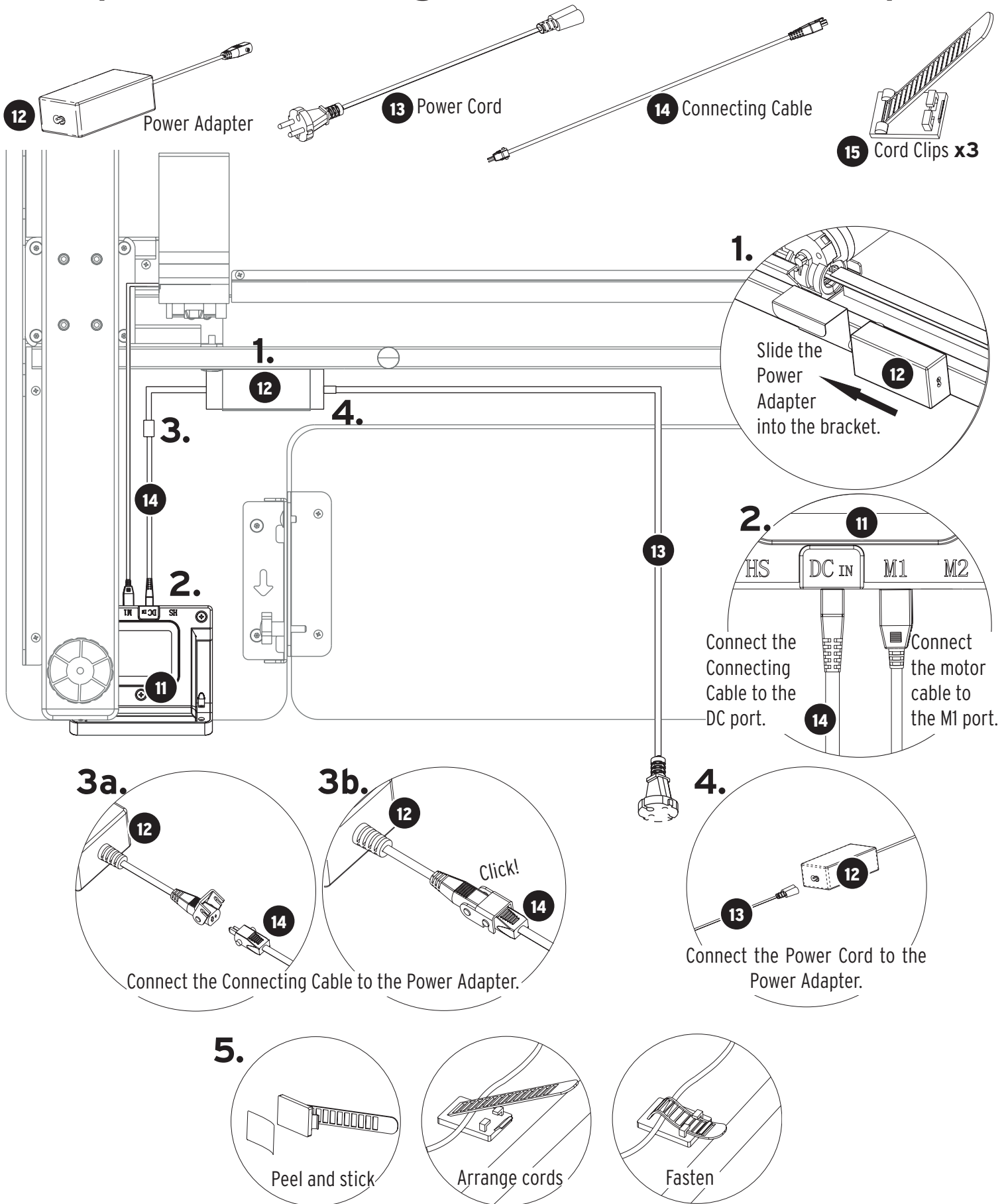
Attach the Side Leaf Support Plates to the Side Leaf (Panel 2) as shown, using "B" Bolts, tightened with 4x4 Allen Key. **Make sure that the Support Plates are positioned as shown, with the pre-drilled hole overhanging the edge of the Side Leaf.**



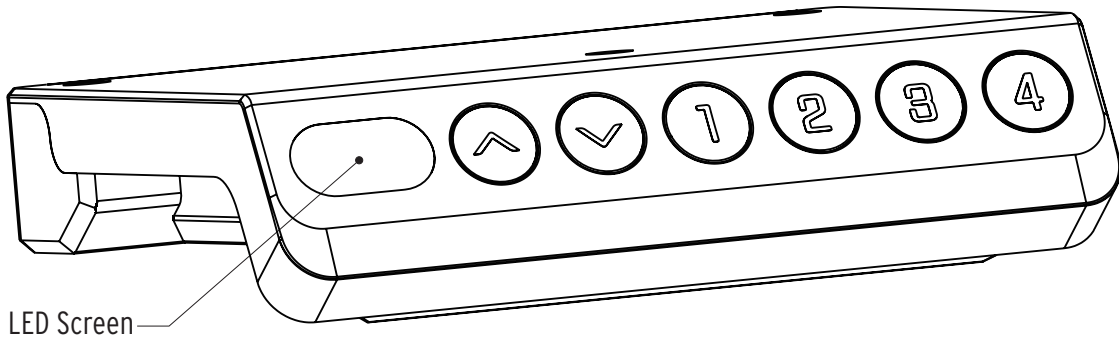
Slide the Support Plates into the pre-installed brackets on the main tabletop (Panel 1) as shown. To remove leaf, simply pull the side leaf out gently but firmly and without twisting.



# Step 5: Connecting the Cables and Adapter



# Electric Lift Use Instructions



▲	Up Button (moves the table up)
▼	Down Button (moves the table down)
1	Position 1: first user-programmed saved position
2	Position 2: second user-programmed saved position
3	Position 3: third user-programmed saved position
4	Position 4: fourth user-programmed saved position

## Memory Presets:

- Using the ▲ and ▼ keys, adjust the height of the table to your liking.
- Press and hold the "1" button for 5 seconds. A beep will sound, and the LED Screen will display "S-1." Your preset table height is now saved.
- Repeat for remaining presets as desired.

**Reset Function:** If the table is malfunctioning or an error code appears, you may need to reset the controls.

- Press and hold the "3" and "4" keys together for 5 seconds.
- The LED Screen will display "RST." Press and hold the ▼ key until the table reaches its lowest point and rebounds slightly.
- The LED Screen will display "BOT" indicating that the table has been moved to its lowest position and controls have been successfully reset.

**Anti-Collision Sensitivity Adjustment:** Your table is designed to rebound immediately if it encounters an obstacle while raising or lowering. If your table stops unexpectedly without coming into contact with an obstacle, or if it does *not* stop when coming into contact with another object, the anti-collision sensitivity level may need to be changed.

- Press and hold the ▲ and ▼ keys together for 5 seconds.
- There are 4 sensitivity levels:
  - A-0 = OFF
  - A-1 = Low Sensitivity
  - A-2 = Medium Sensitivity
  - A-3 = High Sensitivity
- Repeat holding down the ▲ and ▼ keys for 5 seconds to move through the sensitivity settings.

## Troubleshooting:

LED Screen shows E01 or E02	Indicates motor fatigue. Allow the desk to rest for 15 minutes before operating again.
Unknown code(s) displayed. The table does not respond to holding down the ▼ key and will not enter reset mode	Confirm that all cables are properly connected and undamaged. Unplug the table for at least 10 seconds. When plugged back in, LED Screen should display "RST" or "rSt." Hold the ▼ key down to enter Reset Mode.
Table rises unexpectedly slowly, slides down on its own, or frequently enters Reset Mode	Check that the table is not overloaded - weight capacity for this table is 110 lbs.
All other issues	Please contact Arrow Sewing Customer Service at 1-800-533-7347, ext. 1 during normal business hours.



# LIMITED WARRANTY

## Arrow Classic Sewing Furniture Warranty

**WHAT THIS WARRANTY COVERS:** Arrow Companies, LLC (Arrow) provides limited warranty coverage to the original purchaser of this product against defects in materials or workmanship of Arrow furniture components for a period of five years from the date of purchase on the frame and motor, and two years on the controller, switch, electronics and other mechanisms. As used in this Warranty, "defect" means imperfections in components which substantially impair the utility of the product. This Warranty gives you specific legal rights, and you may also have other rights which vary from state to state.

**HOW TO GET SERVICE:** Simply contact Arrow at 1-800-533-7347 or CS@ArrowSewing.com. When you request warranty service, you must also present proof of purchase documentation, which includes the date of purchase (detailed receipt), and photos of the product. Arrow will replace any defective part (at its sole option), excluding labor. Replacement parts will be warranted for only the remaining period of the original Warranty.

Replacement parts will be shipped freight prepaid on any initial warranty claim during first year of Warranty only. Warranty applies only to defects confirmed by Arrow Companies, LLC and will be replaced or repaired at Arrow's option. In the event parts are no longer available for a warranty claim, customer may receive brand new cabinet at a price equal to 60% off the MSRP of a current comparable model.

**WHAT'S NOT COVERED:** There is no Warranty coverage for defects or conditions that result from the following: Failure to follow product assembly instructions, information or warnings; misuse or abuse; intentional damage; fire, flood, alteration or modification of the product; use of the product in a manner inconsistent with its intended use; any condition resulting from incorrect or inadequate maintenance, cleaning, care or neglect; cuts or scratches; caster damage as a result of moving furniture fully loaded or with locked casters; damage resulting from electrical surge or lightning; or use in commercial or education environments. Arrow Sewing Furniture is designed for residential use only.

ARROW SHALL HAVE NO LIABILITY for ANY INCIDENTAL OR CONSEQUENTIAL DAMAGES OF ANY KIND and all such damages are EXCLUDED FROM THIS WARRANTY, such as loss of use, disassembly, transportation, labor or damage to property on or near the product. Some states do not allow the exclusion or limitation of incidental or consequential damages, so the above limitation or exclusion may not apply to you. The Warranty cannot be transferred to subsequent owners or users of the product, and it shall be immediately void in the event the product is resold, transferred, leased or rented to any third party or person other than the original purchaser.

**ADDITIONAL LIMITATIONS:** THERE ARE NO OTHER WARRANTIES APPLICABLE TO THIS PRODUCT. Under the laws of certain states, there may be no implied warranties from Arrow and all implied warranties, INCLUDING ANY IMPLIED WARRANTY OF MERCHANTABILITY OR FITNESS FOR A PARTICULAR PURPOSE are disclaimed where allowed by law. TO THE EXTENT ANY IMPLIED WARRANTIES ARE APPLICABLE, ANY IMPLIED WARRANTIES, INCLUDING ANY IMPLIED WARRANTY OF MERCHANTABILITY OR FITNESS FOR A PARTICULAR PURPOSE, ARE LIMITED IN DURATION TO THE DURATION OF THIS EXPRESS WARRANTY or the minimum period allowed by law, whichever is shorter. Some states do not allow limitations on how long an implied Warranty lasts, so the above limitation may not apply to you. This limited warranty gives you specific legal rights. This limited warranty does not, in any way, affect the rights given to you by law.

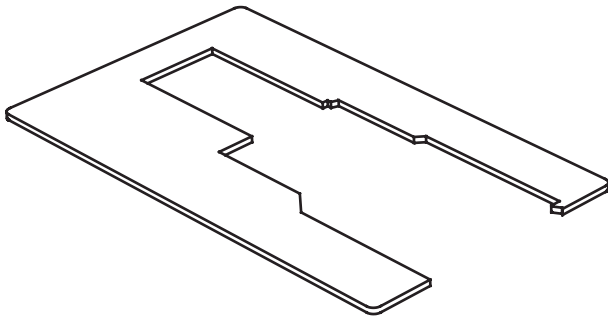
**REGISTER YOUR PRODUCT:** Original purchaser should register the purchase online at [www.ArrowSewing.com/warranty](http://www.ArrowSewing.com/warranty).

# COMPLETE YOUR SEWING STUDIO!

Elevate your sewing experience with Arrow's **Best-Selling** Accessories!

## Custom Sewing Inserts

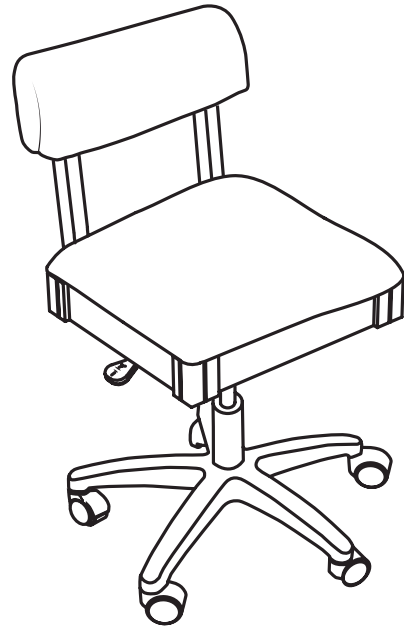
Enhance your sewing experience with a custom acrylic sewing insert! Custom acrylic sewing inserts are designed to fill the gap between your sewing machine and sewing cabinet's lift opening to create a flush, ergonomic surface for flat bed sewing. To ensure a perfect fit, custom acrylic sewing inserts are built specifically for your sewing machine and sewing cabinet combination. Say hello to happy wrists, straighter stitches, and an elevated sewing experience!



Custom Sewing Insert

## Sewing Chairs

Arrow's #1 Rated Height Adjustable Sewing Chair is a must have accessory for your dream sewing room! Cute, comfortable and convenient - our lovable sewing chairs feature vibrant sewing themed patterns, 360° swivel access and lumbar support for long hours at your workstation. Don't look now, but under every seat cushion is a hidden storage compartment to store your notions and patterns! Available in 10 colors to perfectly match your sewing sanctuary!



Height Adjustable Sewing Chair