

ARROW
SEWING CABINETS

AUNTIE
SEWING MACHINE CABINET

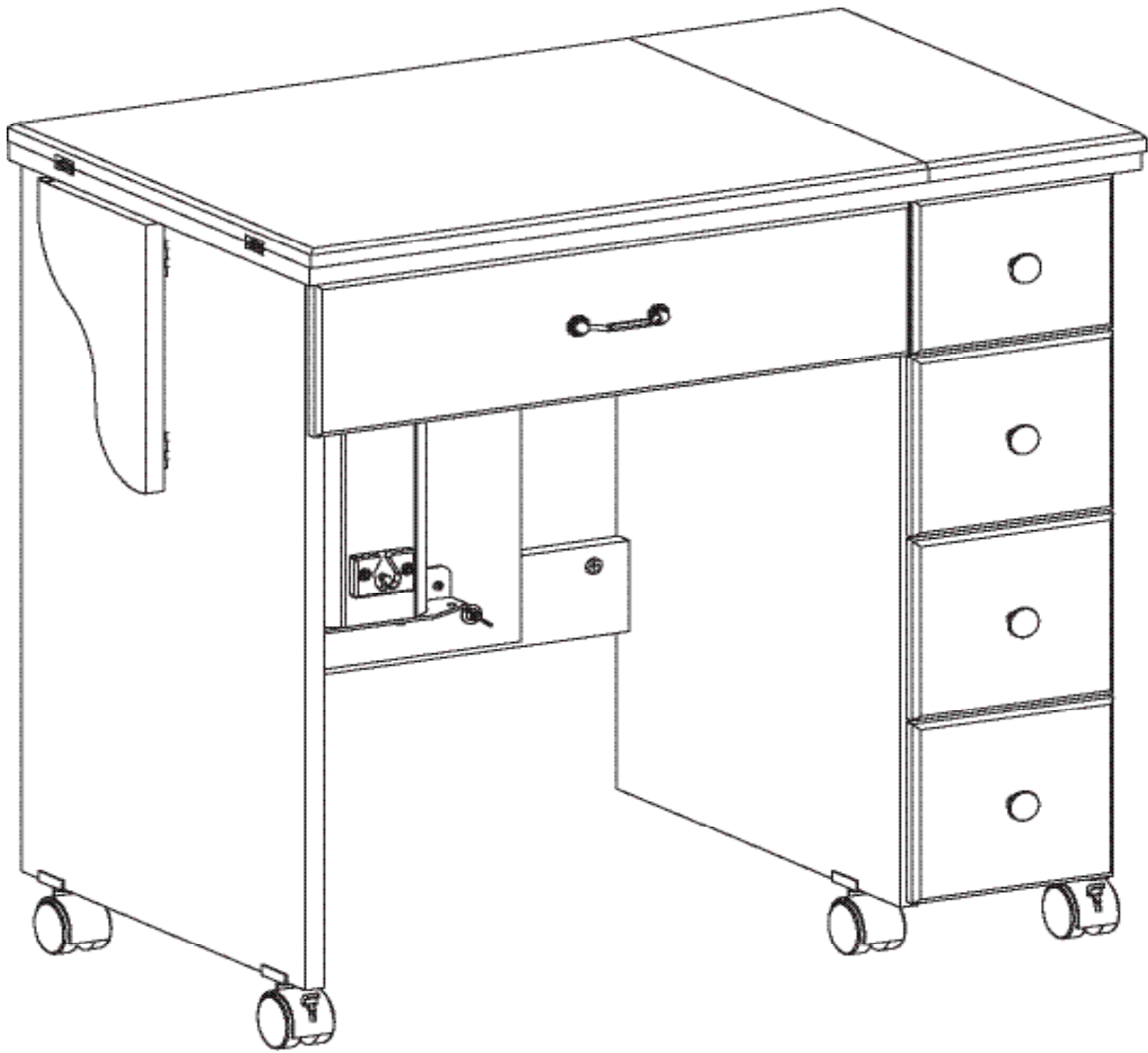
Where Creativity Meets Color!

OWNER'S MANUAL

Assembly Instructions

Model Numbers:

900	Oak
901	White
903	Black



Piece of cardboard and styrofoam need to be saved for Step 14!

IMPORTANT: Please read these instructions before assembling!

READ THIS PAGE FIRST

**{WARNING TRIANGLE} WARNING:
CHOKING HAZARD – Small parts. Not for children under 3 years.
Please retain this information for future reference.**

ARROW WARRANTY

Thank you for your purchase of an Arrow Sewing Cabinet!

Thank you for your purchase! Our products have a **three-year warranty from the date of shipment from our facility that covers manufacturer defects** plus a **15 day warranty for any shipping damages**.

Register online at www.arrowcabinets.com/warranty
-get a bonus 1 year of warranty!

The warranty covers parts and freight for the first year and parts only for any claims after the first year. Freight after the first year of ownership will be the responsibility of the customer.

The warranty covers all manufacturer defects but does not cover damage caused by abuse, misuse, alteration, poor assembly, accident or neglect of the product. The warranty does not cover damage as a result of moving the cabinet fully loaded or damage caused by moving the cabinet with locked casters.

Under the terms of this warranty the repair and replacement of any parts shall be at the discretion of the company or their designated representatives.

Replacement Part Shipping Policy:

All replacement parts shipping prepaid freight must **ship out at the same time**. Please help us in this endeavor by reviewing ALL parts in ALL boxes for damage before calling or e-mailing us to report damage. Warranty covers shipping cost of replacement parts 1 time only within the first year of ownership. Additional warranty parts requests will be shipped at the customer's expense.

Register online at www.arrowcabinets.com/warranty

VISIT WWW.ARROWCABINETS.COM FOR ASSEMBLY VIDEOS, PICTURES AND FREQUENTLY ASKED QUESTIONS.

FOLLOW US ON FACEBOOK AND CHECK OUT OUR COOL CONTESTS!

If you have any questions, please call or email us at:

1-800-533-7347
cs@arrowcabinets.com

Check out our website for pictures and frequently asked questions at:
www.arrowcabinets.com

Notice to Customer:

Before beginning assembly, remove all parts from the carton. Please review the illustrations below to determine that all parts are Included.

For assembly or operating assistance, or to report any missing or damaged parts, you may call or write to:

cs@arrowcabinets.com

1-800-533-7347

Arrow Cabinets

P.O. Box 307, Delavan, WI 53115

TO ORDER REPLACEMENT PARTS CALL

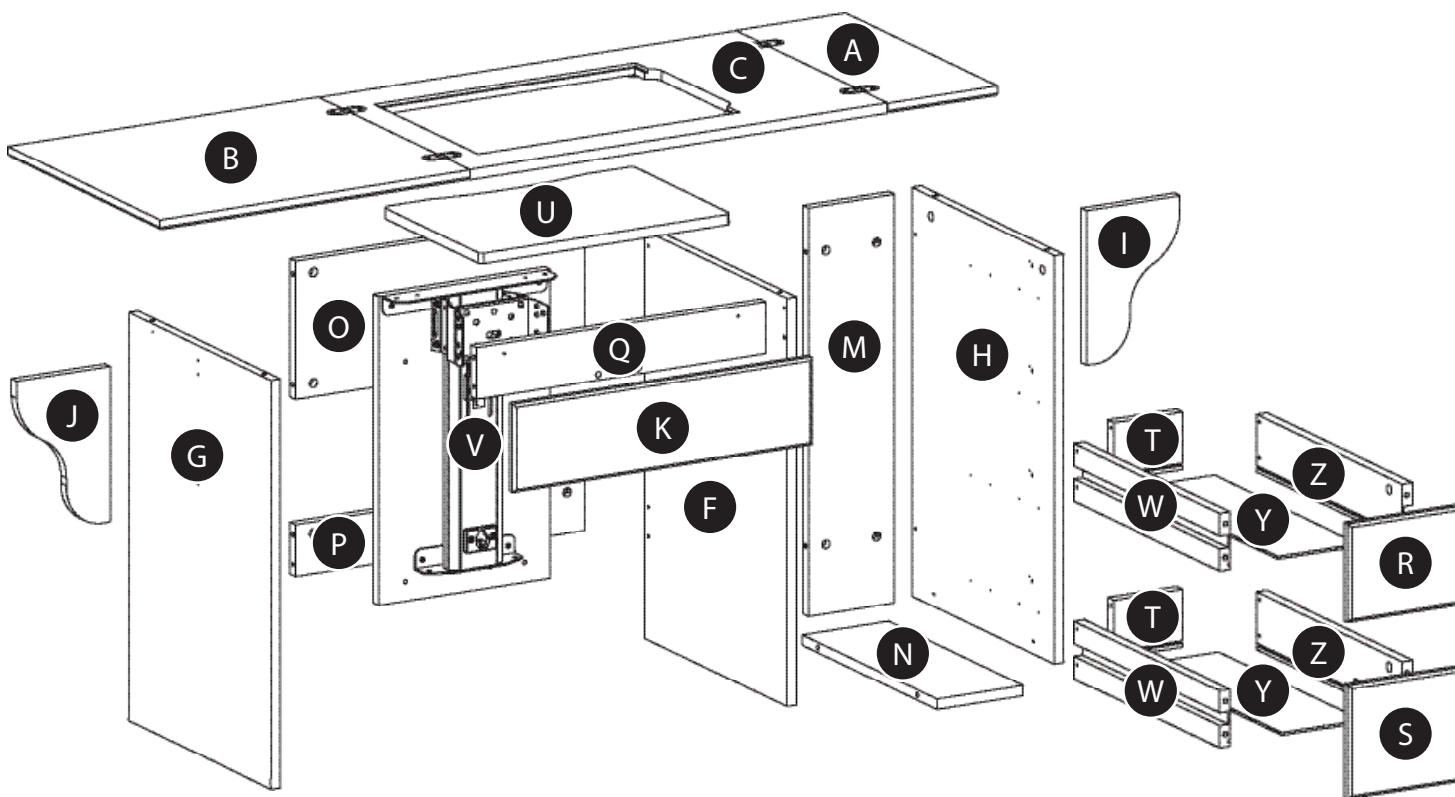
1-800-533-7347

NOTE: To assure proper handling of replacement parts please include the following information:

- Model Number of Unit - 900 (Oak)
901 (White)
903 (Black)
- Production ID Number
- Number of Part Required
- Your Name, Address, and Phone Number

Wooden Materials

Parts are labeled with capital letters. To reference letters, turn to the Wood Parts List in the back of your manual.

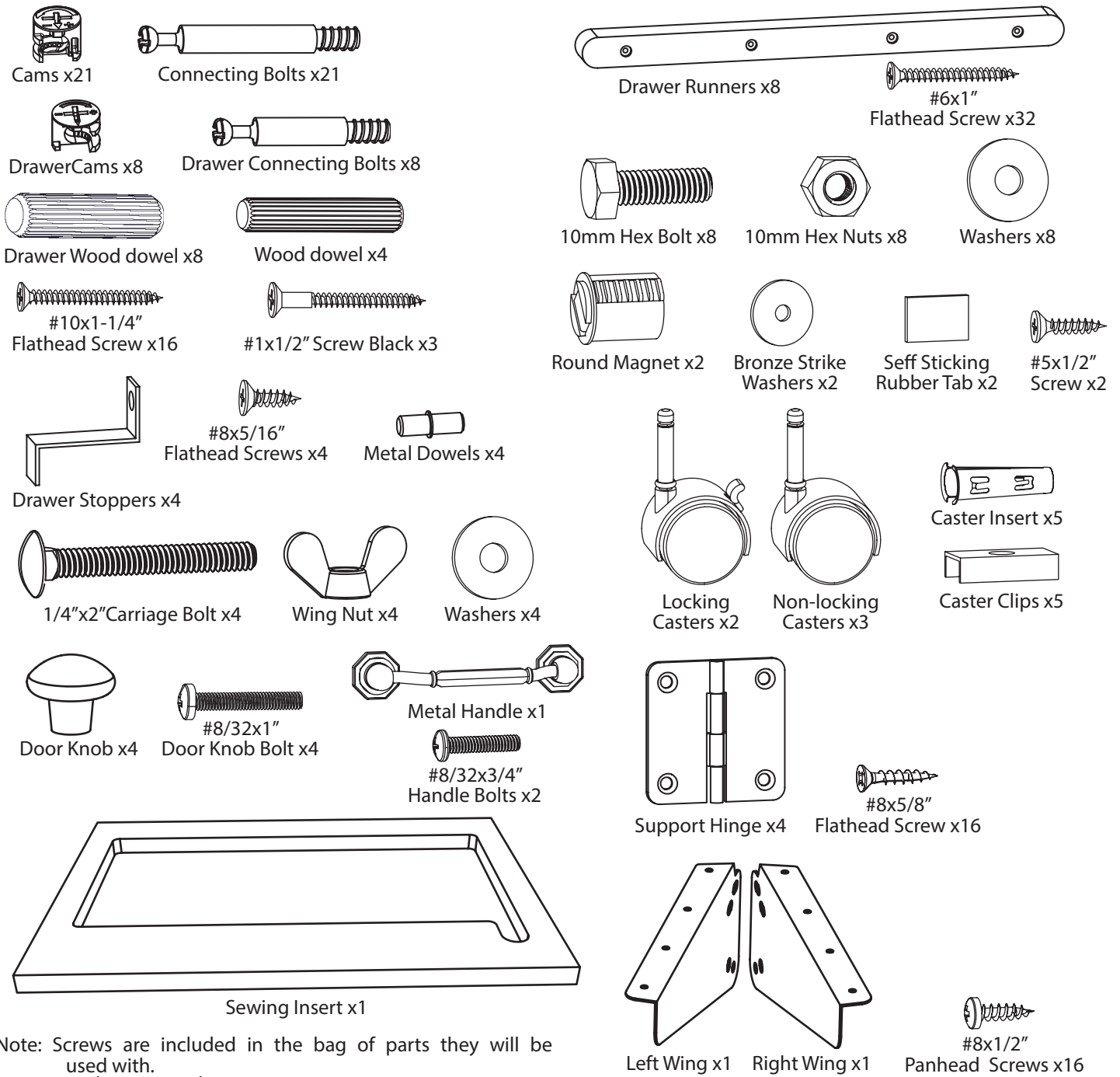


- | | | | |
|---------------------------|-----------------------------|---------------------------|-------------------------------|
| A Right Leaf | I Right Leaf Support | P Back Brace | Z Drawer Side Right x4 |
| B Left Leaf | J Left Leaf Support | Q Front Brace | W Drawer Side Left x4 |
| C Top | K Front | U Platform | Y Drawer Bottom x4 |
| F Partition | M Compartment Back | R Drawer Top Front | |
| G Left Side Panel | N Compartment Bottom | S Drawer Front x3 | |
| H Right Side Panel | O Back | T Drawer Back x4 | |

If any of these parts arrived damaged, please call us at 1-800-533-7347 and we will send a replacement part out.

For additional strength dab wood glue on tip of screws before attaching.

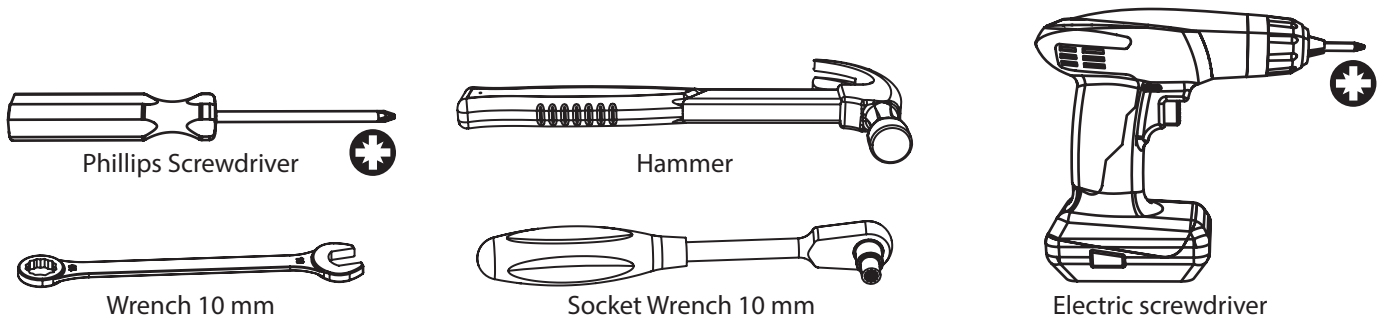
Hardware Included



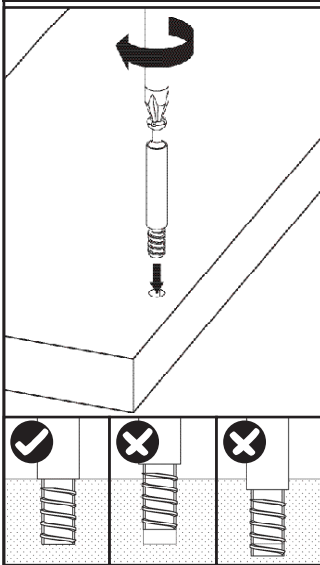
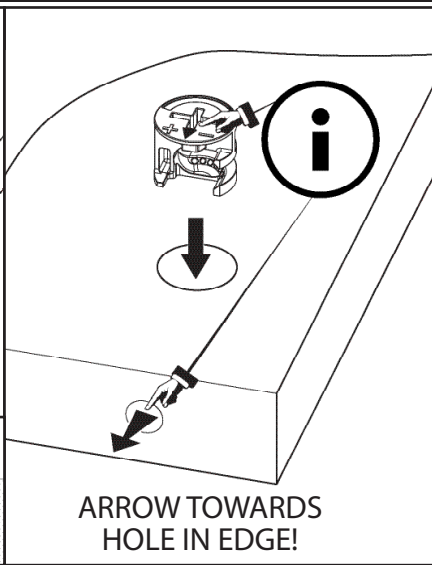
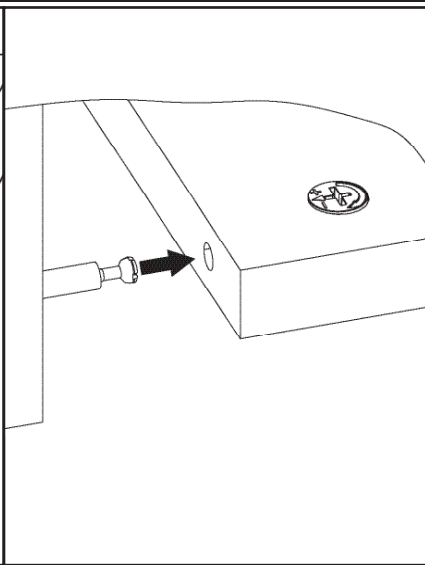
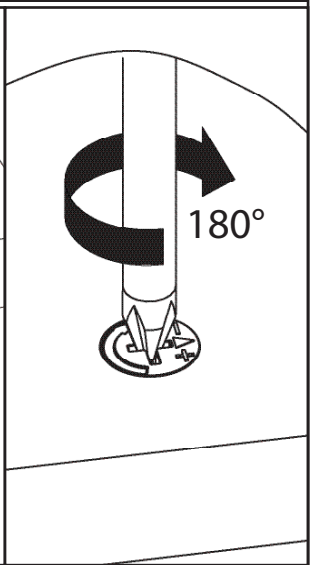
Note: Screws are included in the bag of parts they will be used with.
 *Items not drawn to scale.



Tools required



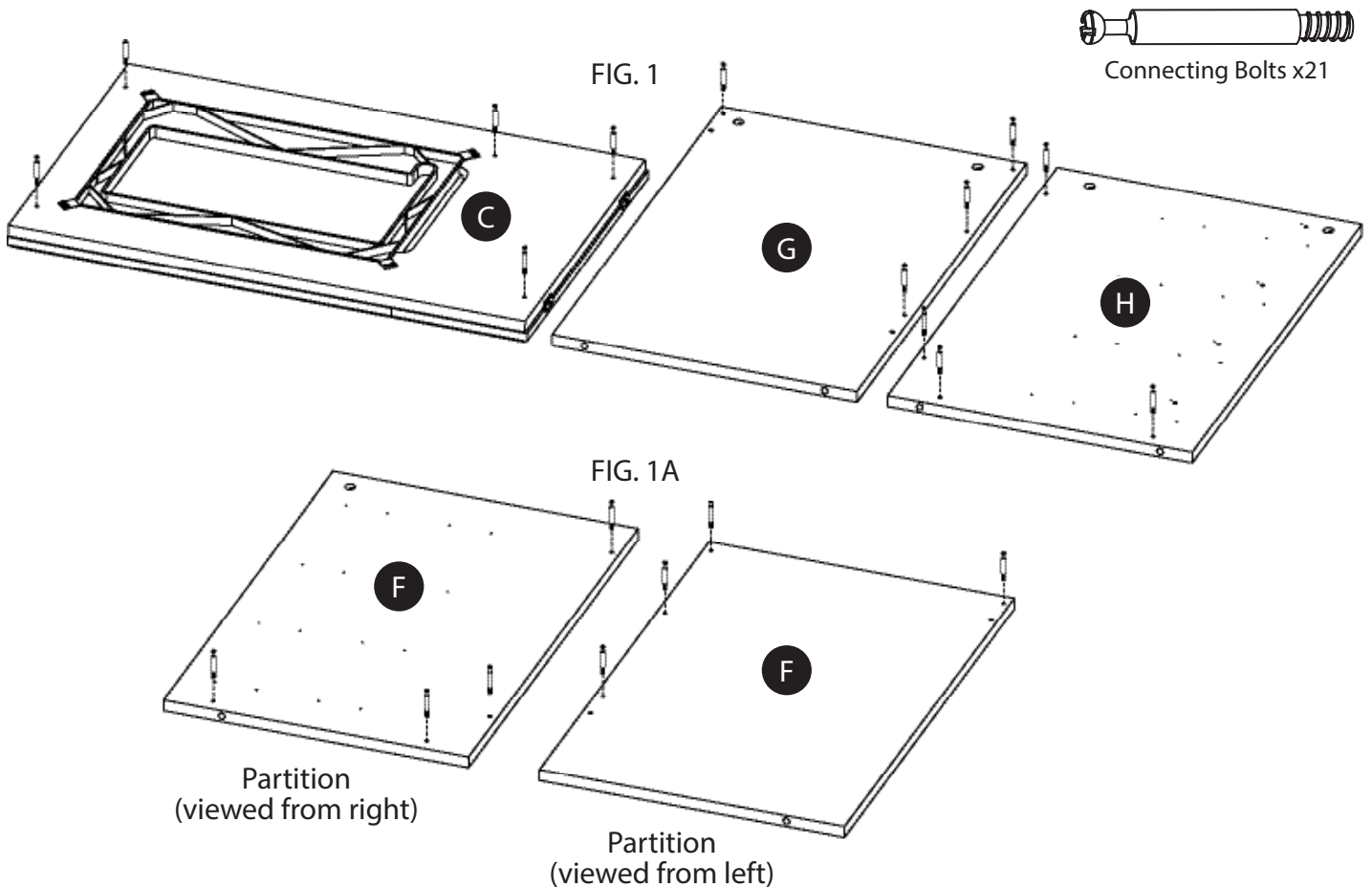
Understanding How the "ARROW-LOC" Cam Fastener Works

	 <p>ARROW TOWARDS HOLE IN EDGE!</p>		 <p>180°</p>
<p>Position bolt in pre-drilled hole and turn until tight.</p>	<p>Press cam into pre-drilled hole until flush with surface.</p>	<p>Insert bolt through pre-drilled hole in edge of panel.</p>	<p>To lock, rotate cam until tight, using screwdriver.</p>

Cabinet Assembly

Step 1. Place Top (A, B, C), Partition (F) and Left and Right Sides (G & H) on a flat protected surface to prevent scratches. Thread connecting bolts (21

total) into pre-drilled holes (as shown in FIG. 1 and above). Turn Partition (F) over and thread in the remaining bolts as shown in FIG. 1A.



Step 2. Place parts shown below on a flat surface and install Cams (21 total) into the holes provided (shown in FIG. 2) in the cabinet parts shown below, pushing a cam into each hole until flush with the surface. The arrow on the Cams should be turned (using a regular screwdriver or Allen

Key Provided) to face the hole in each edge where the Connecting Bolts will enter. See top of page 3 for installation of cams.

After attaching the runners, insert the wood dowels (4) in the Front Brace (Q) & Back Brace (P), shown in FIG. 2A.

FIG. 2

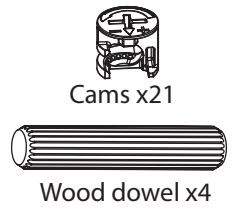
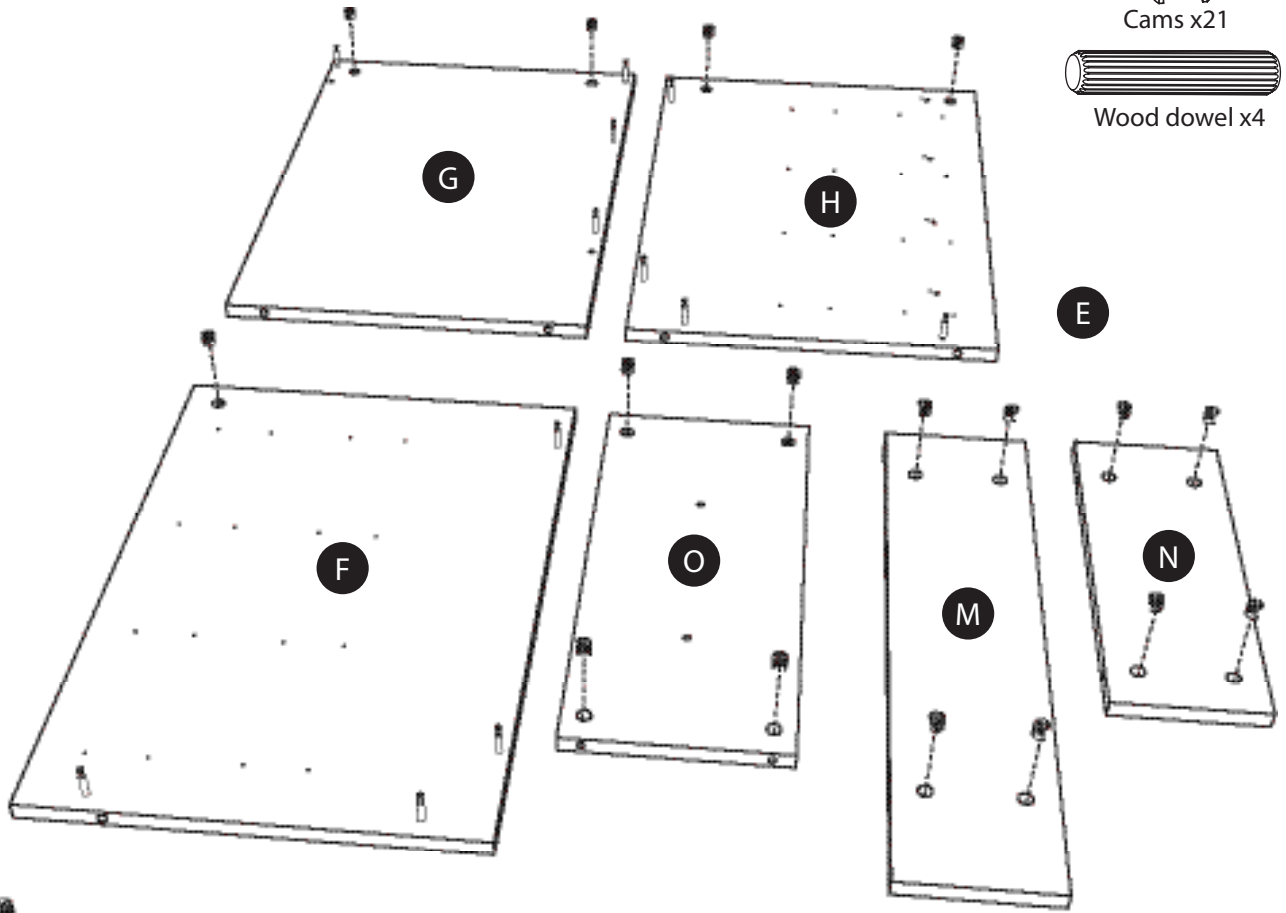
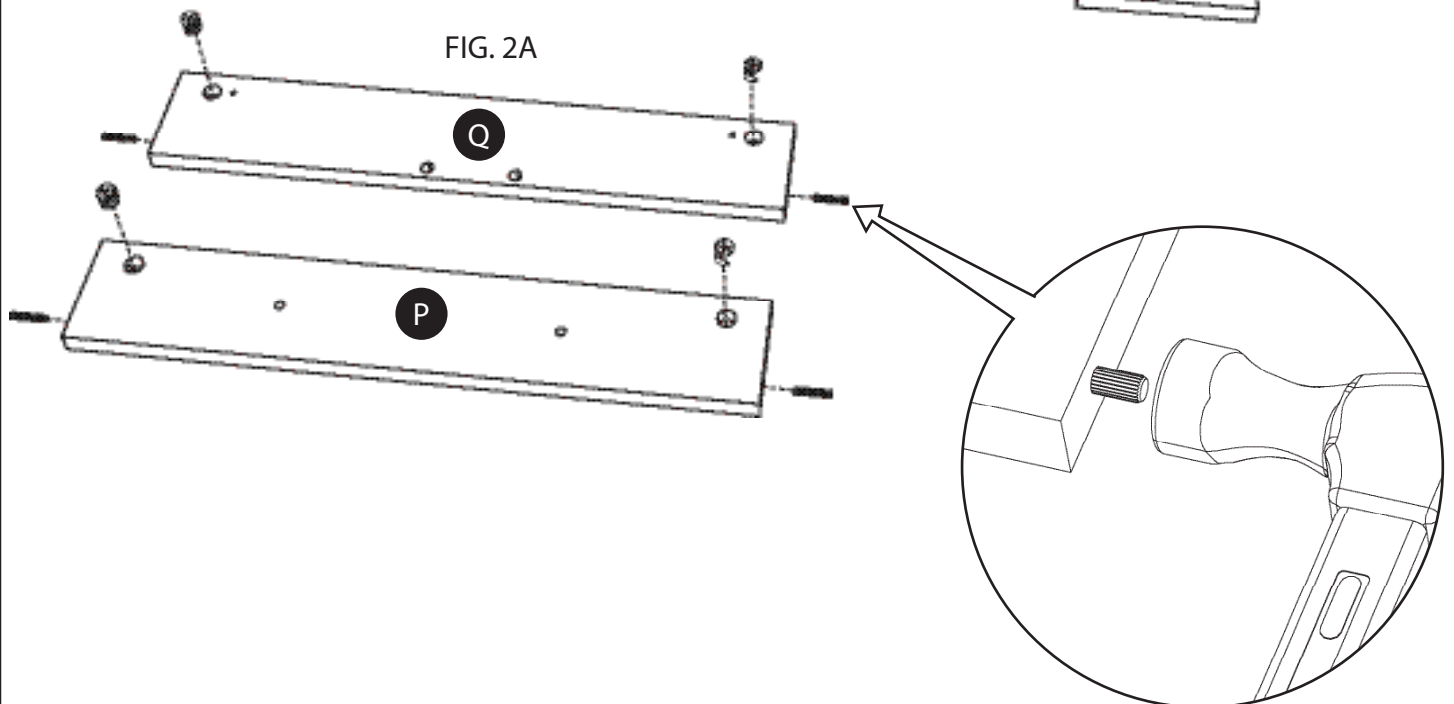


FIG. 2A

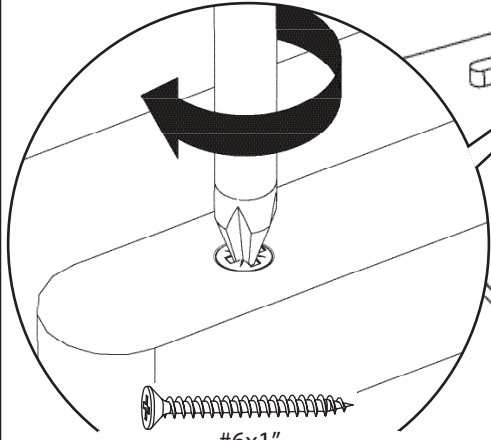


Step 3. Attach the plastic brown Drawer Runners by using #6x1" Flathead Screws (x32) to the Partition (F) & Right Side (H) as shown In FIG. 3.

DO NOT OVER TIGHTEN. If the brown plastic around the screw holes turns white, you have over tighten and the drawers won't fit!

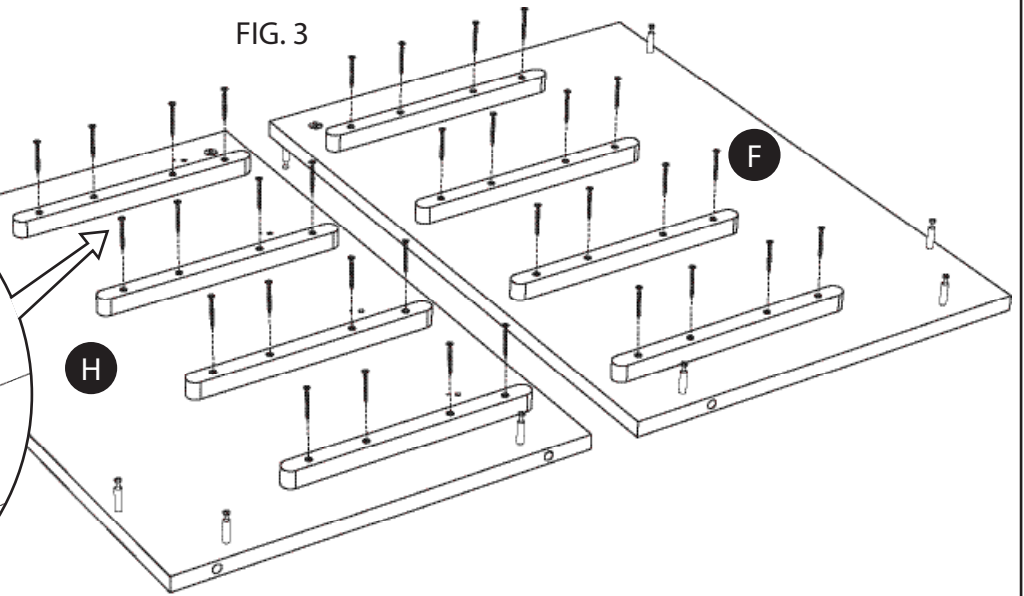


DO NOT OVERTIGHTEN #6x1" Flathead Screws. Make sure the screw heads are flush with plastic.



#6x1" Flathead Screw x32

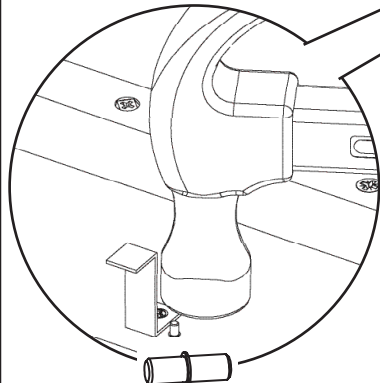
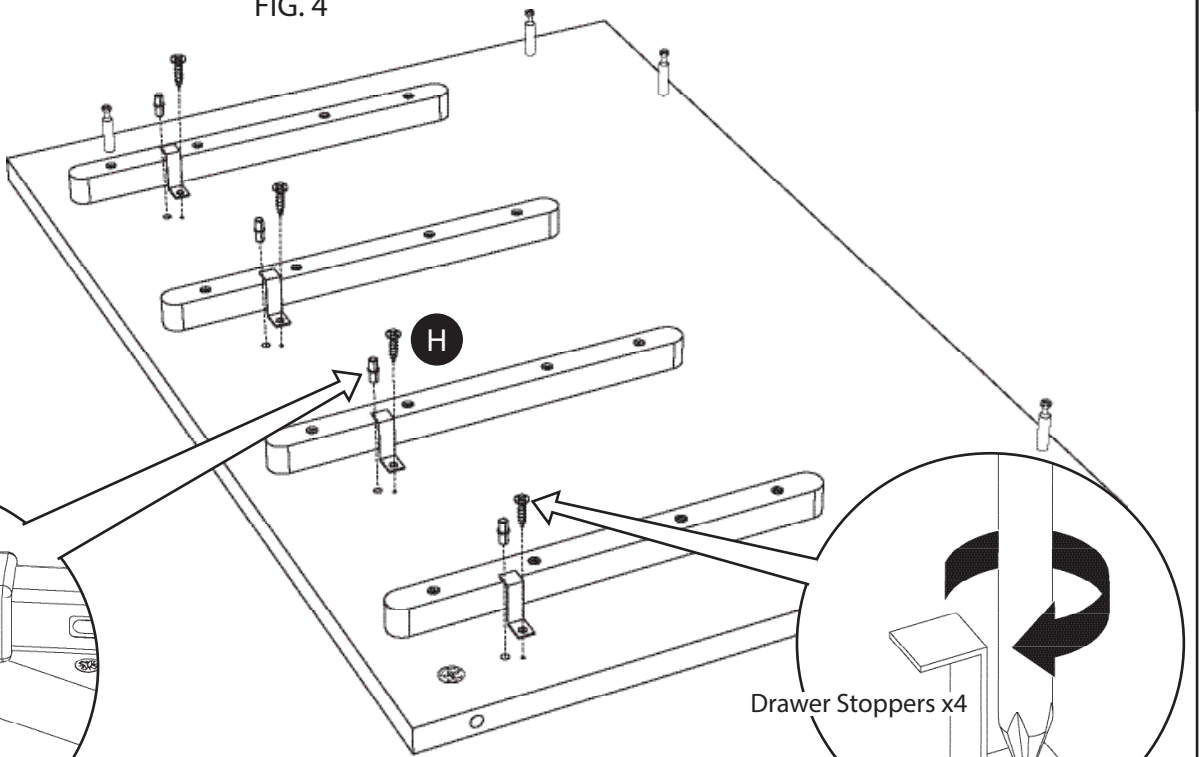
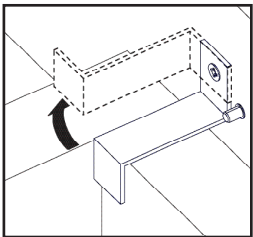
FIG. 3



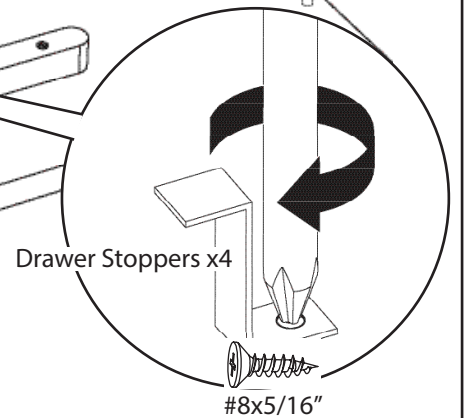
Step 4. Screw Drawer stoppers (4 total) into Right side panel (H) above drawer runners using #6x5/8" flathead screw (x4). DO NOT tighten the

screws completely, leave 1/4" for up and down swivel of the drawer runner. Insert Metal dowel (x4) into pre-drilled hole next to drawer stops.

FIG. 4



Metal Dowels x4

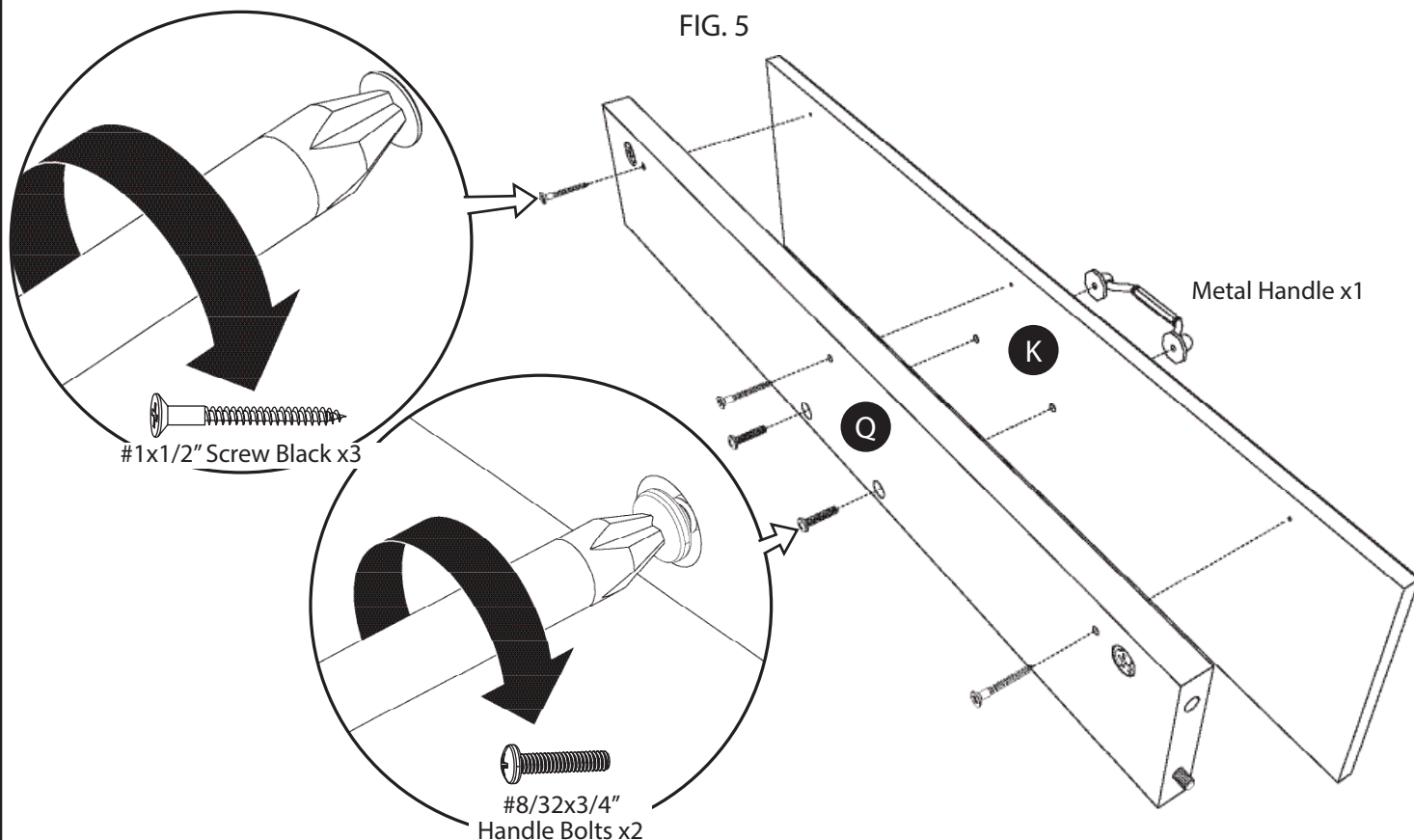


Drawer Stoppers x4

#6x5/8" Flathead Screws x4

Step 5. Attach Front Brace (Q) on back side of Front (K) using 1-1/2" Screws (x3) as shown In FIG. 5. The Front Brace (Q) will overlap the Front (K) slightly, the taped edge on the Front Brace

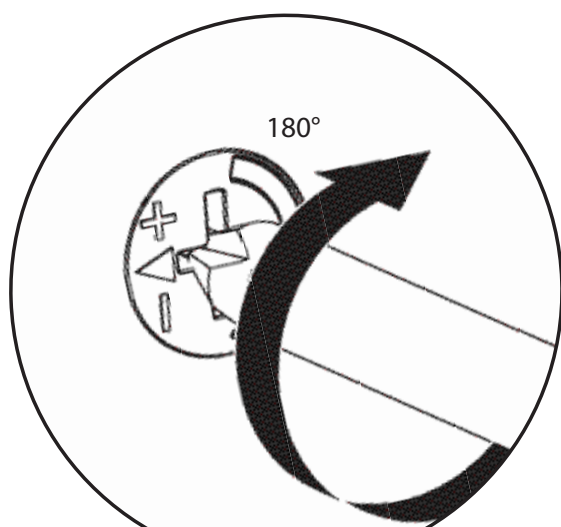
(Q) will face down while rough edge will face up. Attach the Handle with 3/4" Bolts (x2) included in bag to the Front (K).



Step 6. Assembly of unit will be upside down. FIRST attach Back (O) to Left Side (G) to help support the panel during assembly. Turn cams to locked position.

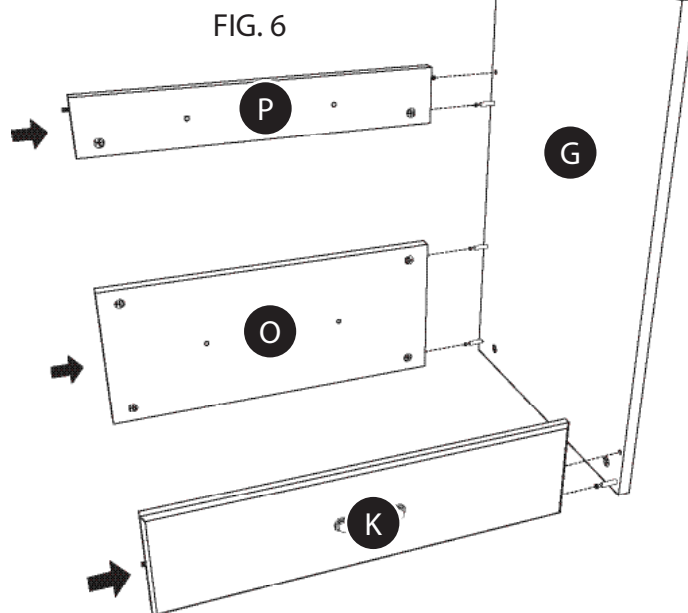
Brace (P) to Left Side Panel (G) by guiding them on to the connecting bolts and wood dowels in the Left Side Panel. As each piece is added turn cams to locked position to ensure a tight lasting fit. See top of page 3 for details on locking the cams. See FIG 6.

Next attach Front & Front Brace (K & Q) and Back



Remember to tighten the cams down on ALL pieces once completed!

*ASSEMBLY UPSIDE DOWN

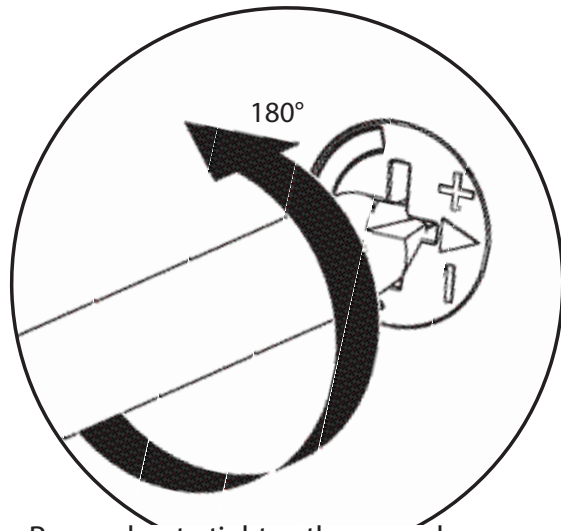


Step 7. Attach Partition (F) by guiding the Connecting Bolts into holes in the Back Brace (P), Back (O), and Front Assembly (K & Q) also allow Dowels in the Front Assembly (K & Q) and Back

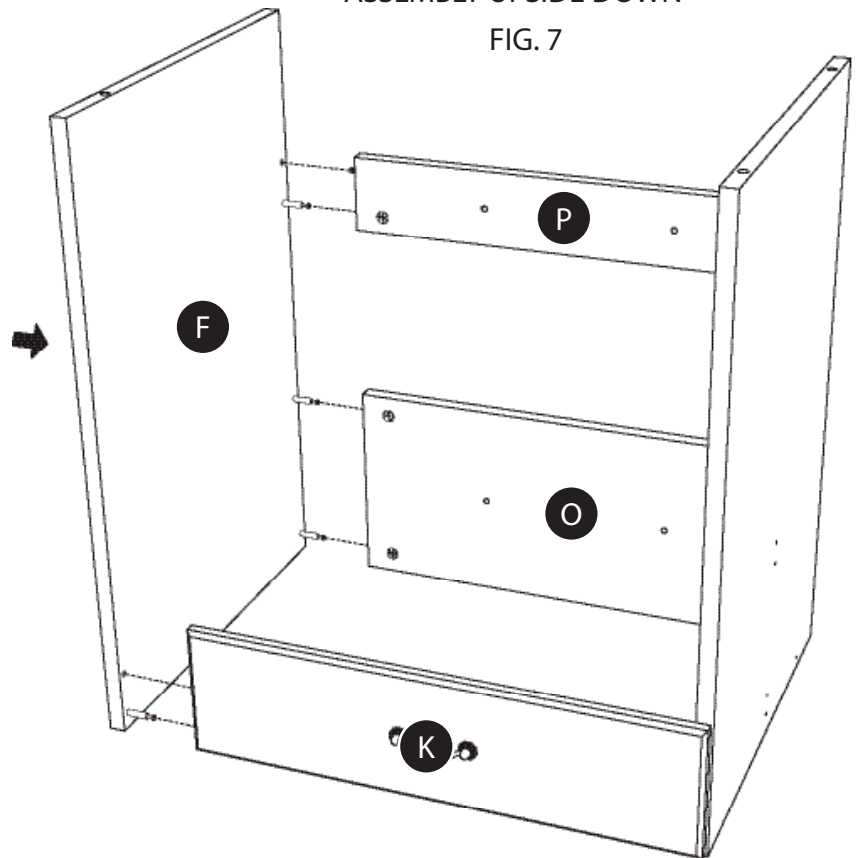
Brace (P) to enter holes in the Partition (F) (as shown In FIG. 7). Turn cams to locked position when complete.

*ASSEMBLY UPSIDE DOWN

FIG. 7



Remember to tighten the cams down on ALL pieces once completed!

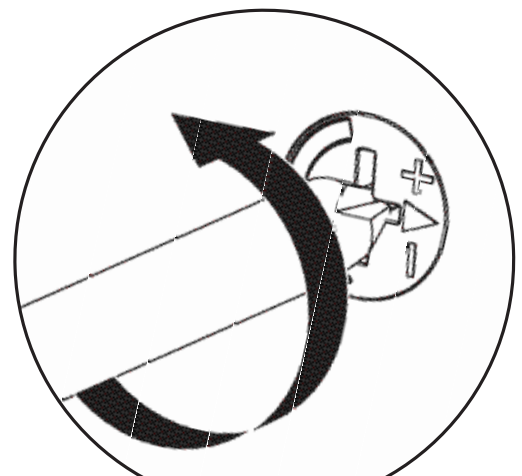
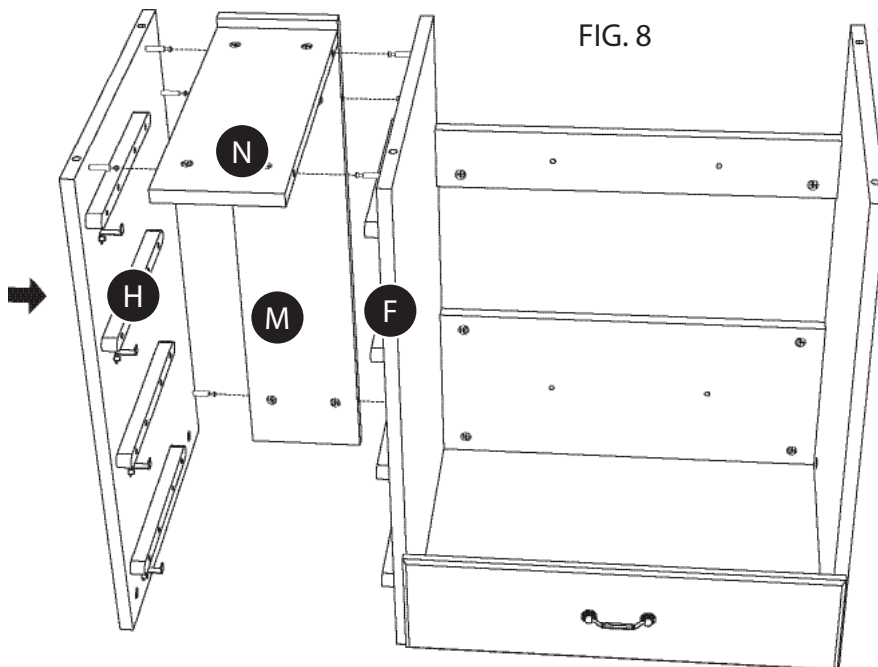


Step 8. Attach Compartment Back (M) to Partition (F), aligning Cam holes with Bolts. Panel should be flush at top and bottom, when aligned with Bolts, turn Cams to locked position. Attach Compartment Bottom (N) to partition (F), (taped edge to front)

again aligning with Bolts, turn Cams to locked position. Attach Right Side (H) to Compartment Back (M) and Bottom (N), turn Cams to locked position (see FIG.8).

FIG. 8

*ASSEMBLY UPSIDE DOWN



Remember to tighten the cams down on ALL pieces once completed!

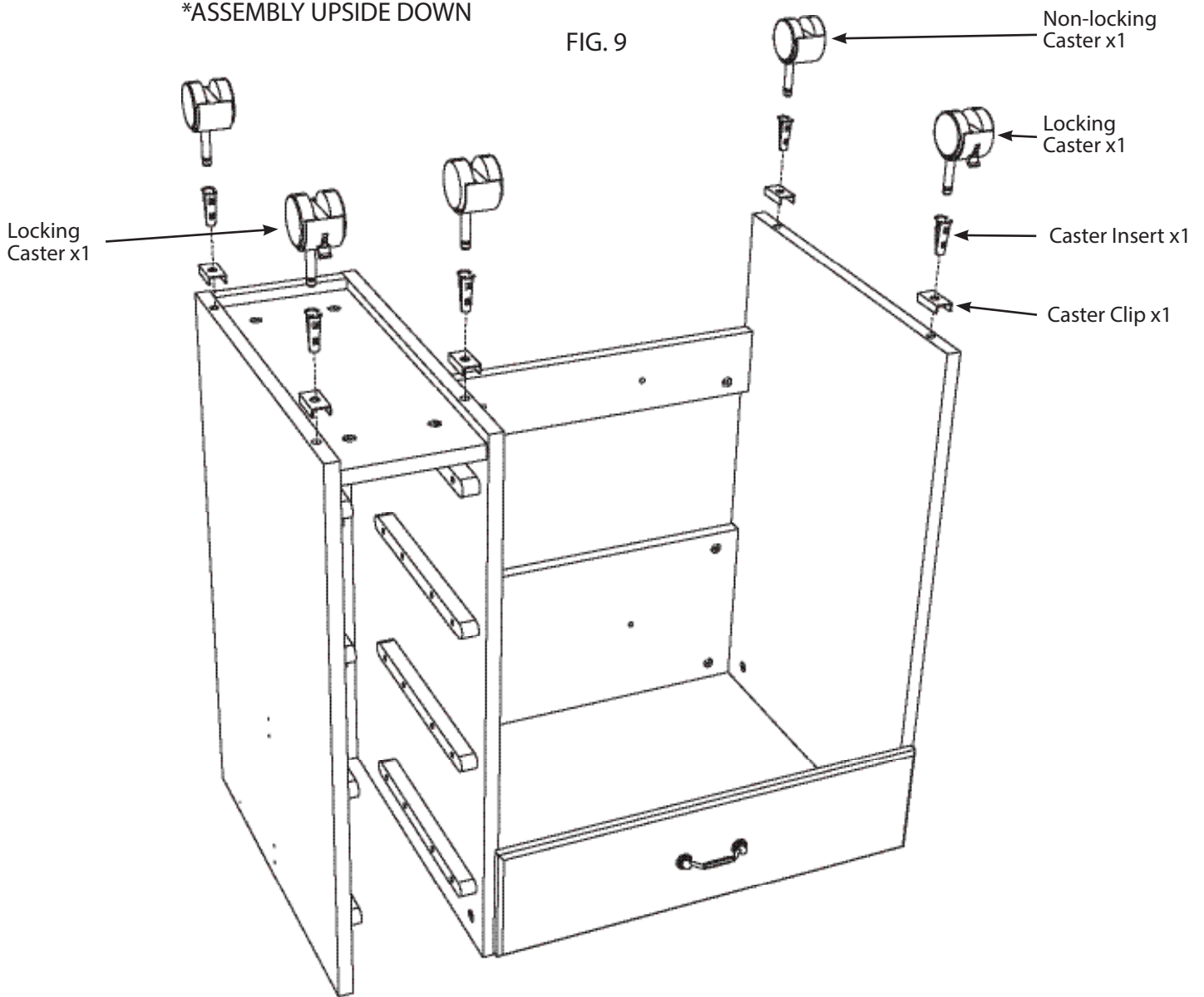
Step 9. Place Clips and Inserts, in that order (x5), where indicated on bottom of Side Panels (G & H) and Partition(F). It is VERY important to put caster clip on first and then tap caster insert into clip opening. Tap In Casters (as shown in FIG. 9),

“LOCKING” type in front, NON -LOCKING” in the rear and on Partition.

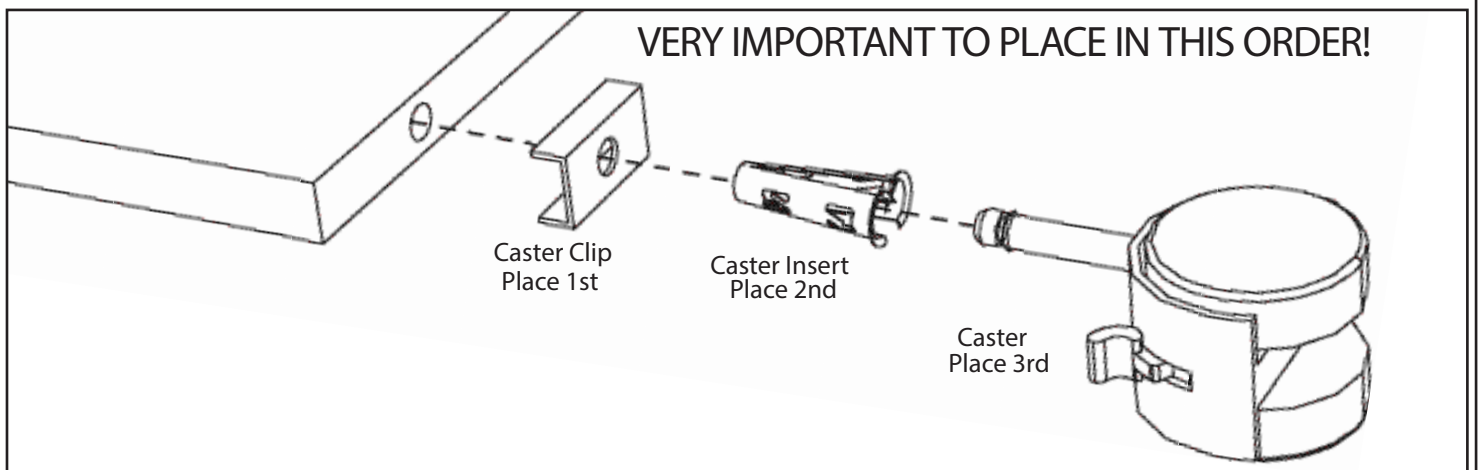
To get casters in you may place a wood block or towel over caster to protect it, then tap hard with mallet.

*ASSEMBLY UPSIDE DOWN

FIG. 9

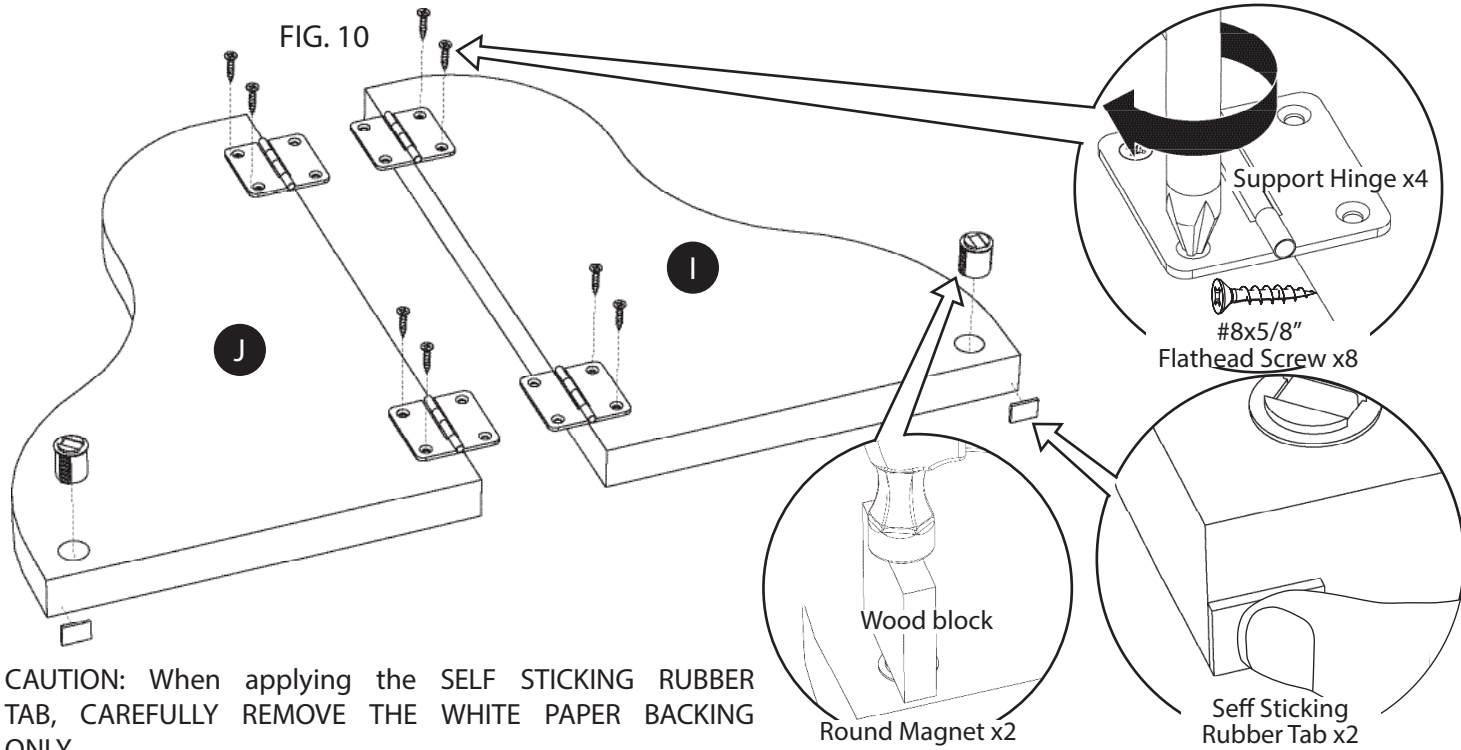


VERY IMPORTANT TO PLACE IN THIS ORDER!



Step 10. Attach Support Hinges (x4) to Right and Left Supports (I & J) with #7x5/8" Flathead Screws (x8); Insert Round Magnets (x2) into holes in Leaf Supports (I & J) (as shown In FIG. 6).

Cover the magnet with a wood block and tap hard to get magnet in the hole. Attach rubber tabs to Leaf Supports (I & J), make sure and place tab on opposite edge from round magnet!



CAUTION: When applying the SELF STICKING RUBBER TAB, CAREFULLY REMOVE THE WHITE PAPER BACKING ONLY.
Place on outer edge, opposite side of the round magnet.

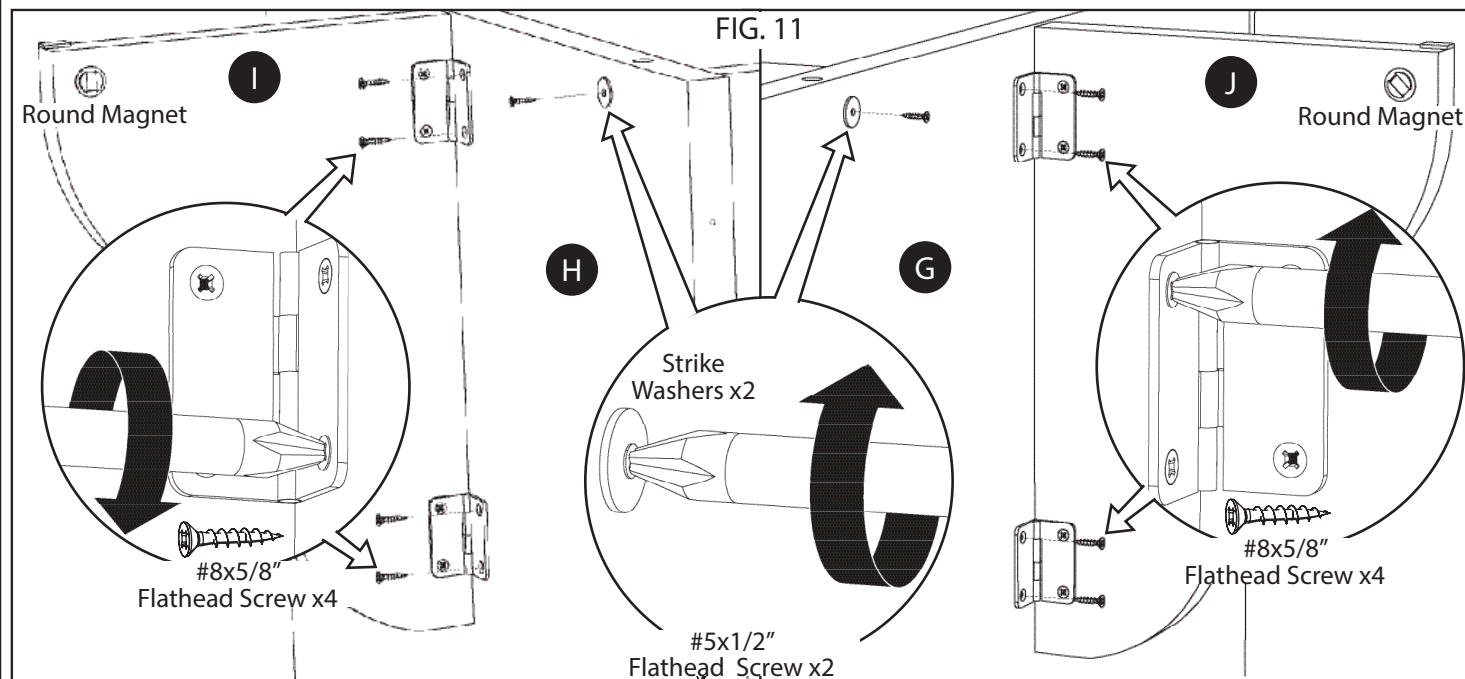
NOTE: The following assemblies should be done with Cabinet upright.

Using 2 people carefully flip cabinet over on all 5 casters. Lift cabinet fully up and flip over, DO NOT tip cabinet on to one side and then flip cabinet

over. This causes great stress on the casters and will cause them to break.

Step 11. Attach the Leaf Support Wings (I & J) to outside of Right and Left Sides (H & G), on right and one Left with #7x5/8" Flathead Screws (x8).

Now, attach the Bronze Strike Washers (x2) for the Round Magnet to each side (H & G) with #4x1/2" Flathead Screws (x2) (as shown In FIG. 11).

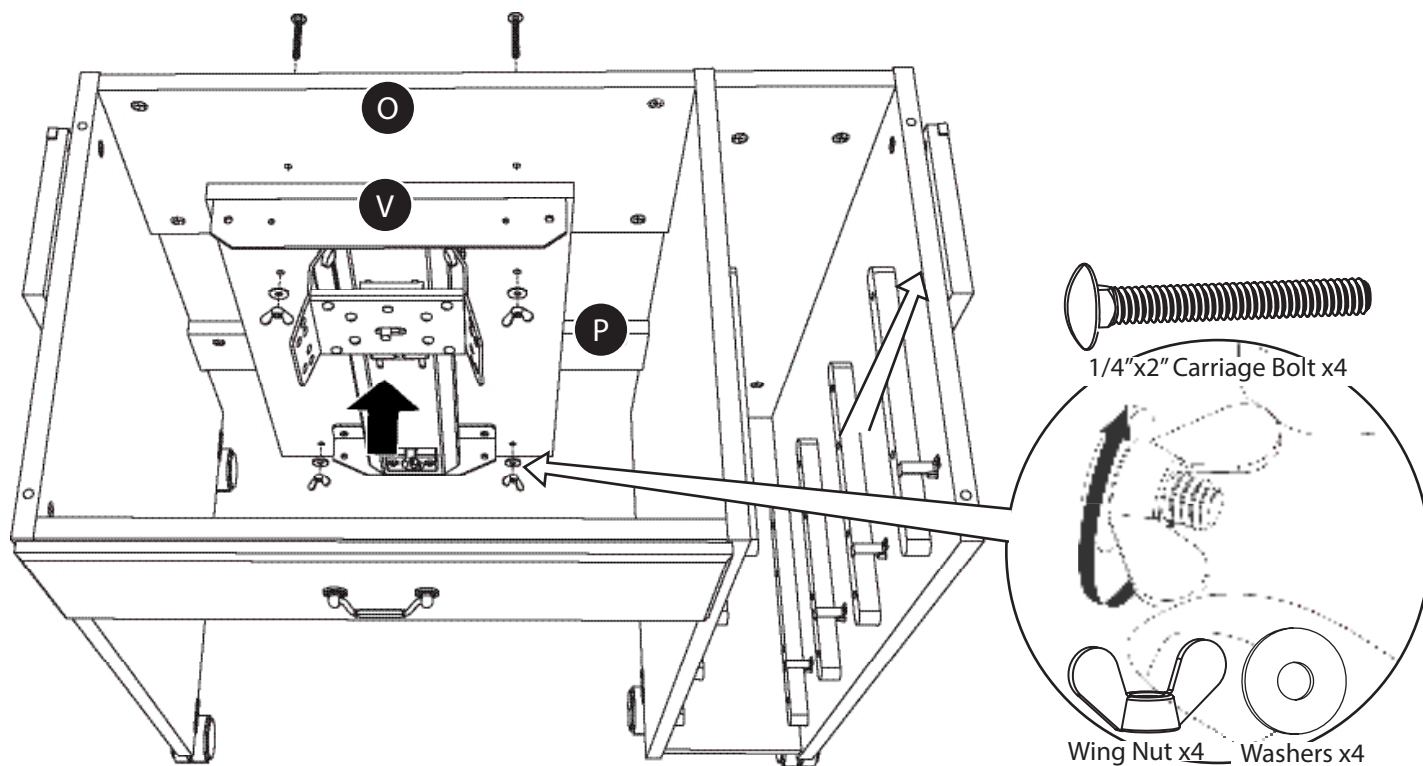


Step 12. Attach lift Panel (V) with airlift attached to cabinet Back (O) and Back Brace (P) with 1/4"x2" Carriage Bolts (x4).

Hang the top 2 Bolts in cabinet Back (O) put on washer and wing nuts and tighten as shown in FIG 12.

Place the last 2 Carriage Bolts through the 2 holes on the Back Brace (P). Before tightening all 4 bolts down take a hammer to tap bolt completely into the Back Panel (O) and Back Brace (P), so the head of the bolt is flush with the panel.

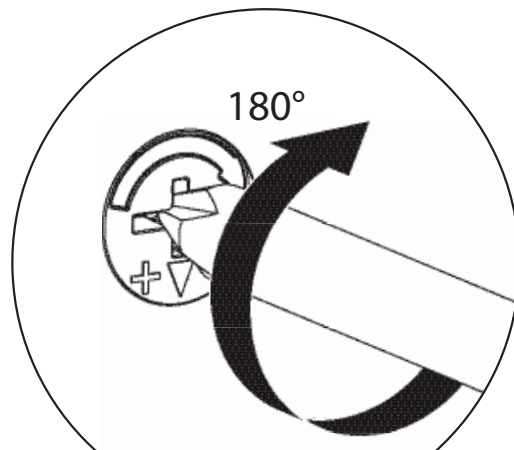
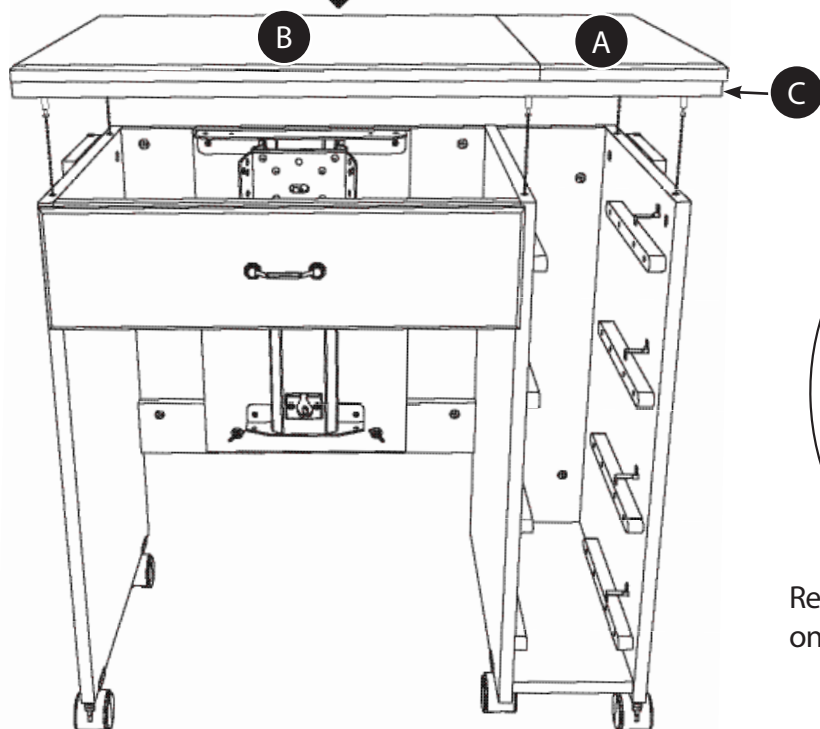
FIG. 12



Step 13. Turn the Top (A, B, C) and guide the Connecting Bolts into the holes on the top edges of the Side Panels (G & H) and Partition (E).

Open the Leaves (A & B) to rest on the Leaf Supports (J & I). Reach through the opening in the Top and Compartment to turn the 5 Cams to the locked position, as shown in FIG. 13.

FIG. 13



Remember to tighten the cams down on ALL pieces once completed!

Step 14. Remove Universal Insert from inside the top as shown in FIG. 14.

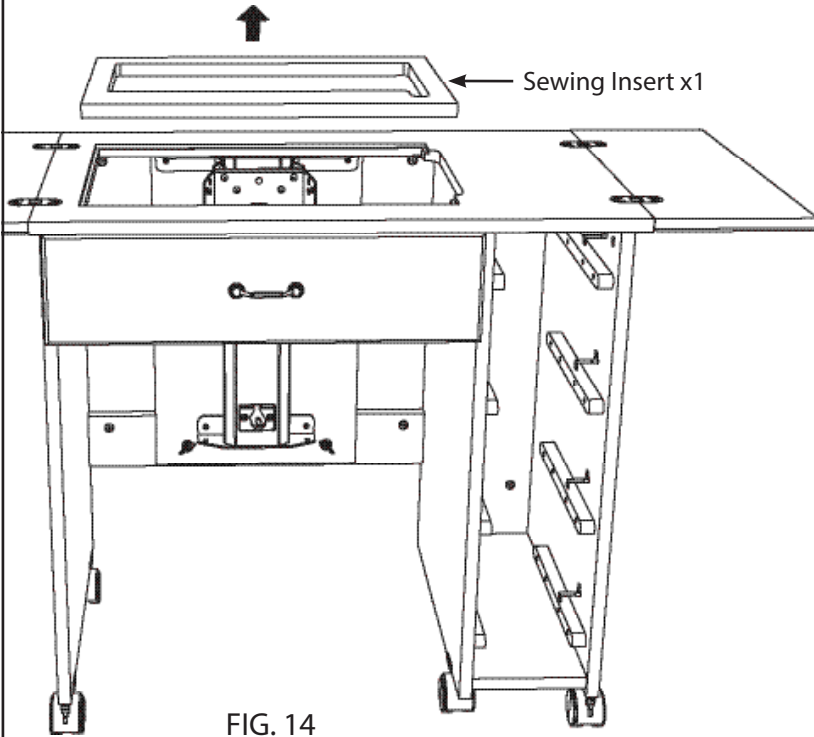


FIG. 14

Close the Leaves (A & B) as shown in FIG. 14A.

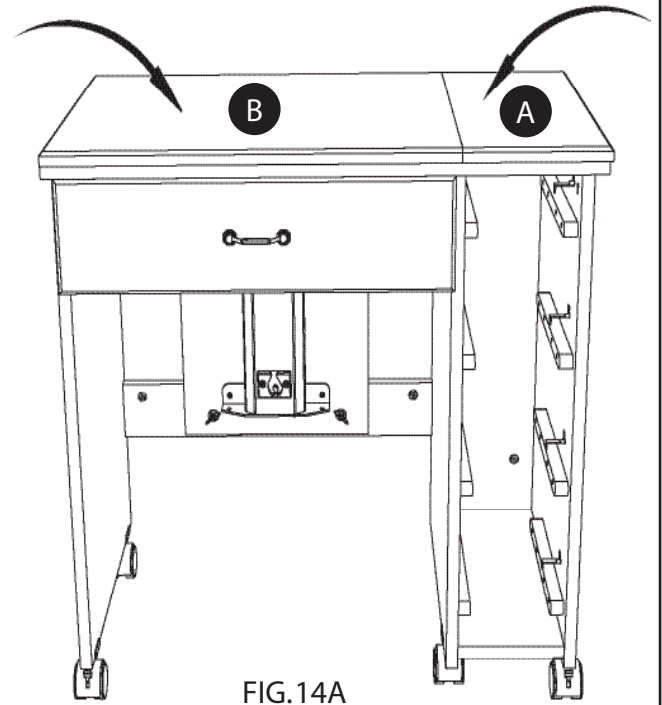


FIG. 14A

Step 15. Once Top Assembly (A, B, C) is on securely, with 2 people CAREFULLY flip the cabinet on its back, as shown in FIG. 15.

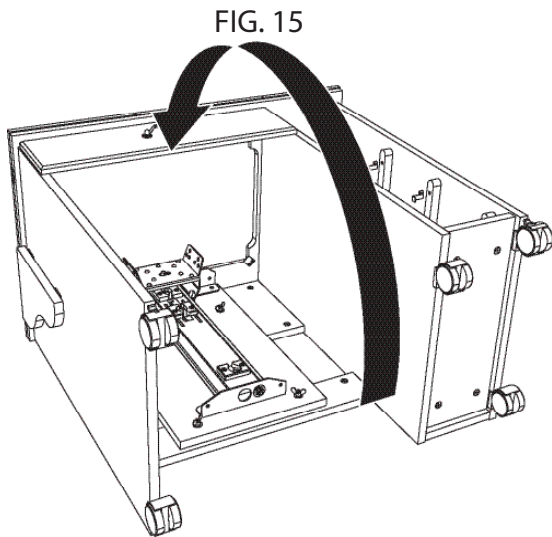


FIG. 15

Open the Leaves (A & B) as shown in FIG. 15A.

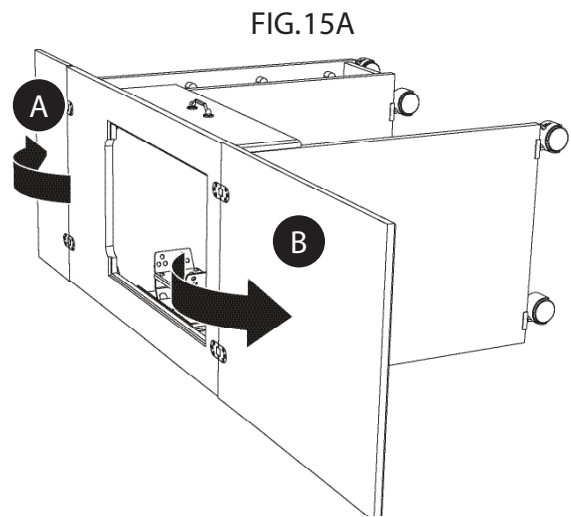


FIG. 15A

With 2 people CAREFULLY support the leaves and tip the cabinet over on its top, as shown in FIG. 15B.

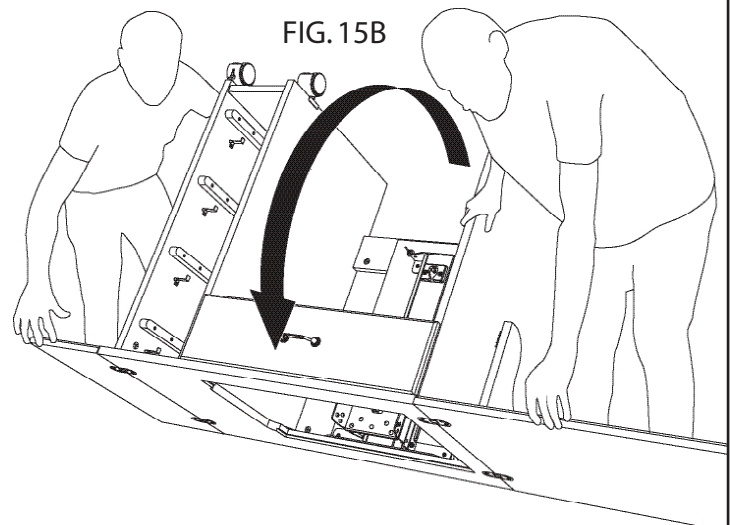
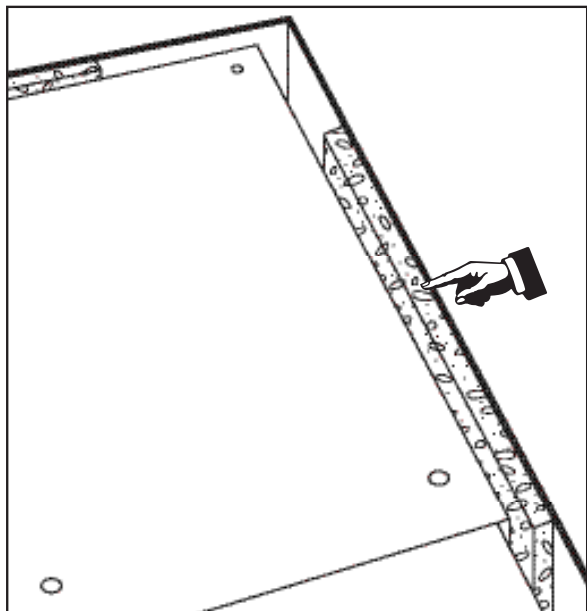


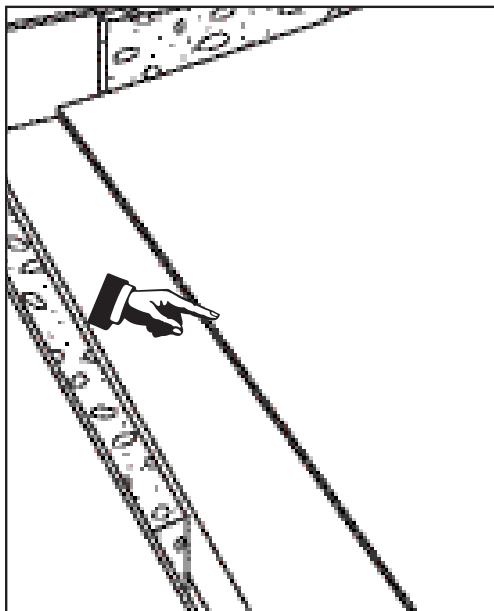
FIG. 15B

Step 16. The opening you set your sewing machine on in the cabinet is quite large. The opening allows the cabinet to accommodate larger sewing machines, but makes it difficult to level the platform you set your machine on.

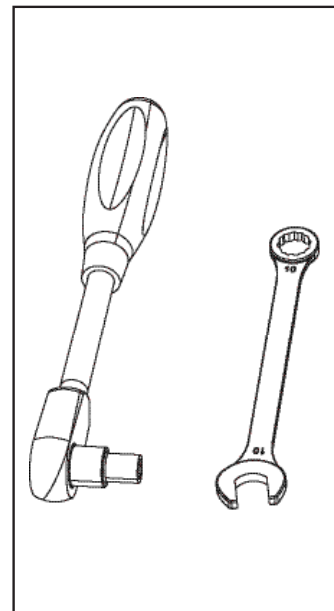
The following instructions will help you level the Platform (U). You will need the styrofoam from the box, a sheet of cardboard from the box & a 10 mm wrench and an adjustable socket wrench.



Styrofoam from box



Cardboard from Box

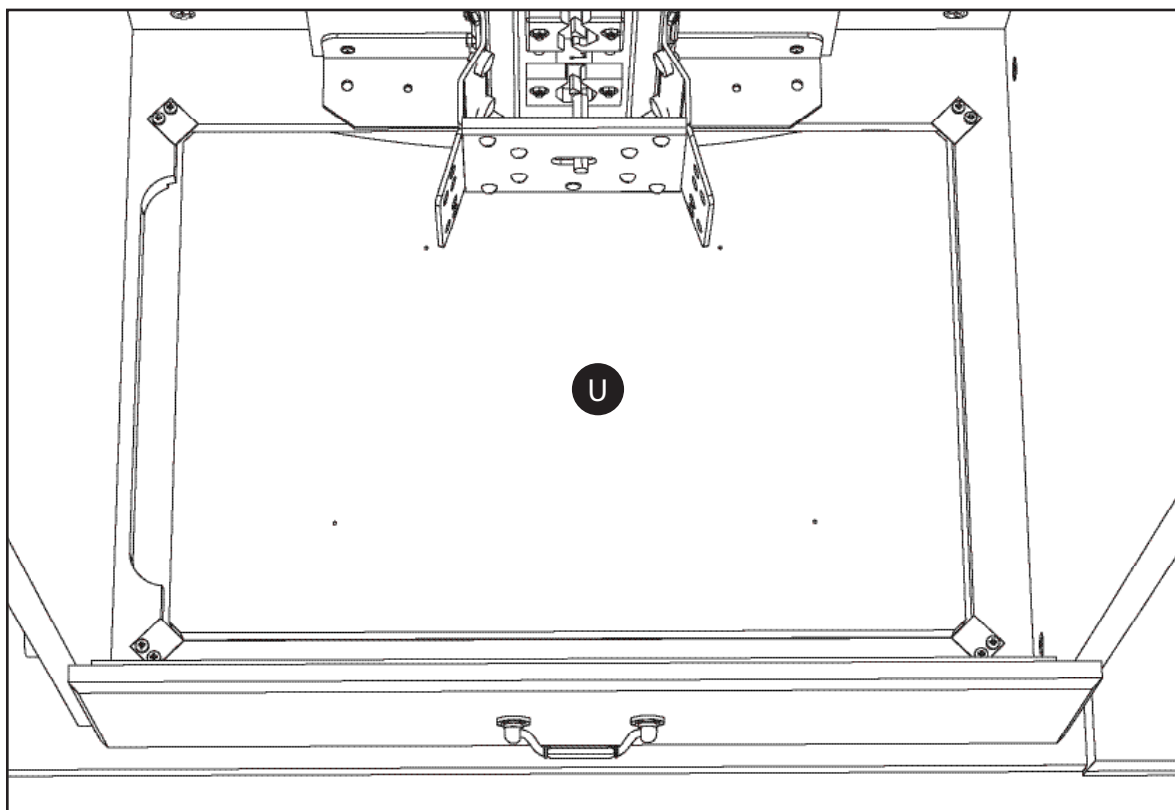


10 mm wrench & socket wrench.

Step 17. Slightly lift the cabinet and place the Platform (U) under the top. Cut out on Platform

will face the back under the airlift, as shown in FIG. 16.

FIG. 16



Step 18. Place 5/8" styrofoam from the box contents under the Top at the back of the unit, as shown in Fig. 17.

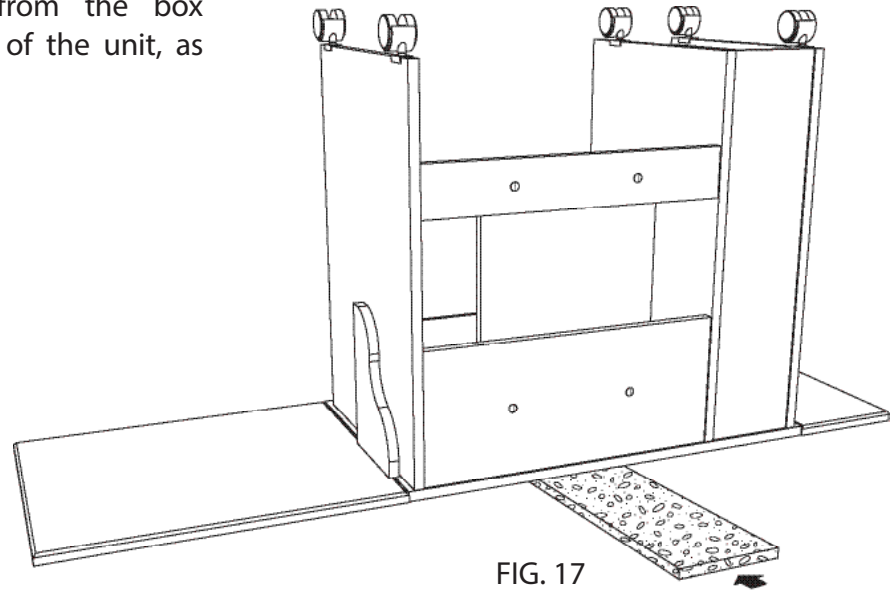


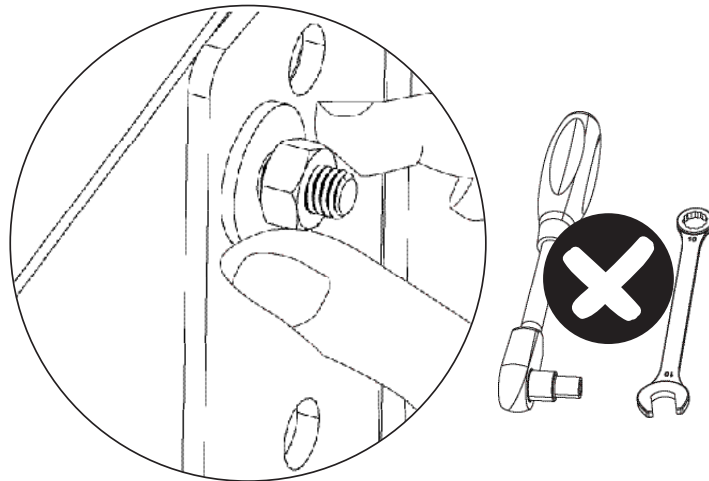
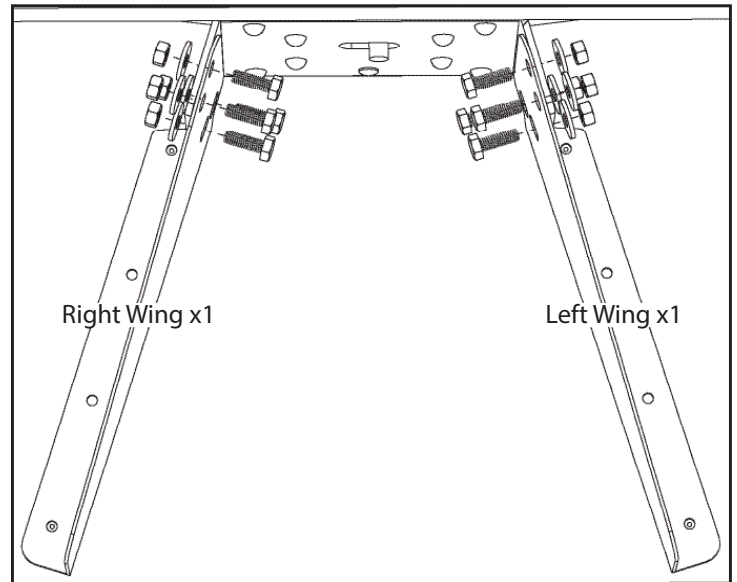
FIG. 17

Step 19. Take metal wings and attach them to the airlift carriage using the 10 mm hex nut bolts (x8), 4 bolts per wing. Attach the bolts on loosely, as you will tighten them down in a later step.

The metal wings are placed on the inside of the airlift carriage flanges facing outward, as shown in FIG 18. Once complete remove styrofoam from back of cabinet.



FIG. 18



Step 20. Adjust Platform (U) in Top Opening, so the platform is lying square not hitting the sides, the back or the metal insert rests in each of the

four corners. Picture 19A shows clearance, while picture 19B shows no clearance.

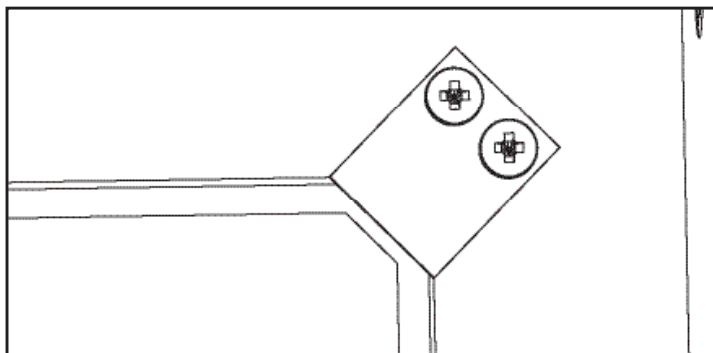


FIG. 19A

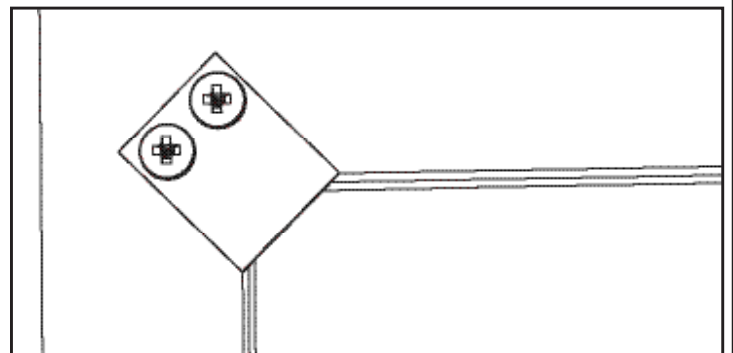
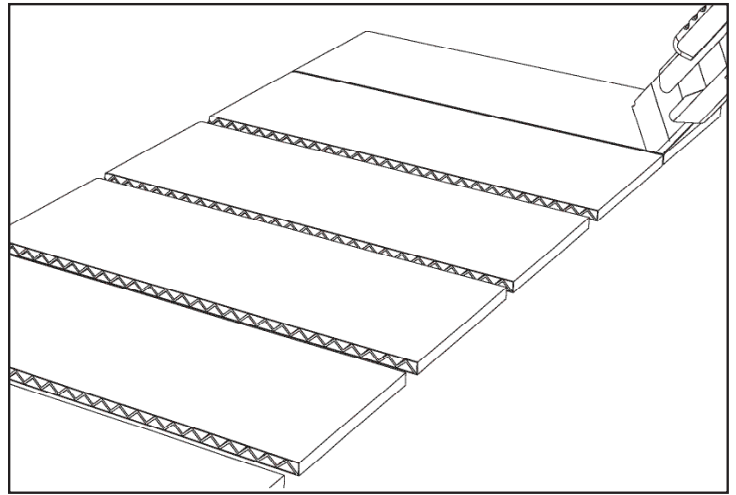
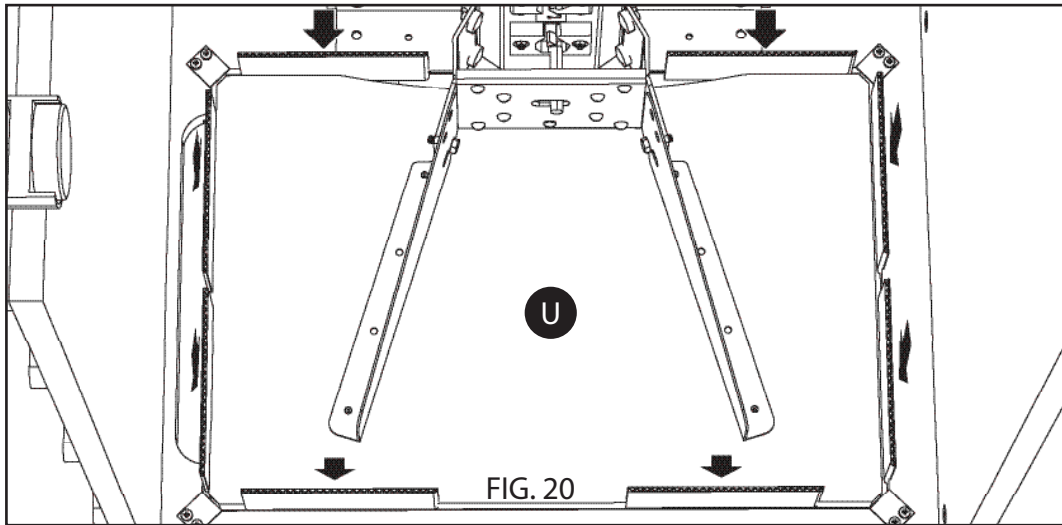


FIG. 19B

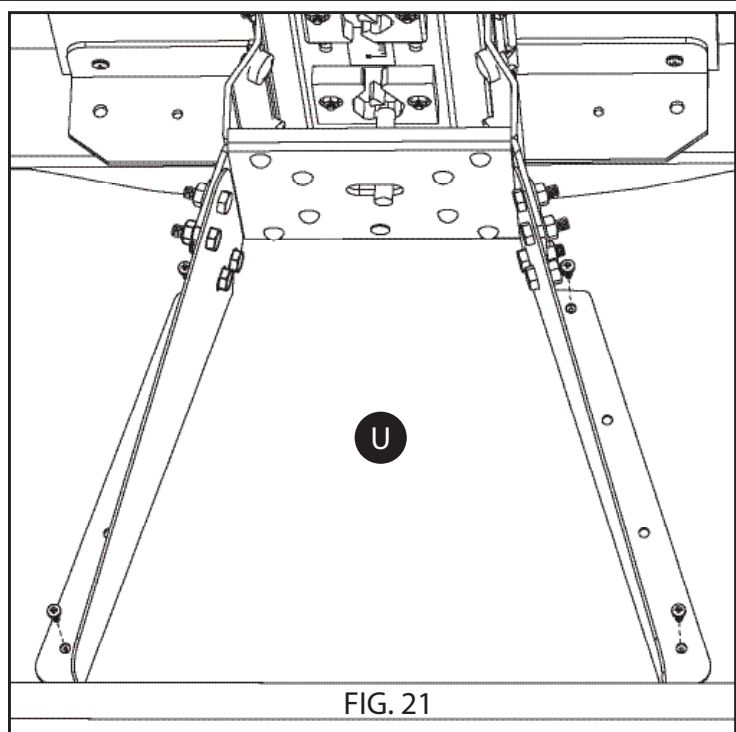
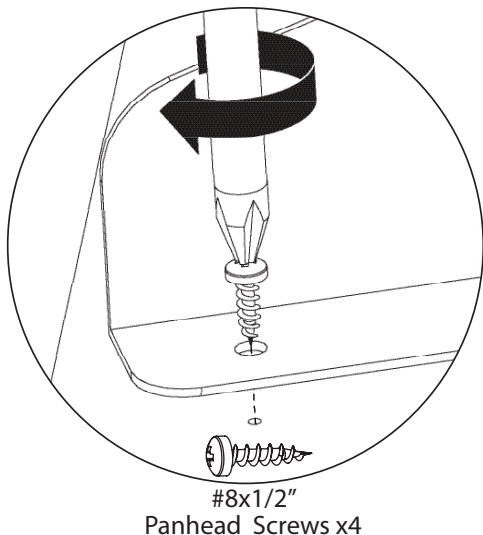
Step 21. Cut cardboard sheet from box contents into 6-8 strips of 6" long x 2" wide strips. If the cardboard is too thick use an envelope folded in half.



Step 22. Place cardboard strips around the Platform (U) to keep the Platform square, as shown in FIG. 20.

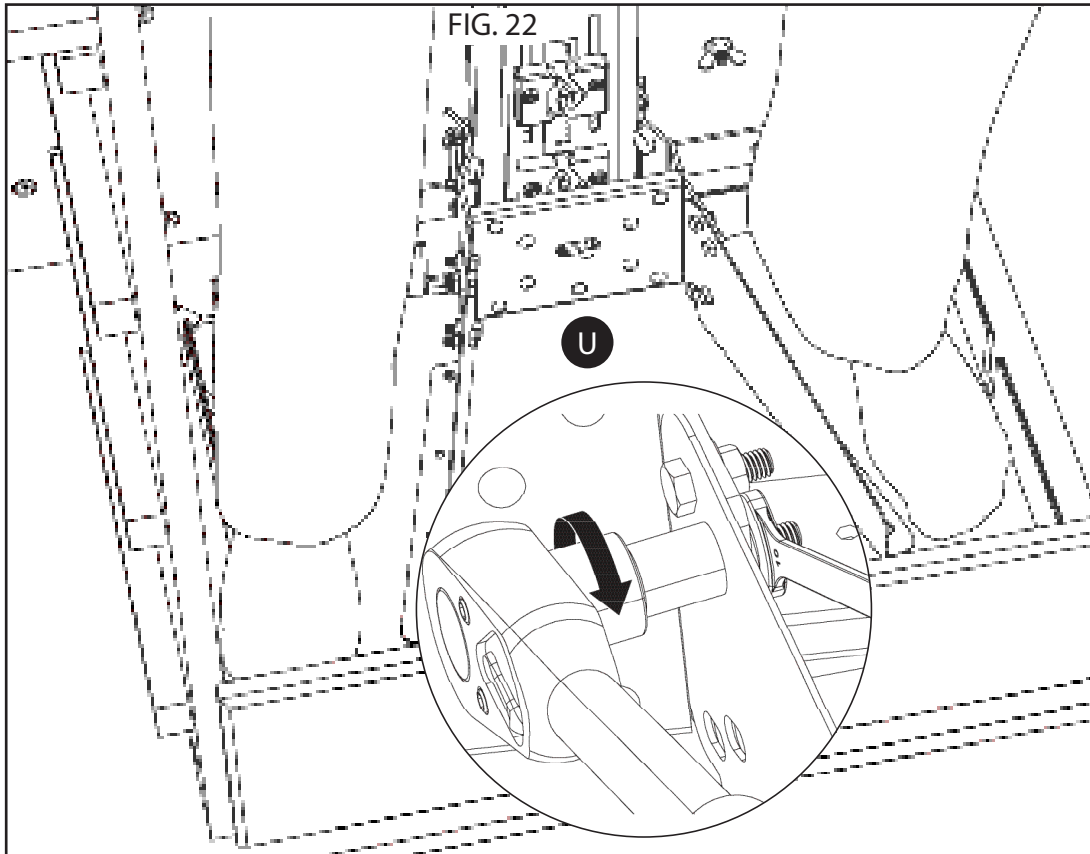


Step 23. Attach the metal left and right wings to the Platform (U) using large Silver #8x1/2" screws (x4). The long flanges facing outward & toward the edge of the Platform. Place screws in pre-drilled holes on metal wings and Platform.

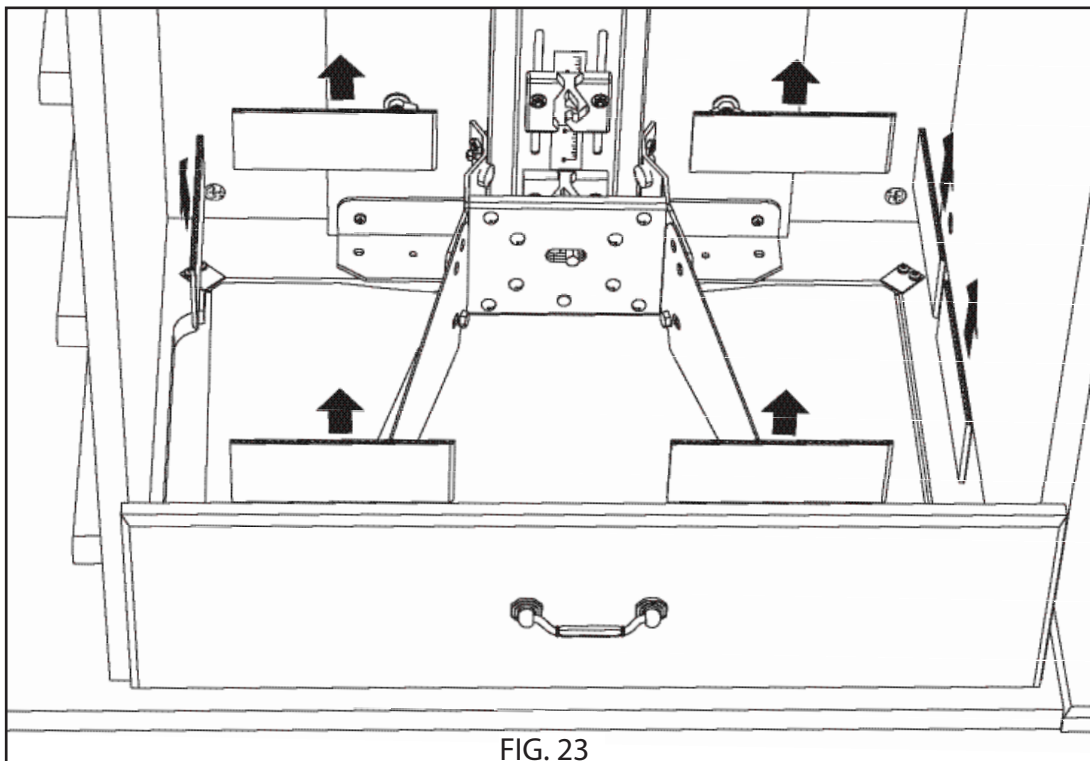


Step 24. Using 2 people, a 10mm wrench and an adjustable wrench tighten down the hex nut bolts (x8) on the metal wings and airlift carriage. To prevent the Platform (U) from rising up as it is being tightened, have the second person stand on

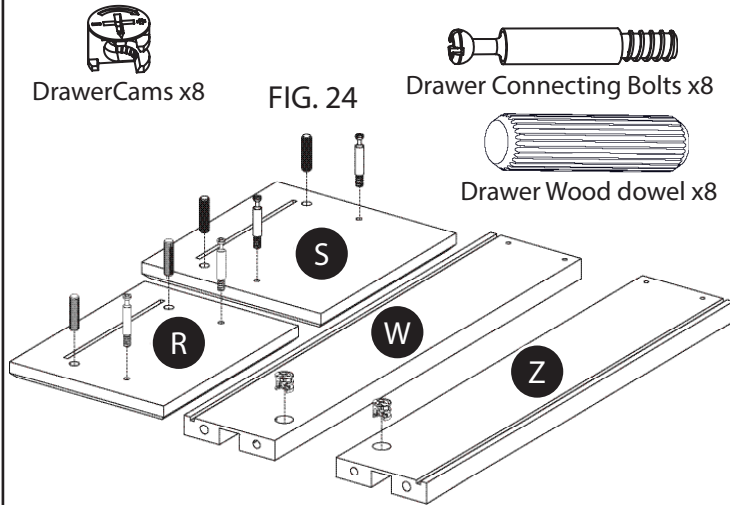
the platform while another tightens the hex nut bolts (x8) down. The even pressure applied will help the platform to not rise up. Make sure the cabinet is on a level sewing surface. See Fig. 22.



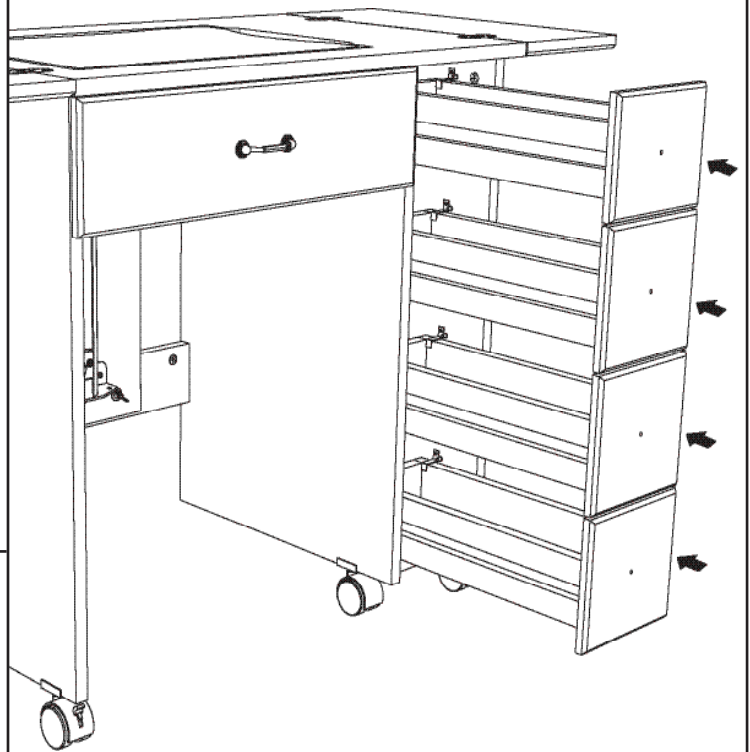
Step 25. Remove cardboard from all corners. Check that the metal wings are tight to the airlift carriage and the Platform (U). Your Platform (U) should be on secure and level.



Step 26. Thread Connecting Bolts (8 total) into pre-drilled holes in Drawers Front (R, Sx3). Install Cams (8 total) in Drawer side (Zx4, Wx4) by pushing a Cam into each hole flush with surface (as shown in FIG. 24).

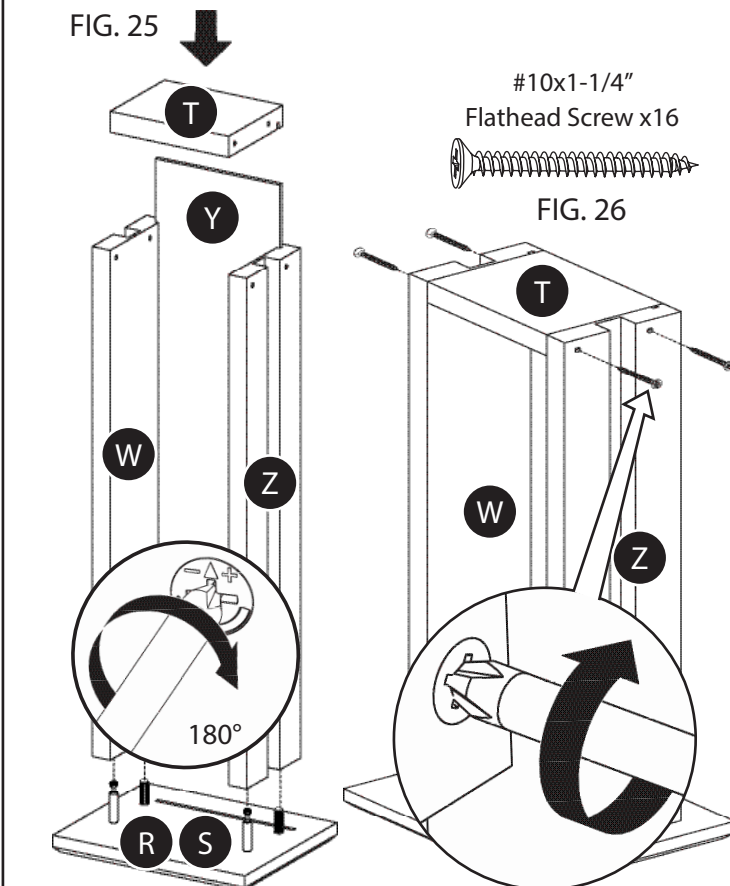


The Drawer may now be installed into your cabinet as shown. The middle slot of the drawer side, slides onto the drawer runner. Do not place the drawers on top of the drawer runners.

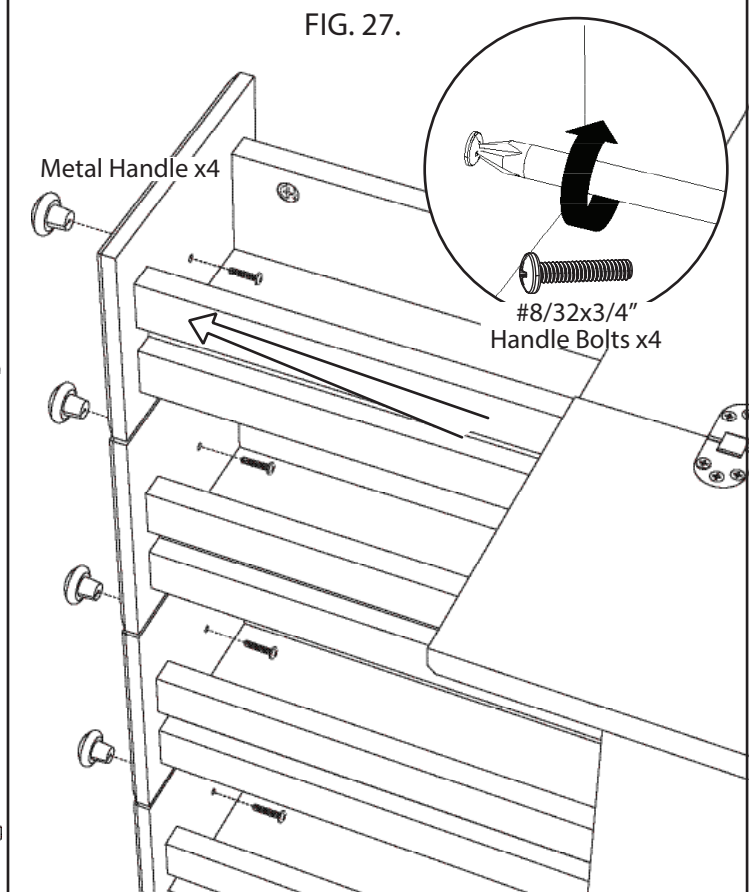


Step 27. Attach Top Drawer Sides (Z,W) to Drawers Front (R,S), guide Connecting Bolts into holes in Drawer Sides (Z,W), turn Cams to locked position. Slide Drawer Bottom (Y) along grooves on the Sides into the Groove in Drawers Front (R,S) (as shown in FIG. 25).

On the other side, attach the Drawer Back (T) to Drawer sides (Z,W) with the #10x1-1/4" Flathead Screw (x16) (as shown in FIG. 26).



Step 28. Attach the Metal handle to the Top Drawers Fronts (R,S) using 8/32x3/4" Bolt (x4) (as shown in FIG. 27).



Adjusting the Platform Height for the Flatbed

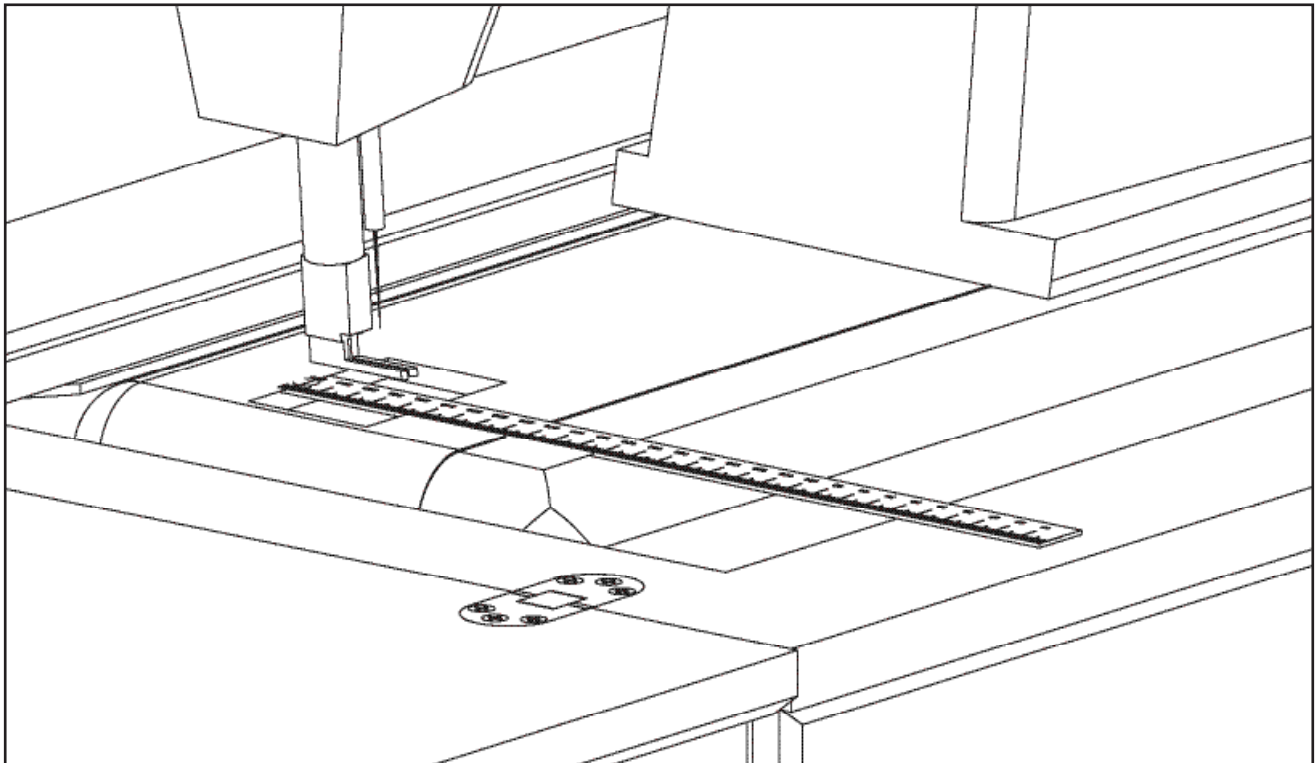
The Air Lift has 3 positions for your sewing machine: storage, flatbed and freearm. The flatbed position is the second position on the Air Lift and is the position most sewers will sew in. The tip of the needle on your sewing machine should be level with the edge of the cabinet for proper positioning in the flatbed position as seen in the below picture. If your needle is sitting too far down in the cabinet or too far above the edge of the cabinet you will need to adjust your Air Lift.

Follow these simply instructions for adjustment of your Air Lift:

1. Place your sewing machine on the platform inside the cabinet.
2. Place the Air lift mechanism in the top position or freearm position.
3. Tuck your head under the cabinet looking at the Air Lift Mechanism.
4. You will notice the Air Lift has 3 black square boxes on it. The middle black square box has a scale behind it.
5. Go to the middle black square box and loosen the 2 silver hex nuts using an 8 mm wrench.
6. Move the platform where your sewing machine is sitting down to the desired flatbed position. Remember the tip of the needle should be level with the edge of the cabinet.
7. Once you have the desired position look under the cabinet at the scale to see what mark the scale is at.
8. Move the platform back to the top position or freearm position.
9. Move the black square box to the correct number on the scale and re-tighten down the hex nuts using an 8 mm wrench.

***The adjustment may take 2 or 3 times before it is right.**

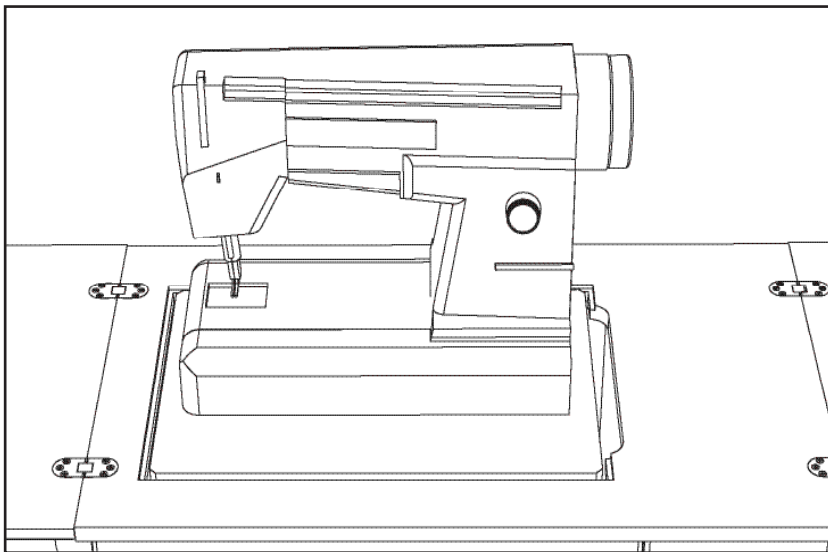
If the platform returns to its original flatbed position you have not tightened the hex nuts down tight enough.



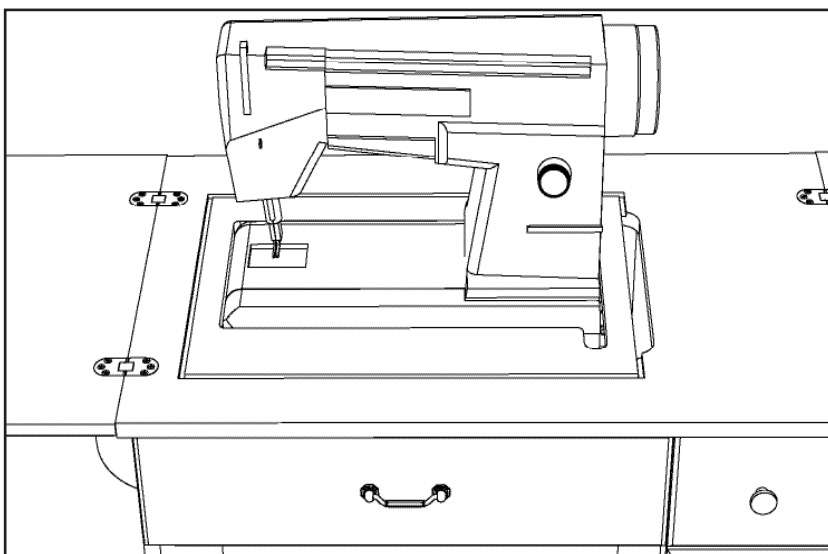
Watch our helpful video "Airlift Height Adjustment" at www.arrowcabinets.com

Your Airlift Sewing Cabinet has 3 separate positions on the mechanism. (1) Freearm or the top position, (2) flatbed or the second position on the mechanism and (3) storage the final position. A plastic universal insert comes with your cabinet. This insert is to be used only in the flatbed position of the cabinet. A custom insert can be purchased separately.

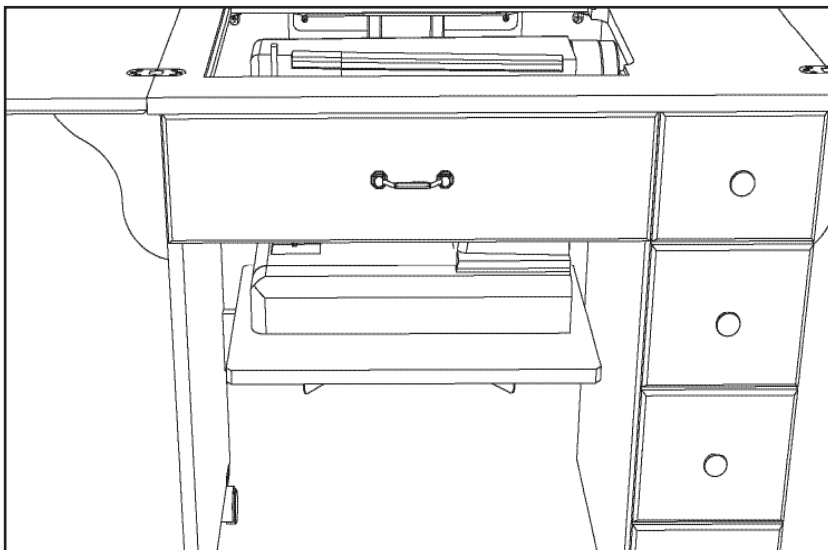
Freearm Position



Flatbed Position
/with Universal Insert



Storage Position



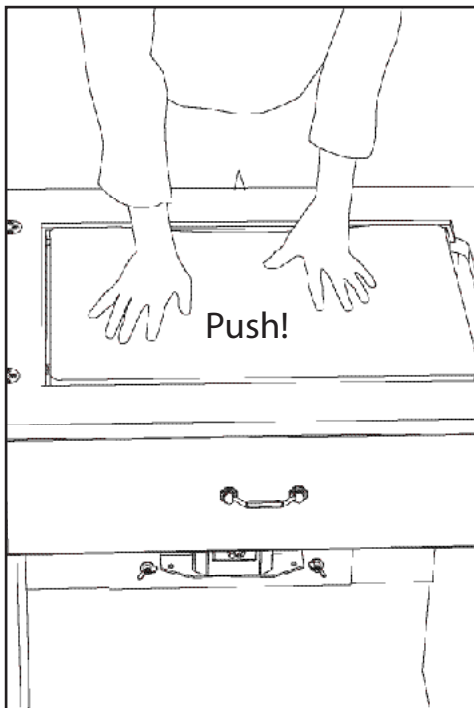
How To Work the Air Lift Mechanism

The Air Lift has 3 positions for your sewing machine: storage, flatbed and freearm.

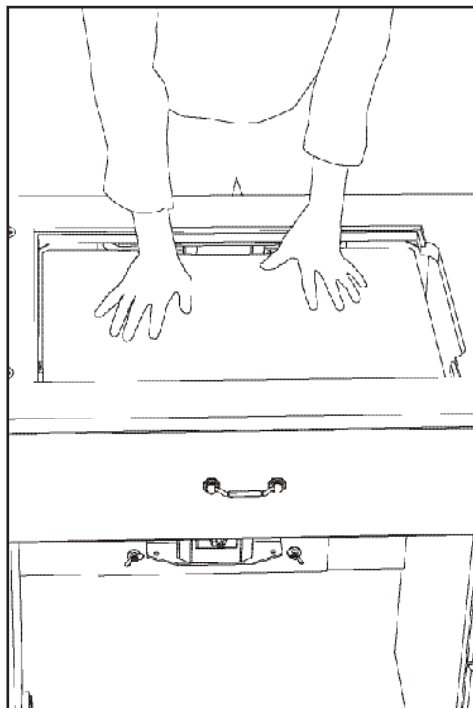
Follow these simple instructions to move the Air Lift into the 3 Different Positions:

1. Once your cabinet is fully assembled you can begin moving the Air Lift.
2. To activate the mechanism for the first time open the door on the cabinet and push down with 2 hands on the platform and release, as shown below in pictures 1 and 2.
3. The top position known as the freearm position usually takes 2 small pushes to activate. The freearm position has more resistance than the other two positions.
4. Once you are comfortable moving the platform up and down into the 3 positions place your sewing machine on the platform.
5. Before moving the platform with your sewing machine on it, check to see that your machine is sitting centered on the platform and will not hit the sides of the cabinet as it moves up and down in the cabinet.
6. Push down on your sewing machine sitting in the cabinet to activate the Air Lift, as shown below in picture 3.
7. Heavier machines (20 pounds or more) may move slower than other lightweight machines and may need assistance as they move into the top positions. Heavier machines may require you to lift slightly on the platform for machine to lock the Air Lift into position.

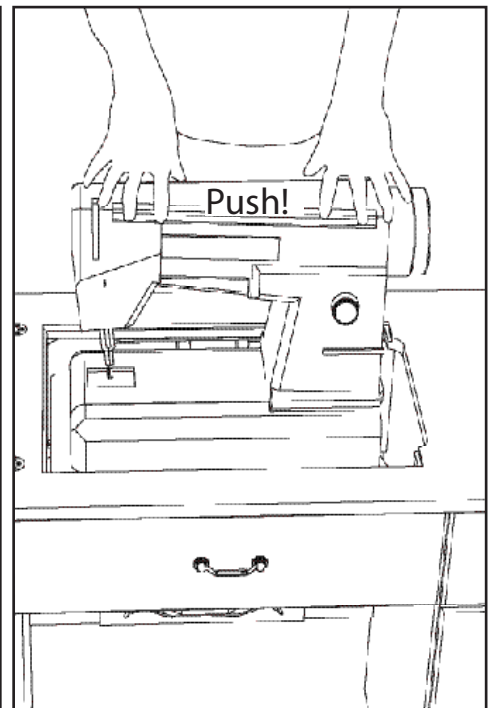
For a demonstration, watch our video "How Airlift Works" at www.arrowcabinets.com



Picture 1

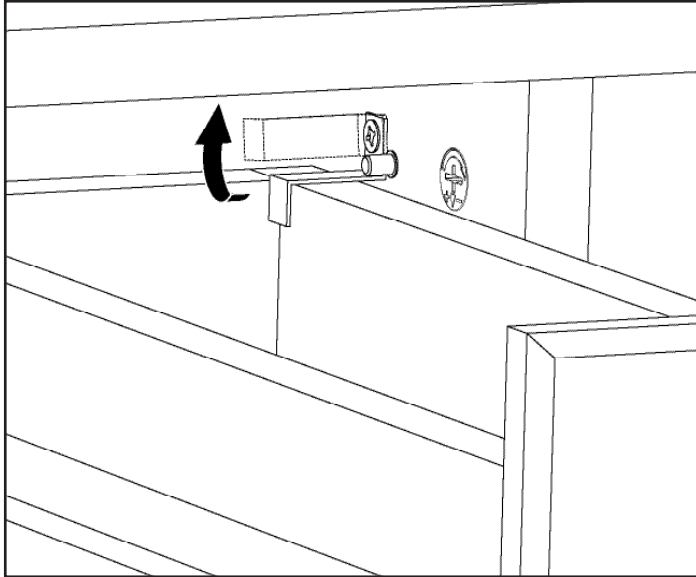


Picture 2



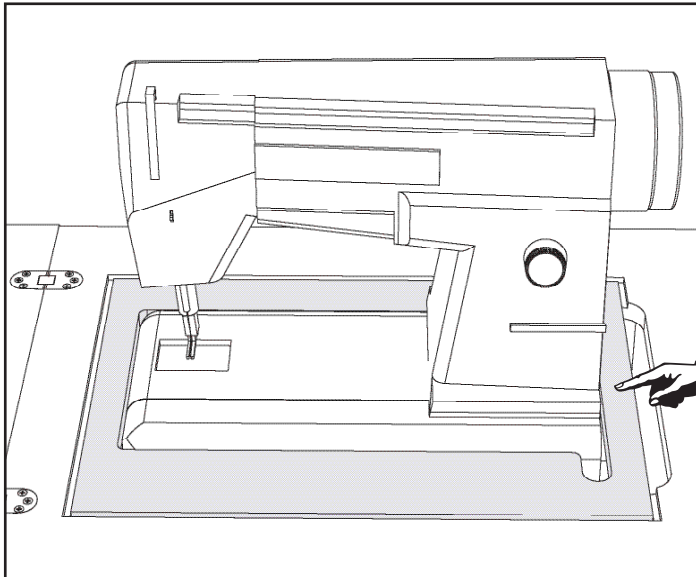
Picture 3

Various Instructions



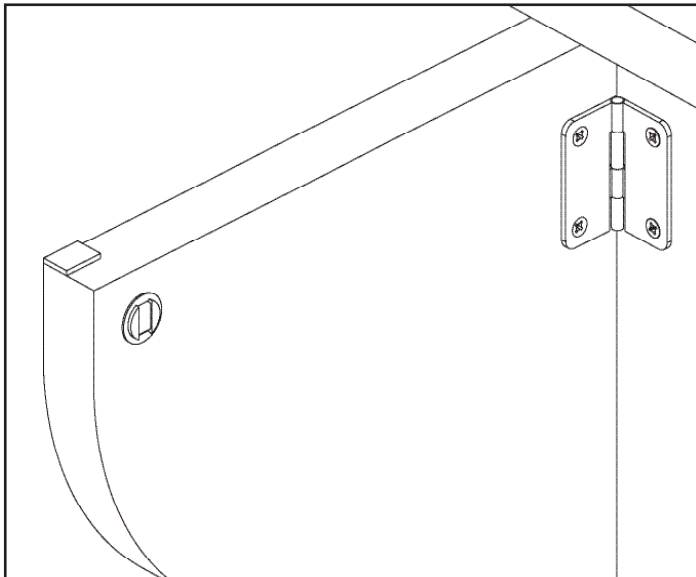
How the drawer stops work.

Place screw for stop on loosely, so the stop can rotate if you want to pull the drawer out fully.



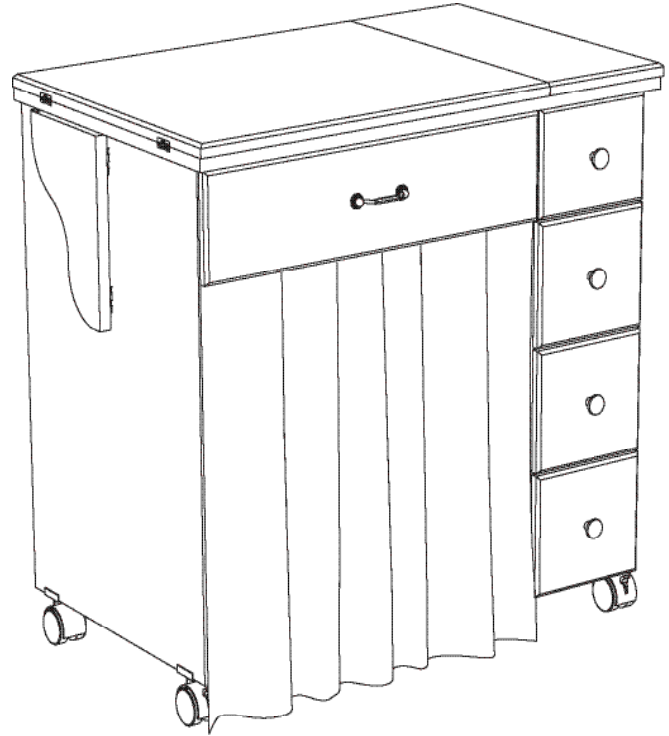
How the Universal Insert Works

If you do not like the universal insert a custom insert can be purchased, call us for details.



Correct placement of rubber tab on leaf support. Opposite edge from round magnet.

To Make Your Own Curtain to Hide your Machine

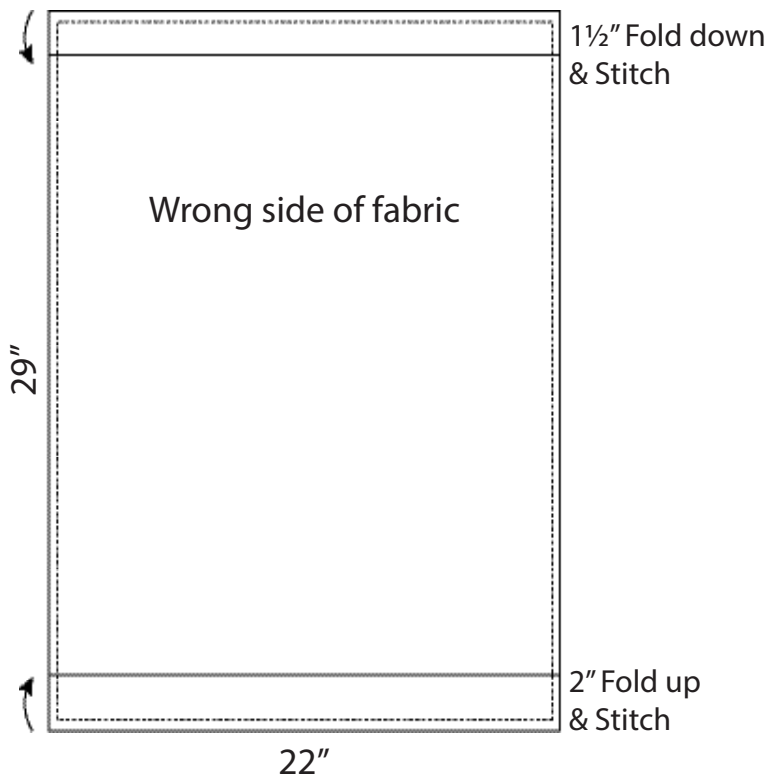


MATERIALS NEEDED: 7/8 yard of fabric

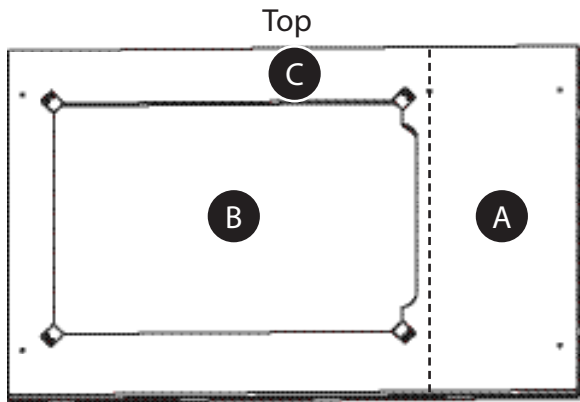
Cut fabric to 29" by width of fabric.
Cut into 2 pieces by cutting at the fold. You will now have 2 pieces measuring 22" x 29". Width may vary due to the width of fabrics.

Turn under 1/4" on all four sides and topstitch down. Turn up bottom hem 2" on the 29" side and topstitch down.

Turn down the top edge 1 1/2" on the opposite side and topstitch down. This will be for your rod to slide thru. You are now ready to attach to your machine using a spring tension curtain rod.

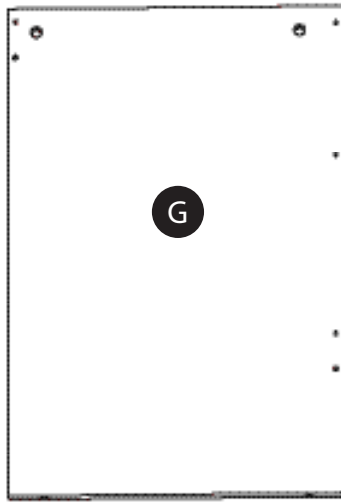


Wood Parts and Part Numbers

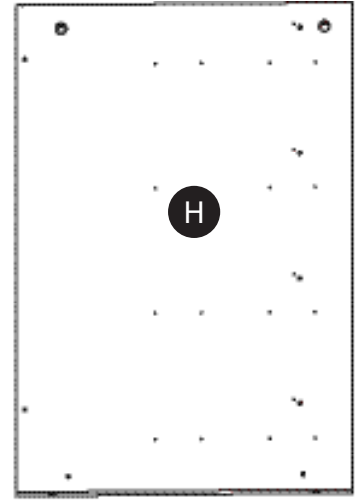


Left Leaf

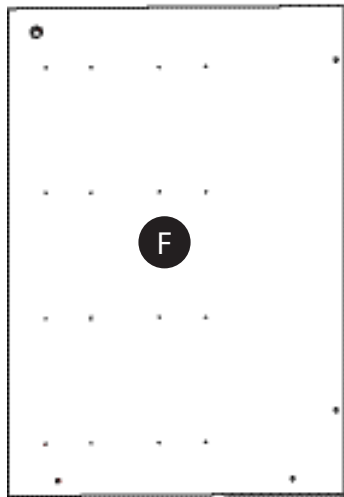
Right Leaf



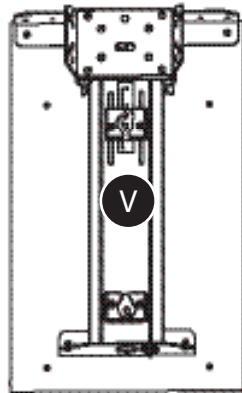
Left Side Panel



Right Side Panel



Partition



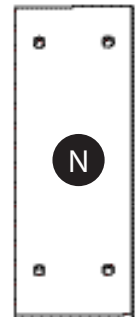
Back



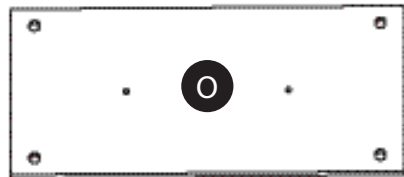
Front



Front Brace



Compartment Bottom



Back



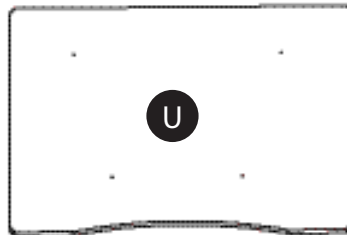
Compartment Back



Drawer Top Front



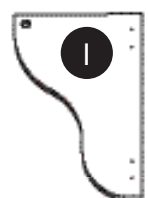
Back Brace



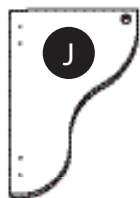
Platform



Drawer Front



Right Leaf Support



Left Leaf Support



Drawer Back



Drawer Side Left



Drawer Side Right



Drawer Bottom

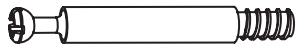
Wood Parts and Part Numbers

Ref.	Description	Part#	Part#	Part#
	Cabinet Model#	900 (Oak)	901 (White)	903 (Black)
A	Right Leaf	005152	0051520	005152B
B	Left Leaf	005153	0051530	005153B
C	Top	005154	0051540	005154B
D	Lift Panel	005167	0051670	005167B
U	Platform	005164	0051640	005164B
F	Partition	005155	0051550	005155B
G	Left Side	005156	0051560	005156B
H	Right Side	005157	0051570	005157B
I	Left Leaf Support	003077	0030770	003077B
J	Right Leaf Support	003078	0030780	003078B
K	Front	005158	0051580	005158B
M	Compartment Back	005160	0051600	005160B
N	Compartment Bottom	005162	00516 20	005162B
O	Back	005166	0051660	005166B
P	Back Brace	005161	0051610	005161B
Q	Front Brace	005159	0051590	005159B
R	SM Drawer Front	003075	0030750	003075B
S	LG Drawer Front	003076	0030760	003076B
T	Drawer Back	003141	003141W	003141B
W	Drawer Side Right	003142	003142W	003142B
Y	Drawer Side Left	003143	004143W	003143B

Hardware Included with Part Numbers



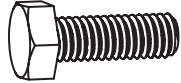
A



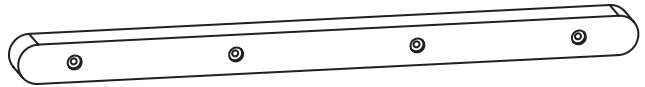
B



C



D



KK



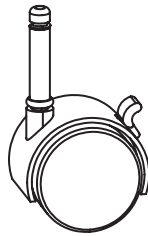
E



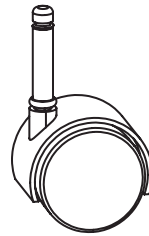
F



WW



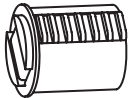
V



W



AAA



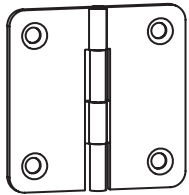
G



I



FFF



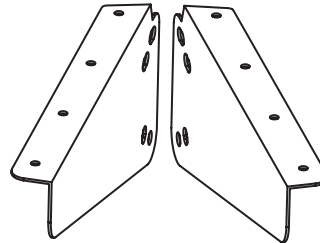
H



HH

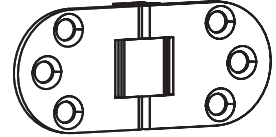


JJ



L

J



BB



K



M



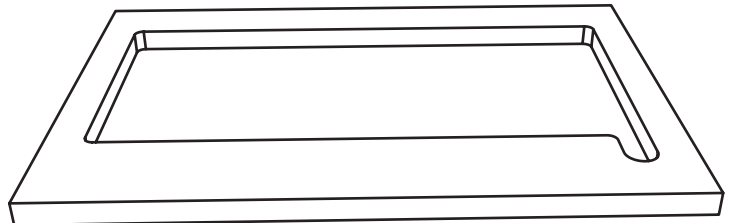
N



O



Y



TT



OO



GGG



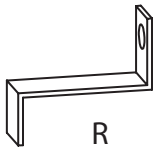
EEE



S



NN



R



PP



Z



U



LL

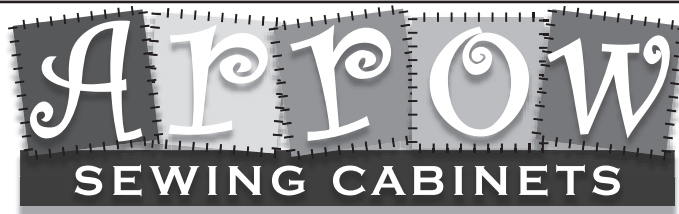


MM

Hardware Included with Part Numbers

Item	Description	Part No.
A	19mm Cam	000709
B	Connecting Bolts	002892
C	Carriage Bolt	001319
D	10 mm Hex Bolt	003175
E	Zinc Flat Washers	000220
F	Wing Nut	000488
G	Round Magnet	002854
H	Leaf Support Hinge	002734
I	Bronze Strike Washer	000839
J	Right Metal Wing	003193
K	#8x1/2" Panhead Screw	002614
L	Left Metal Wing	003194
M	#8x5/8" Brass Flathead Screw	002570
N	#5x1/2" Flathead Screw	000916
O	1-1/2" Wood Screw	001222
R	Drawer Stop Kit	005168
s	1/4"x1-1/4" Wood Dowel	002549
T	3/4" Caster Clip	000324
U	Caster Insert	000368
V	Locking Caster	001135
W	Non-Locking Caster	001136
Y	#6x1" Flathead Screw	001325

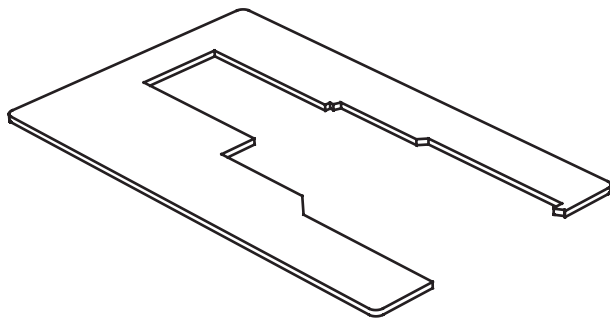
Item	Description	Part No.
AAA	Handle	003177
BB	Leaf Hinge	002733
EEE	8/32x1" Metal Knob Bolt	003192
FFF	Self Sticking Rubber Tab	003174
GGG	8/32x3/4" Metal Handle Bolt	003191
HH	Metal Knob Bronze	003170
JJ	Metal Knob Silver	003171
KK	Drawer Runner	002397
LL	Drawer Cam	000709
MM	Drawer Connecting Bolt	000709
NN	Drawer Wood Dowel	000709
OO	#10x1-1/4" Flathead Screw	000709
PP	Metal	002002
TT	Sewing Insert	002644
WW	Hex Nut 10mm	000158



Accessories to Complete Your Sewing Experience

Custom Insert

Enhance your sewing experience with a custom-made insert for your Arrow or Kangaroo cabinet. Inserts are designed to reduce the gap between the machine and cabinet opening. This provides an ergonomic work surface for the free arm of the sewing machine, allowing for straighter stitches, less fatigue and an overall better experience using your machine and cabinet.

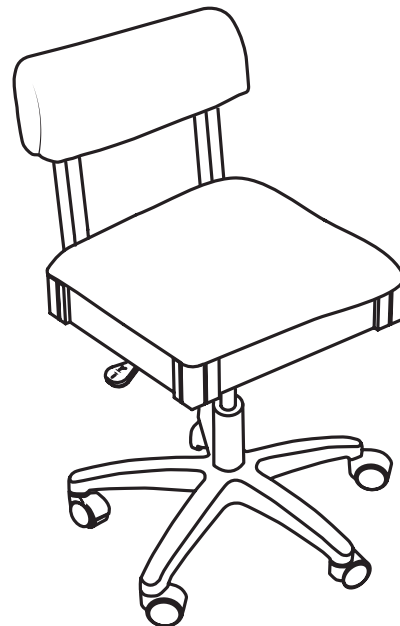


Insert

Arrow Sewing Chairs

Our sewing chairs are designed to provide comfort, support, and the fashionable look you want for your space. Our chairs are the perfect accessory for any craft and sewing room and are offered in several fabric and color options. "They provide necessary lumbar support and comfort for long term sewing. Arrow chairs also have a hidden storage compartment under the seat, perfect for hiding small notions, patterns, and anything else you need.

Visit your local Arrow dealer or arrowcabinets.com for ordering information.



Hydraulic Sewing Chair

P.O. Box 307 Delavan, WI 53115

1-800-533-7347

cs@arrowcabinets.com

www.arrowcabinets.com

09-18