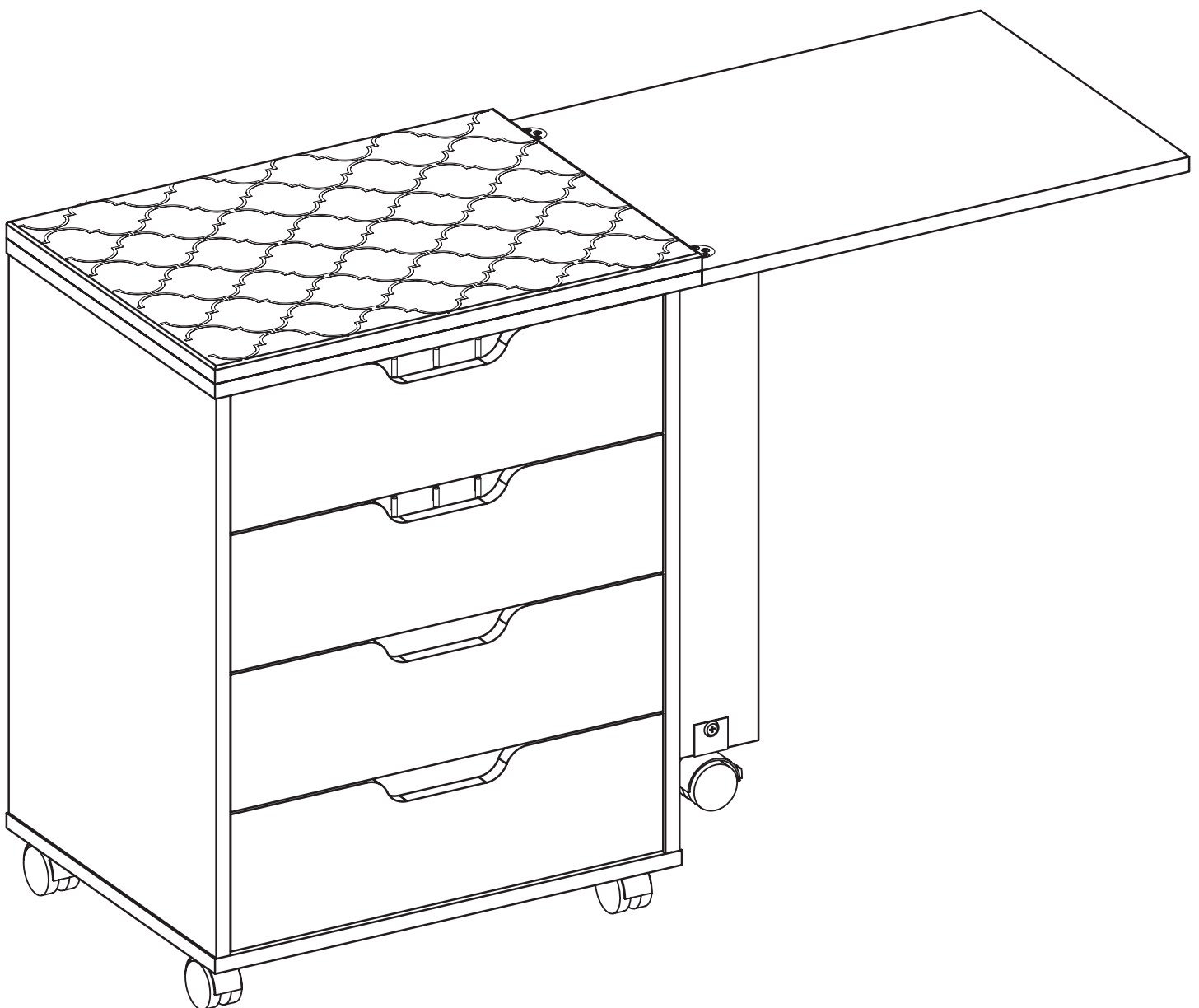


ASSEMBLY INSTRUCTIONS

Shirley

ITEM NO.: 441 White
 445 Teak



General Assembly Guidelines

1. Read the instructions carefully before beginning the assembly process to ensure proper assembly of this product. Please open and inspect the contents of box(es) to see that all parts and hardware are included.

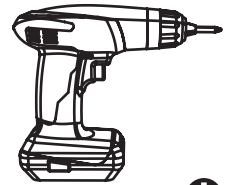
2. Tools Required




Phillips Screwdriver 

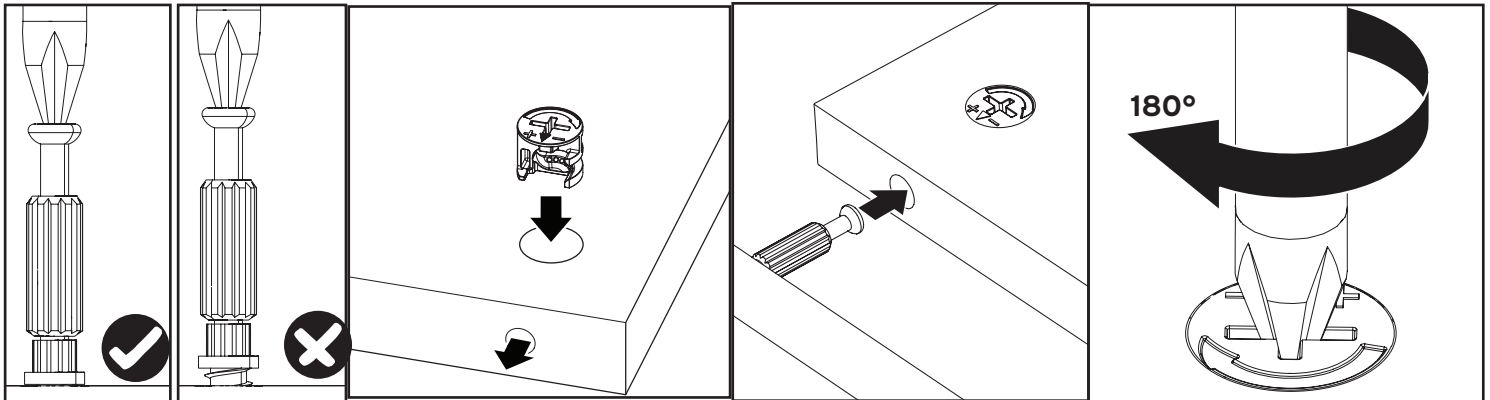


Hammer



Electric Screwdriver 
Torque set at 3-5

3. Understanding How the Cam Fastener Works



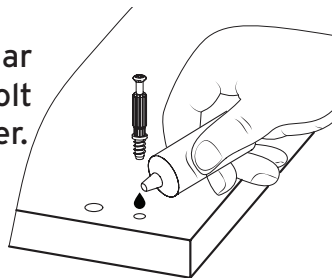
Screw cam bolts flush as illustrated.

Press cam into hole until flush with surface. The arrow direction must be in the direction of the hole.

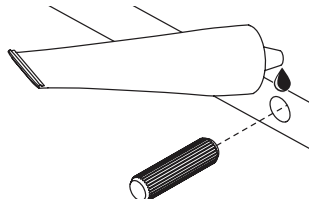
Insert bolt through pre-drilled hole in edge of panel.

Turn clockwise to lock cam with bolt.

Tip: place a small bit of WD-40 or similar lubricant into the pre-installed cam bolt holes to help the cam bolts screw in better.



4. **Glue** provided is to secure wood dowels in place and is optional. If glue is used during assembly, locate the appropriate hole for the dowel, place a small amount of glue in the hole and insert the dowel. Wipe away excess glue immediately. It is not necessary to glue the other end of the dowel when attaching to other parts.

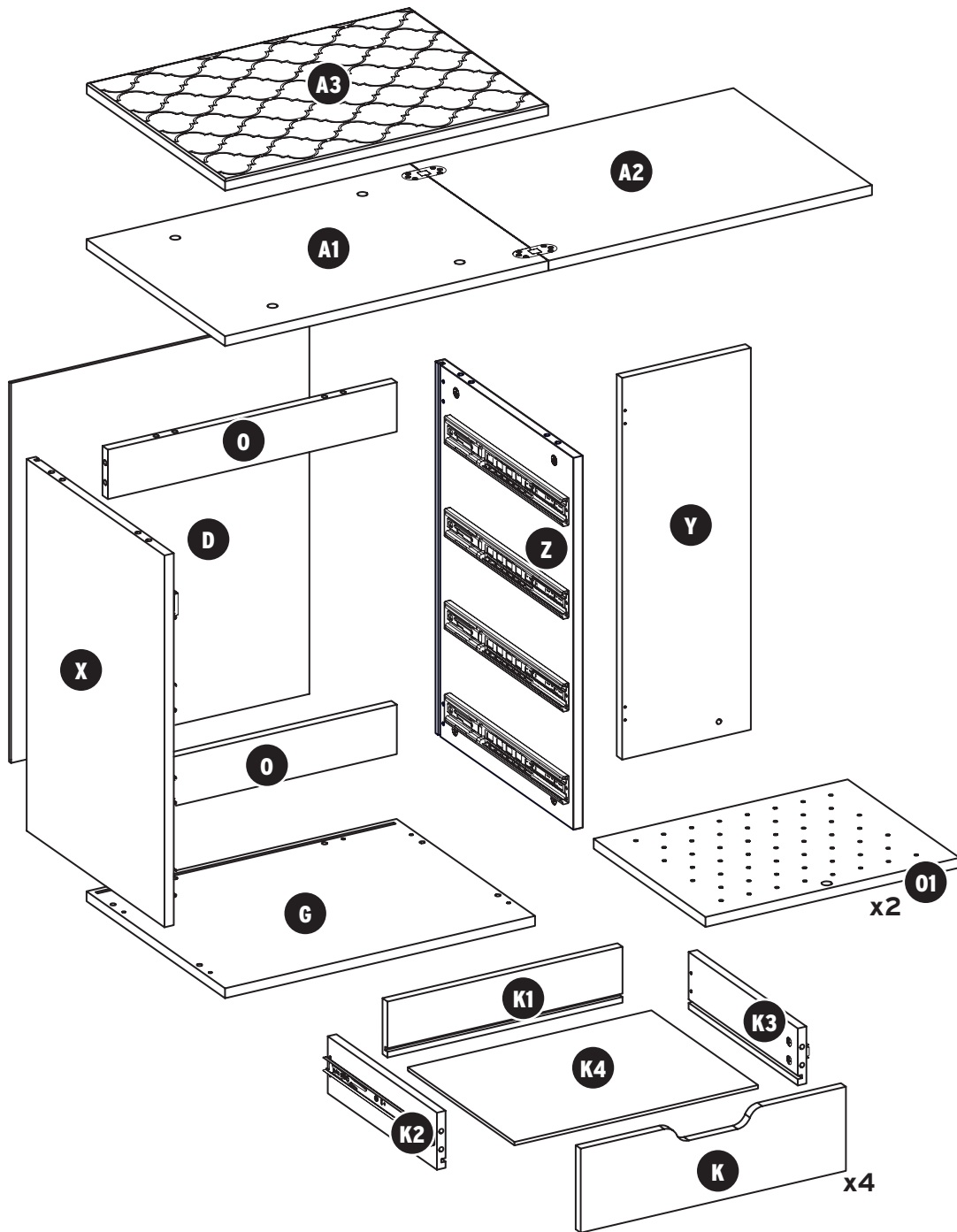


Use and Care

Your cabinet normally requires a minimum amount of maintenance; however, it is worth noting the following for regular cleaning:

To remove marks and enhance the surface, wipe with a gentle all-purpose cleanser. **DO NOT** use ammonia-based, harsh chemicals or abrasive cleaning agents. Wipe dry immediately.

Parts List: Panels

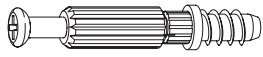


ITEM	DESCRIPTION	QTY.	PACK.	ITEM	DESCRIPTION	QTY.	PACK.
A1/A2	Top Panel	1	1 of 2	O	Back Support Panel	2	2 of 2
G	Bottom panel	1	1 of 2	Y	Gate Leg Panel	1	2 of 2
D	Back panel	1	1 of 2	K	Drawer Front	4	2 of 2
X	Left side panel	1	1 of 2	K1	Drawer Back	4	2 of 2
Z	Right side panel	1	1 of 2	K2	Left Side Drawer	4	2 of 2
A3	Ironing Board Top	1	1 of 2	K3	Right Side Drawer	4	2 of 2
				K4	Drawer Bottom	4	2 of 2
				O1	Spool Thread Holder Panel	2	2 of 2

Parts List: Hardware

TIP: Keep all the parts in their individually labeled bags. This will make finding parts easier as you assemble your cabinet.

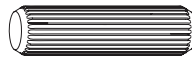
NOTE: **P Brackets** shown below are an optional part, used to add extra stability to the back panel of your cabinet. If you choose not to use them, the function of your cabinet will not be affected.



c1 6x35 Cam Bolt **x36**



c2 $\frac{5}{8}$ " Cam Cover **x36**



d1 8x30 Dowel Pin **x10**



6x30 Dowel Pin **x106**



s1 4x16 Screw **x16**



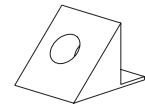
s2 3.5x14 Screw **x12**



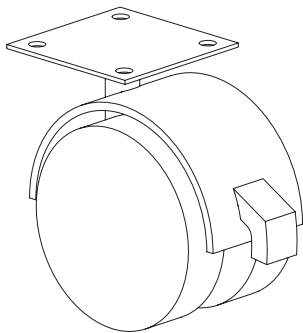
s3 3.5x30 Screw **x16**



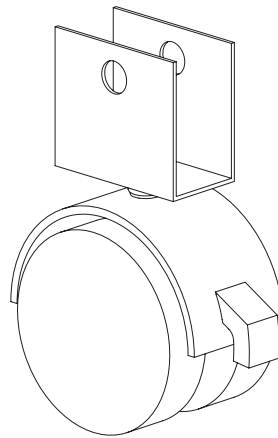
b 6x28 Bolt and nut **x1**



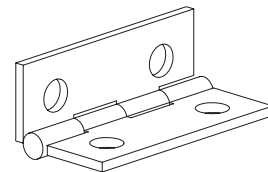
p P Brackets **x4**



t1 Plate Caster **x4**

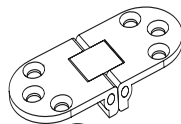


t2 Caster **x1**



h2 Hinge **x2**

Pre-installed parts



h4
Snag Free Hinge



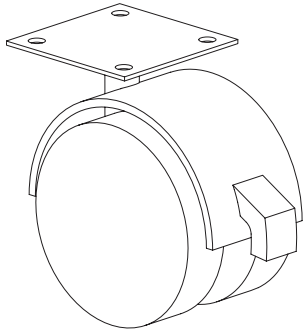
c5 Cam



Drawer Runners

Part One: Cabinet Shell

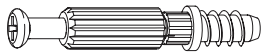
Congratulations and welcome to Arrow Sewing Furniture! We can't wait to get your brand new Shirley Storage Cabinet up and running. Please contact our Customer Service Team at 1-800-533-7347 ext. 1 during normal business hours with any assembly related questions.



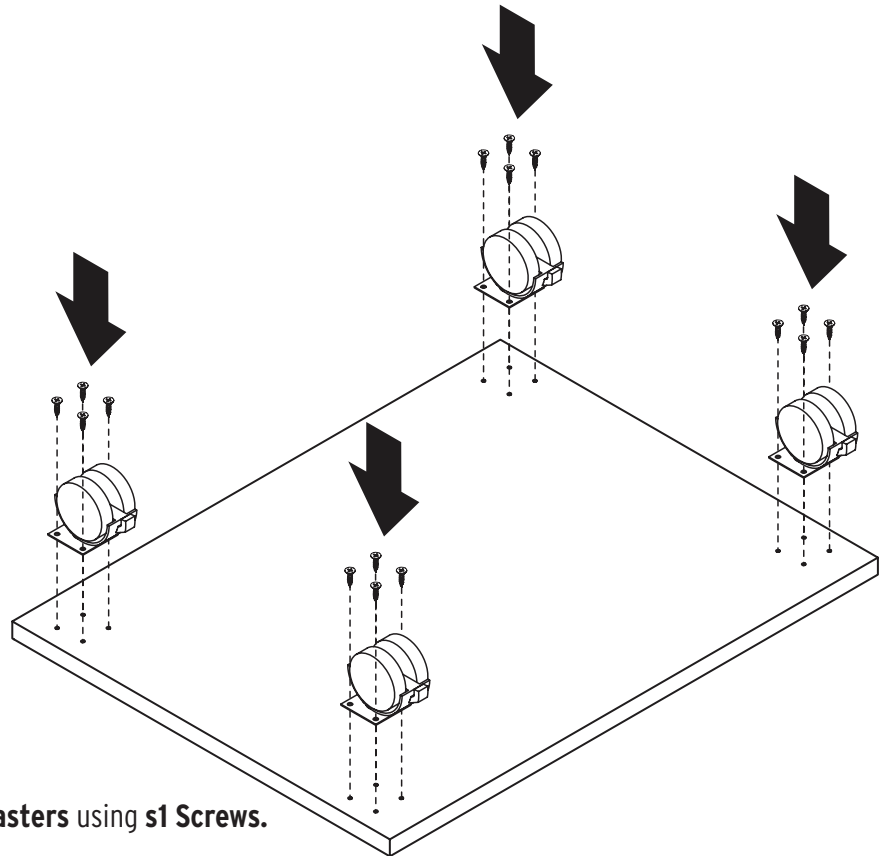
t1 Plate Caster **x4**



s1 4x16 Screw **x16**

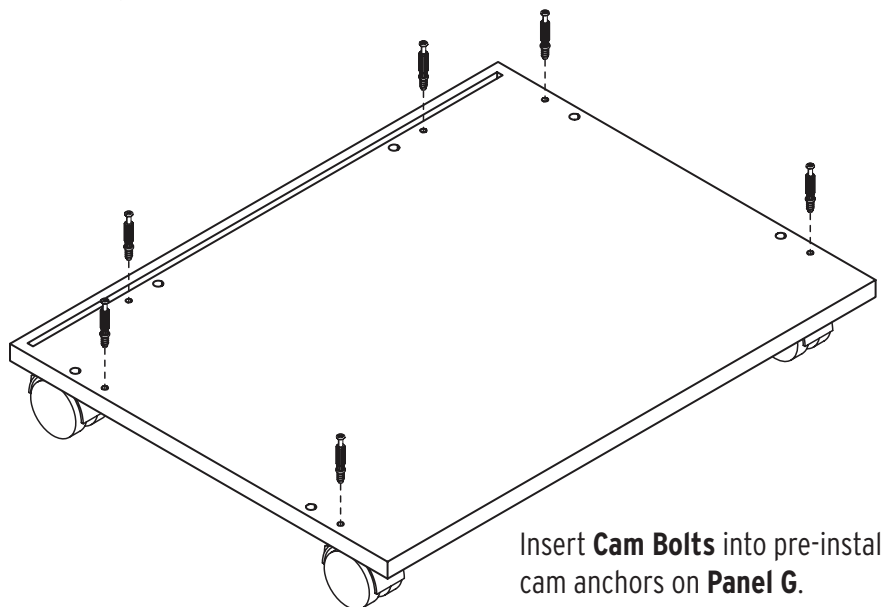


c1 6x35 Cam Bolt **x6**



Attach **t1** Plate Casters using **s1** Screws.

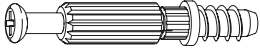
Lock the **Casters** and flip **Panel G** over.



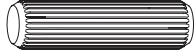
Insert **Cam Bolts** into pre-installed cam anchors on **Panel G**.

Set **Panel G** aside.

Part One: Cabinet Shell

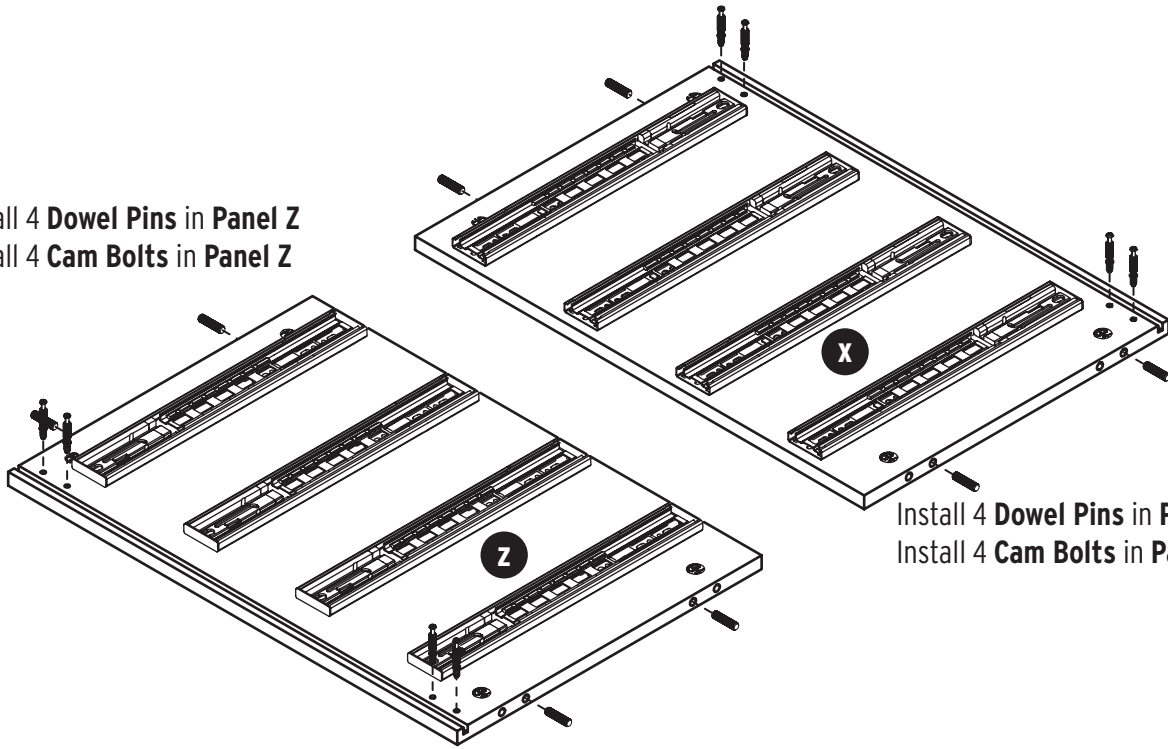


c1 6x35 Cam Bolt **x8**

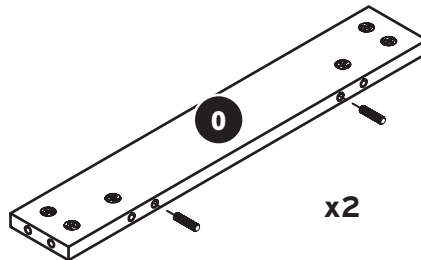


d1 8x30 Dowel Pin **x12**

Install 4 **Dowel Pins** in **Panel Z**
Install 4 **Cam Bolts** in **Panel Z**

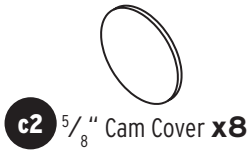


Install 4 **Dowel Pins** in **Panel X**
Install 4 **Cam Bolts** in **Panel X**

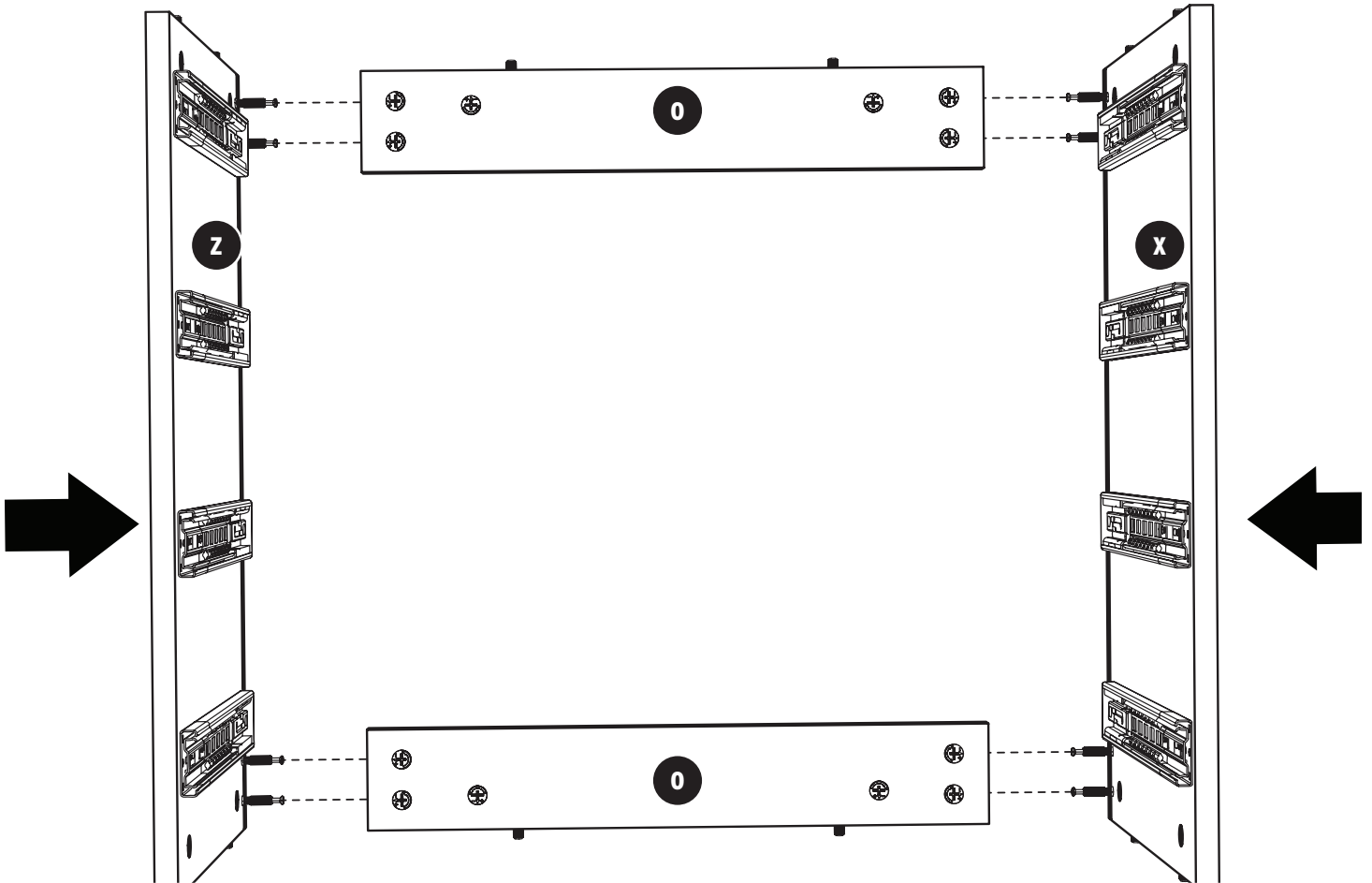


Insert 2 **Dowel Pins** in each of the two **Panel 0** pieces.

Part One: Cabinet Shell

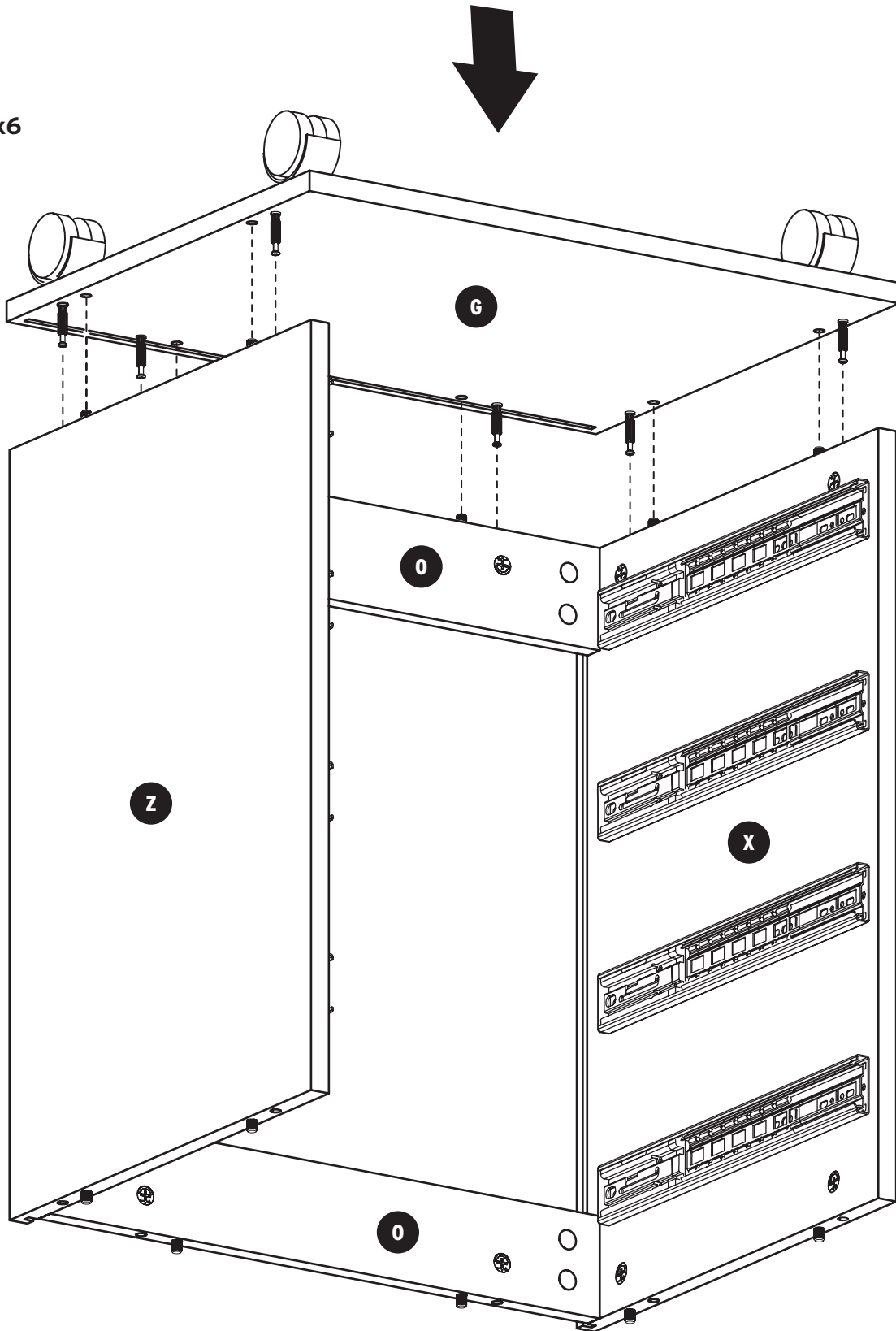
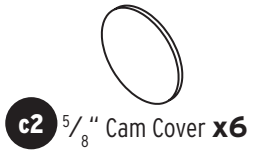


NOTE: The image below shows UPSIDE DOWN construction. This will make installing the base of the cabinet easier in the next step.



Attach **Panels Z and X** to **O Panels**. Tighten **Cams** and apply **Cam Covers**.

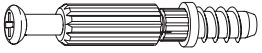
Part One: Cabinet Shell



Attach **Panel G**. Tighten **Cams** and apply **Cam Covers**.

Make sure **Plate Casters** are locked and turn the cabinet over onto its wheels. You may need a friend to help you, but it is not required.

Part One: Cabinet Shell

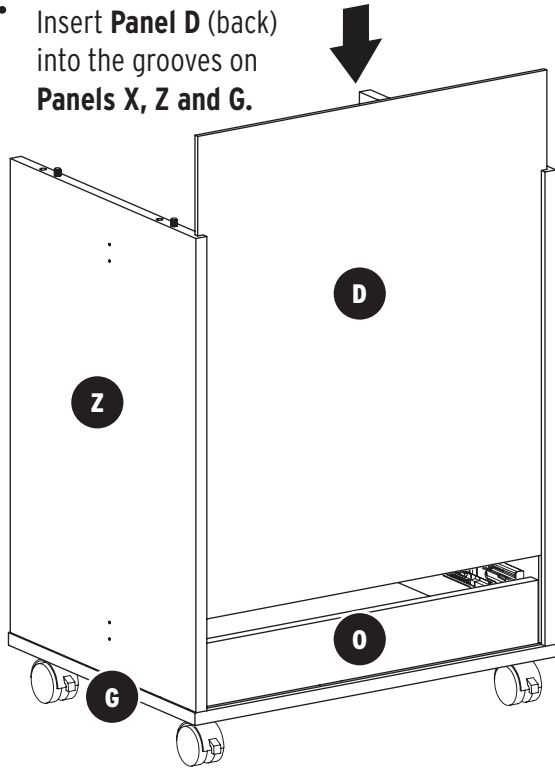


c1 6x35 Cam Bolt **x6**

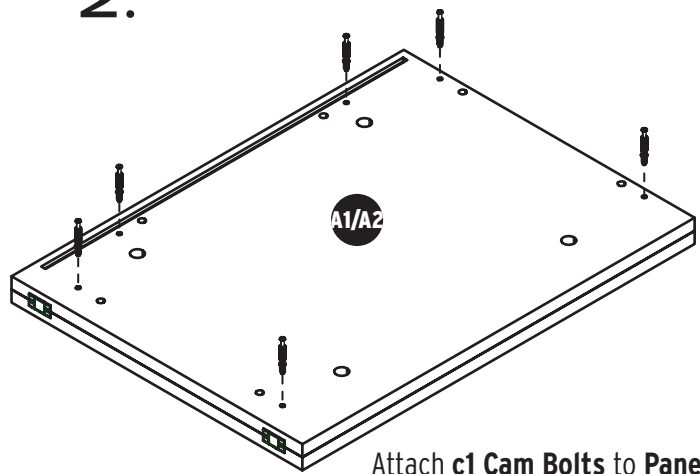


c2 $\frac{5}{8}$ " Cam Cover **x6**

- 1.** Insert **Panel D** (back) into the grooves on **Panels X, Z and G**.

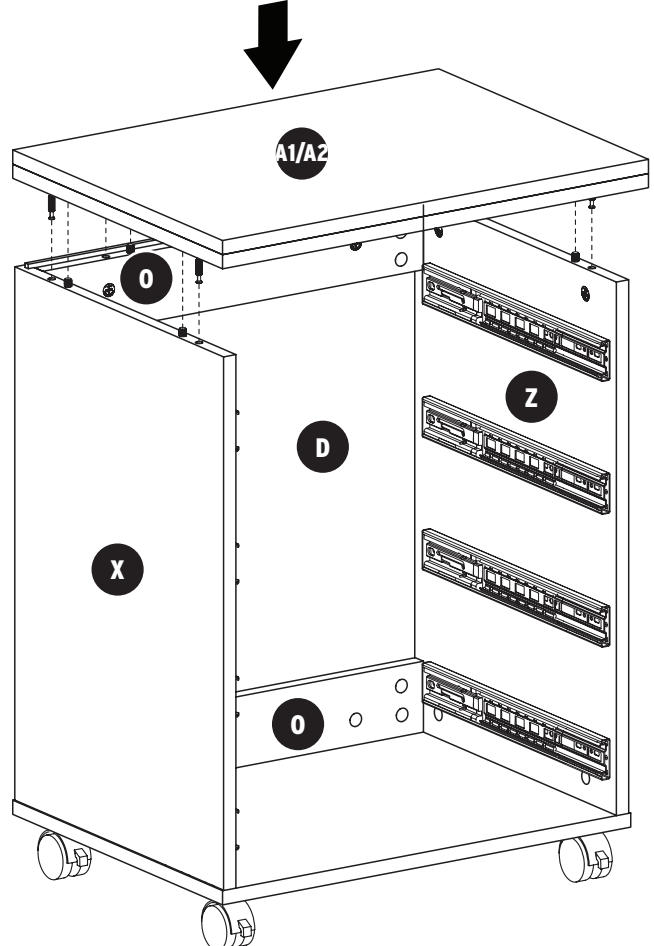


- 2.**



Attach **c1** Cam Bolts to **Panel A1/A2**.

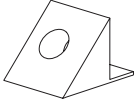
- 3.** Attach **Panels A1/A2** to **Panels X, Z and O** as shown. Tighten **Cams** and apply **Cam Covers**.



Part One: Cabinet Shell

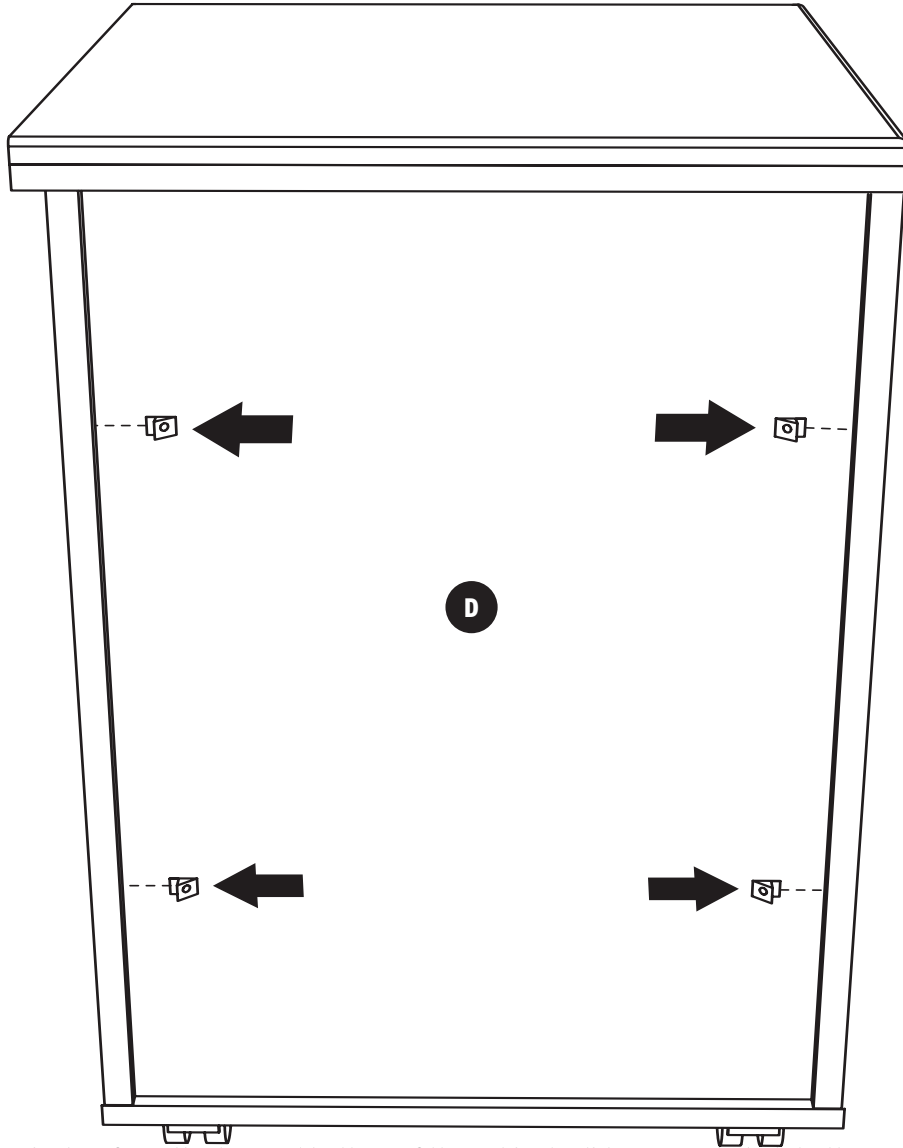


s1 x4



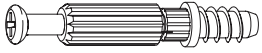
p x4

P-Brackets are optional. They work to help stabilize the back panel of your cabinet. If you choose not to use them, your cabinet will still function as it should.



Measure approximately 8 inches from the top and bottom of the cabinet. Slide **P-Brackets** into the seams between **Panel X** and **Panel D**, and between **Panel Z** and **Panel D**. Secure with **s1 Screws**.

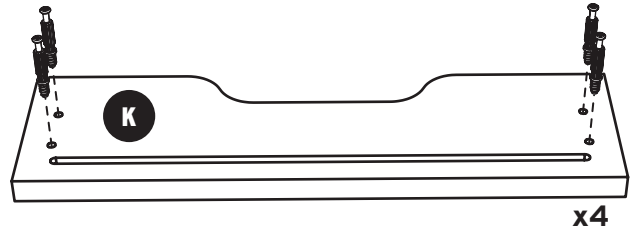
Part Two: Drawers



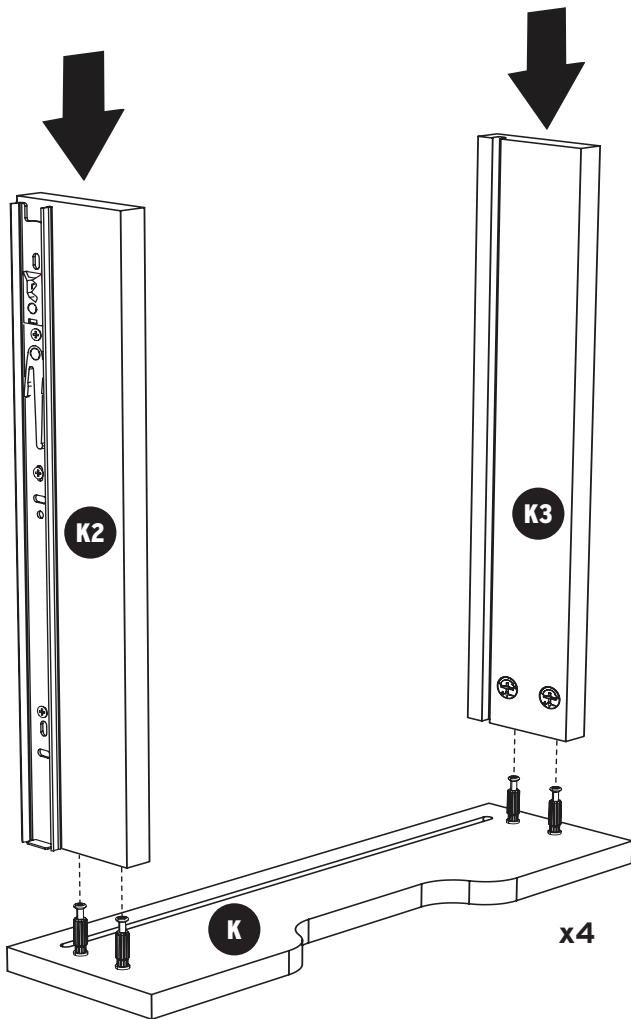
c1 6x35 Cam Bolt **x16**



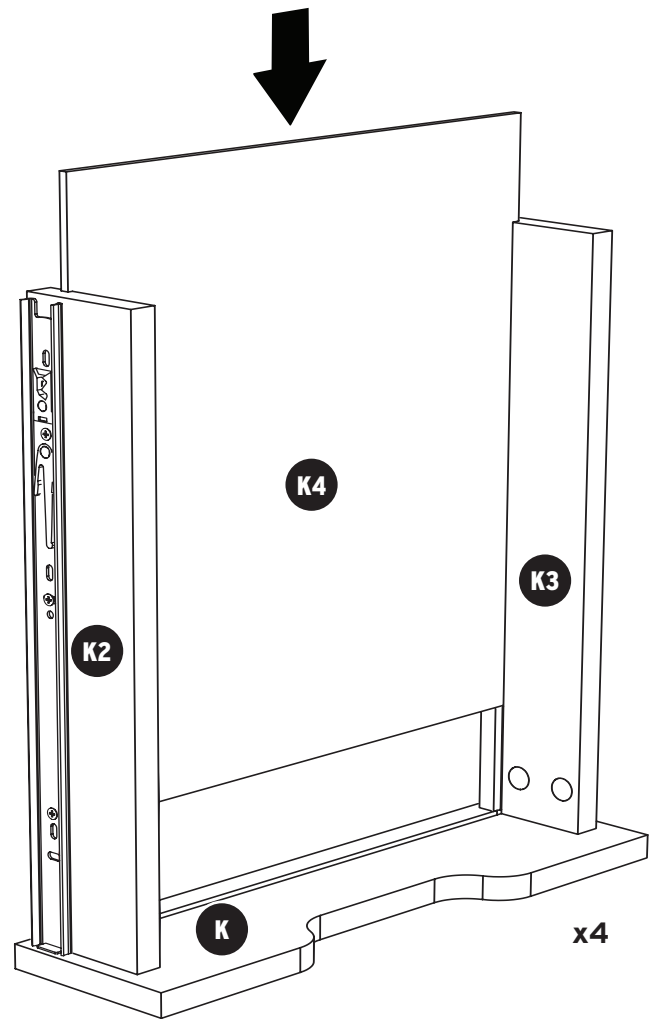
c2 5/8" Cam Cover **x16**



Prep drawer front **Panel K** as shown above by installing 4 **c1** Cam Bolts. *Repeat x3 (4 drawer fronts total)*

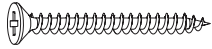


Attach side **Panels K2 and K3** to drawer front **Panel K**. Tighten **Cams** and apply **Cam Covers**. *Repeat x3 (4 sets of drawer sides total)*

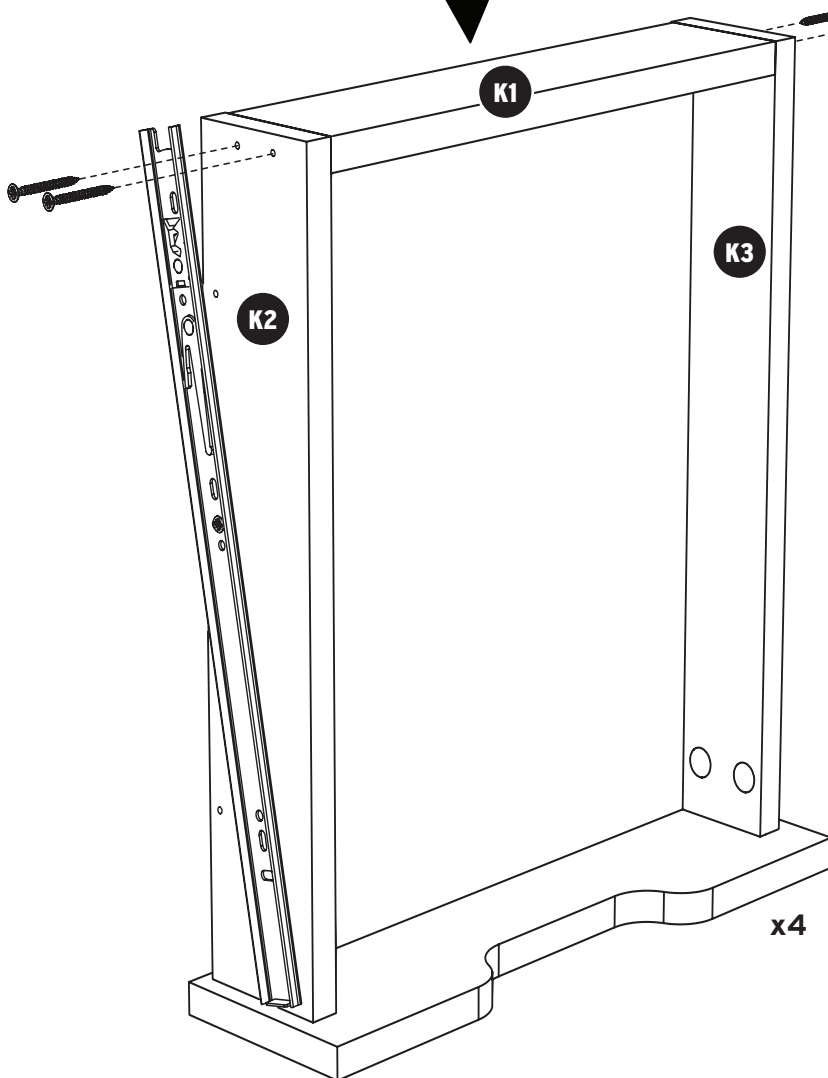
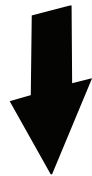
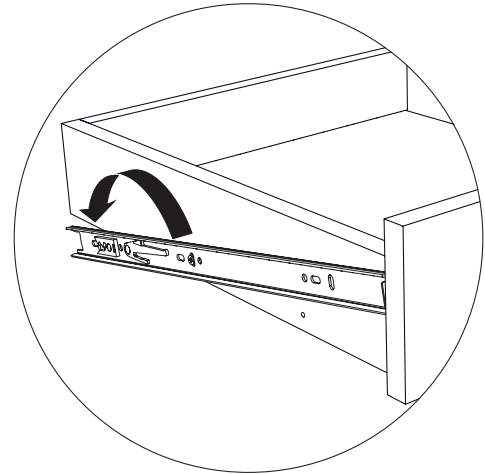
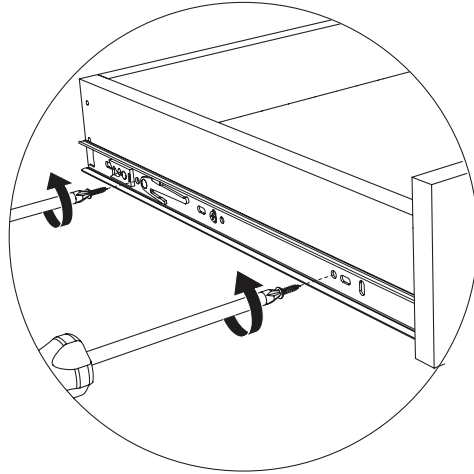


Slide drawer bottom **Panel K4** into the grooves on **Panels K, K2 and K3**. *Repeat x3 (4 sets of drawer sides total)*

Part Two: Drawers



s3 3.5x35 Screw **x16**



To reach the pre-drilled screw holes on the sides of **Panels K2 and K3**, you will need to tilt the drawer runners.

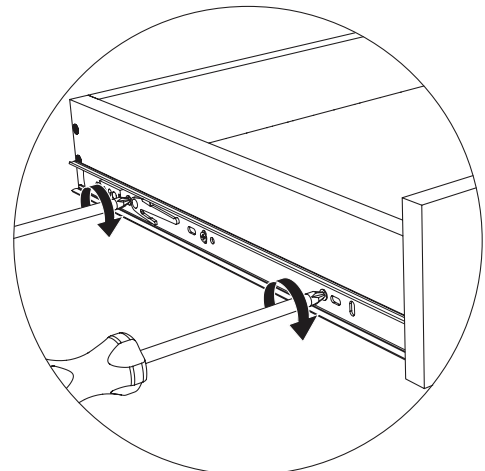
Remove the front and back screws on the drawer runners, leaving the middle screw installed. Pivot the drawer runners to access screw holes as shown above.

Attach back **Panel K1** using **s3 Screws**.

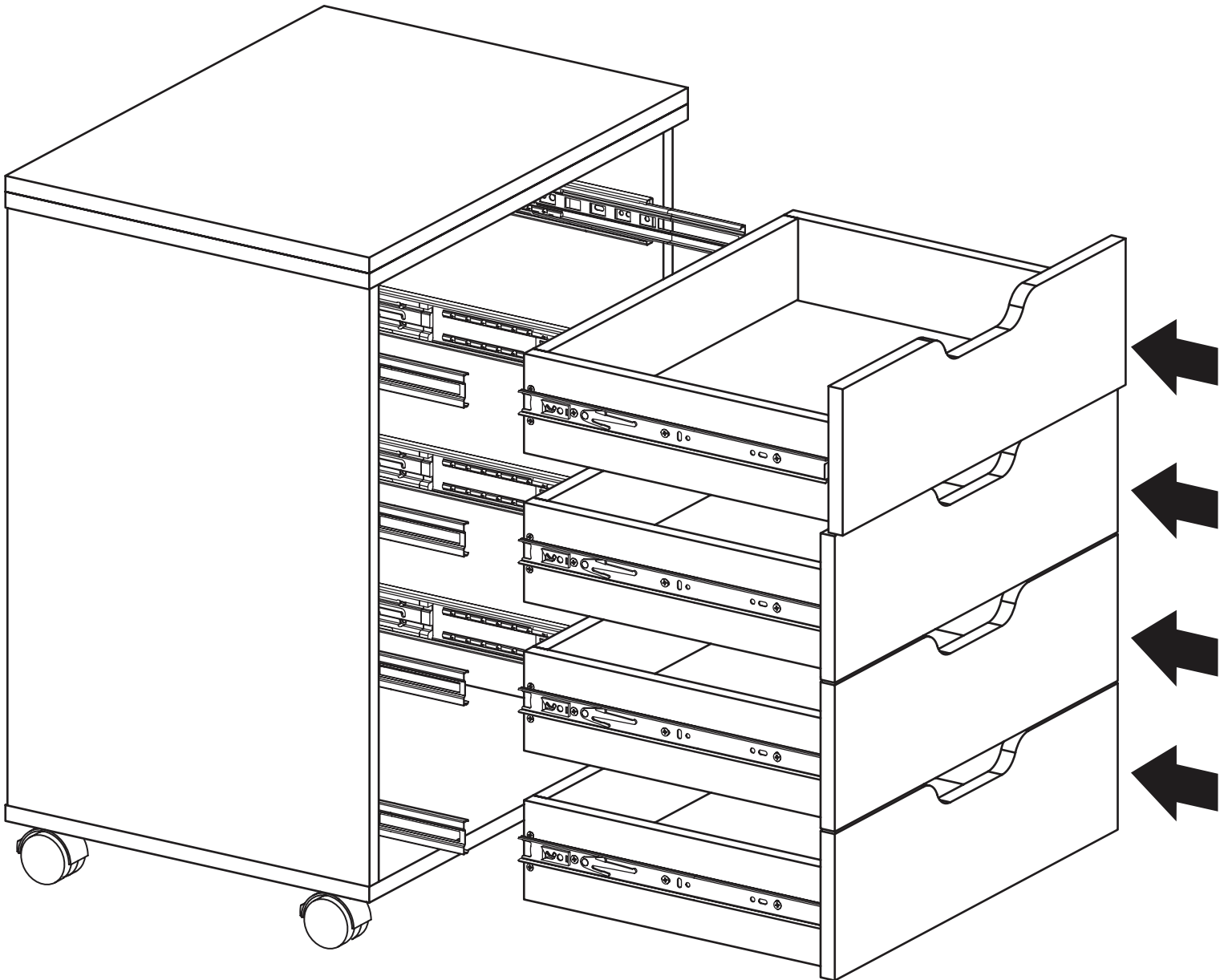
Realign drawer runner and replace screws on drawer runner as shown below.

Repeat x3 (4 drawers total)

Our customer service agents are ready to help! Call us at 1-800-533-7347, ext. 1.



Part Two: Drawers



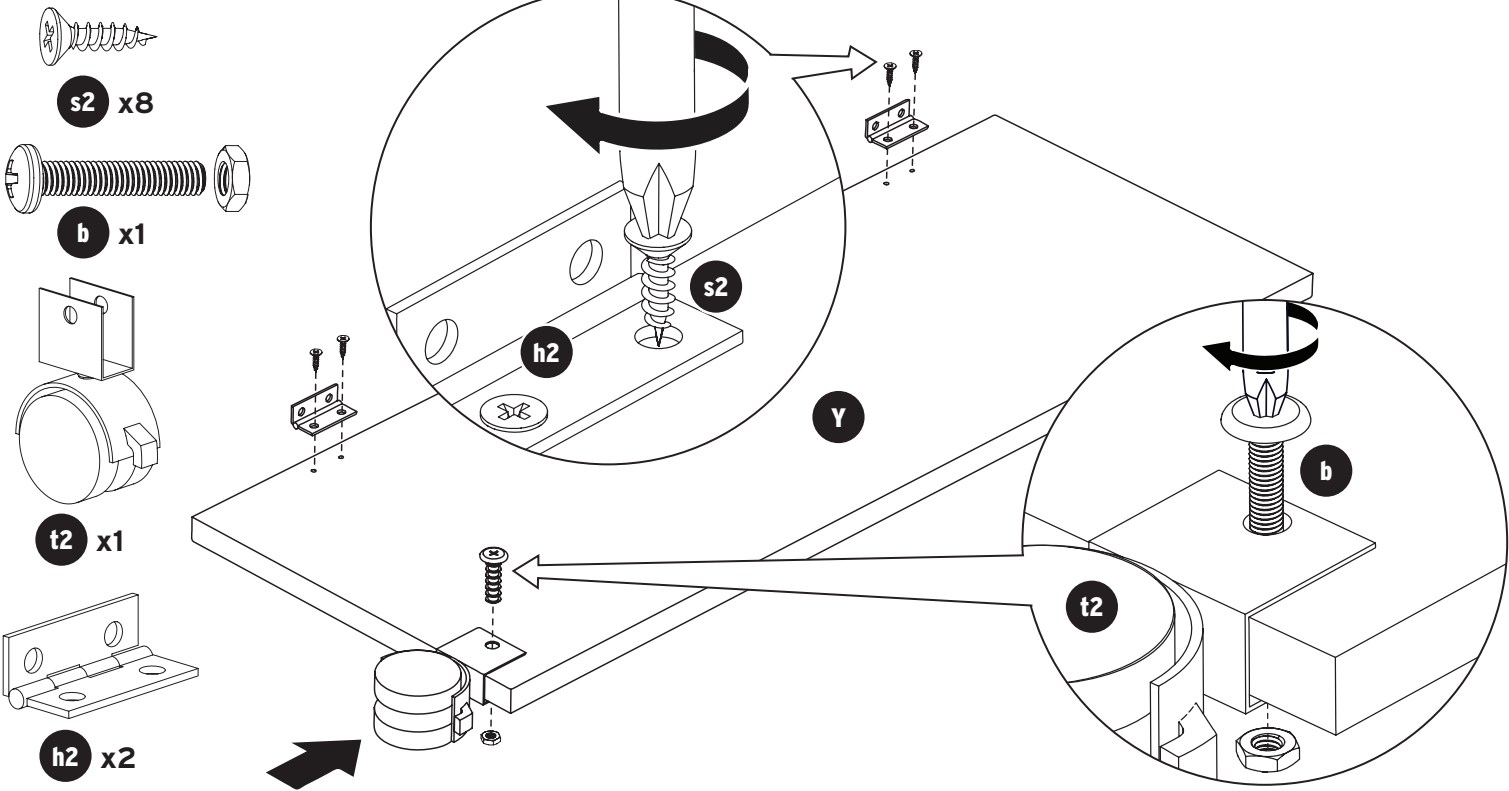
Fully extend the cabinet rails, align drawer rails, and slide drawers into caddy.

Be sure that the silver ball bearing pieces are positioned all the way to the front of the rails.

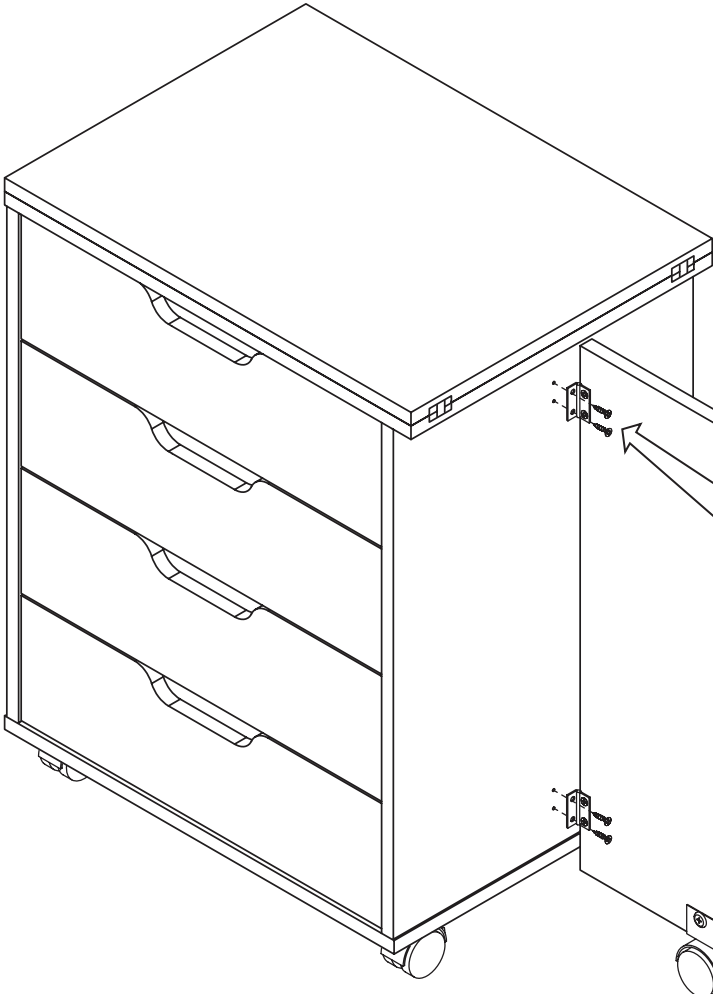
TIP: Gently open and close the drawers a few times to engage the Soft Close mechanism.

For detailed video instructions on how to install/adjust your soft close drawers, go to www.arrowsewing.com/assembly. At the bottom of the webpage you will find our Product Support Videos.

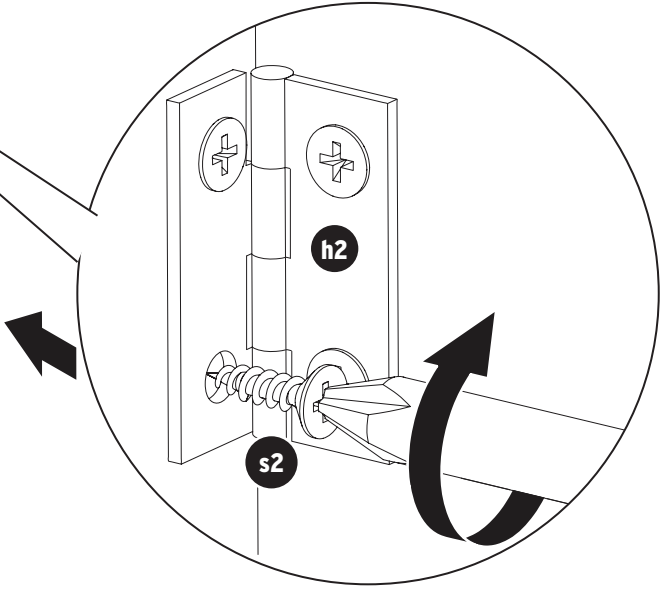
Part Three: Gate Leg



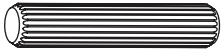
Assemble **Panel Y** as shown, attaching h2 Hinges with s2 Screws, and attaching t2 Castor with b Bolt and Nut.



Attach **Panel Y** to **Panel Z** with s2 Screws as shown.



Part Four: Thread Spool Holders

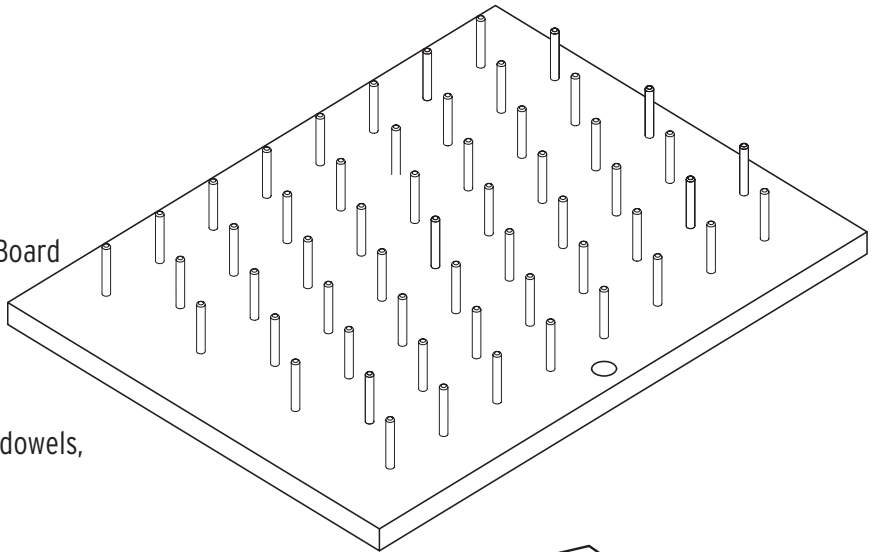


6x30 Dowel Pin **x106**

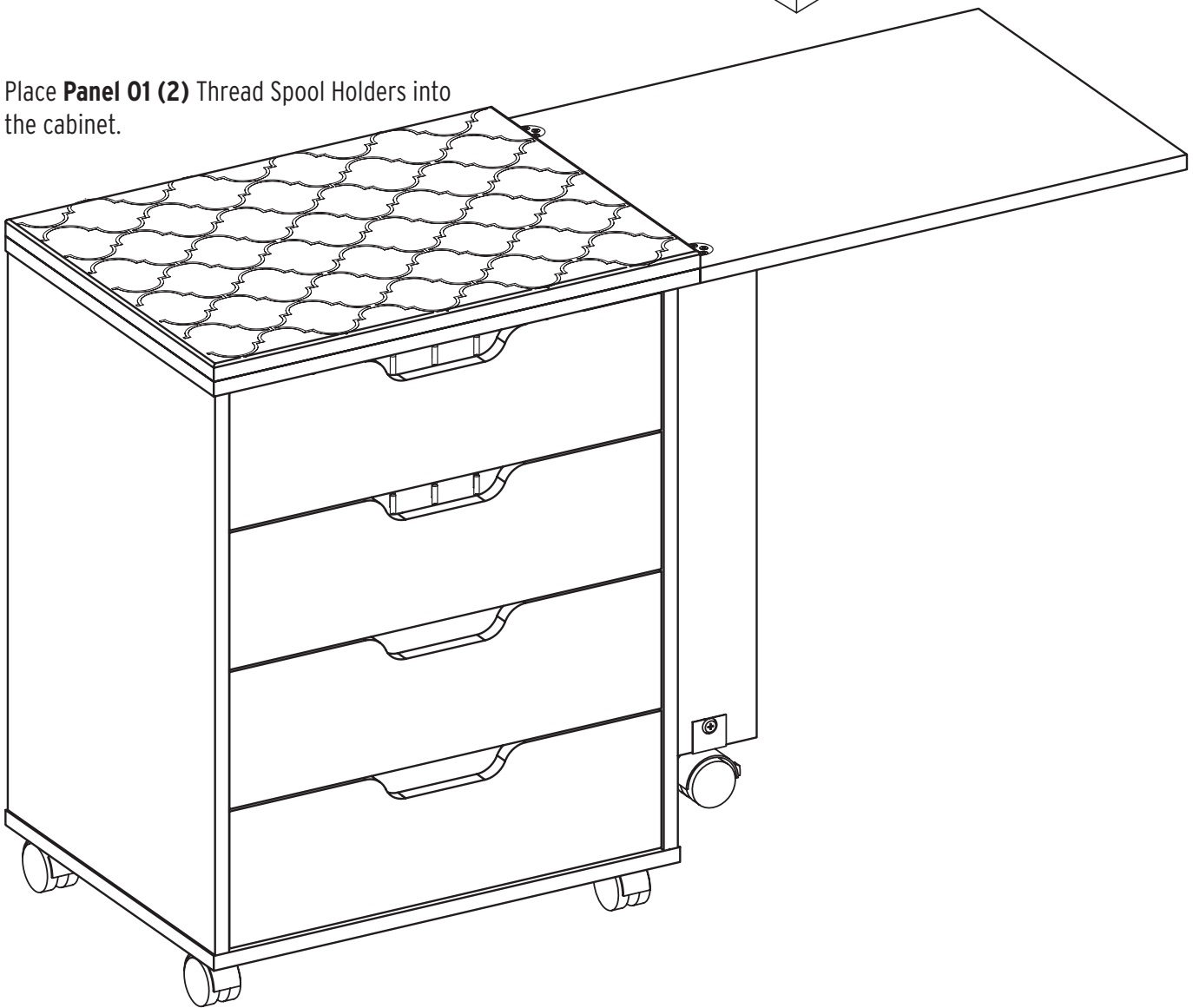
Insert **6x30 Dowel Pins** into Thread Spool Board **Panel 01**.

Repeat with second **Panel 01**.

You may choose to use glue to secure your dowels, but it is not required.



Place **Panel 01 (2)** Thread Spool Holders into the cabinet.



Congratulations! A better sewing experience awaits!



LIMITED WARRANTY

Arrow Classic Sewing Furniture 10-Year Warranty

WHAT THIS WARRANTY COVERS: Arrow Companies, LLC (Arrow) provides limited warranty coverage to the original purchaser of this product against defects in materials or workmanship of Arrow furniture components for a period of ten years from the date of purchase. As used in this Warranty, "defect" means imperfections in components which substantially impair the utility of the product. This Warranty gives you specific legal rights, and you may also have other rights which vary from state to state.

HOW TO GET SERVICE: Simply contact Arrow at 1-800-533-7347 or CS@ArrowSewing.com. When you request warranty service, you must also present proof of purchase documentation, which includes the date of purchase (detailed receipt), and photos of the product. Arrow will replace any defective part (at its sole option), excluding labor. Replacement parts will be warranted for only the remaining period of the original Warranty.

Replacement parts will be shipped freight prepaid on any initial warranty claim during first year of Warranty only. Warranty applies only to defects confirmed by Arrow Companies, LLC and will be replaced or repaired at Arrow's option. In the event parts are no longer available for a warranty claim, customer may receive brand new cabinet at a price equal to 60% off the MSRP of a current comparable model.

WHAT'S NOT COVERED: There is no Warranty coverage for defects or conditions that result from the following: Failure to follow product assembly instructions, information or warnings; misuse or abuse; intentional damage; fire, flood, alteration or modification of the product; use of the product in a manner inconsistent with its intended use; any condition resulting from incorrect or inadequate maintenance, cleaning, care or neglect; cuts or scratches; caster damage as a result of moving furniture fully loaded or with locked casters; damage resulting from electrical surge or lightning; or use in commercial or education environments. Arrow Sewing Furniture is designed for residential use only.

ARROW SHALL HAVE NO LIABILITY for ANY INCIDENTAL OR CONSEQUENTIAL DAMAGES OF ANY KIND and all such damages are EXCLUDED FROM THIS WARRANTY, such as loss of use, disassembly, transportation, labor or damage to property on or near the product. Some states do not allow the exclusion or limitation of incidental or consequential damages, so the above limitation or exclusion may not apply to you. The Warranty cannot be transferred to subsequent owners or users of the product, and it shall be immediately void in the event the product is resold, transferred, leased or rented to any third party or person other than the original purchaser.

ADDITIONAL LIMITATIONS: THERE ARE NO OTHER WARRANTIES APPLICABLE TO THIS PRODUCT. Under the laws of certain states, there may be no implied warranties from Arrow and all implied warranties, INCLUDING ANY IMPLIED WARRANTY OF MERCHANTABILITY OR FITNESS FOR A PARTICULAR PURPOSE are disclaimed where allowed by law. TO THE EXTENT ANY IMPLIED WARRANTIES ARE APPLICABLE, ANY IMPLIED WARRANTIES, INCLUDING ANY IMPLIED WARRANTY OF MERCHANTABILITY OR FITNESS FOR A PARTICULAR PURPOSE, ARE LIMITED IN DURATION TO THE DURATION OF THIS EXPRESS WARRANTY or the minimum period allowed by law, whichever is shorter. Some states do not allow limitations on how long an implied Warranty lasts, so the above limitation may not apply to you. This limited warranty gives you specific legal rights. This limited warranty does not, in any way, affect the rights given to you by law.

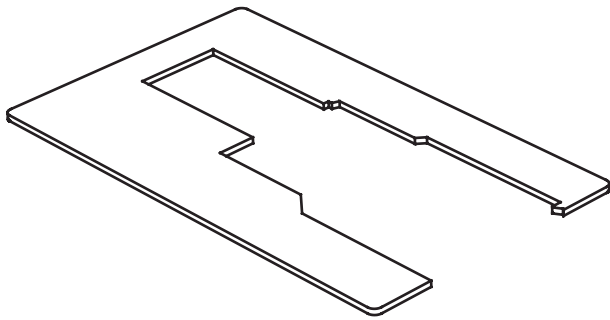
REGISTER YOUR PRODUCT: Original purchaser should register the purchase online at www.ArrowSewing.com/warranty.

COMPLETE YOUR SEWING STUDIO!

Elevate your sewing experience with Arrow's **Best-Selling** Accessories!

Custom Sewing Inserts

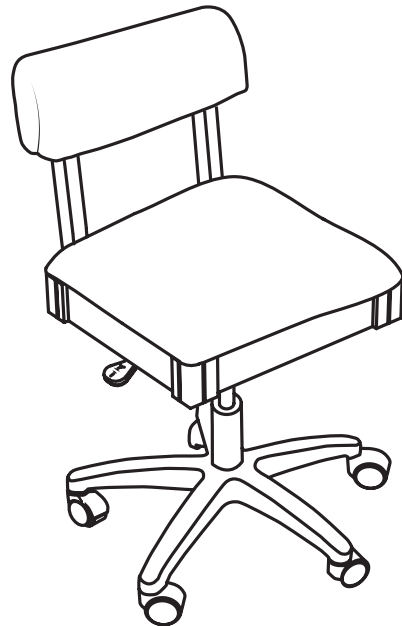
Enhance your sewing experience with a custom acrylic sewing insert! Custom acrylic sewing inserts are designed to fill the gap between your sewing machine and sewing cabinet's lift opening to create a flush, ergonomic surface for flat bed sewing. To ensure a perfect fit, custom acrylic sewing inserts are built specifically for your sewing machine and sewing cabinet combination. Say hello to happy wrists, straighter stitches, and an elevated sewing experience!



Custom Sewing Insert

Sewing Chairs

Arrow's #1 Rated Height Adjustable Sewing Chair is a must have accessory for your dream sewing room! Cute, comfortable and convenient - our lovable sewing chairs feature vibrant sewing themed patterns, 360° swivel access and lumbar support for long hours at your workstation. Don't look now, but under every seat cushion is a hidden storage compartment to store your notions and patterns! Available in 10 colors to perfectly match your sewing sanctuary!



Height Adjustable Sewing Chair