



elf stocking

17.5" h x 10.5" w
(excluding hanging loop)

sewing patterns
BY PATTY YOUNG



A FREE PATTERN BY PATTY YOUNG/MODKID FOR BABY LOCK



Baby Lock's

SNAPPY holidays

Snappy-Sew Project Round-Up

From Baby Lock's Favorite Bloggers



FOR THE LOVE OF SEWING



ELF STOCKING

by Patty Young and Emalee Grambo of MODKID, LLC

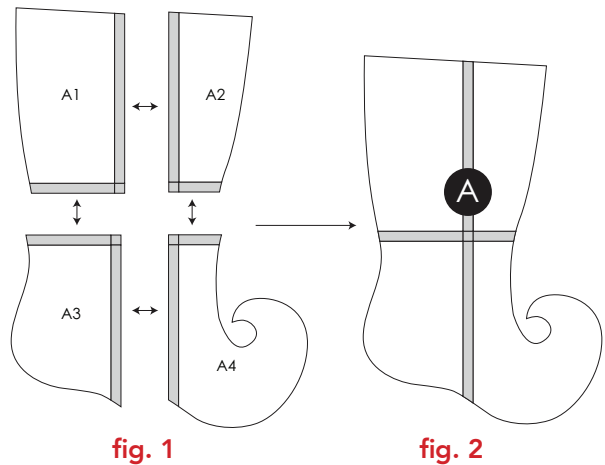
www.modkidboutique.com

Supplies:

- Baby Lock Sewing Machine
- 1/2 yard of fabric #1 or 1/3 yard of non directional fabric (we used **Textured Basics** collection, by Patty Young)
- 1/4 yard of fabric #2 for the cuff (we used **Textured Basics** collection, by Patty Young)
- 1/3 yard of fusible fleece
- Coordinating thread
- (5) Ornamentation for stocking (i.e. jingle bells, pom-poms, beads)
- Sewing pins, fabric scissors, paper scissors and tape
- Tracing Paper and tracing wheel (or water-soluble fabric marker)

Prepare Pattern Pieces:

- Print all pattern pieces at 100% (no scaling).
- Cut **Pattern Pieces A1 through A4** on the outer solid line (including the shaded areas). Overlap the shaded areas as indicated on the pattern pieces and tape together to form your lower "sock" pattern piece, **fig. 1**. This will be referred to as **Pattern Piece A** going forward, **fig. 2**.
- Cut **Pattern Piece B** along the outer solid lines only (do NOT cut along the diagonal dashed lines).

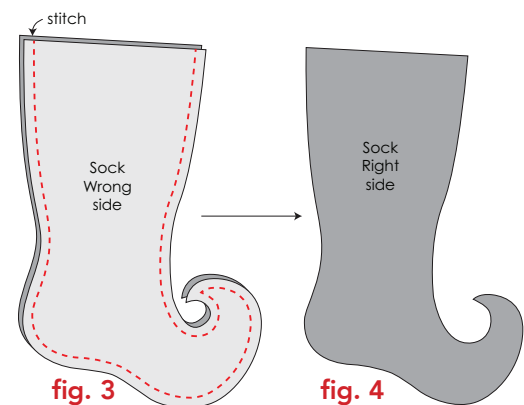


Cut the Fabric Pieces:

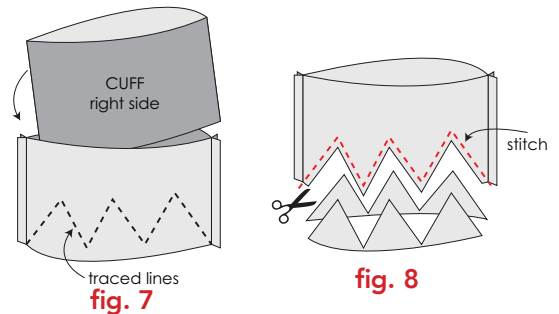
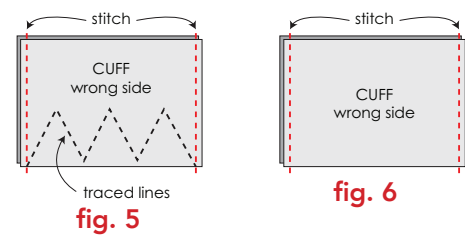
- **Pattern Piece A (Sock):** (2) of fabric #1, (2) of fusible fleece
- **Pattern Piece B (Cuff):** (4) of fabric #2, trace dashed lines onto the wrong side of 2 of these pieces only.
- **Hanging Loop (no pattern piece):** Cut (1) 1.5" wide x 8" long piece

Assemble:

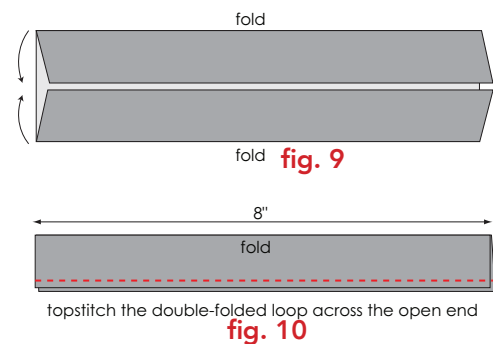
1. Fuse fleece to the wrong side of each **Sock (Pattern Piece A)**. Quilt your Sock as desired. Place each Sock piece, right sides together and pin, aligning all raw edges. Stitch with a 1/2" seam allowance (along the dashed line) all around the Sock, leaving the top open, **fig. 3**. Pivot at the toe point. Trim the seam allowance down to a 1/4" and clip into all curves. Turn the Sock right side out and use a blunt tool to get the curly toe nice and pointy, **fig. 4**. Press around all edges.



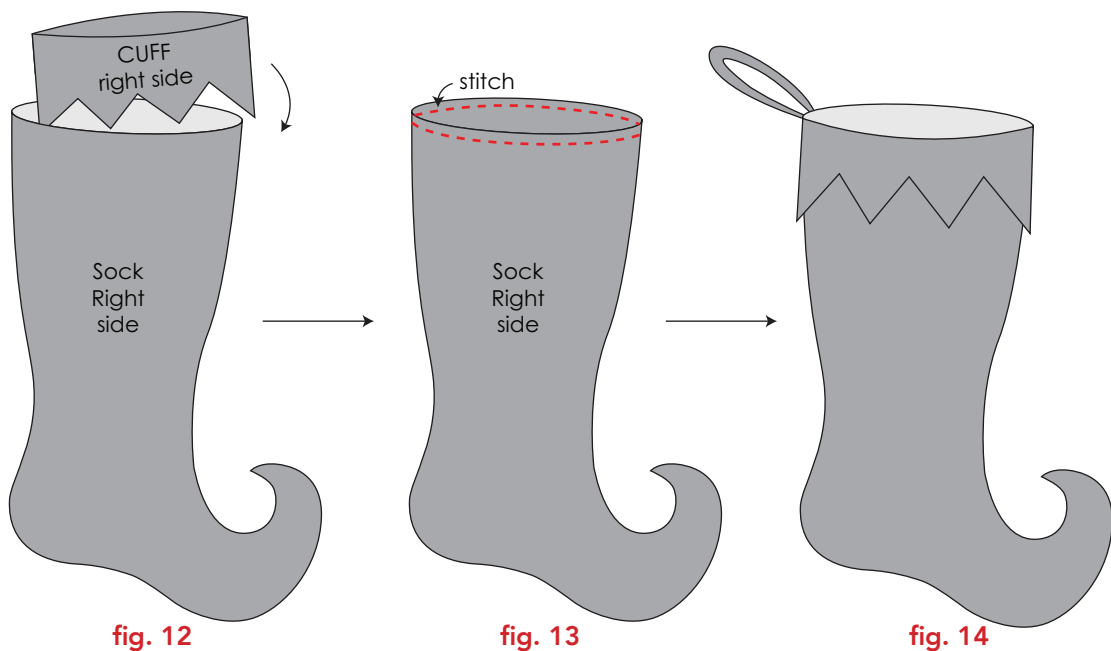
2. Place the two rectangular **Cuff (Pattern Piece B)** pieces with the traced lines, right sides together and stitch along the short sides with a 1/2" seam allowance, **fig. 5**. Do the same with the remaining Cuff pieces, **fig. 6**. Press seams open. Turn the untraced Cuff piece right side out. Place inside the traced Cuff piece with right sides together, **fig. 7**, and pin along the raw edges, aligning the side seams. Baste 1/4" along the bottom raw edge to keep these pieces from shifting. You will now be sewing along the lines you traced from the pattern piece. Trim off the excess fabric below the stitched lines, leaving about a 1/8" seam allowance, **fig. 8**. Clip into each top peak as close as you can without snipping through your stitches and clip each bottom point. Turn Cuff right side out and push out each point with a blunt tool. Press entire Cuff well. Topstitch 1/8" along points.

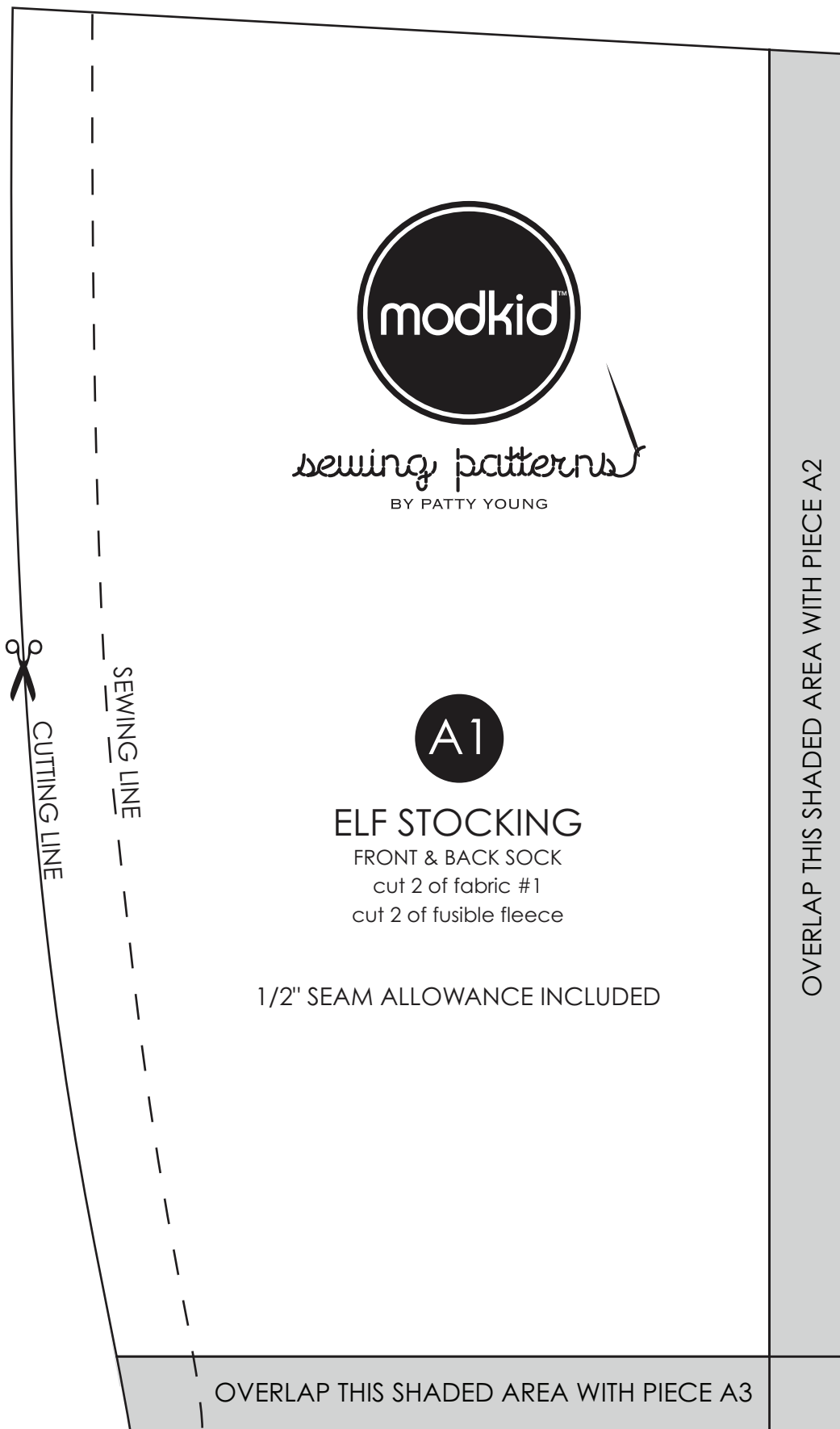


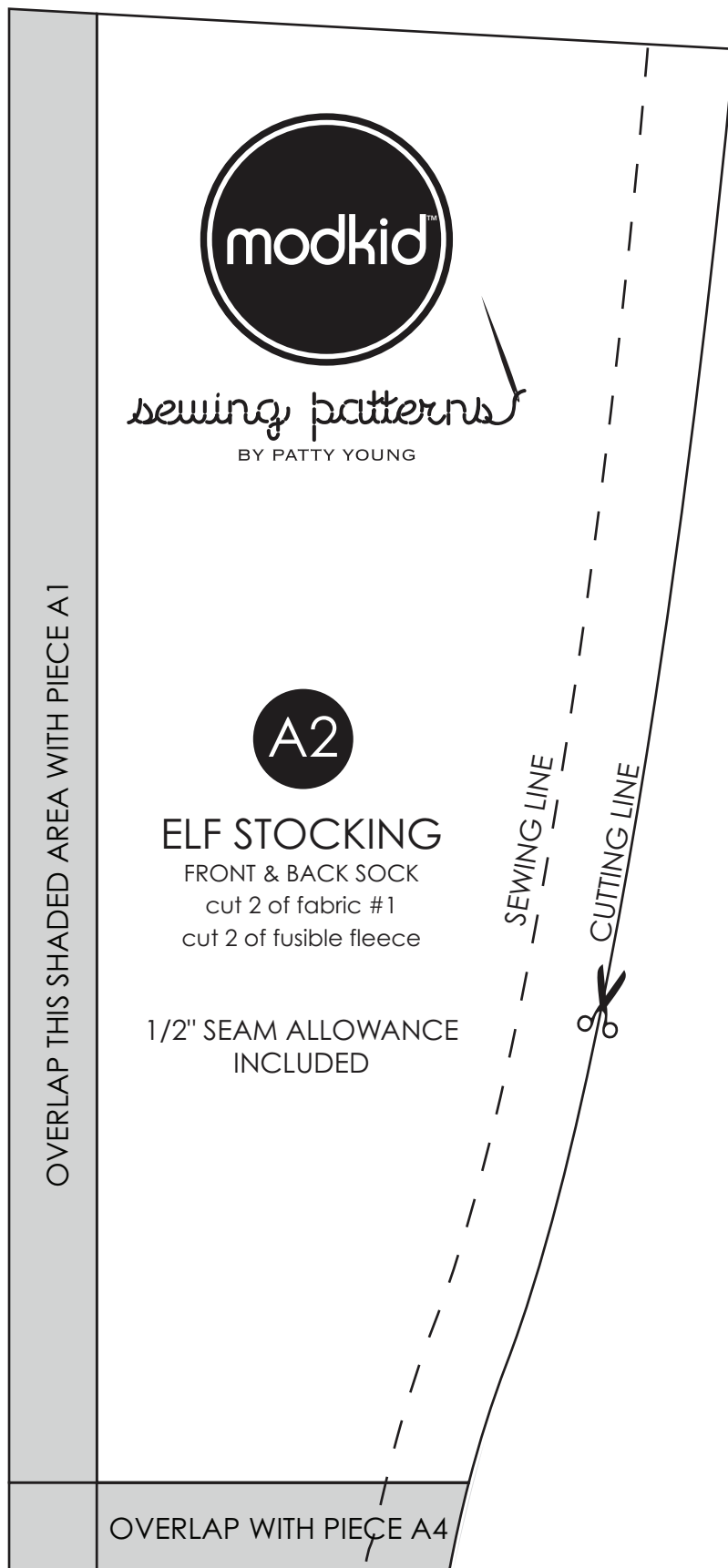
3. Fold the **Hanging Loop** in the same manner as bias tape. To do this, fold the loop in half lengthwise, wrong sides together. Open back up and press each raw edge in toward the center using the first fold as a guide, **fig. 9**. Fold entire piece in half encasing the raw edges. Topstitch along the open edge 1/8", **fig. 10**. Fold Hanging Loop in half, as show in **fig. 11**, pin and baste to the inside of the sock, aligning raw edges at the back seam.

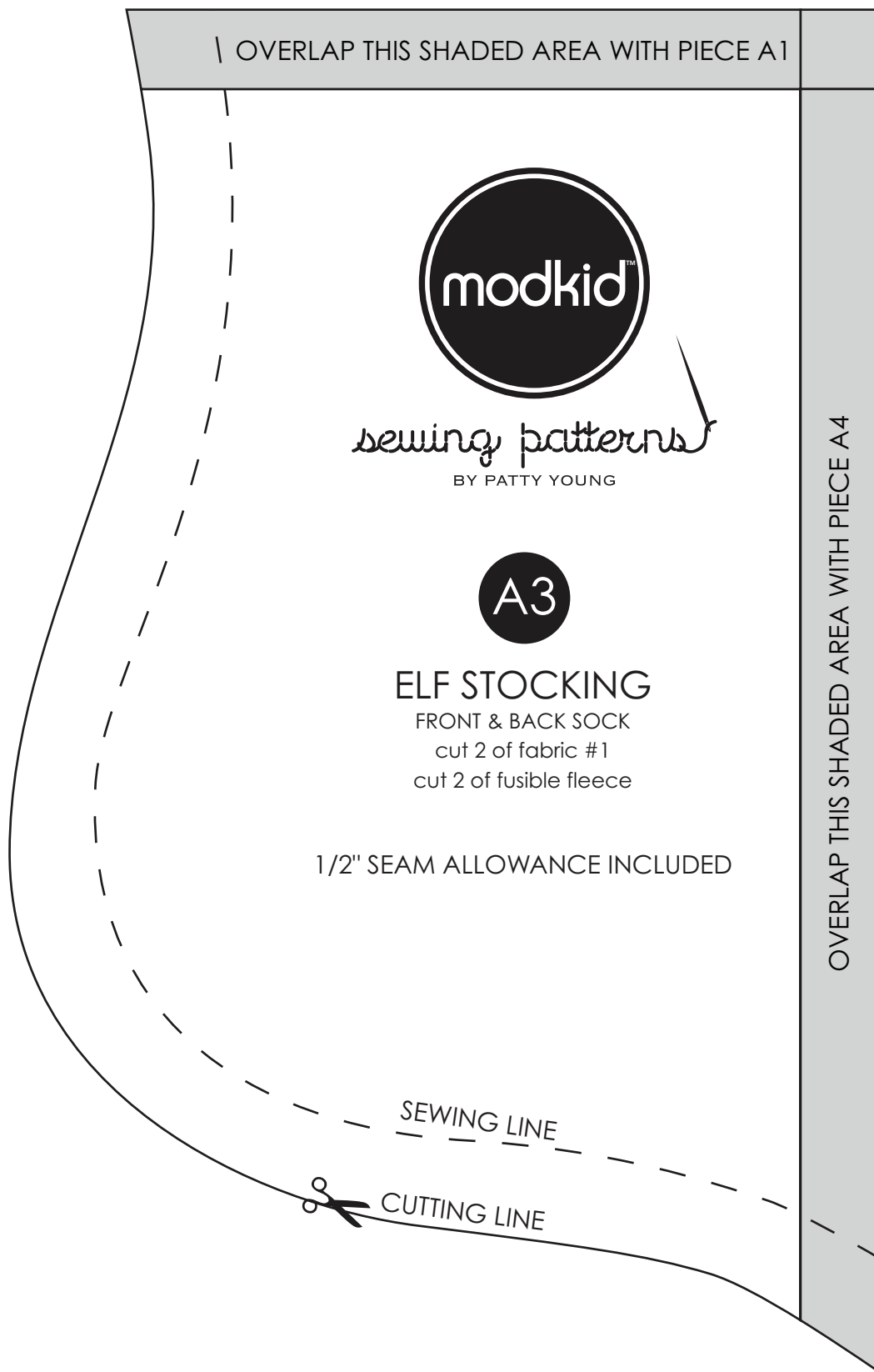


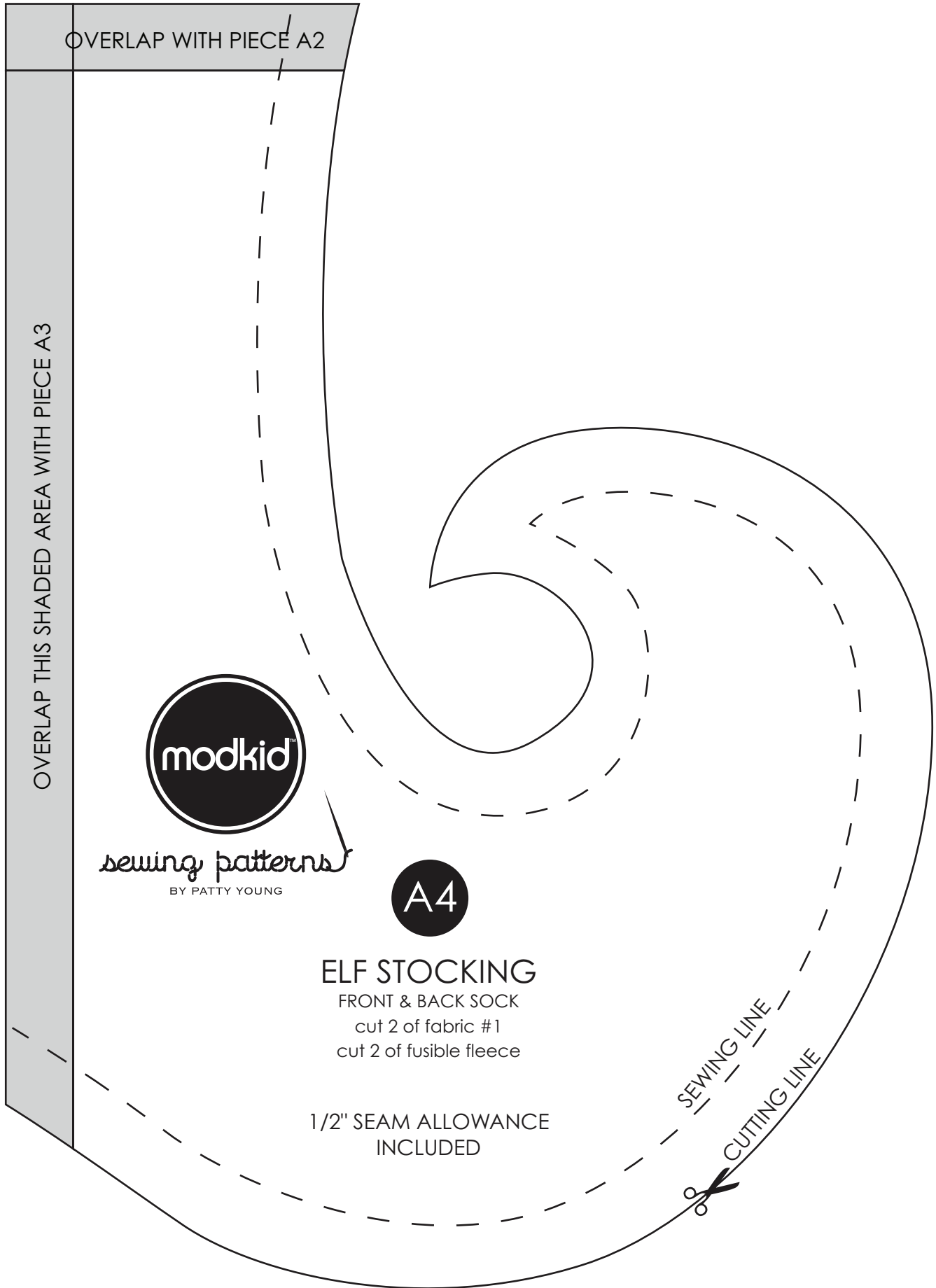
4. Insert Cuff inside the sock with the right side of the Cuff facing the wrong side of the sock and the Hanging Loop sandwiched in between, **fig. 12**. Aligning side seams and raw edges at the top, pin and stitch with a 1/2" seam allowance all around the opening, **fig. 13**. Trim seam allowance down to 1/4". Turn Cuff over to the right side of the sock and slightly press around the opening, **fig. 14**. If desired, hand sew decorative ornamentation to each point of the cuff and the toe. We used miniature jingle bells for our stockings.











OVERLAP WITH PIECE A2

OVERLAP THIS SHADED AREA WITH PIECE A3



sewing patterns
BY PATTY YOUNG

A4

ELF STOCKING

FRONT & BACK SOCK
cut 2 of fabric #1
cut 2 of fusible fleece

1/2" SEAM ALLOWANCE
INCLUDED

SEWING LINE
CUTTING LINE

