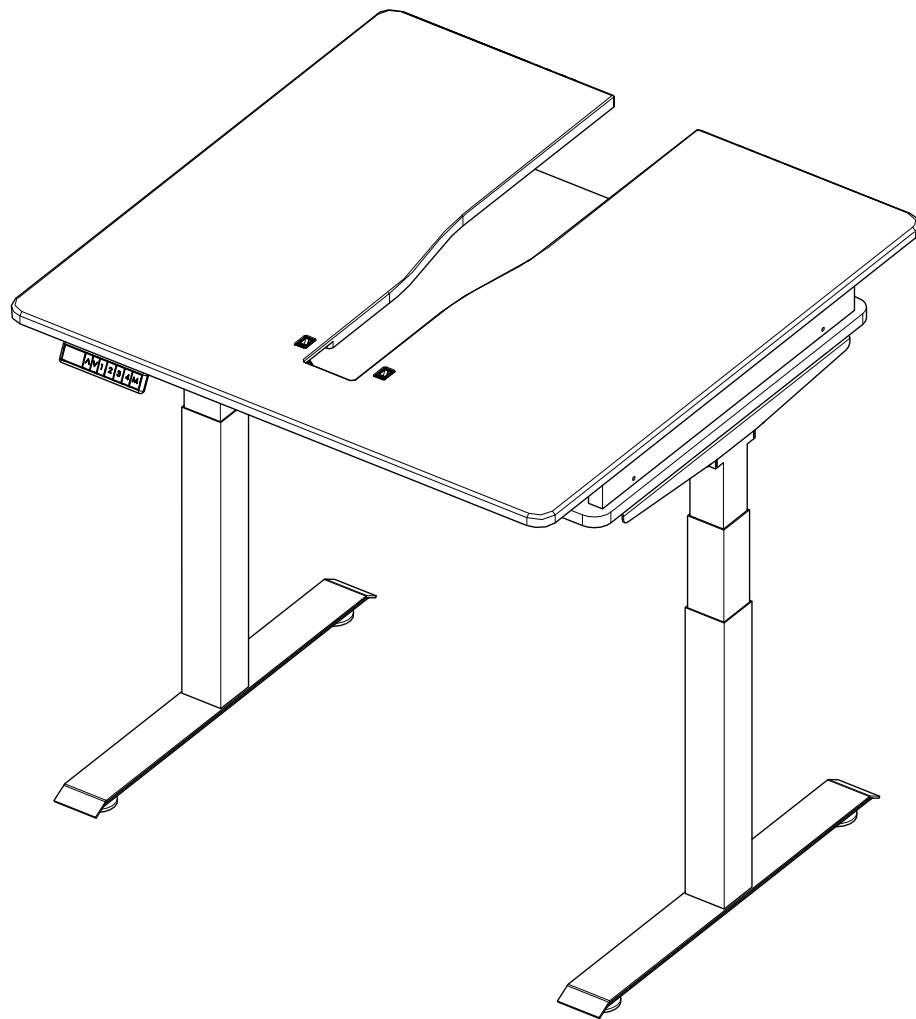


# Stationary Longarm Table with Lift System Assembly Instructions 20"

Part Number: IN09018  
February 2024



# Parts List

## Stationary Longarm Table with Lift System

Three boxes: Table Top Box (1) and Leg Boxes (2)

### Table Top Box (1 box)

PART #	DESCRIPTION	QTY
QT09018	Stationary Table - Table Tops 20"	1
QM10077	Stationary Table - Sensor Assembly, pre-installed in top. Includes QM10088, Cable-USB Type A plug to Micro and QM10075, Cable - Analog Foot Pedal Interface (sensor board)	1
QT09018-07	Screw-M5 X 90 SKB ZN, Socketed Button Head Screw - large top screws, pre-installed in top four corners. Remove and put through leg assembly.	4
QM10250	Washer-M5 pre-installed with QT09018-07 screws.	4
IN09018	Top Assembly Instructions (these instructions)	1
QM10287	Hex Key L 3mm	1

### Leg Box (2 boxes)

PART #	DESCRIPTION	QTY
QT09019	Stationary Table - Legs: box of legs and parts	1
IN09019	Leg Assembly Instructions - see page 1 for all parts listed	1
ST4x16	Screw - M4 X 16 (8 are used, 3 extra)	11
ST4x20	Screw - M4 X 20 (used on handset)	2

### Tools Needed:

- #2 Phillips Screwdriver (not provided)
- 3mm L hex key (provided with table top box)
- 4mm L hex key (provided in leg box with parts)



QM10088, Cable-USB Type A plug to Micro



QM10075, Cable-Analog Foot Pedal Int.

## Section 1: Leg Assembly to Table Top Assembly

Assemble the leg assembly using the instructions found inside the Leg Box.

**Step 1:** Locate the leg box.

**Step 2:** Assemble the leg assembly using the instructions found inside the leg box on pages 2 through 5.

**Step 3:** Remove the M5 X 90 socketed button head screw and washer from each corner of the table top assembly with the 3mm L hex tool.

**Step 4:** Place the leg assembly onto the table top, align the four corner holes of the table top with the leg assembly, and start each of the four M5 X 90 socketed button head screws through the leg assembly into the table top.

**Step 5:** Start the two M4 X 16 screws into the two center holes on each side of the leg assembly.

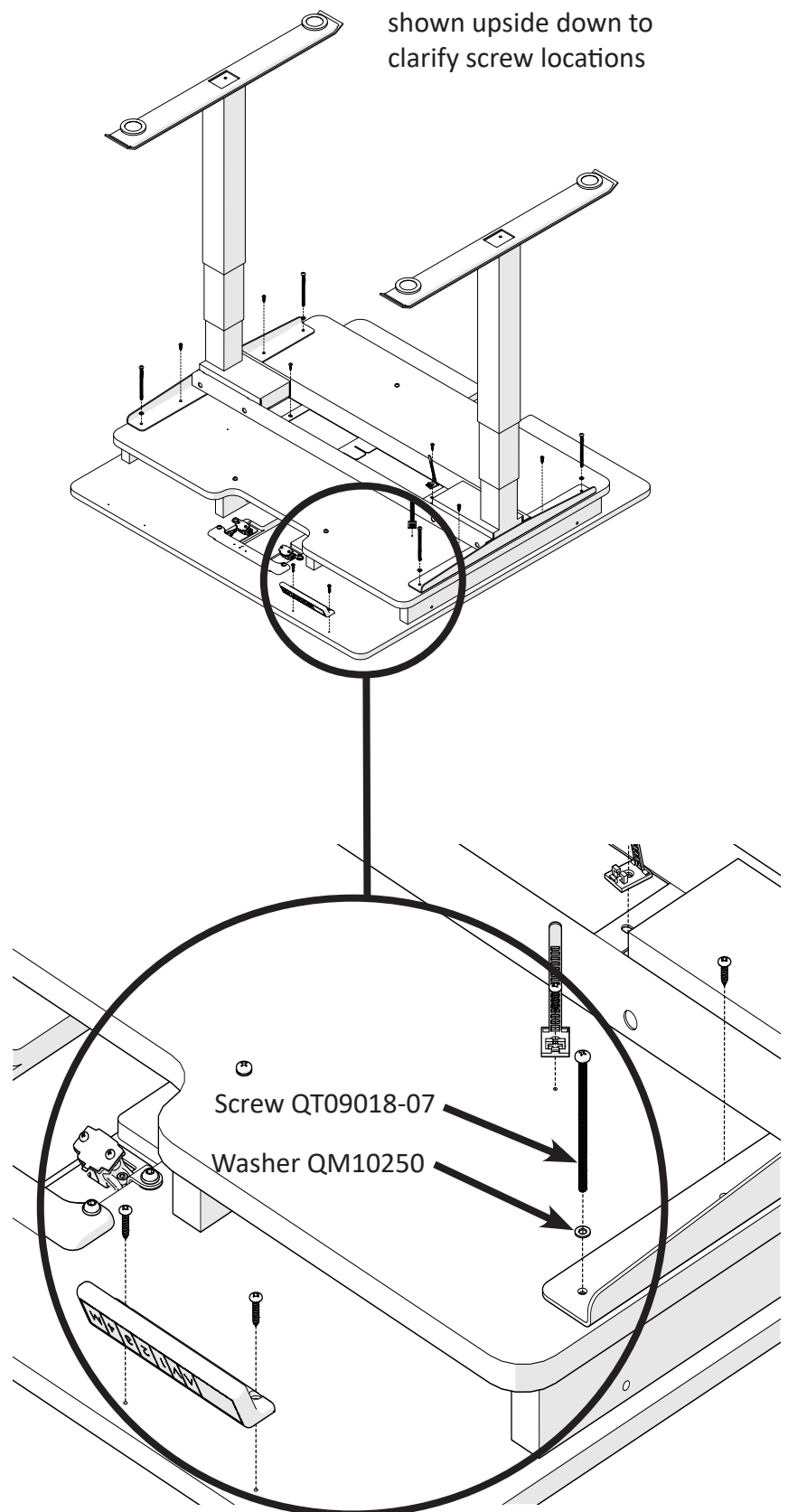
**Step 6:** Start the two M4 X 16 screws into the center support going between the two side legs.

**Step 7:** Tighten the six M4 X 16 screws and the four corner M5 X 90 screws with a #2 Phillips screw driver and a 3mm L hex key.

**Step 8:** Start two M4 X 20 screws through the control handset and then tighten the screws with a #2 Phillips screwdriver.

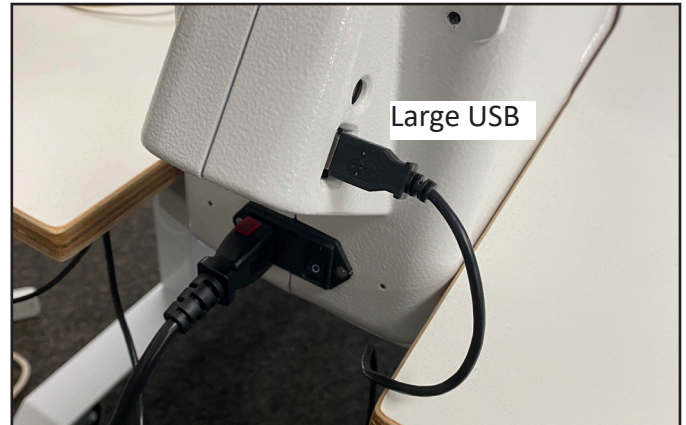
**Step 9:** Start a M4 X 16 screw through each of the two cable tie bases to hold the control cable up out of the way. Tighten the screw with a #2 Phillips screwdriver.

**Step 10:** With the help of a second person turn the table upright.



## Section 2: Cable Connections

**Step 1:** Locate the QM10088, USB cable and plug the large end into the USB connector located at the left rear side of the quilting machine. Run the other end of the cable with the small USB connection along the lower table top next to the machine and into the connector located at the right rear side of the sensor assembly (as seen from the front).



**Step 2:** Locate the QM10075 foot pedal cable and plug the white connector into the left connector on the sensor assembly (as seen from the front). This cable can also be run nicely next to the QM10088 cable on the lower table top near the machine.



**Step 3:** Plug the foot pedal extension cable into the cable installed in Step 2.

**Step 4:** Plug the extension cable into the foot pedal and place the foot pedal on the floor within easy reach of the desired foot.

