

HCD3e-1501

Computerized Embroidery Machine



MODEL: HCD3e-1501-40

Engineered and Manufactured by
HappyJapan

Distributed by **TEXMAC**
877.335.5206 • www.happyjapan.com

HCD3e-1501

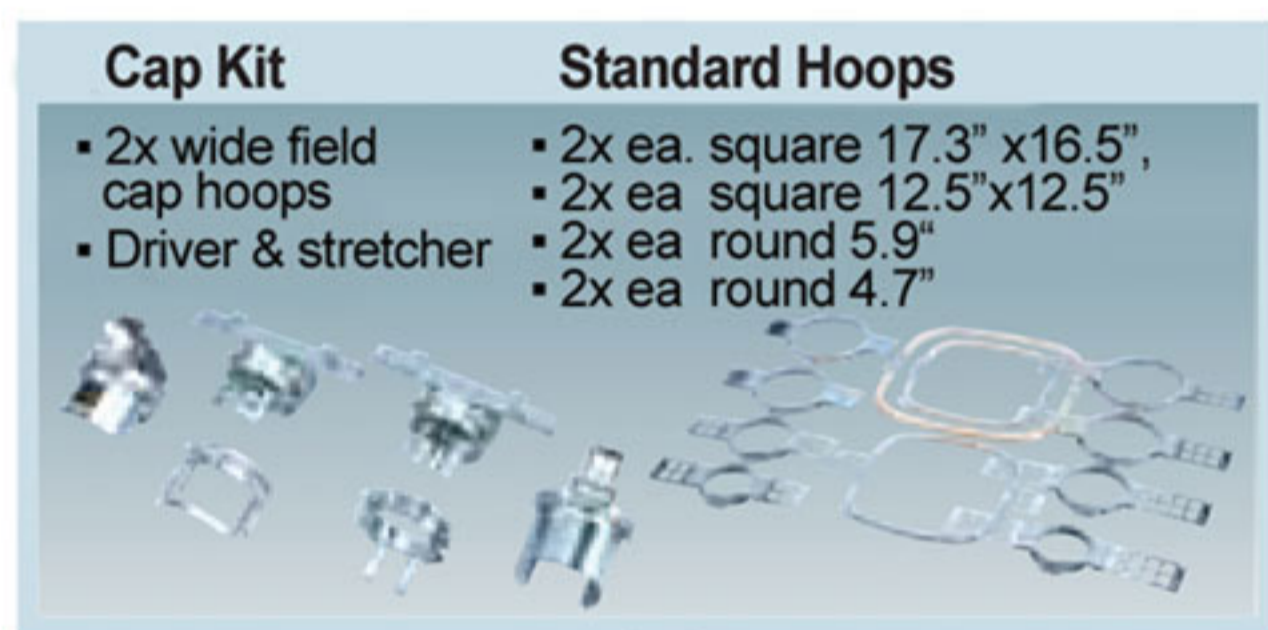
● ABOUT THIS MACHINE

The HCD3e-1501 is the best-selling full-sized commercial 1-head embroidery machine from HappyJapan. With a large 15.75" x 20.5" sew field and a powerful high-speed drive system, HCD3e operates at very high, continuous operating speeds for extended periods of time, year after year. With its slim profile arm design, HCD3e produces quality embroidery on a wide variety of items.

● STANDARD FEATURES AND FUNCTION HIGHLIGHTS

- Color LCD touchscreen panel
- Customizable front screen apps
- HAPPYLINK / LAN connection software
- USB/LAN ports for direct PC connection
- USB ports for mouse, flash drives
- Built-in help, auto-error correction
- Frameout/stop feature for applique, 3D foam, etc
- Combine designs & text directly onscreen
- Built-in lettering & stock designs
- Onboard editing: rotate, scale, mirror, satin pull compensation, stitch cleanup, lockstitching
- Import any compatible 3rd-party hoop onscreen for accurate positioning
- Onscreen help, auto-error correction
- Load, set up additional designs while machine is running

● INCLUDED HOOPS



● ADDITIONAL OPTIONS

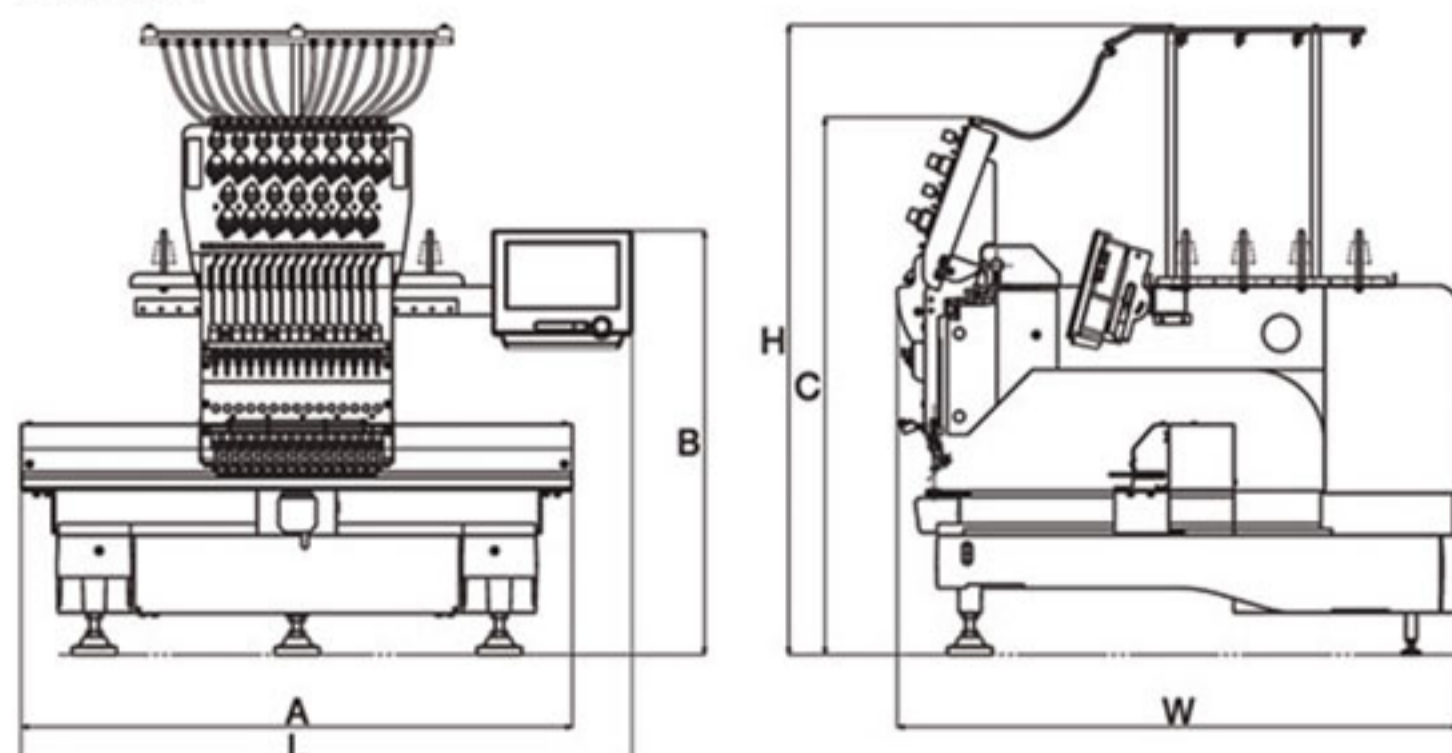


● SPECIFICATIONS

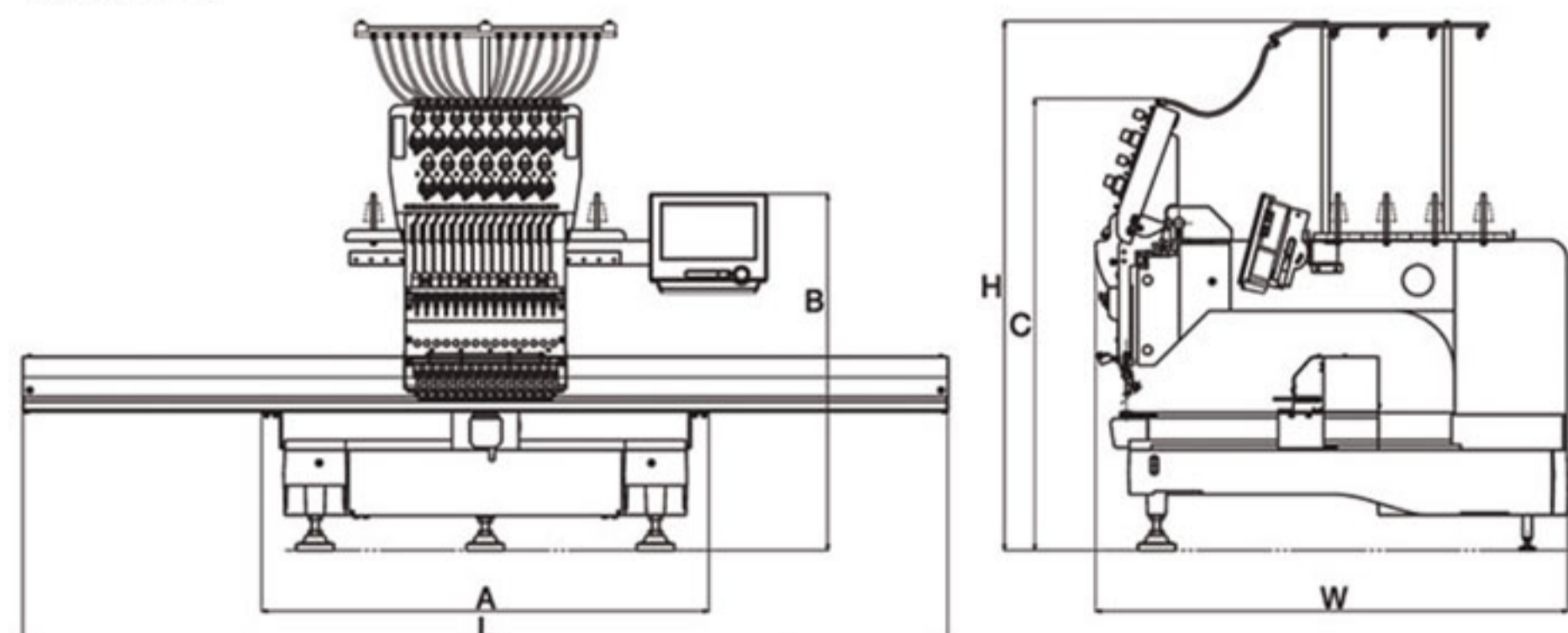
MODEL	Head	Needles	Embroidery Area (DxW)			Maximum Speed (r.p.m.)	Stitch Length	Memory
			Maximum	Wide Cap Frame	Low-profile Cap frame			
HCD-1501-40	1	15	400x520mm 15.7x20.5inch	80x360mm 3.2x14.2inch	70x180mm 2.8x7.1inch	1,200	0.1-12.7mm	100,000,000 stitches or 3,000 designs
HCD-X1501-40			400x1,200mm 15.7x47.2inch					

MODEL	Power Supply	Power Consumption	Frequency	Weight	Dimensions						
					L	W	H	A	B	C	
HCD-1501-40	Single Phase 100-115V 200-230V	240W	50/60Hz	106kg 233lbs	845	778	871	762	586	743	(mm)
					33.3	30.6	34.3	30.0	23.1	29.3	(inch)
HCD-X1501-40				109kg 240lbs	1,522	778	871	736	586	743	(mm)
					59.9	30.6	34.3	29.0	23.1	29.3	(inch)

● HCD



● HCD-X



NOTE

● Embroidery area may be limited by hoops to be used. ● Specifications are subject to change without notice. ● Maximum speed may change by sewing conditions.