

12-NEEDLE 1-HEAD VOYAGER



HCS3 1201-30

COMPUTERIZED COMPACT EMBROIDERY MACHINE



Engineered and Manufactured by
HappyJapan Incorporated
Distributed by **TEXMAC** 877.335.5206 • www.happyjapan.com

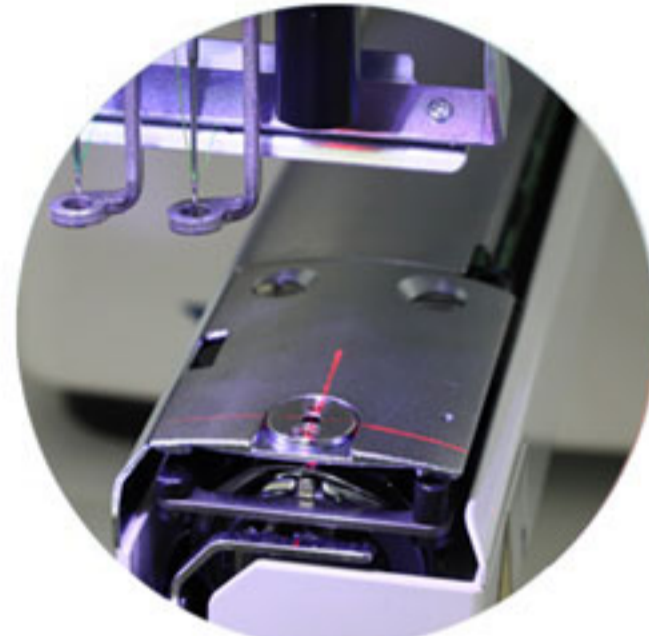
HCS3 1201-30

■ ABOUT THIS MACHINE

The 12-needle Voyager from HappyJapan delivers capabilities found on no other machine at this size: a true commercial-duty motor & drive system for higher sustained production, large continuous sew field, true wide-field cap sewing capability, and an unrestricted sewing arm to accommodate very large items. The newest-generation HCS3 introduces a vastly improved sewing head that's more robust and easier to thread, ultra-slim profile sewing arm, improved thread stand, and many other refinements. All this coupled with Voyager's renowned durability, reliability, and user-friendliness makes it a favorite for embroidery operations of all types and sizes.



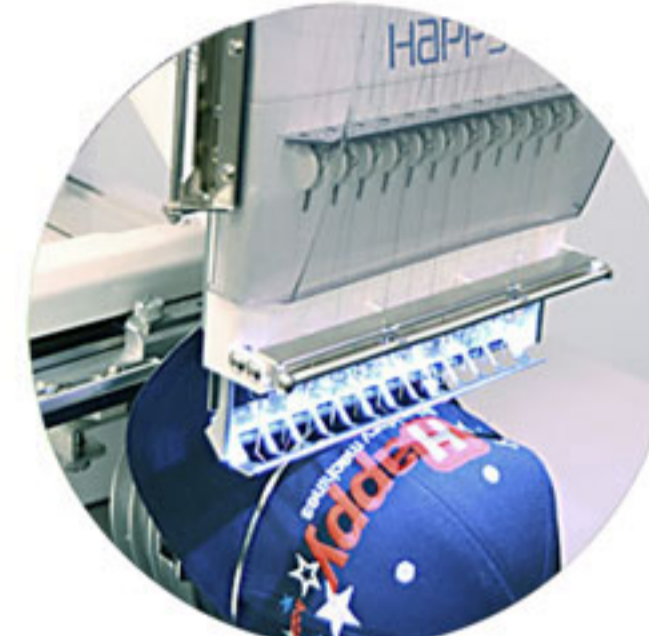
Heavy-duty motor & drive system



Laser position marker



Improved stand handles more thread brands



Wide-field cap sewing



Slim profile sewing arm handles tight sewing areas

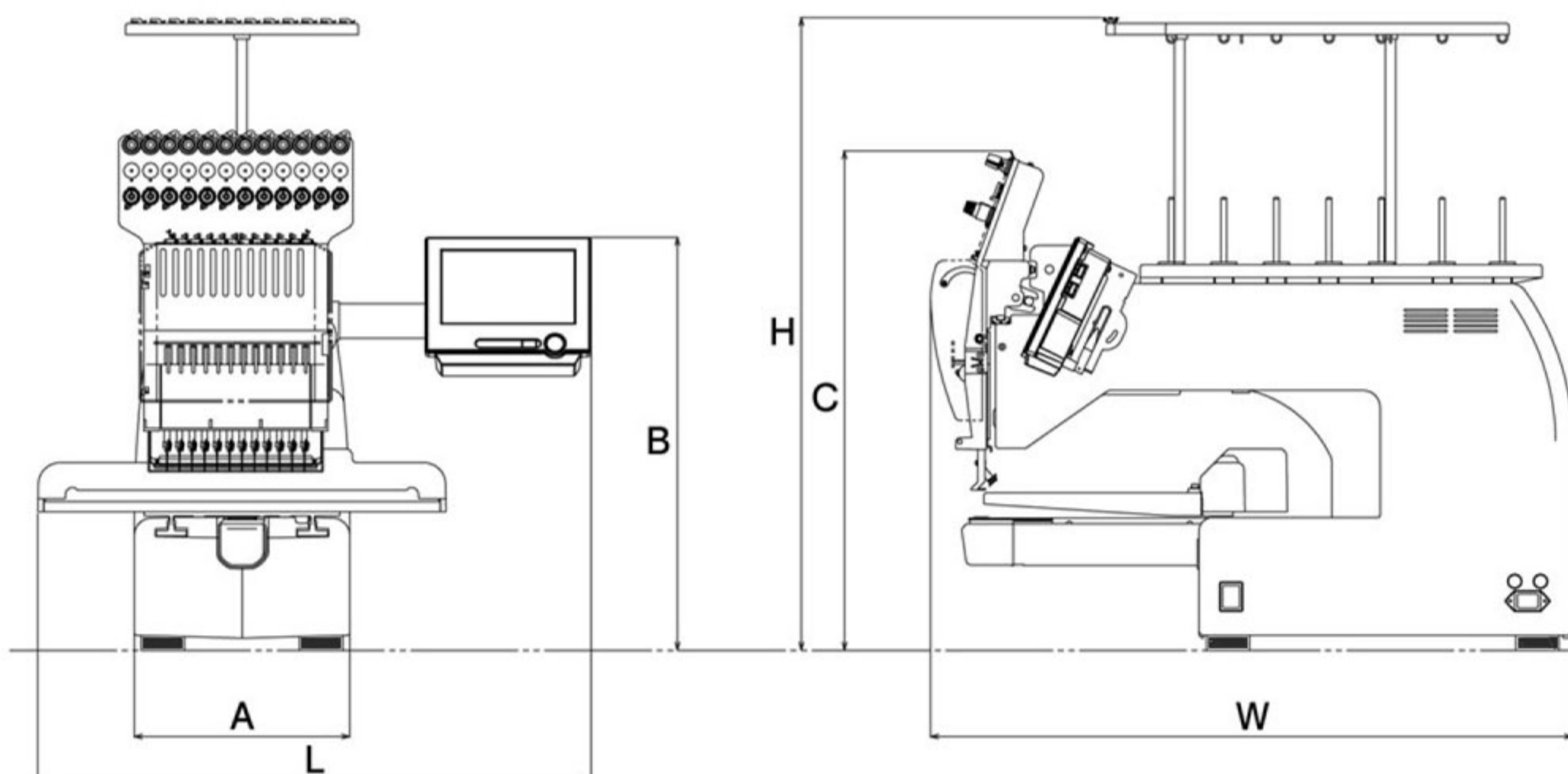
■ STANDARD FEATURES & FUNCTIONS

- Color LCD touch screen control panel
 - Load & setup designs while sewing - big time saver
 - Auto color change; up to 250 color changes/design
 - Auto error correction, auto thread break detection
 - USB memory stick slots (2); LAN & USB cable ports
 - Onboard lettering
 - Design merge onscreen
 - Built-in editing functions
 - Onscreen help function
 - Multi-lingual operation
 - Expandable hoop library
 - Auto maintenance aids
 - Customizable shortcuts
 - LINK/LAN software included
 - Bobbin run-out counter
- + Much more !

■ SPECIFICATIONS

MODEL	Head	Needles	Embroidery Area (DxW)			Maximum Speed (r.p.m.)	Stitch Length	Memory
			Maximum	Wide Cap Frame	Low-profile Cap frame			
HCS3-1201-30	1	12	285×290mm 11.2×11.4inch	67×290mm 2.6×11.4inch	67×180mm 2.6×7.1inch	1,000 850(cap)	0.1-12.7mm	100,000,000 stitches or 3,000 designs

MODEL	Power Supply	Power Consumption	Frequency	Weight	Dimensions						
					L	W	H	A	B	C	
HCS3-1201-30	Single Phase 100-115V	220W	50/60Hz	42kg 93lbs	642	745	734	250	480	580	(mm)
					25.3	29.3	28.9	9.8	18.9	22.8	(inch)



NOTE

- Embroidery area may be limited by hoops to be used.
- Specifications are subject to change without notice.
- Maximum speed may change by sewing conditions.

provided by **TEXMAC** www.happyjapan.com toll-free 877.335.5206

NOTE: Any and all information on this flyer may be subject to change without notice.