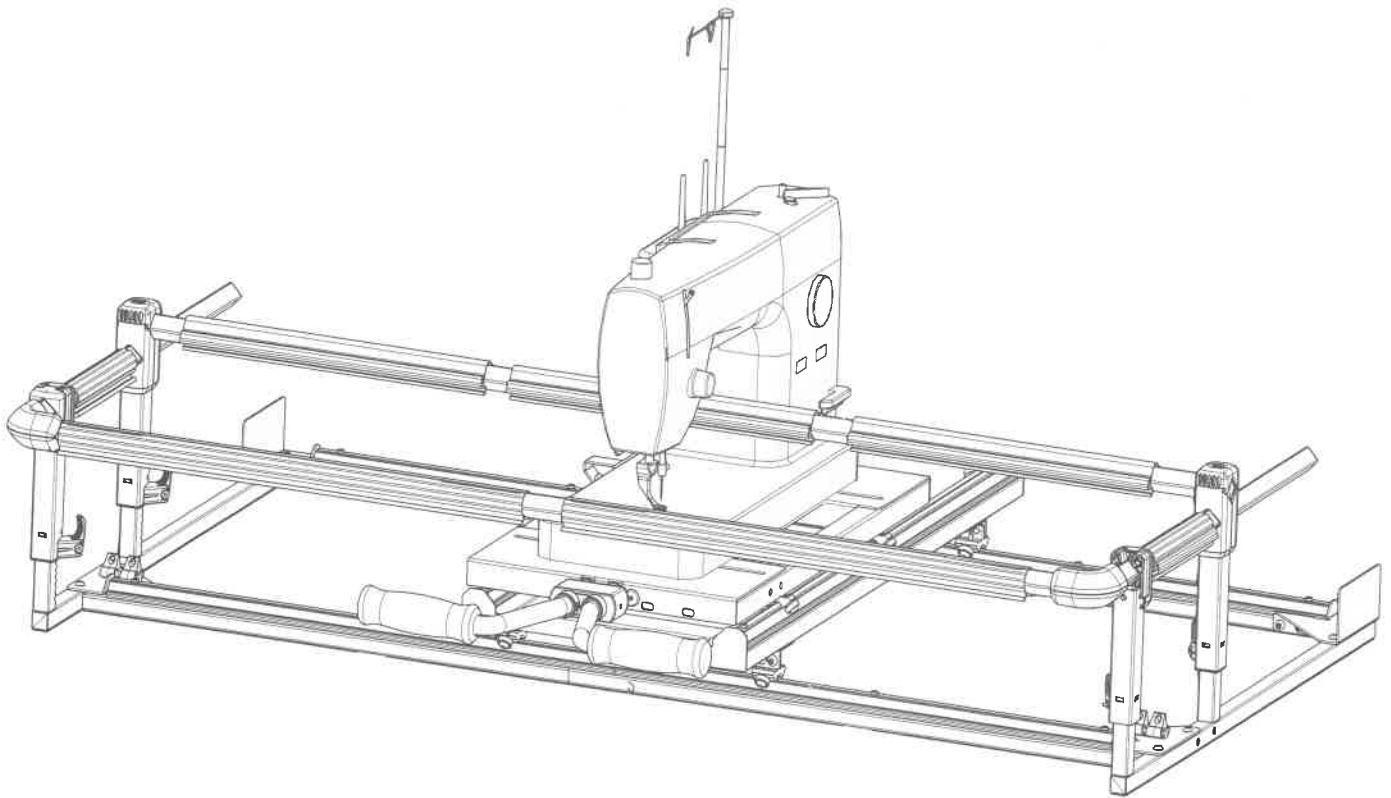


Tabletop Fabric Frame

for **JUKI** 
Quality, Vision, Professional

Assembly & Use



Tabletop Fabric Frame



Table of Contents

Contents

Table of Contents	3
Included Parts & Tools	4

Part One

Step 1 - Assembling the Tracks.....	8
Step 2 - Installing the Sides	10
Step 3 - Aligning the Tracks.....	12
Step 4 - Installing the Top Plate Clamps and Encoder Bracket.....	16

Part Two

Step 5 - Installing the Top Plate.....	19
Step 6 - Installing your Sewing Machine.....	20
Step 7 - Prepare Your Machine for Quilting	22

Part Three

Step 8 - Installing the Rails	24
Step 9 - Adjusting the Rails	31
Step 10 - Adjusting the Carriage Stop Bracket	33
Step 11 - Adjusting the Top Plate Handles	34
Step 12 - Extending Your Foot Pedal Cable	36

Part Four

Step 13 - Preparing your Quilt.....	40
Step 14 - Attaching your Quilt	42
Step 15 - Moving your Fabric.....	44
Step 16 - Getting Started	47

Tabletop Fabric Frame

Included Parts & Tools

Please make sure all pieces are included in your kit.

Long Cross Support (x2)



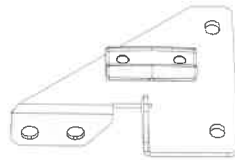
QTT-09-14845
(See page 8)

Short Cross Support (x2)



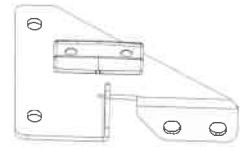
QTT-09-14844
(See page 8)

Corner Brace Front Right



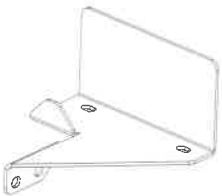
QT-09-14840
(See page 10)

Corner Brace Front Left



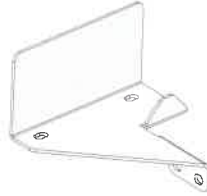
QTT-09-14842
(See page 10)

Back Right Brace



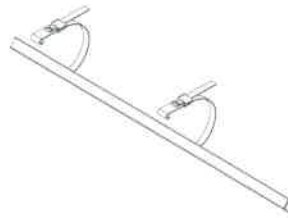
QTT-04-14821
(See page 10)

Back Left Brace



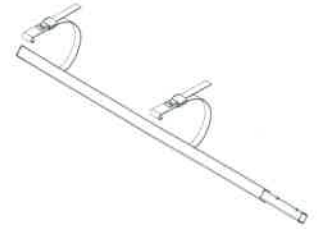
QTT-04-14822
(See page 10)

Long Take-up Rail



QTT-09-14839
(See page 24)

Short Take-up Rail



QTT-09-14838
(See page 24)

Long Front Rail



QTT-09-14836
(See page 24)

Short Front Rail



QTT-09-14837
(See page 24)

Table-Top Bottom Carriage



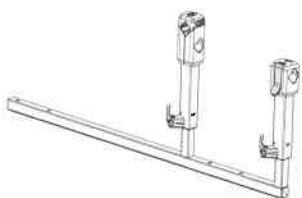
QTT-09-15881
(See page 12)

Table-Top Top Plate



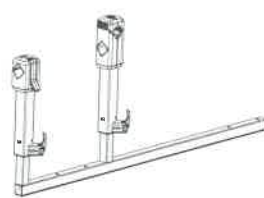
QTT-09-14846
(See page 16)

Side Assembly Right



QTT-09-14820
(See page 10)

Side Assembly Left



QTT-09-14830
(See page 10)

Rail Corner Top (x2)



QTT-04-14708
(See page 24)

Rail Corner Bottom (x2)



QTT-04-14709
(See page 24)

Included Parts & Tools (Continued)

Hoop Side Rail (X2)



QTT-09-15032
(See page 8)

Fabric Clamp (x3)



QTT-05-14723
(See page 42)

Side Fabric Clamp (x2)



QTT-05-14724
(See page 42)

Front Fabric Clamp with Clip (x2)



QTT-05-14730
(See page 42)

Plastic Track Support (x4)



QTT-05-14725
(See page 8)

Plastic Flat Track (x4)



QTT-05-14728
(See page 8)

Sewing Machine Clamps (x4)



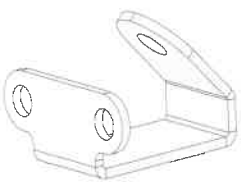
ACC-01-10324
(See page 16)

Bungee Slide (x4)



QTT-04-14720
(See page 10)

Encoder Bracket (x2)



QTT-04-14695
(See page 12 ,page 16)

ULPSHS M4 x 20 mm (x12)



HDW-03-14739

SBHCS M5 x 8 mm (x22)



HDW-03-14253

SBHCS M4 X 25 mm (x6)



HDW-03-12240

Allen Wrench 3 mm



HDW-03-10166

Allen Wrench 2.5 mm



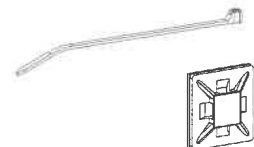
HDW-03-10165

Allen Wrench 2 mm



HDW-03-11030

Zip Tie/Zip Tie Mount (x4)



MIS-08-10805
(See page 36)

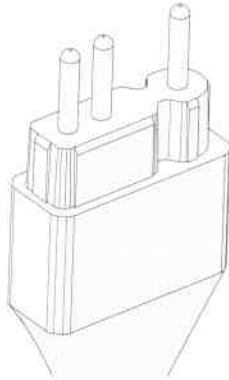
Foot Pedal Extension Cables

**Custom Barrel
Extension Cable**



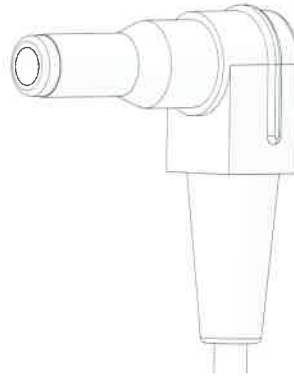
QTT-02-15049
(See page 36)

**HD9 Foot Pedal
Extension Cable**



QTT-02-15051
(See page 36)

**Angled Barrel Jack
Extension Cable**



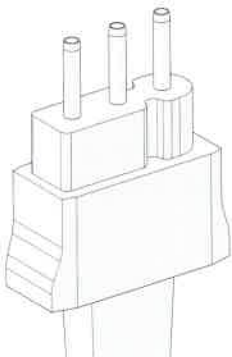
QTT-02-15050
(See page 36)

**TRS
Extension Cable**



QTT-02-15048
(See page 36)

**3 Prong
Extension Cable**



QTT-02-15052
(See page 36)

Part One

Step 1 - Assembling the Tracks.....	8
Step 2 - Installing the Sides	10
Step 3 - Aligning the Tracks.....	12
Step 4 - Installing the Top Plate Clamps and Encoder Bracket.....	16

Tabletop Fabric Frame

Step 1 - Assembling the Tracks

Parts & Tools Needed:

Long Cross Support (x2)



Short Cross Support (x2)



Plastic Track Support (x4)



Plastic Track (x4)



ULPSHS M4 x 20 mm (x12)



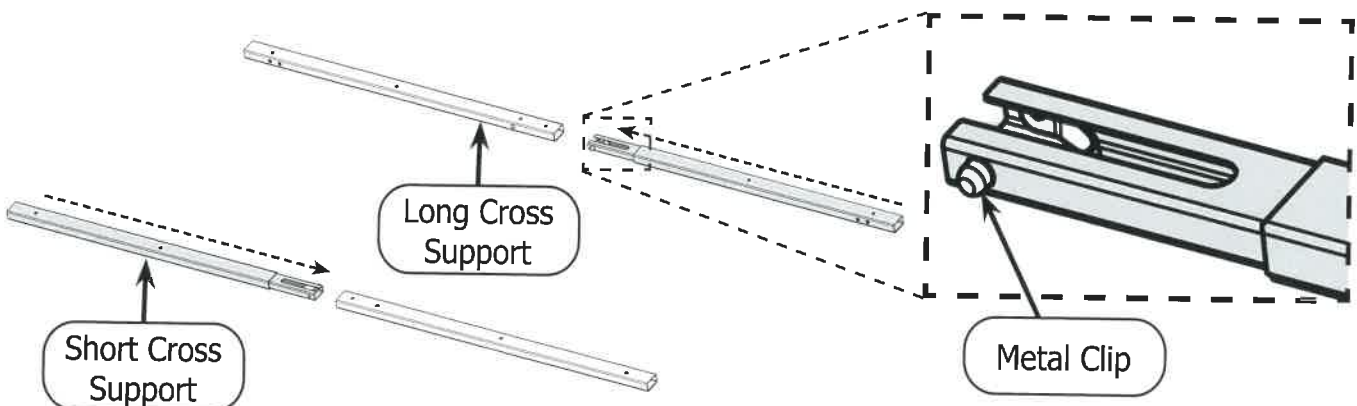
Allen Wrench 2.5 mm



Instructions

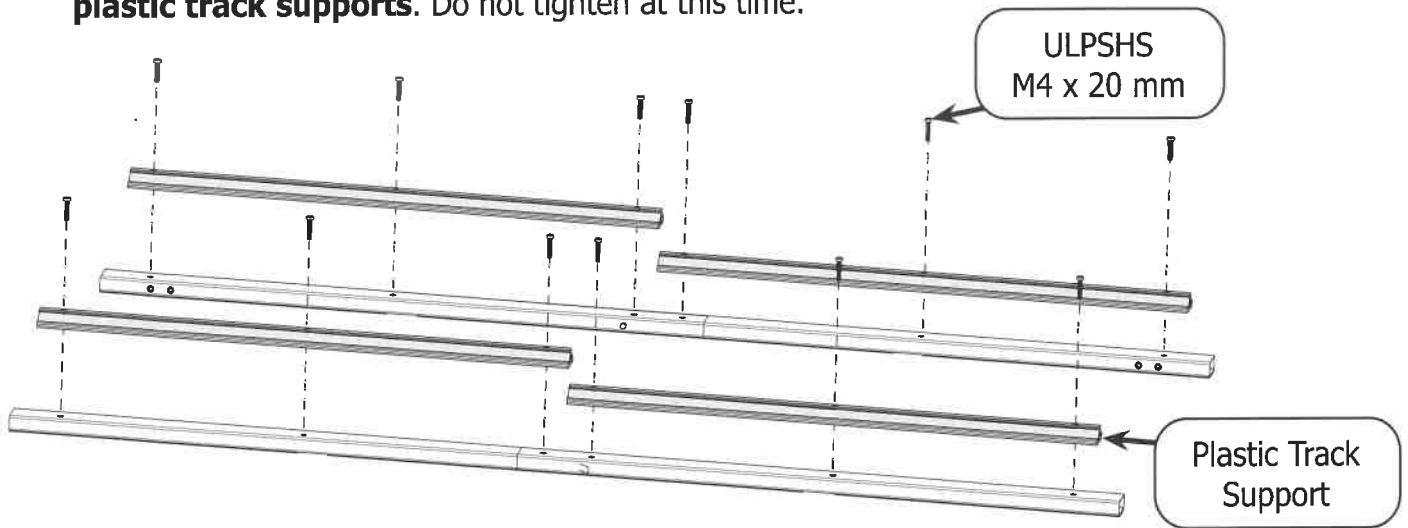
The frame tracks allow the bottom carriage to move horizontally across the frame. Please take the following steps to assemble the frame tracks:

- 1 **On both short cross supports:** Press in the **metal clips** and slide into the **long cross supports** until they click into place.

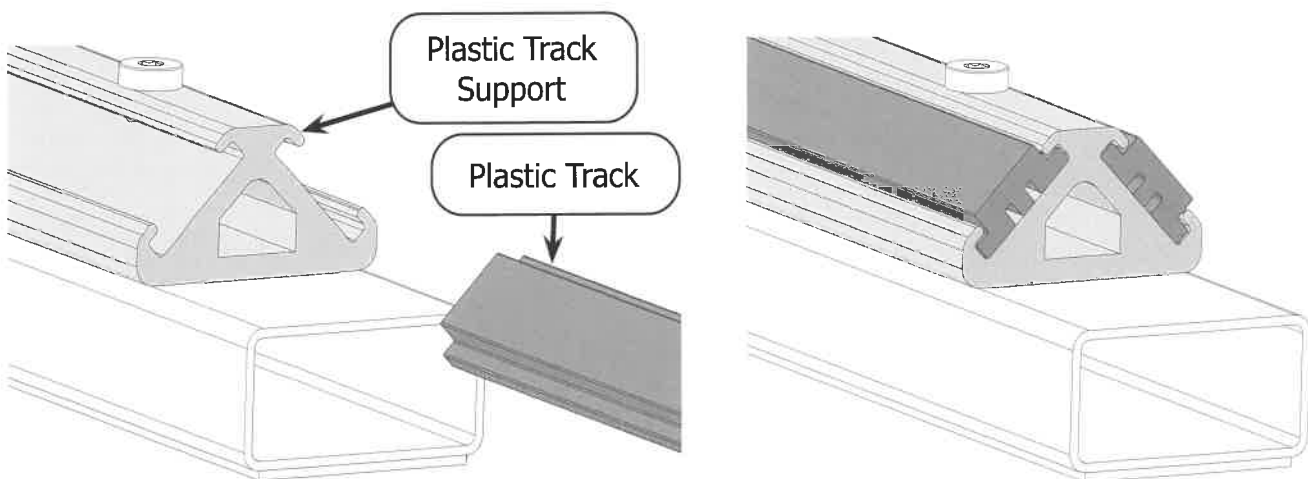


Assembling/Adjusting the Rails (Continued)

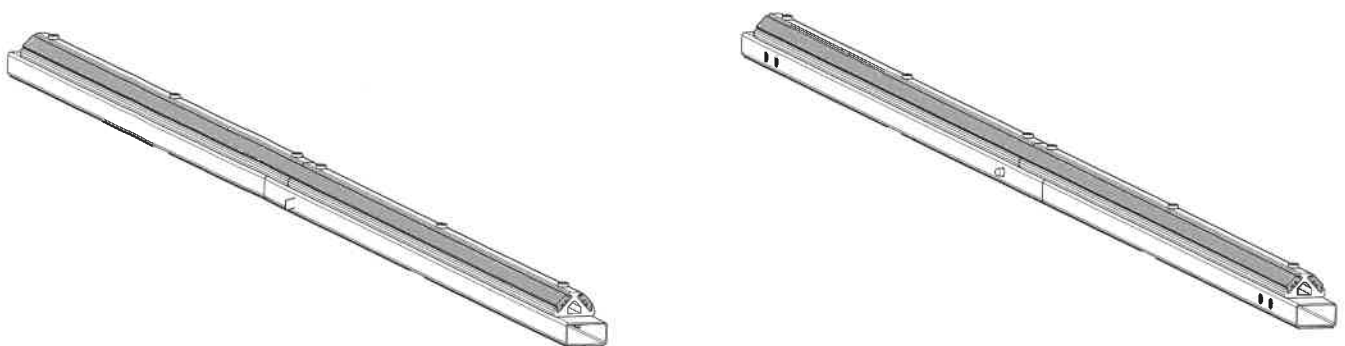
- 2 On both cross supports: Use six **M4 x 20 mm ULPSHS screws** to attach two of the **plastic track supports**. Do not tighten at this time.



- 3 Insert a **plastic track** into each side of both **plastic track supports**. Then tighten the twelve M4 x 20 mm ULPSHS screws from the previous step.



Step 1 Completed:



Tabletop Fabric Frame

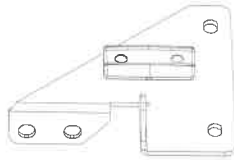
Step 2 - Installing the Sides

Parts & Tools Needed:

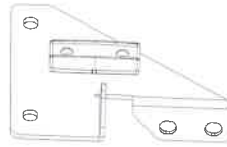
Bungee Slide (x4)



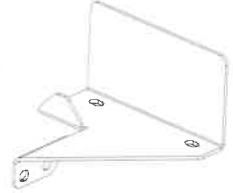
Front Right
Corner Brace



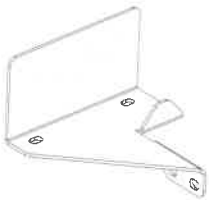
Front Left
Corner Brace



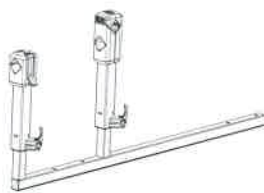
Right Rear
Corner Brace



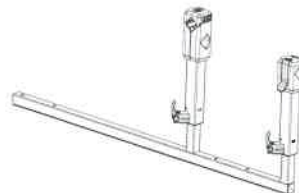
Left Rear
Corner Brace



Left Side Assembly



Right Side Assembly



SBHCS
M5 x 8 mm (x16)



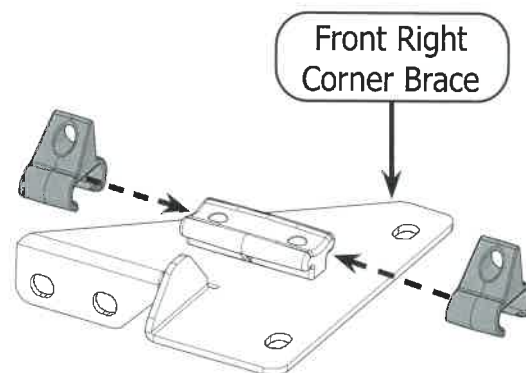
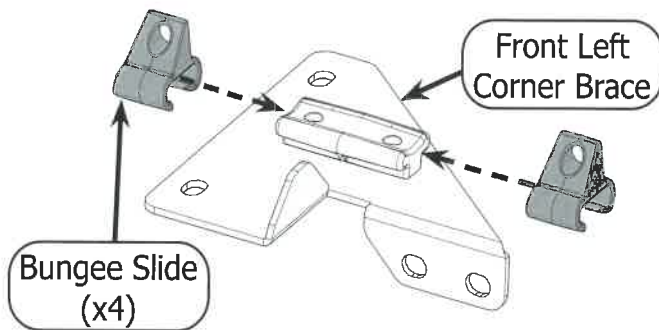
Allen Wrench
3 mm



Instructions

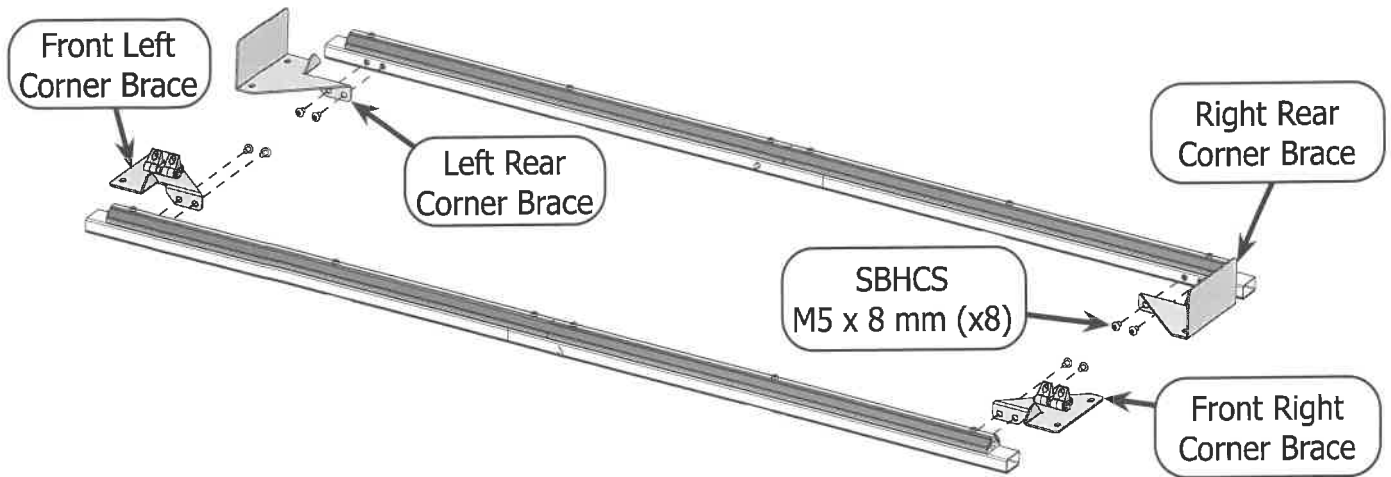
The frame sides support the rails and hold up your fabric. To install the frame sides, take the following steps:

- 1 Slip the four **bungee slides** onto the mounts on the **front left** and **right corner braces**. This is a convenient place to store the bungee slides when the bungee accessory isn't in use.

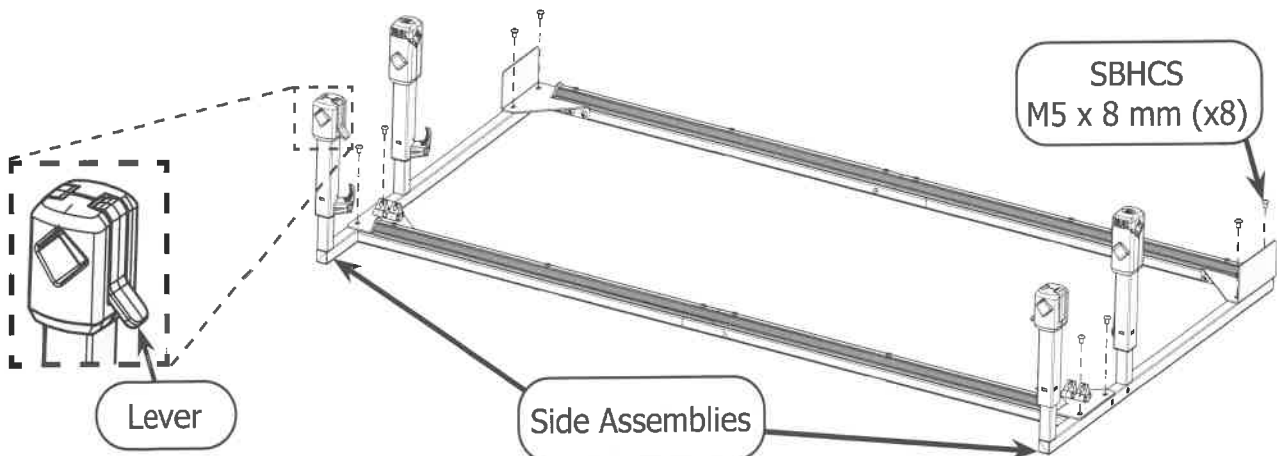


Installing the Sides (Continued)

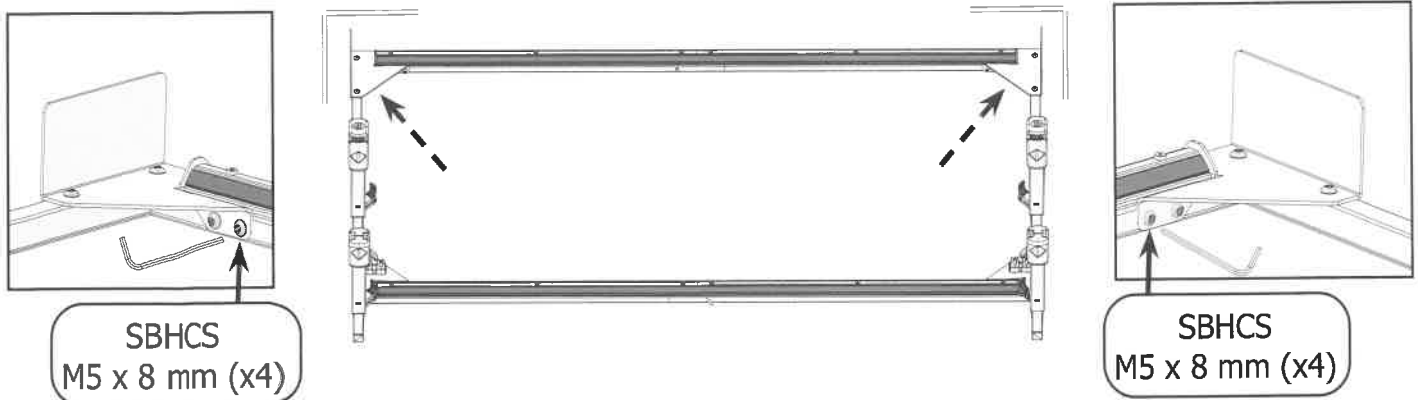
- 2 Use two **M5 x 8 mm SBHCS** and the 3 mm Allen wrench to loosely attach each of the **corner braces**. Do not tighten.



- 3 Install the **side assemblies** so the **levers** at the front are toward the inside of the frame. Attach each side loosely with four **M5 x 8 mm SBHCS** and the 3 mm Allen wrench. Do not tighten.



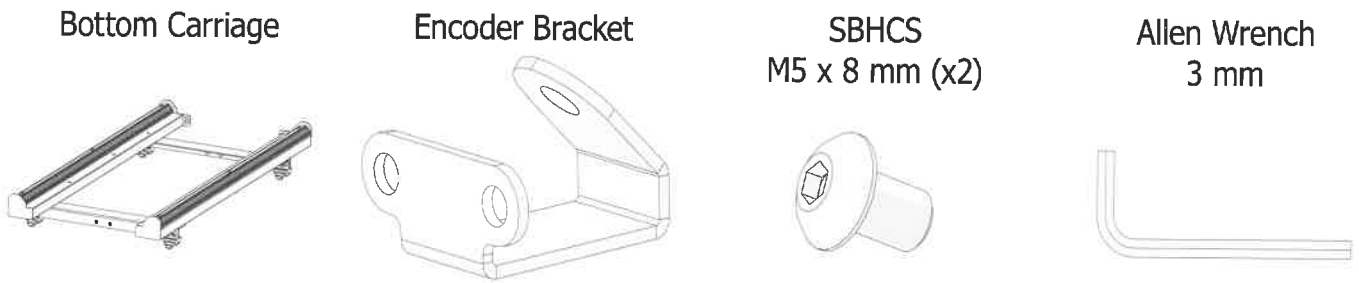
- 4 Push in the rear corner braces so they are flush with the frame tracks and sides. Keep everything square and tighten down the four **M5 x 8 mm SBHCS screws** on both rear corner braces.



Tabletop Fabric Frame

Step 3 - Aligning the Tracks

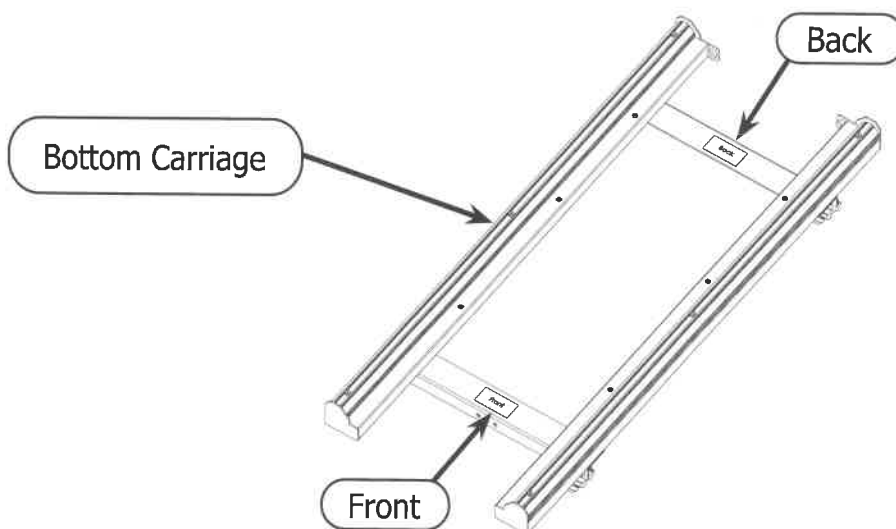
Parts & Tools Needed:



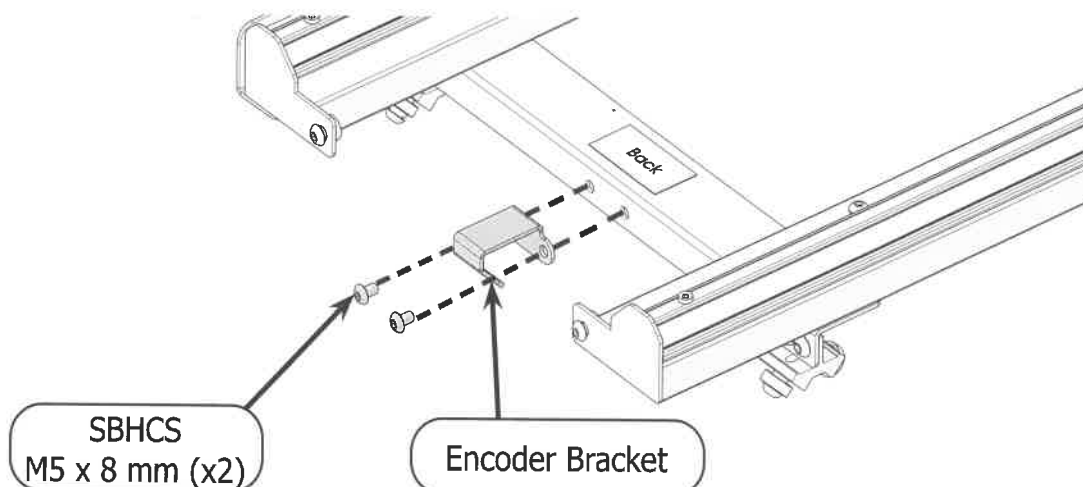
Instructions

The bottom carriage shuttles the machine from side to side across the frame. To prepare and install the bottom carriage, please follow these steps:

- 1 Note that the **bottom carriage** has stickers to label the front and back of the carriage

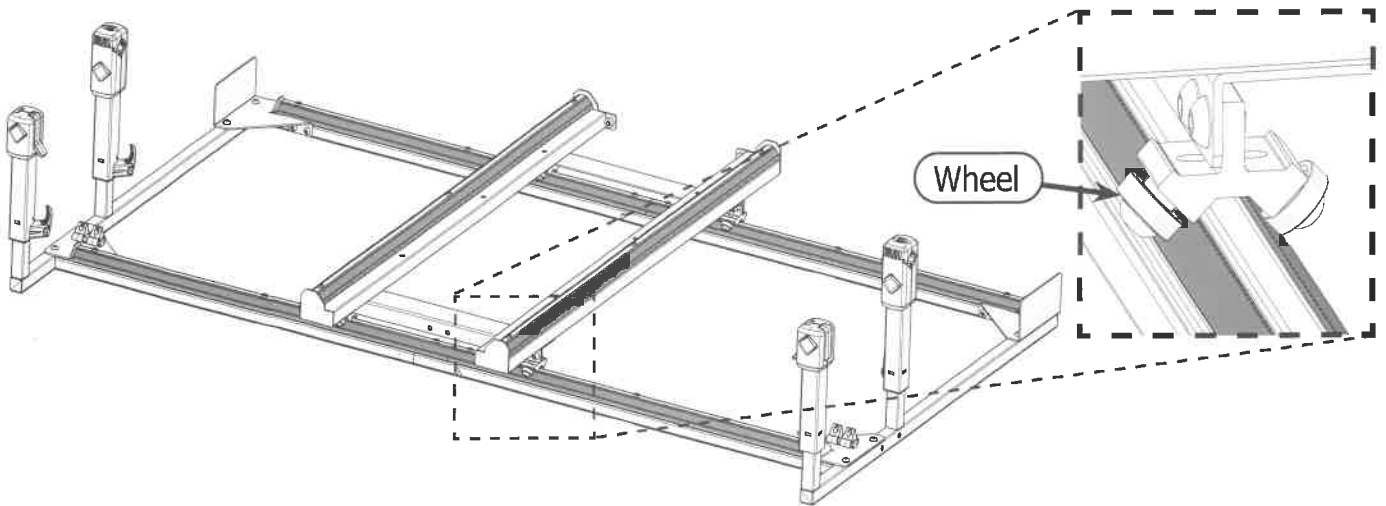


- 2 On the rear of the bottom carriage, install the **encoder bracket** with two **M5 x 8 mm SBHCS screws** and the 3 mm Allen wrench.

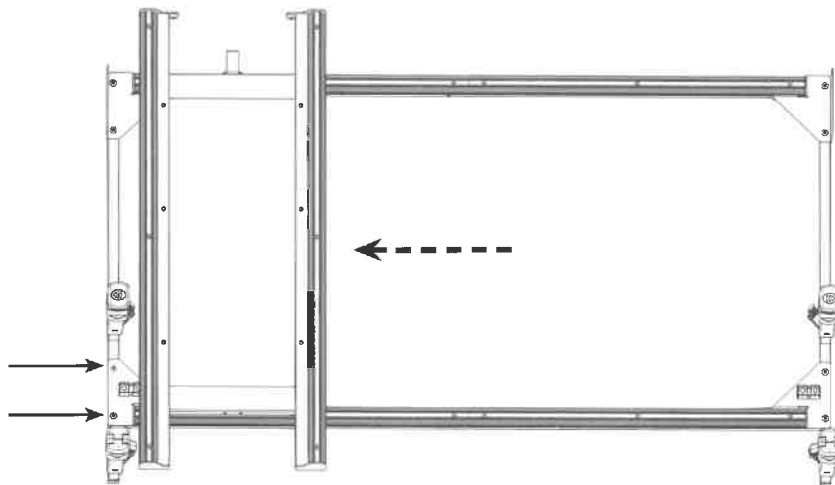


Aligning the Tracks (Continued)

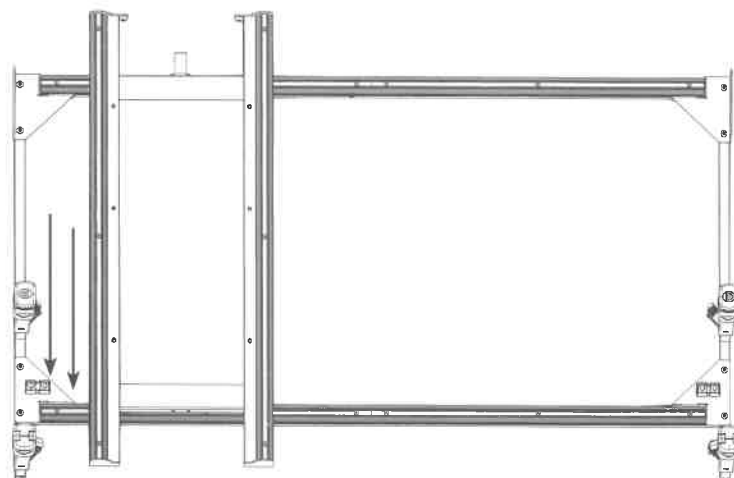
- 3 Place the bottom carriage onto the frame so the **wheels** ride the plastic track.



- 4 Press down on the bottom carriage and push to one side of the frame. Tighten down the screws on the top of the front corner brace with the 3 mm Allen wrench.



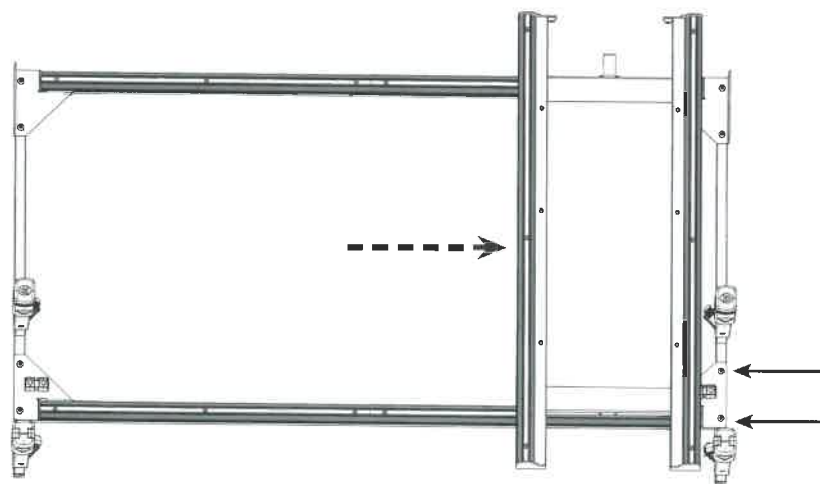
- 5 Tighten the two screws attaching the front corner brace to the track.



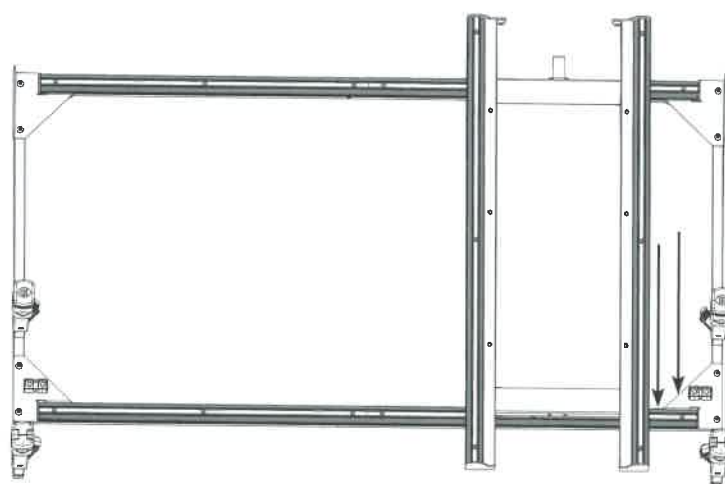
Tabletop Fabric Frame

Aligning the Tracks (Continued)

- 6 Carefully press down on the carriage and slide it across the frame. Tighten the two screws on the top of the corner brace.

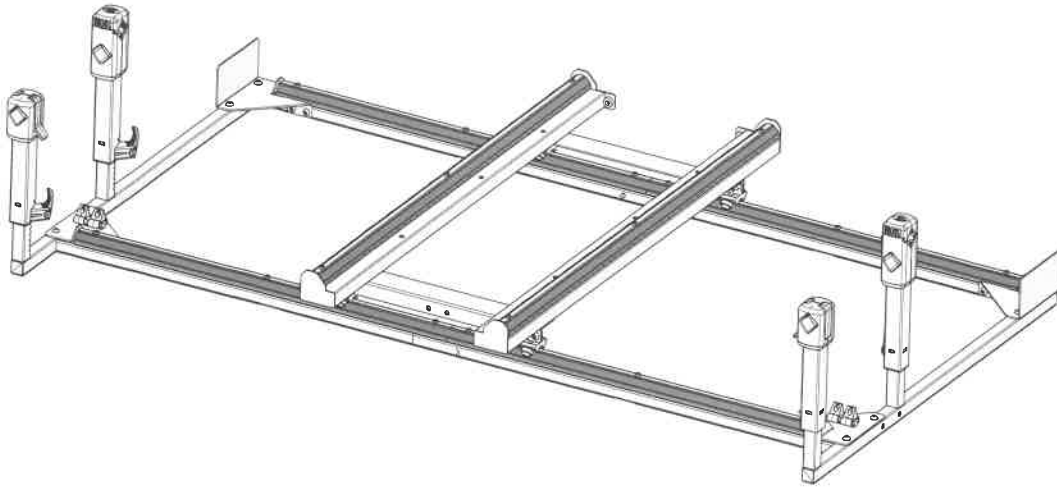


- 7 Tighten the two screws attaching the corner base to the track.



Aligning the Tracks (Continued)

Step 4 Completed:



Tabletop Fabric Frame

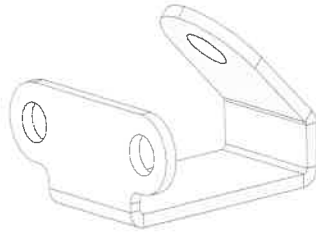
Step 4 - Installing the Top Plate Clamps and Encoder Bracket

Parts & Tools Needed:

Top Plate



Encoder Bracket



Sewing Machine
Clamps (x4)



SBHCS
M5 x 8 mm (x2)



Allen Wrench
3 mm

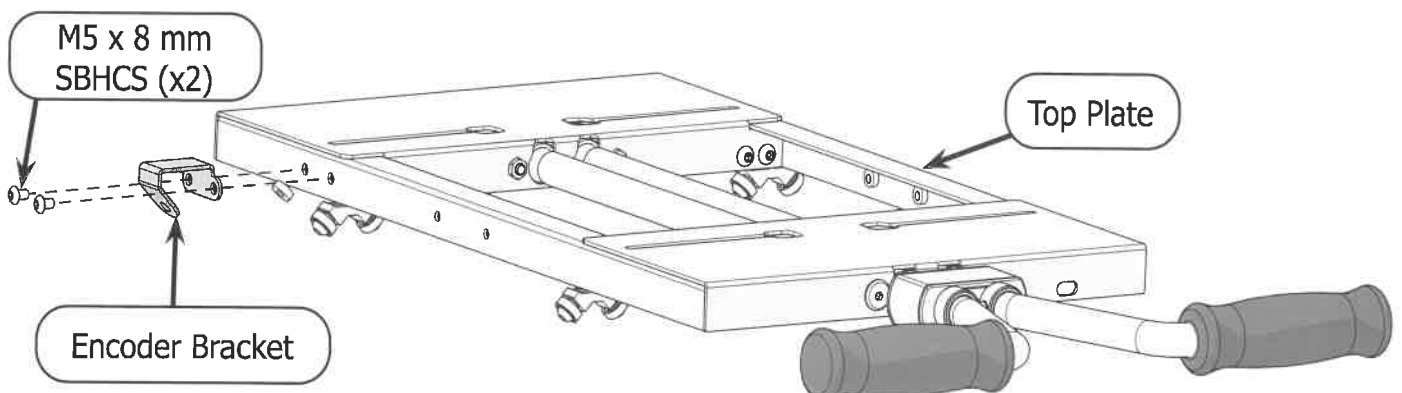


Note: If you are using a mid or long-arm quilting machine that does not require the top plate, skip this step and continue to Part One of your machine manual.

Instructions

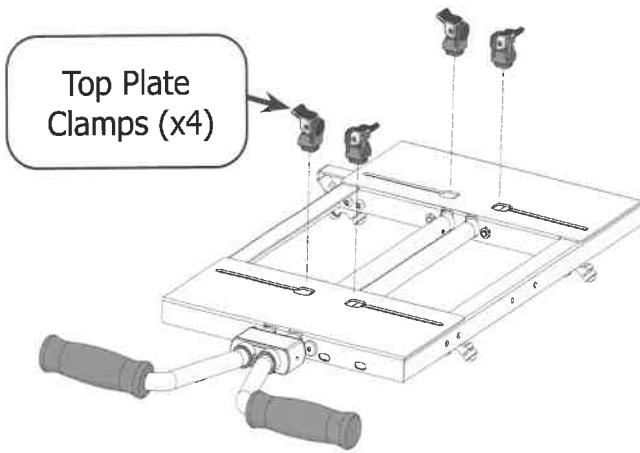
The top plate shuttles the machine from front to back on the bottom carriage. To prepare the top plate, please follow these steps:

- 1 Install the second **encoder bracket** onto the left side of the **top plate** with two **M5 x 8 mm SBHCS screws** and the 3 mm Allen wrench.

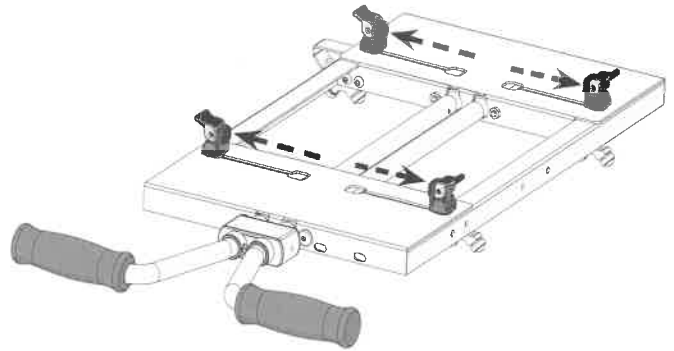


Adjusting the RailsTop Plate Clamps and Encoder Bracket (Continued)

- 2 Open the **top plate clamps** and place them into the slots in the top plate.



- 3 Slide the top plate clamps toward the top plate edge. Close them to latch them in place.



Part Two

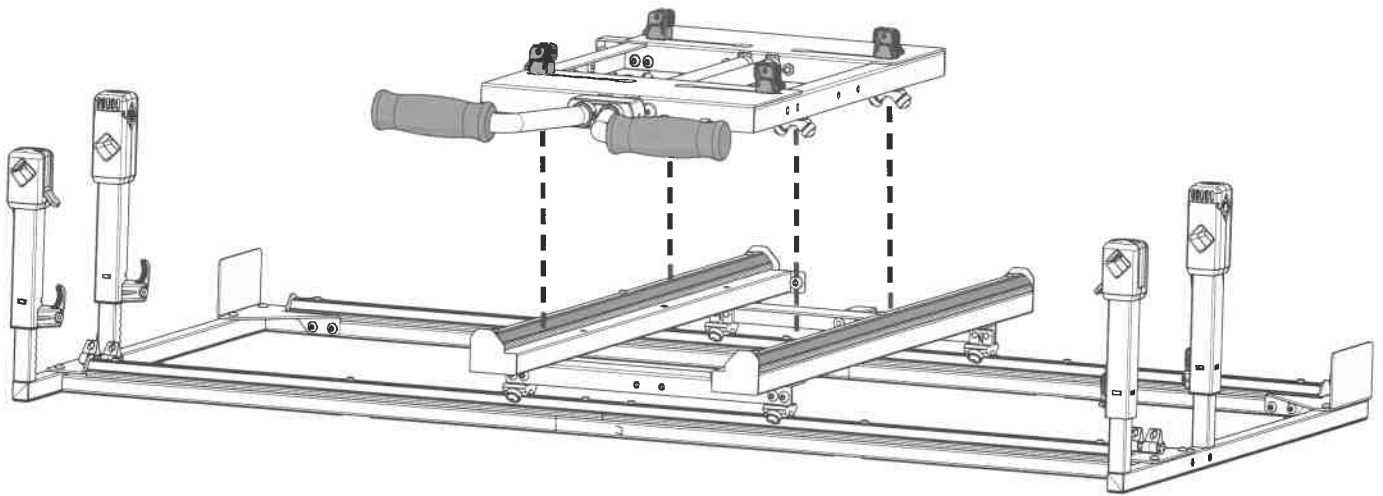
Step 5 - Installing the Top Plate.....	19
Step 6 - Installing your Sewing Machine.....	20
Step 7 - Prepare Your Machine for Quilting	22

Step 5 - Installing the Top Plate

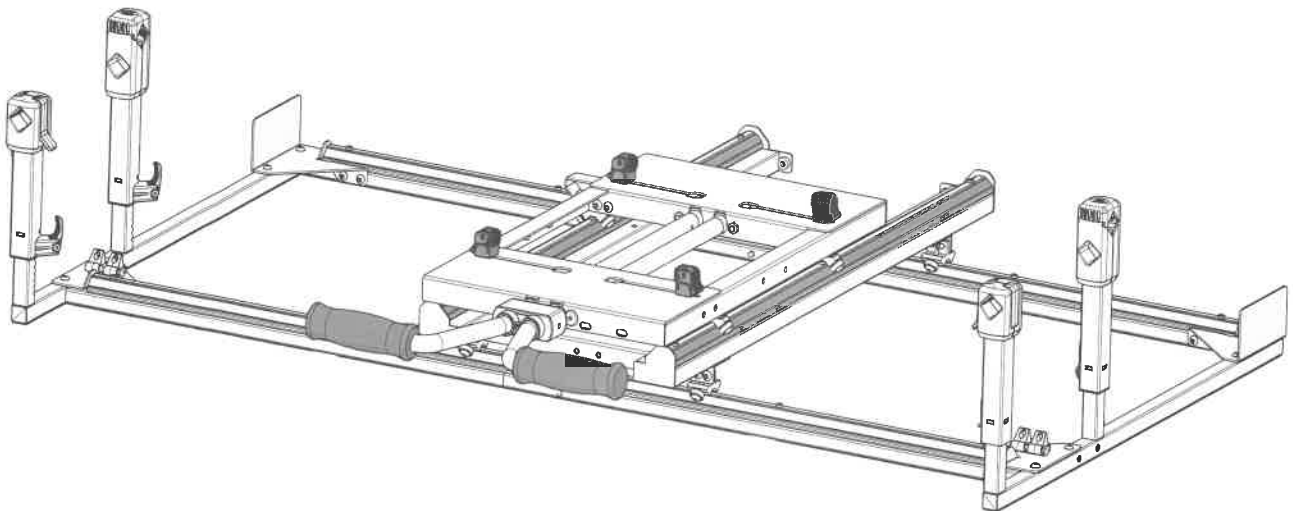
Instructions

The top plate shuttles the machine from front to back on the bottom carriage. To install the top plate, please follow these steps:

- 1 Place the top plate so the wheels ride the bottom carriage track.



Step 6 Completed:



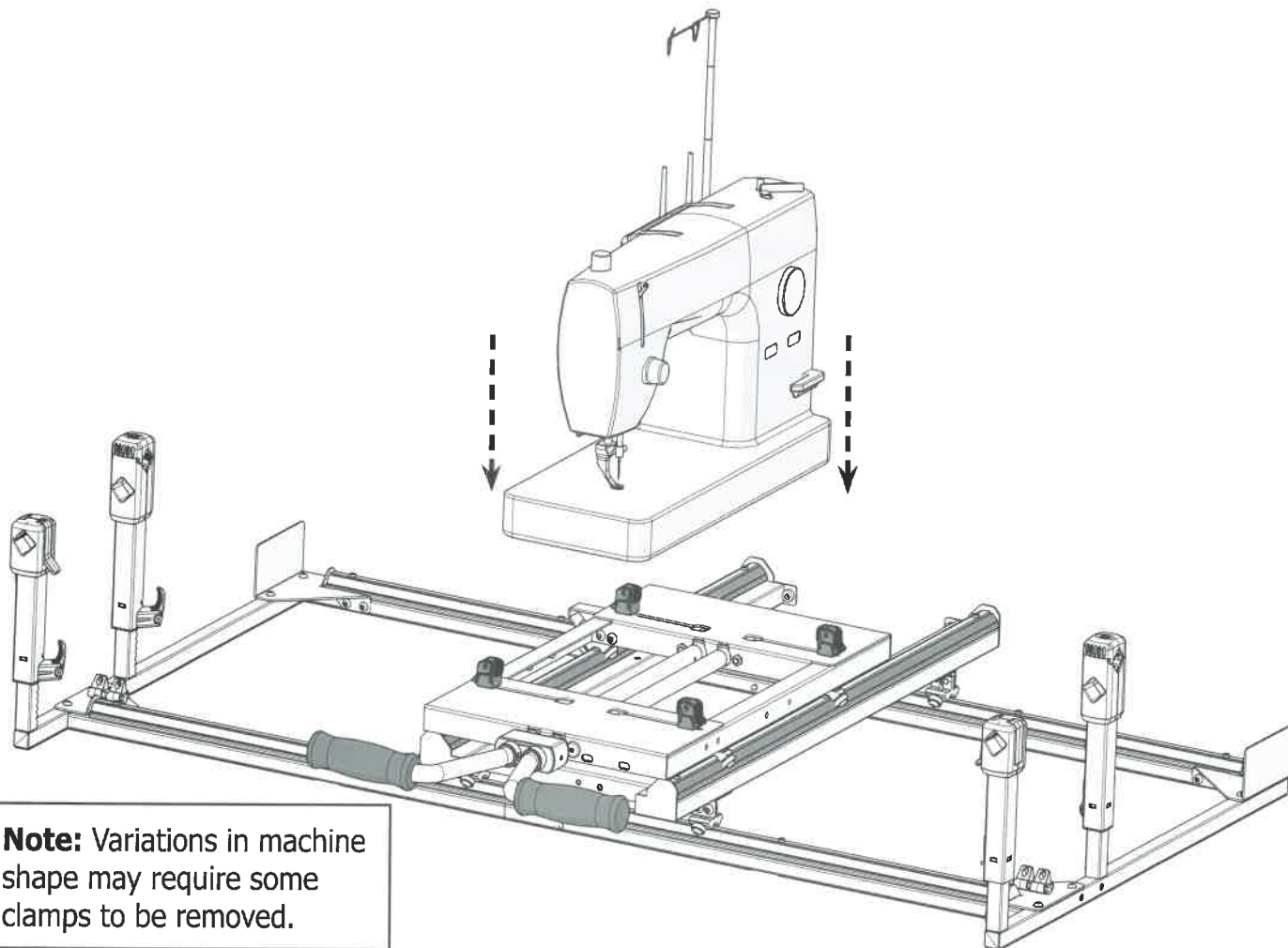
Tabletop Fabric Frame

Step 6 - Installing your Sewing Machine

Instructions

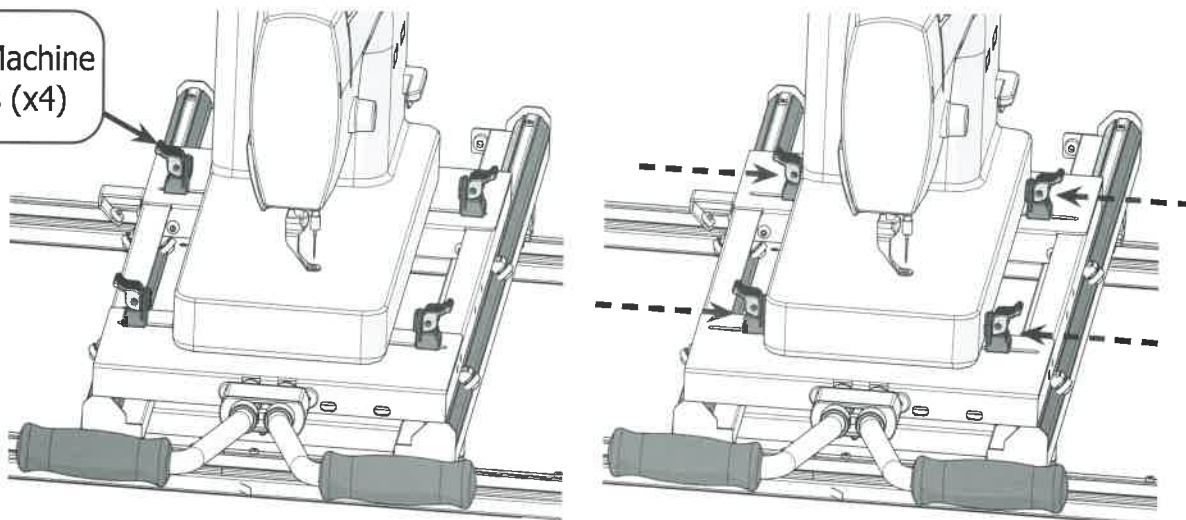
Take the following steps to secure your home sewing machine to the top plate.

- 1 Place your machine onto the top plate, centered between the top plate clamps. Ensure that all corners of the machine are placed solidly on the top plate metal.



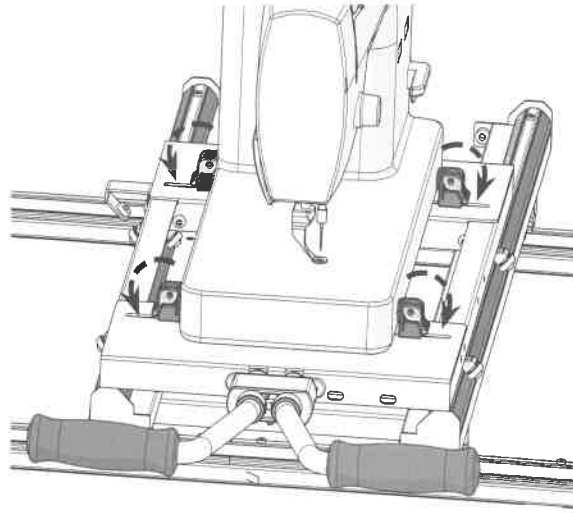
- 2 Open the **sewing machine clamps** and press them up against your sewing machine.

Sewing Machine Clamps (x4)

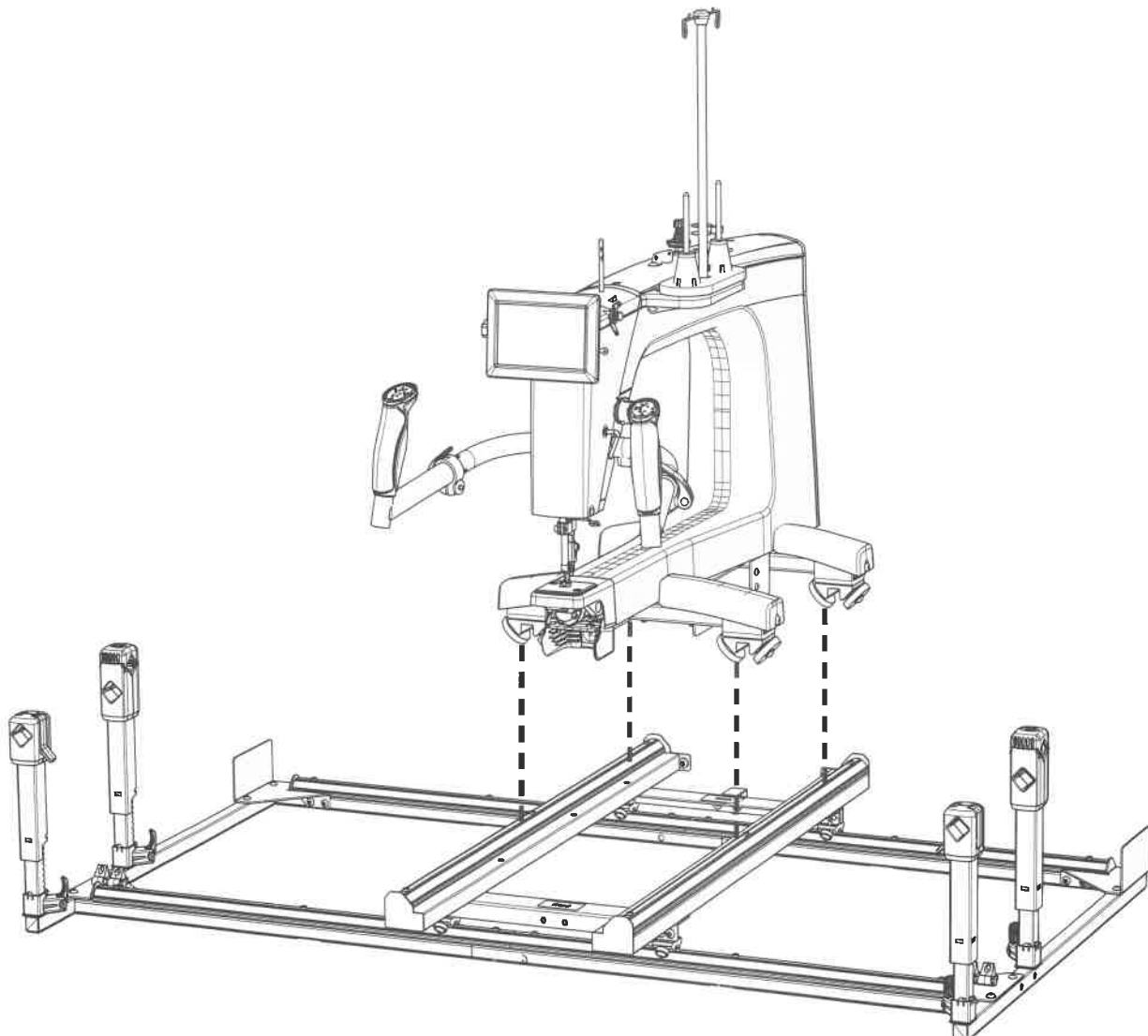


Adjusting the Rails (Continued)

- 3 Close the clamps to secure your sewing machine.



- 4 If you are using a mid or long-arm machine without the top plate, place your machine directly on the bottom carriage



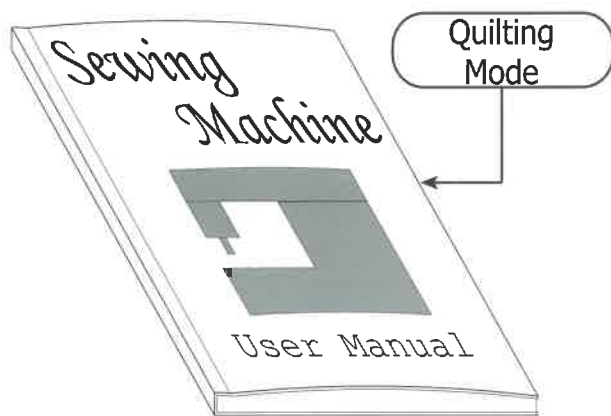
Step 7 - Prepare Your Machine for Quilting

Instructions

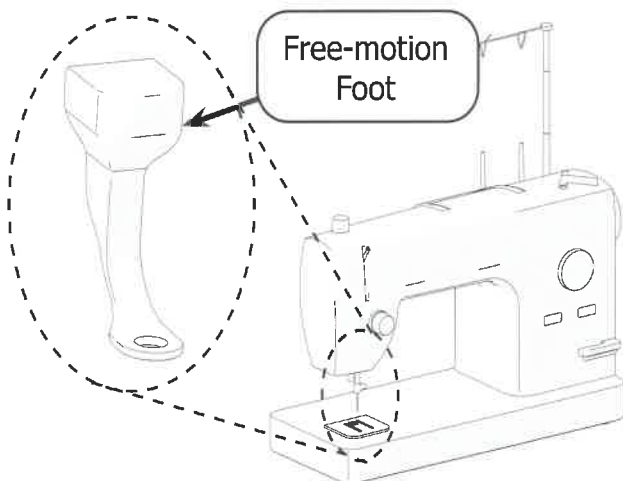
Take the following steps to prepare your sewing machine for quilting.

- 1 Switch to **quilting mode** if available on your machine. For instructions on switching between machine modes, see your **sewing machine user manual**.

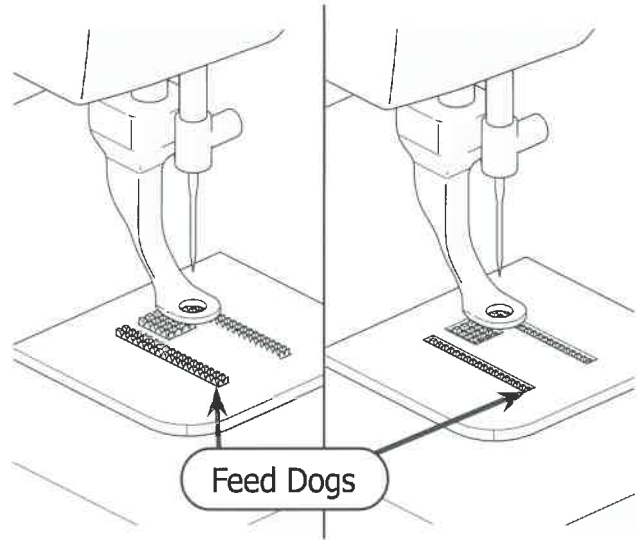
Note: Not all sewing machines will have this mode, but must be used if available.



- 2 Swap out your hopping foot for a **free-motion** or **embroidery hopping foot**.



- 3 If not already done by changing to quilting mode, Lower your machine's **feed dogs** so they don't catch on the quilt backing.



Part Three

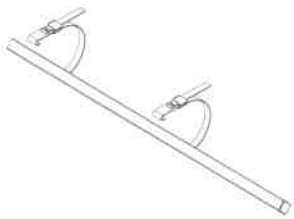
Step 8 - Installing the Rails	24
Step 9 - Adjusting the Rails	31
Step 10 - Adjusting the Carriage Stop Bracket	33
Step 11 - Adjusting the Top Plate Handles	34
Step 12 - Extending Your Foot Pedal Cable	36

Tabletop Fabric Frame

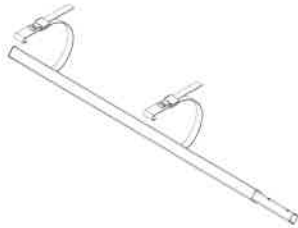
Step 8 - Installing the Rails

Parts & Tools Needed:

Long Take-up Rail



Short Take-up Rail



Long Front Rail



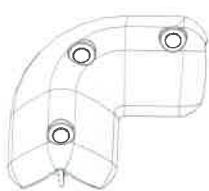
Short Front Rail



Hoop Side Rail (X2)



Rail Corner Bottom (x2)



Rail Corner Top (x2)



SBHCS
M4 X 25 mm (x6)



Allen Wrench
2.5 mm



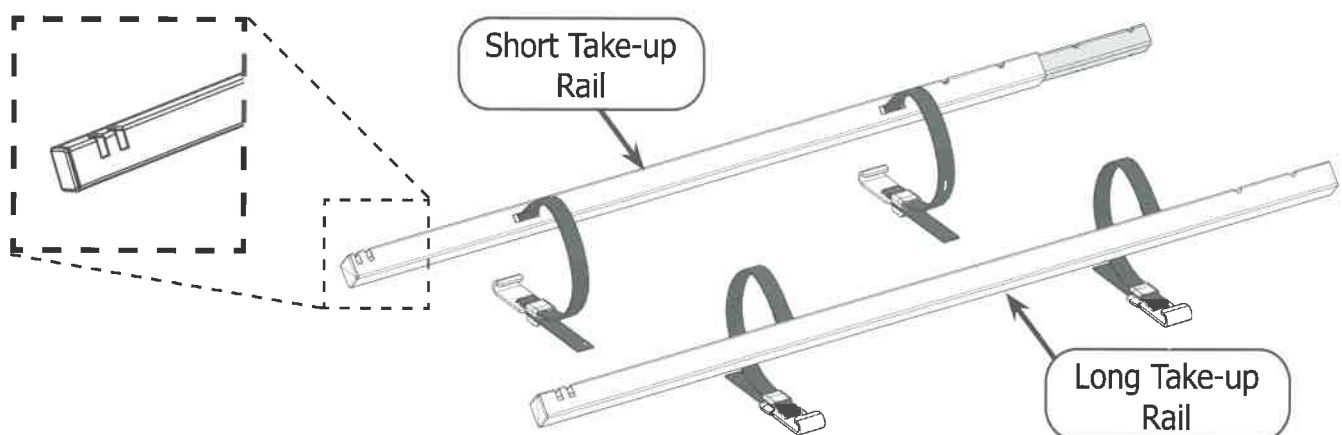
Allen Wrench
2 mm



Instructions

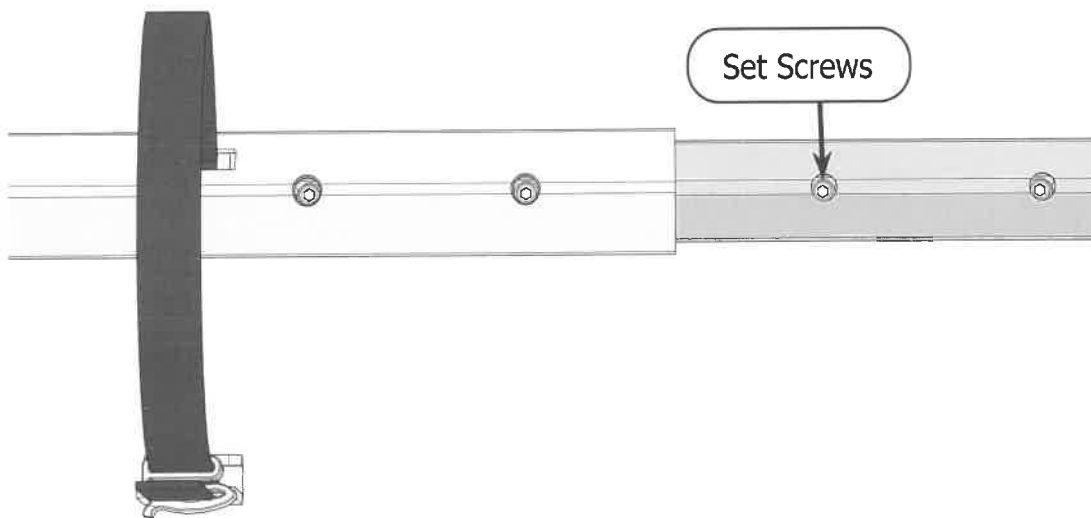
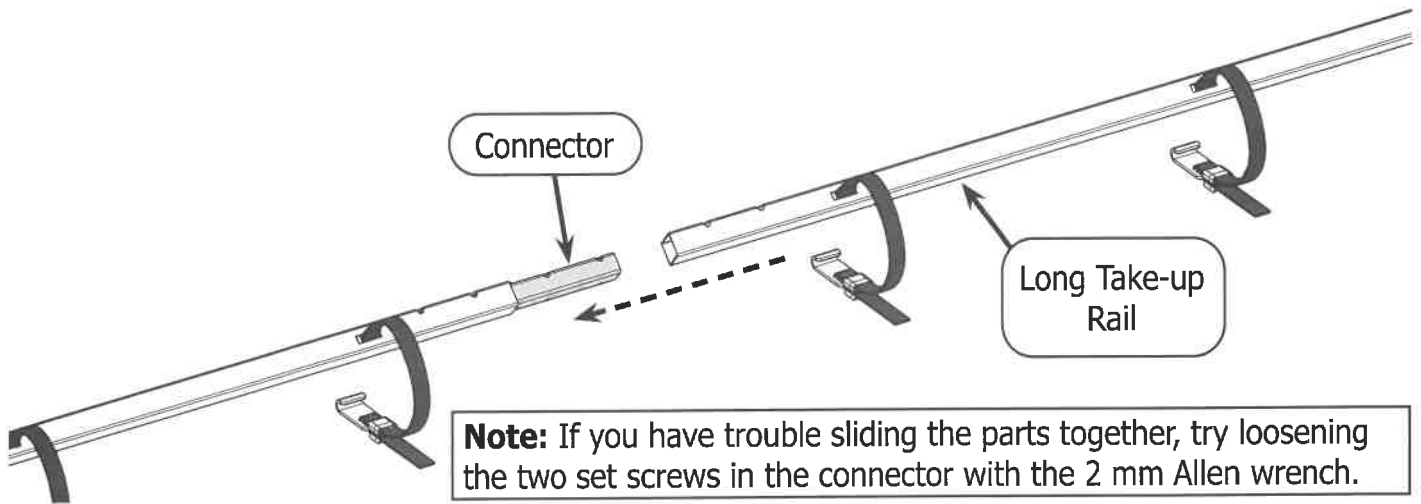
The rails hold your quilt in place while you work. Please take the following steps to assemble and install the frame rails:

- 1 Locate the **long** and **short take-up rails**. The take-up rail pieces have two rectangular cut-outs on one end.

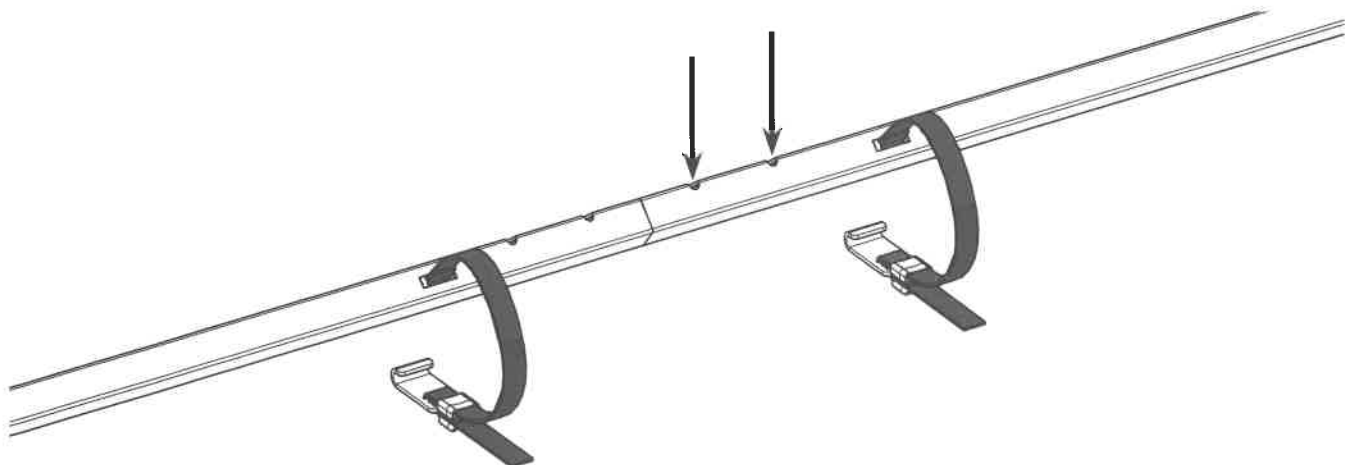


Installing the Rails (Continued)

- Slide the **long take-up rail** over the **connector** on the short take-up rail so the screw holes align with the pre-installed **set screws**.



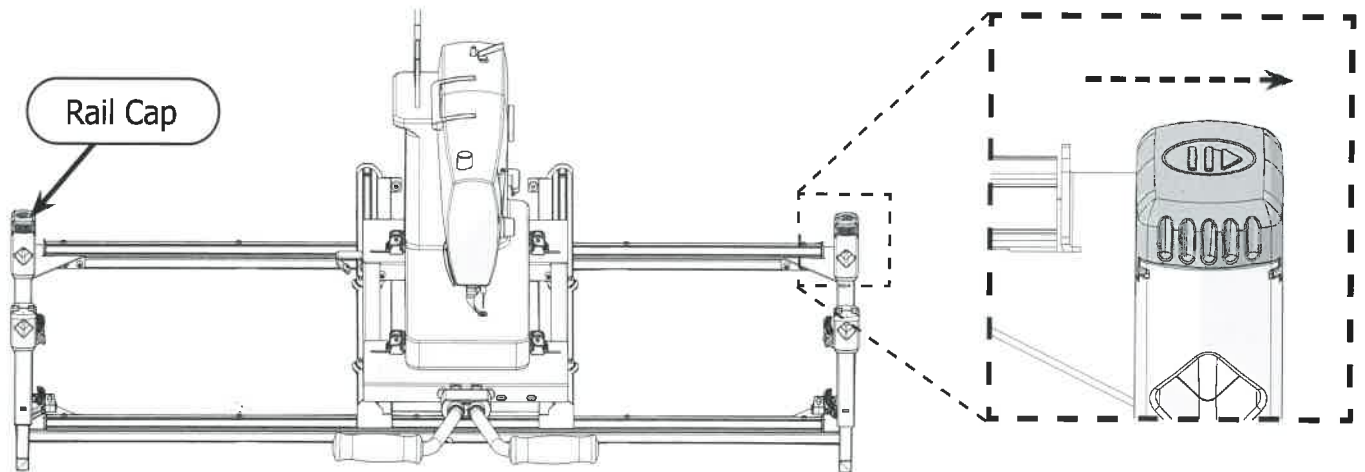
- With the 2 mm Allen wrench, tighten the pre-installed set screws in the take-up rail.



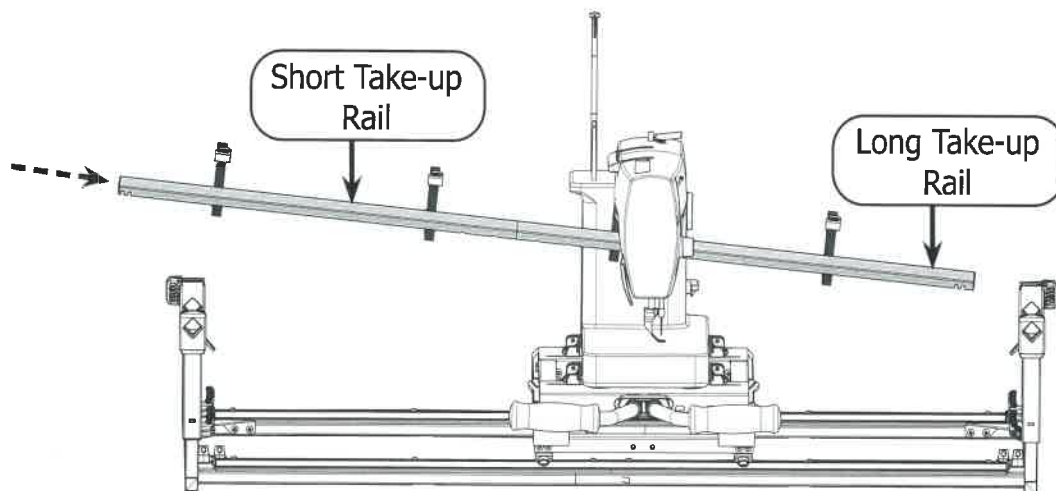
Tabletop Fabric Frame

Installing the Rails (Continued)

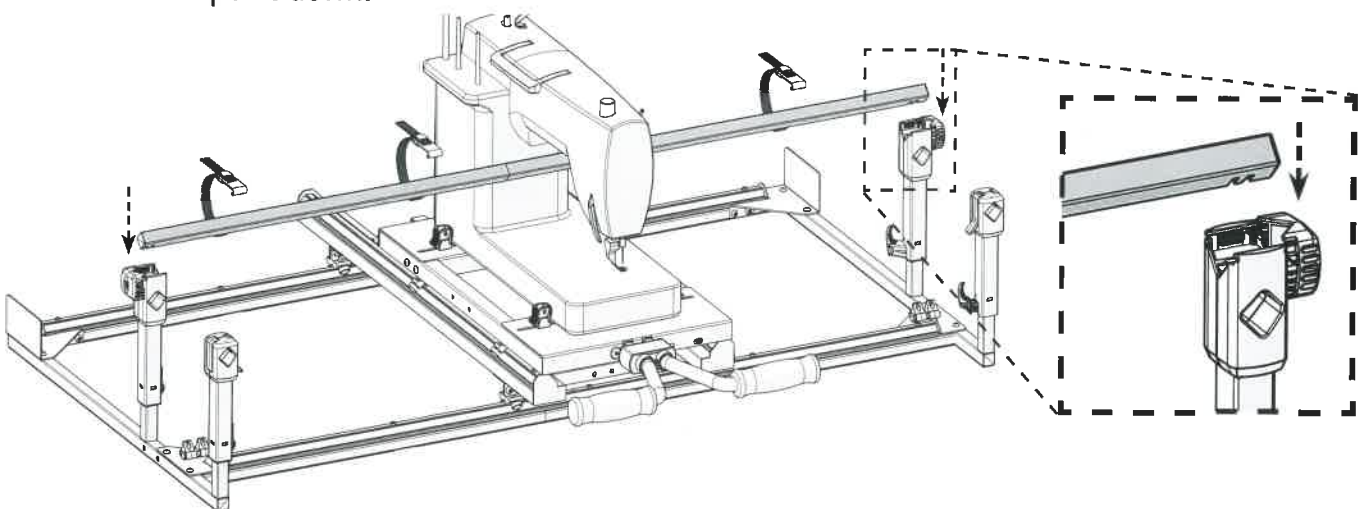
- 4 Open the take-up **rail caps** by sliding them outward, following the direction of the embossed arrows.



- 5 Pass the take-up rail through the throat of the machine. Make sure the **long half of the take-up rail** is on the right side.

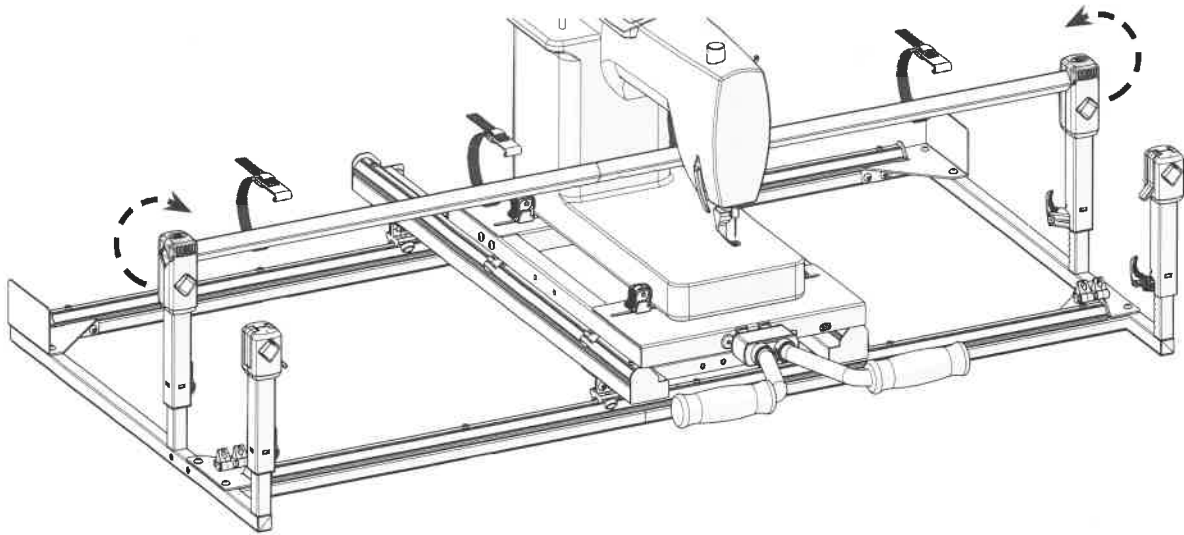


- 6 Place the rail into the grooves on each of the frame sides. The two rectangular notches in the rails must point down.

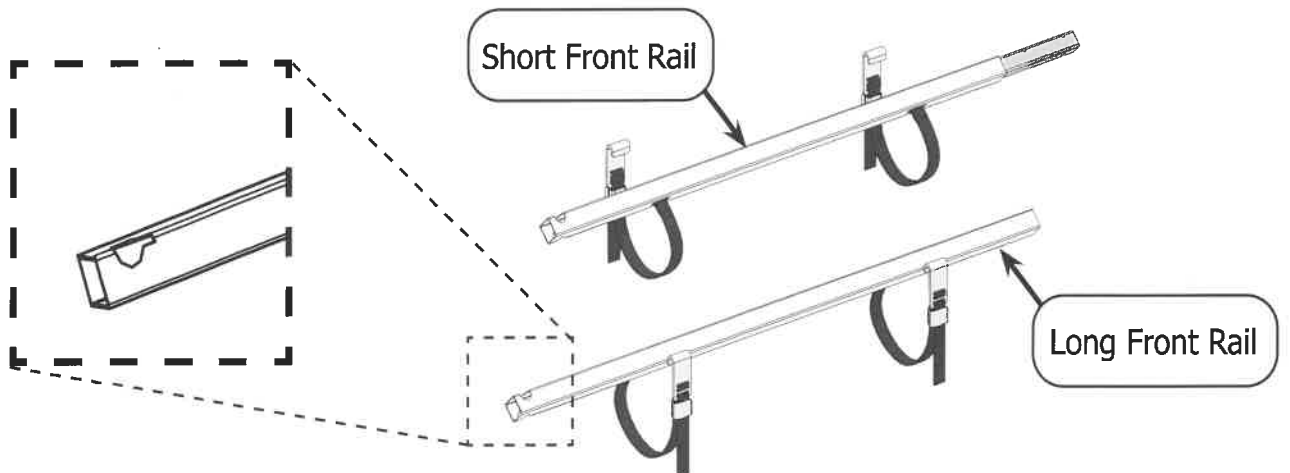


Installing the Rails (Continued)

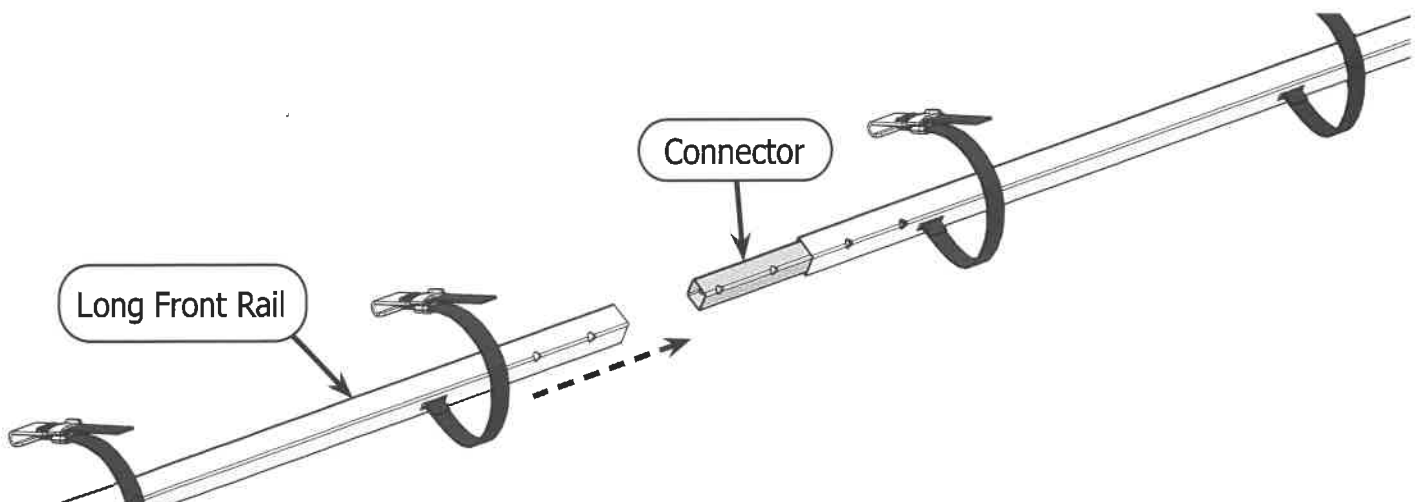
- 7 Close the rail caps to secure the take-up rail.



- 8 Locate the **long** and **short front rails**. The front rail pieces have keyholes cut-outs on one end.



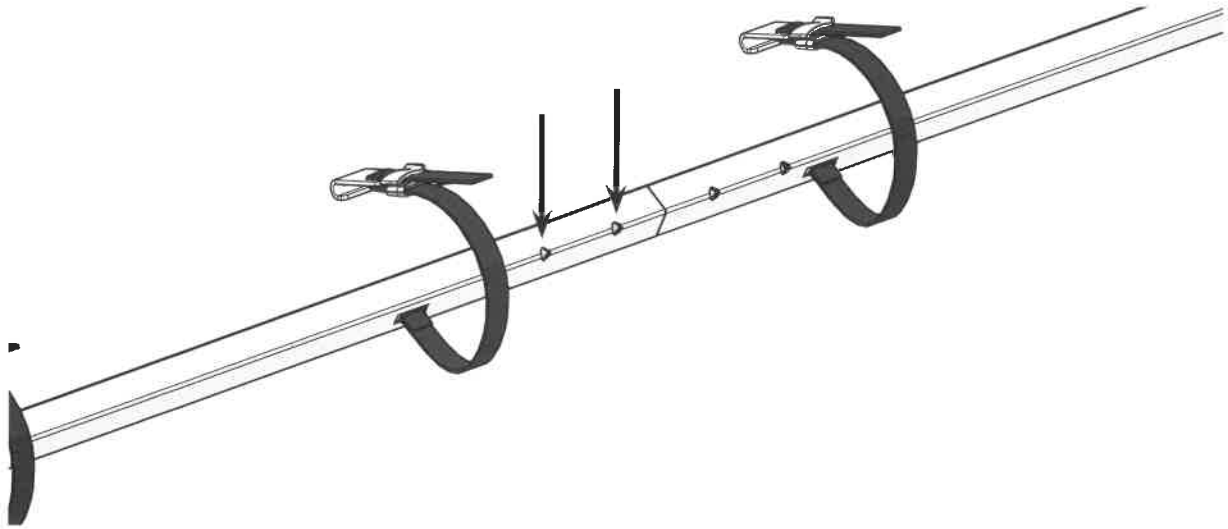
- 9 Slide the **long front rail** over the **connector** on the short front rail so the screw holes align.



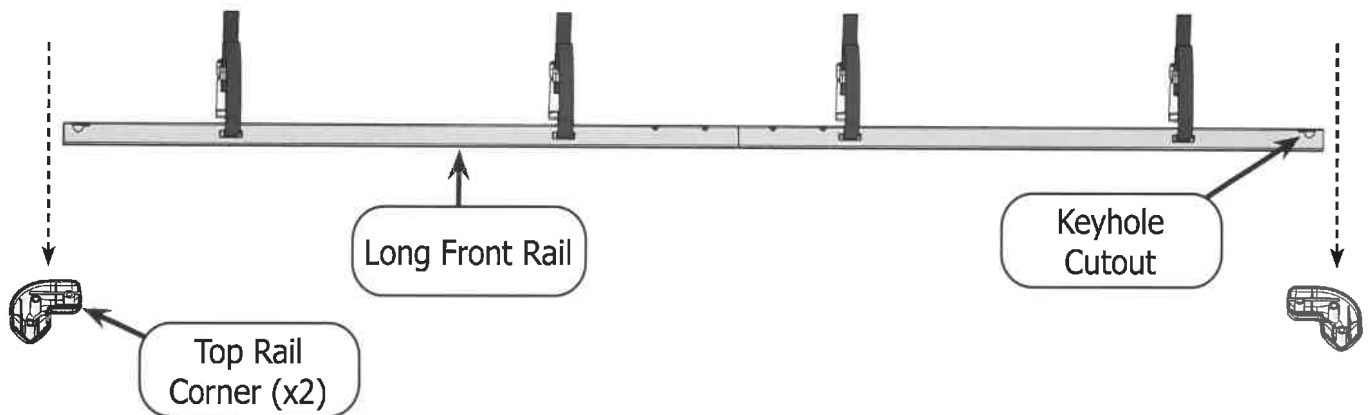
Tabletop Fabric Frame

Installing the Rails (Continued)

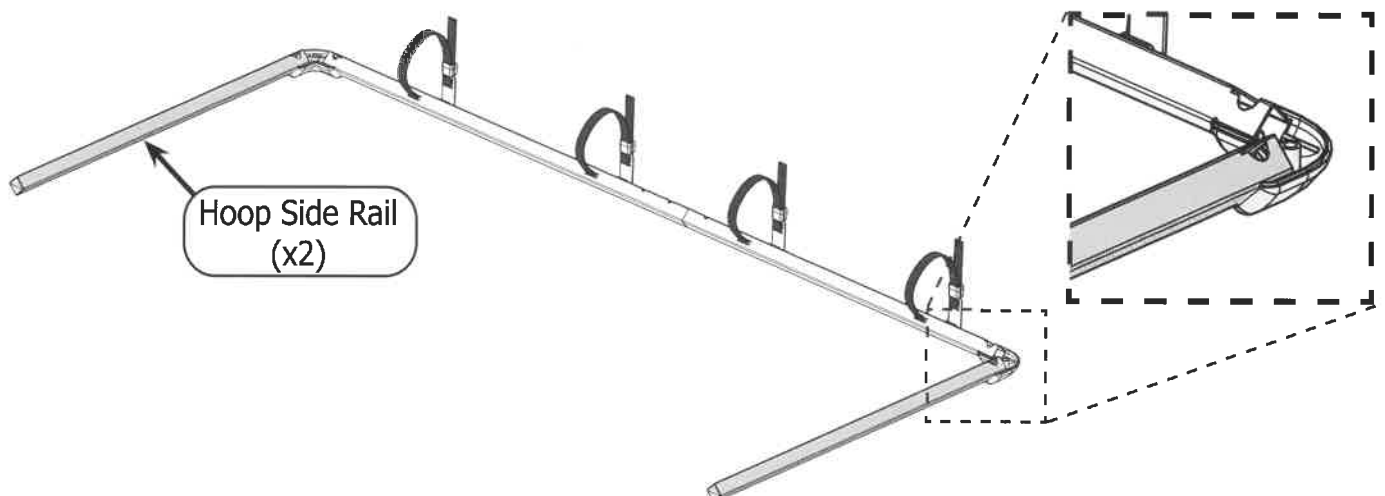
- 10 With the 2 mm Allen wrench, tighten the pre-installed set screws in the front rail.



- 11 Place the **front rail** onto the two **top rail corners** so the **keyhole cutout** faces away from the corners, and the long front rail is to the left.

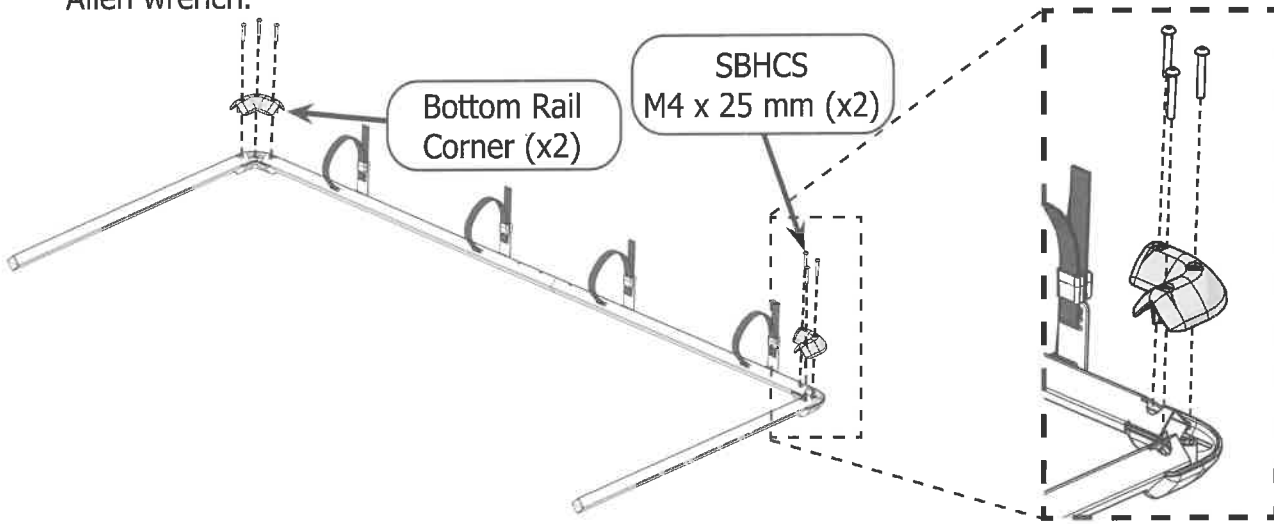


- 12 Place each **hoop side rail** into a top rail corner so the end with the hole rests in the corner.

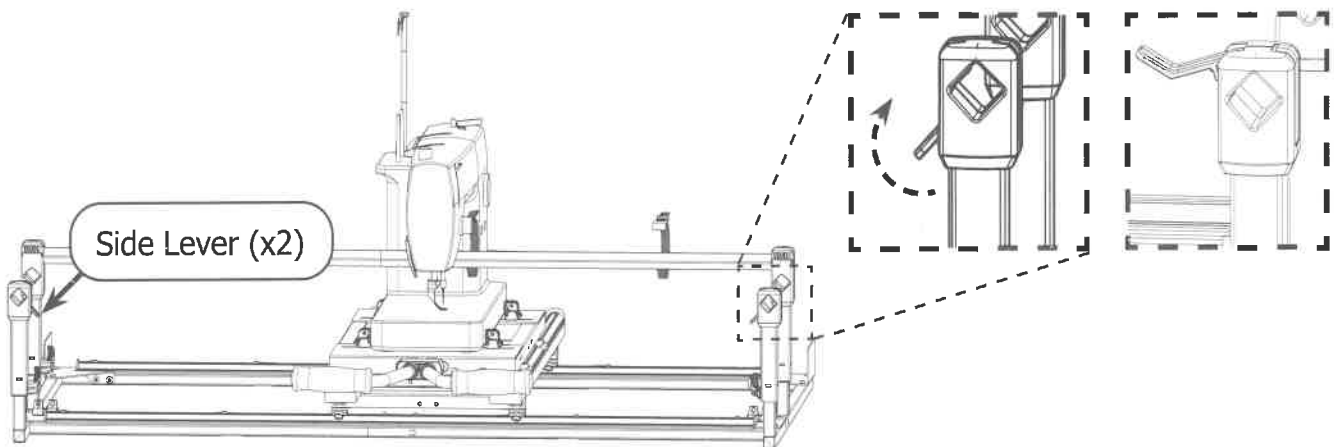


Installing the Rails (Continued)

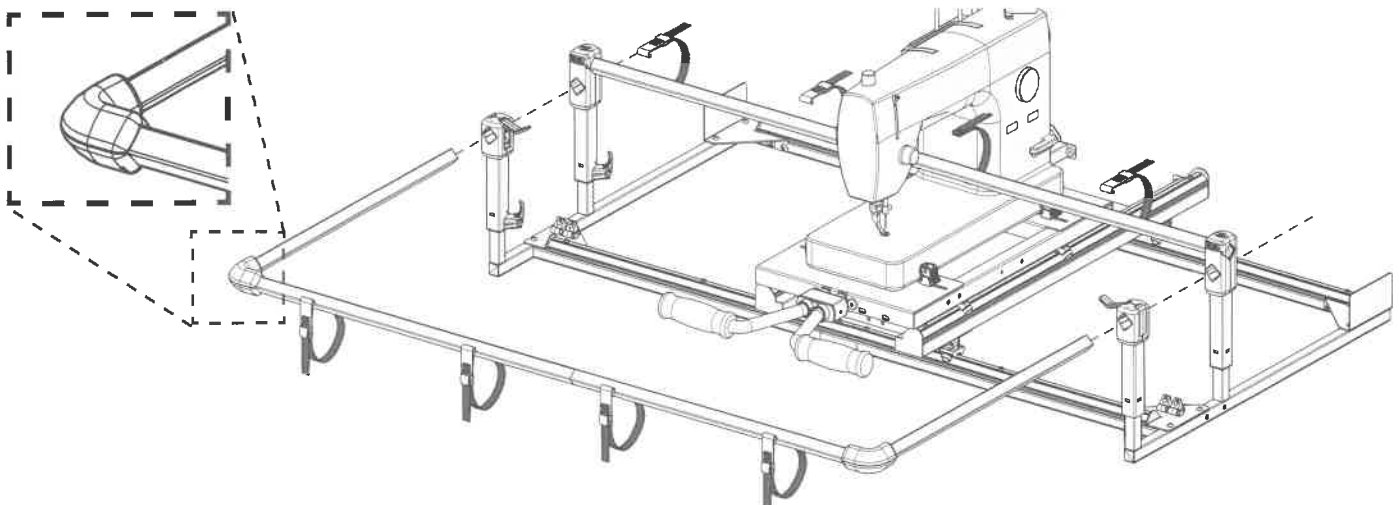
- 13 Attach the **bottom rail corners** using three **M4 x 25 mm SBHCS screws** and the 2.5 mm Allen wrench.



- 14 Open the **levers** on the front of the frame sides.



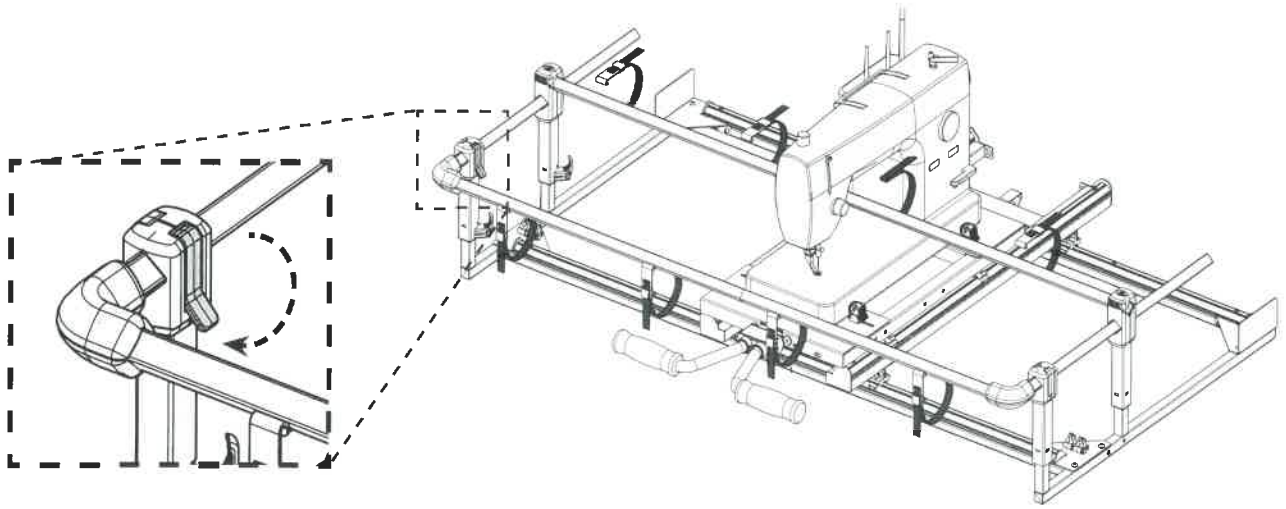
- 15 Slide the assembled front rail into the frame sides so the screws in the corners face down.



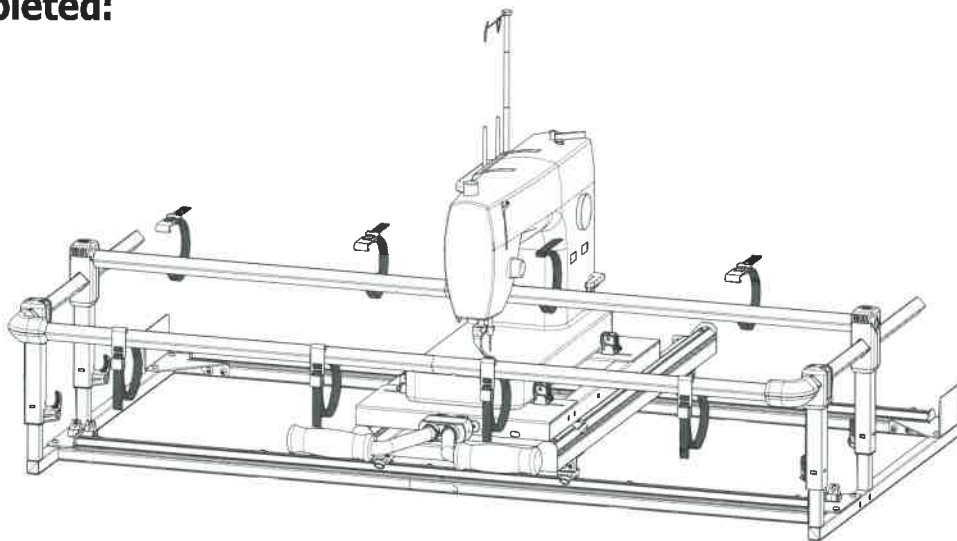
Tabletop Fabric Frame

Installing the Rails (Continued)

- 16 Close the levers to secure the front rail.



Step 9 Completed:

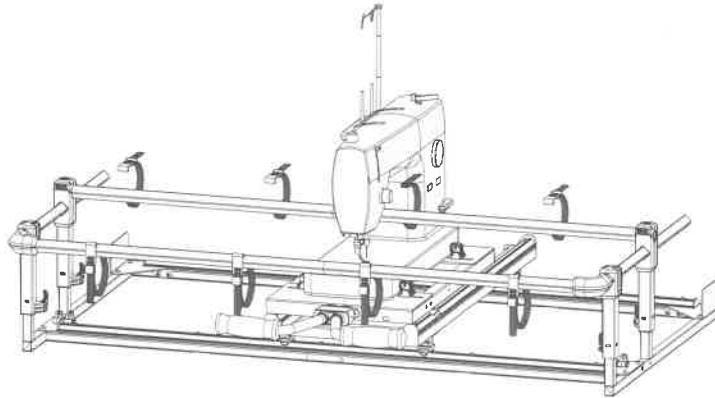


Step 9 - Adjusting the Rails

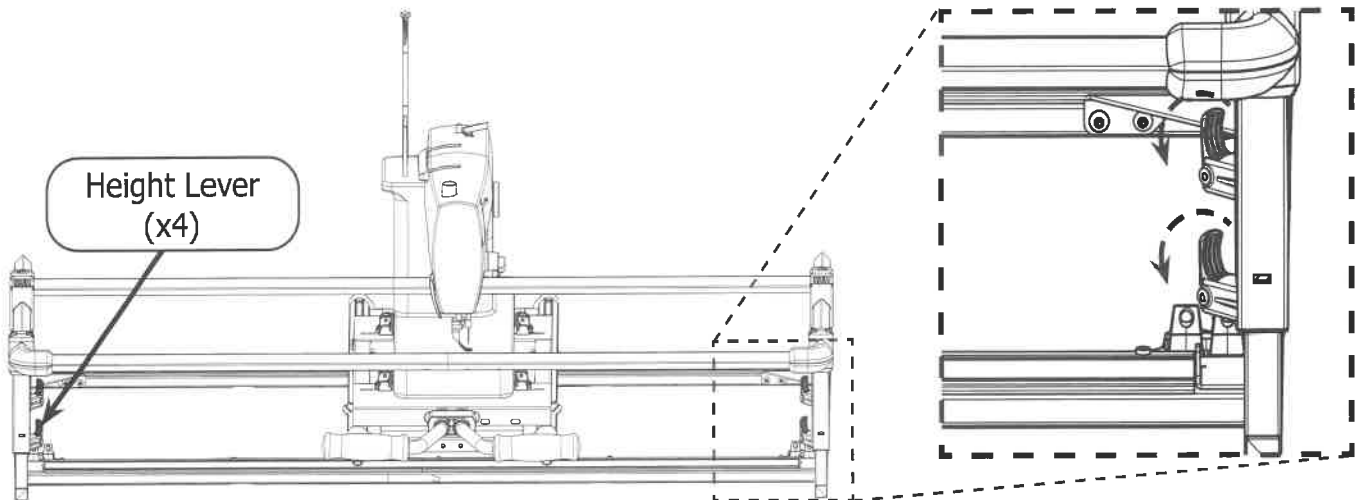
Instructions

The rails must be adjusted to accommodate the size of your quilting or sewing machine.

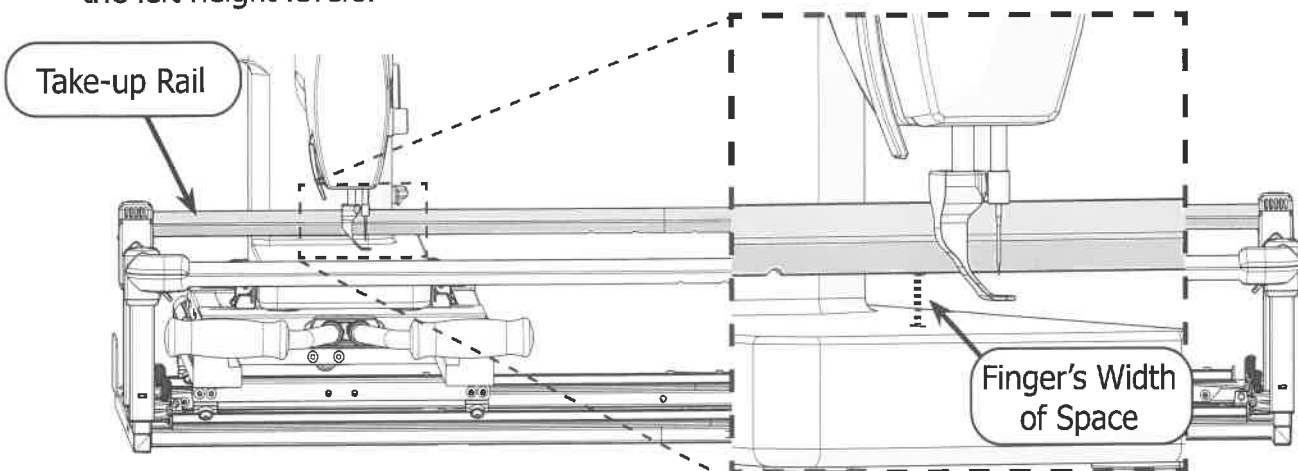
- 1 Ensure the frame is fully assembled and the machine installed.



- 2 Open the **levers** at the base of both side assemblies.



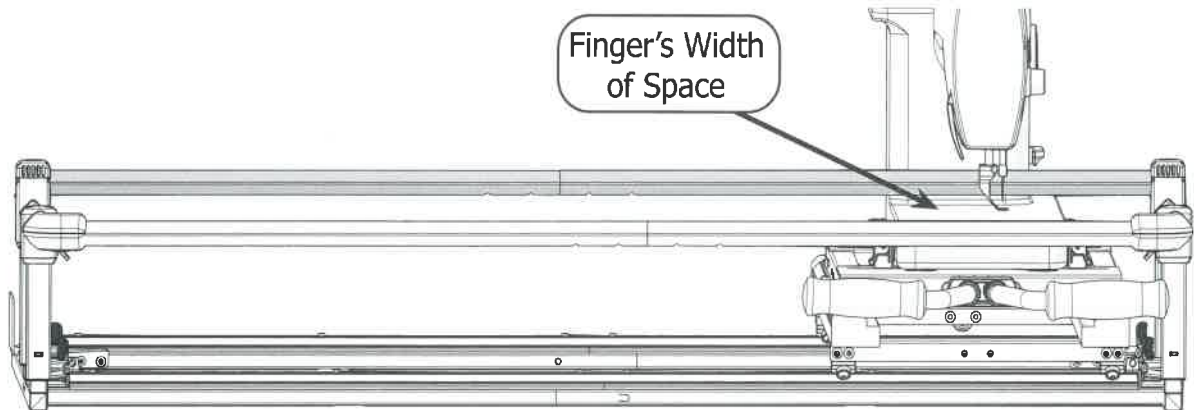
- 3 Slide the machine to the far left of the frame. Set the rail height so there is about a **finger's width of space** between the **take-up rail** and the floor of your sewing machine. Then close the left height levers.



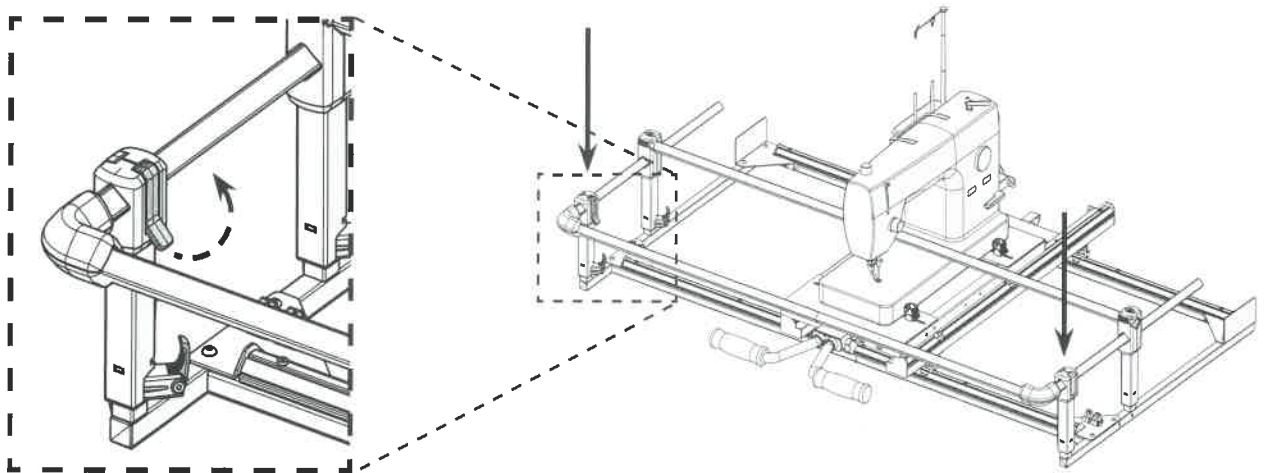
Tabletop Fabric Frame

Adjusting the Rails (Continued)

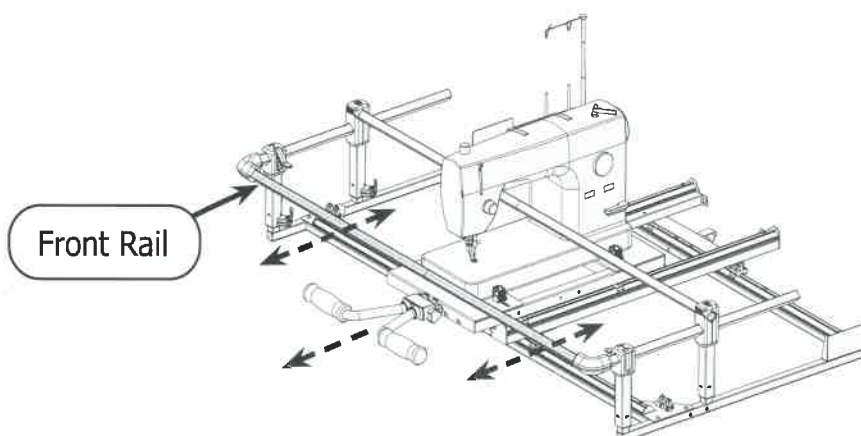
- Slide the machine to the far right of the frame and repeat the previous step for this side of the frame.



- The front rail can be extended to accommodate machine throats of varying lengths. Loosen the knobs under the take-up rail.



- Pull your top plate or quilting machine as far forward as possible. If your machine hits the front rail, extend out the **front rail** to create about an inch of space between it and the machine. Close the levers when satisfied. **Tip:** Slide the machine from one side to the other to check that everything is square.



Note:

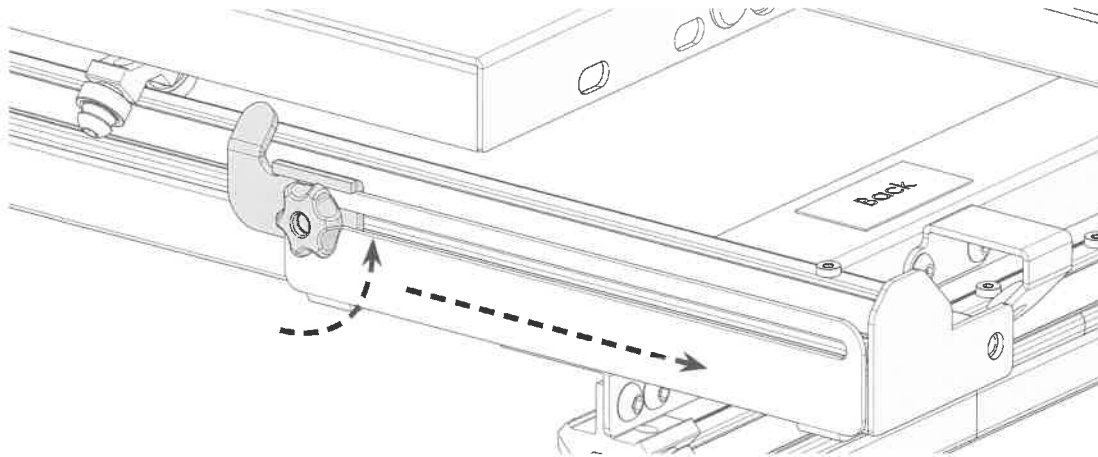
- When fabric is loaded onto the front rail, additional adjustment may be needed.
- If you are using a quilting machine with an accessory ruler base, provide an additional half-inch of space between the front rail and machine.

Step 10 - Adjusting the Carriage Stop Bracket

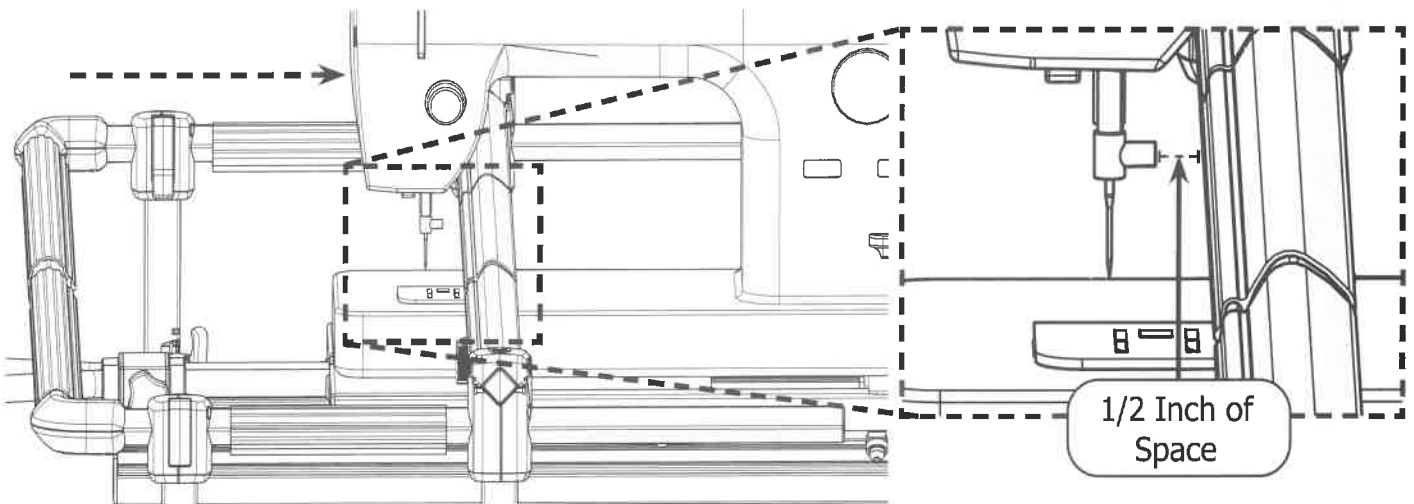
Instructions

Follow these steps to adjust the carriage stop to prevent your machine from hitting the take-up rail.

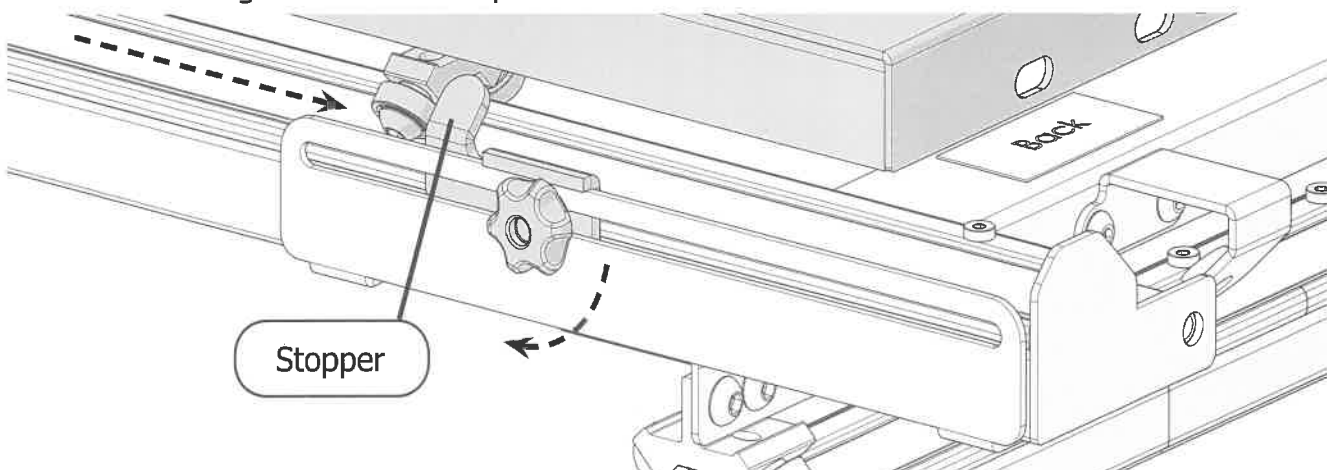
- 1 Loosen the knob on the carriage stop bracket by turning it counter clockwise and then slide the knob and stopper towards the rear of the bracket.



- 2 Slide the machine back until there is about half an inch of space between the needle and the take-up rail.



- 3 Hold the machine in place to keep the half-inch distance between the needle and take-up rail. Slide the **stopper** along the bracket until it rests against the wheel of your top plate or machine. Tighten the knob in place.

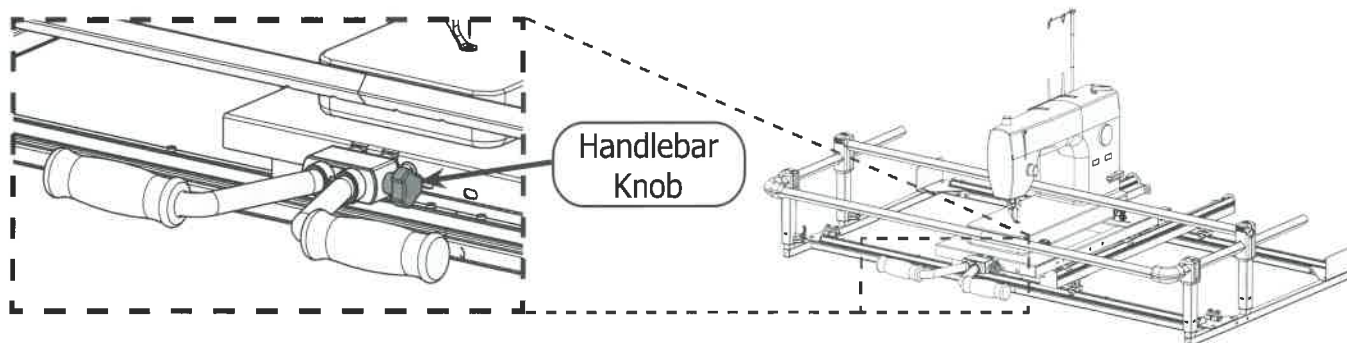


Step 11 - Adjusting the Top Plate Handles

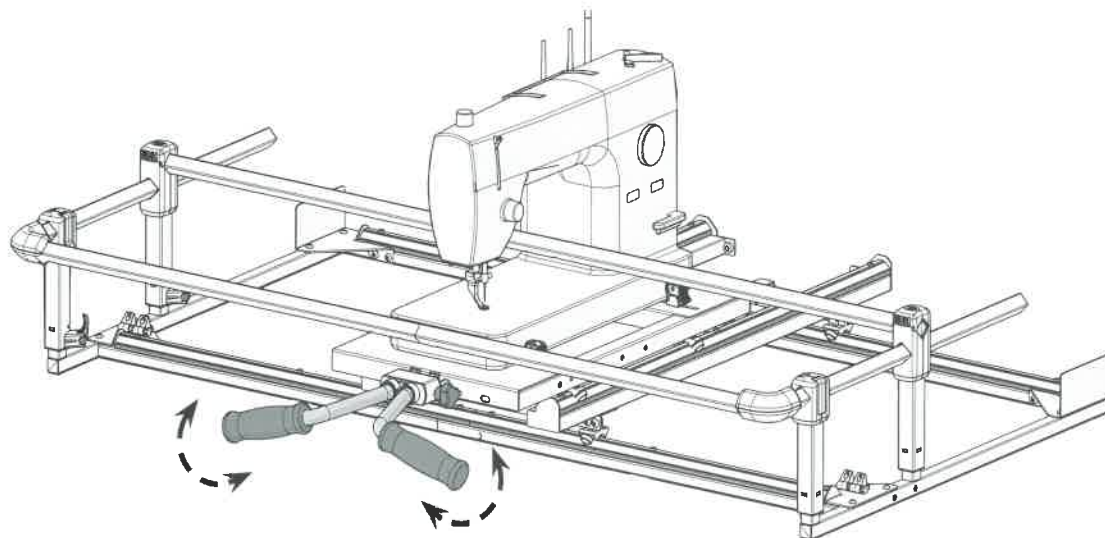
Instructions

Comfort is critical when working at a frame, especially for long periods of time. Take the following steps to adjust the top plate handles to suit your needs.

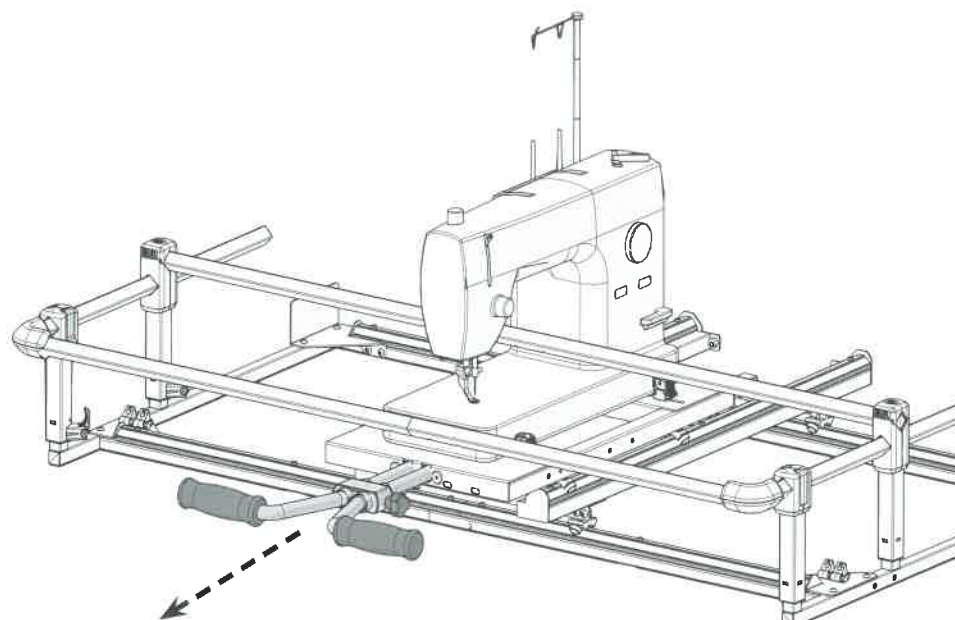
- 1 Loosen the **handlebar knob**.



- 2 Rotate the handles to a comfortable position.

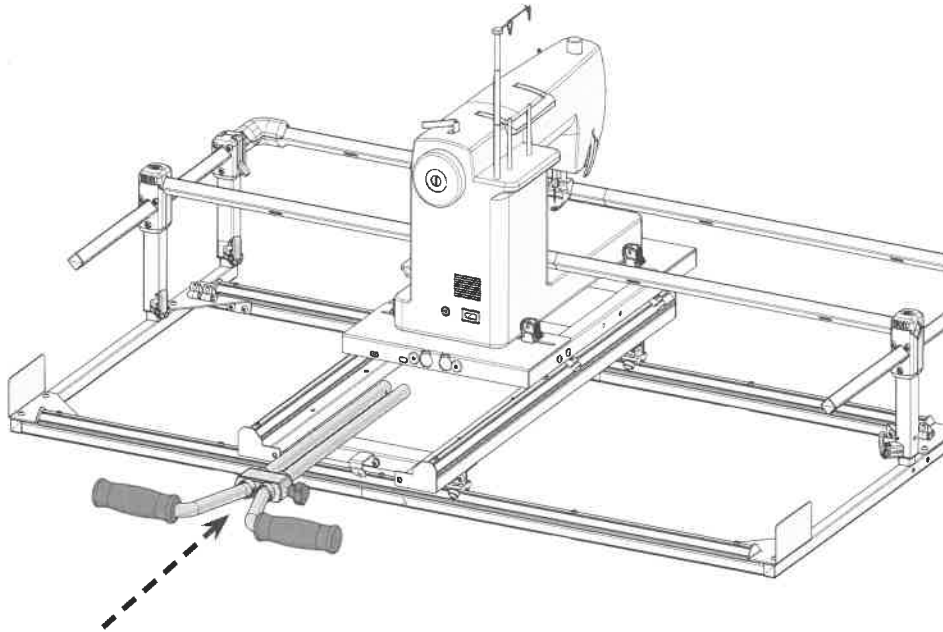


- 3 The handles can also be extended out for a better reach. Tighten the handlebar knob when finished.



Adjusting the Top Plate Handles (Continued)

Note: When using tracing accessories, pull the handles out all the way and install them into the rear of the top plate.

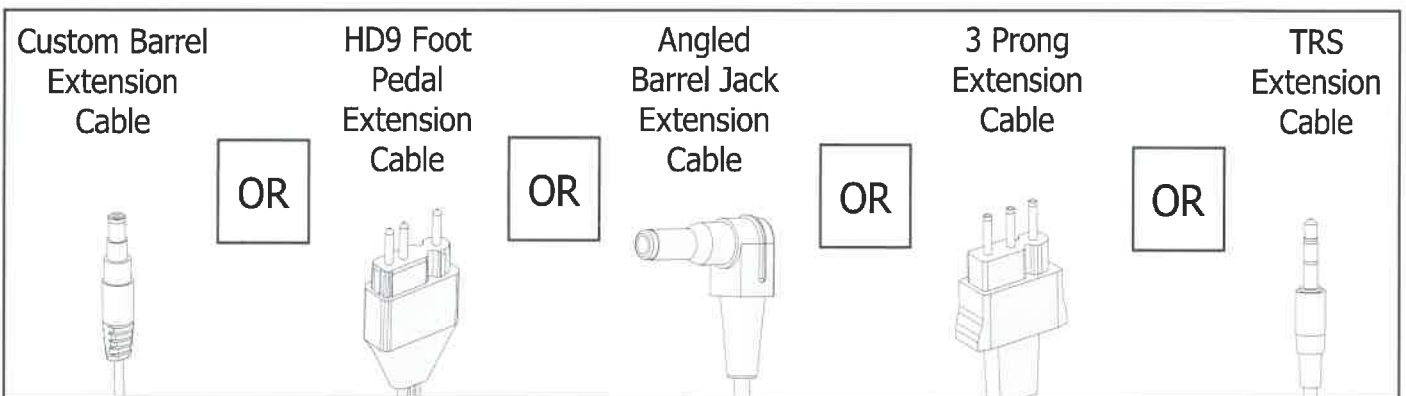
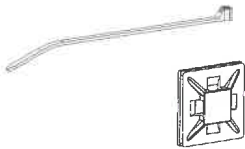


Tabletop Fabric Frame

Step 12 - Extending Your Foot Pedal Cable

Parts & Tools Needed:

Zip Tie/Zip Tie
Mount (x4)

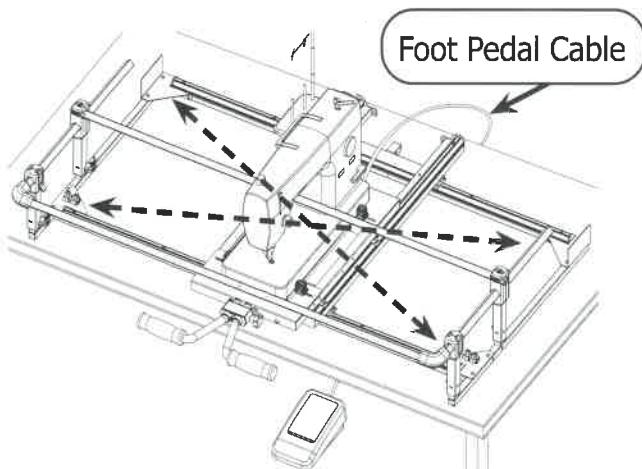


Note: Some machine foot pedal cables may have trouble reaching around wider tables. To increase the compatibility of your frame with different styles of tables and counters, we have provided foot pedal extension cables. **Due to the diversity of sewing machine models in the market, we are not able to provide extension cables for every foot pedal model available.** These are the five most commonly used styles of foot pedal cables.

Instructions

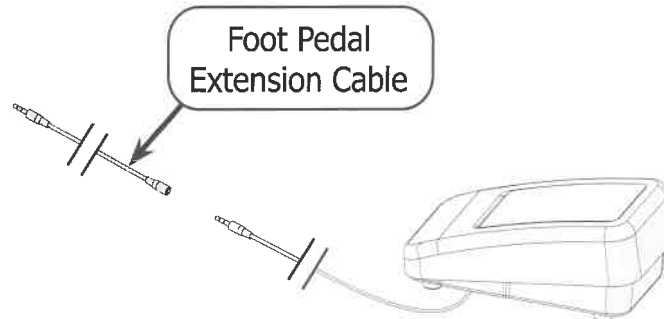
If you find that your foot pedal cable is too short to handle the full motion of the sewing machine on the frame, try the following steps:

- 1 Test if your **foot pedal cable** is long enough to reach the machine and allow for full movement across the frame.
- 2 If it is not long enough, you may benefit from using a **foot pedal extension cable**. Compare your foot pedal cable to the extension cables provided.

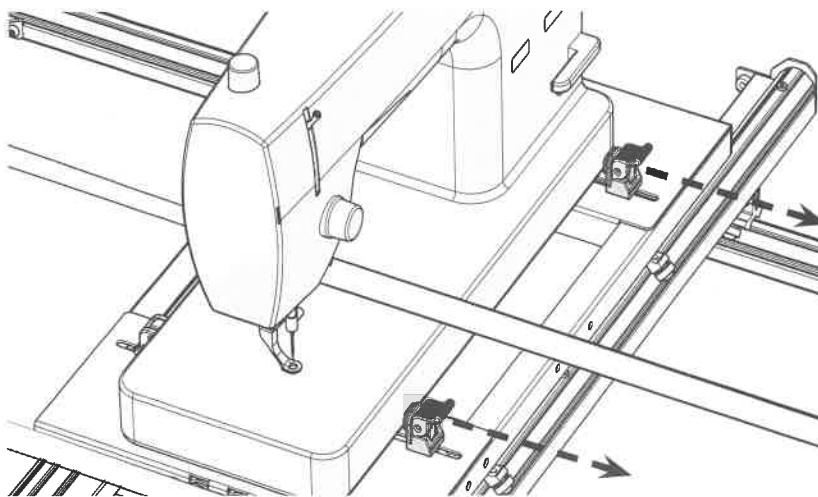


Extending Your Foot Pedal Cable (Continued)

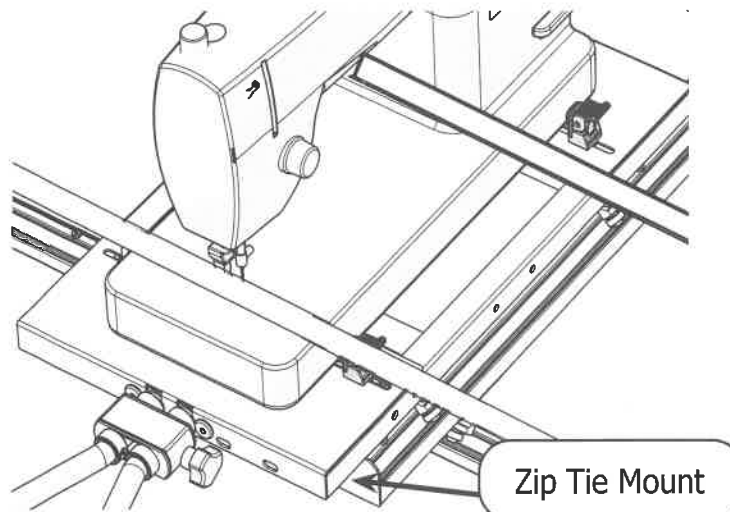
- 3 If there is a match, plug your foot pedal into that extension cable.



- 4 It may also help to run the cable across to the front of the machine. Extend out the machine clamps on one side.



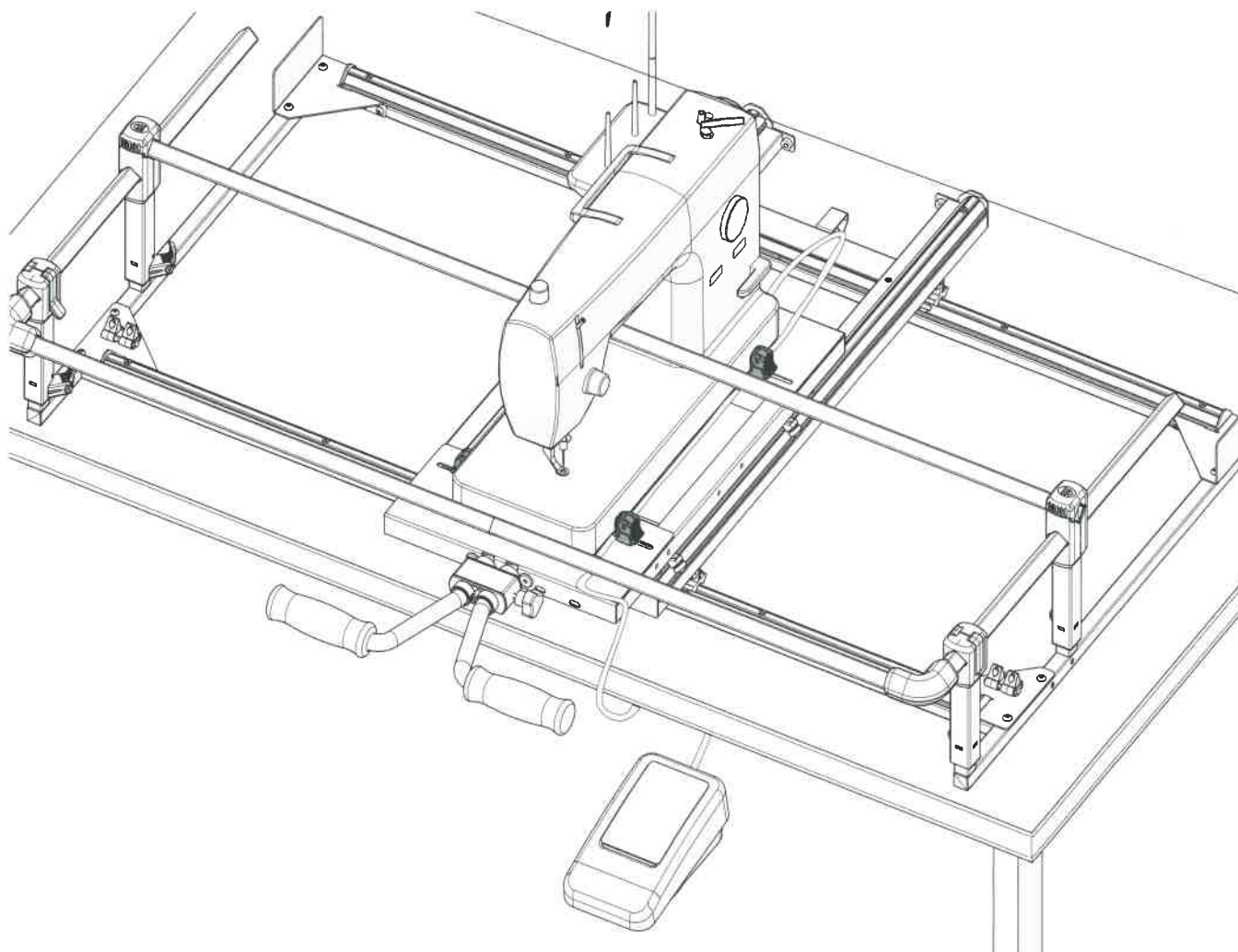
- 5 Attach the adhesive **zip tie mount** to the front of the top plate.



Tabletop Fabric Frame

Extending Your Foot Pedal Cable (Continued)

- 6 Run the cable between the machine and the machine clamps. Zip-tie it to the Zip-tie mount.



Part Four

Step 13 - Preparing your Quilt 40
Step 14 - Attaching your Quilt 42
Step 15 - Moving your Fabric..... 44
Step 16 - Getting Started 47

Step 13 - Preparing your Quilt

Parts & Tools Needed:



Tape Measure (not included)

Pins (not included)

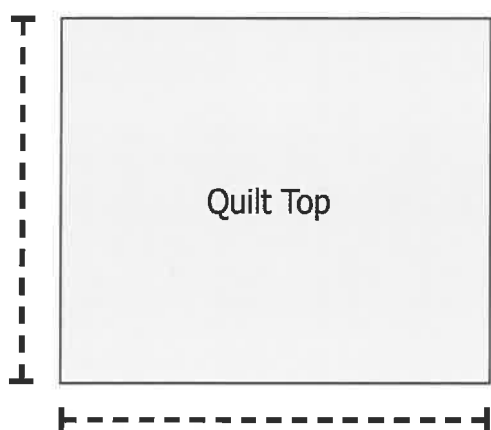
Fabric (not included)

Instructions

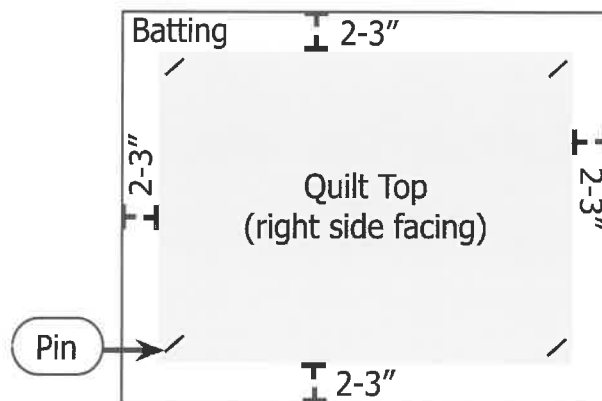
It's just about time to get started quilting! Follow these instructions to prepare your quilt for attaching to the frame:

Note: For first-time assembly, follow these steps with spare pieces of fabric that you can use to practice with before starting an actual quilt. Just make sure to still include all three layers: quilt top, batting, and backing.

- 1 Measure the length and width of your quilt top.



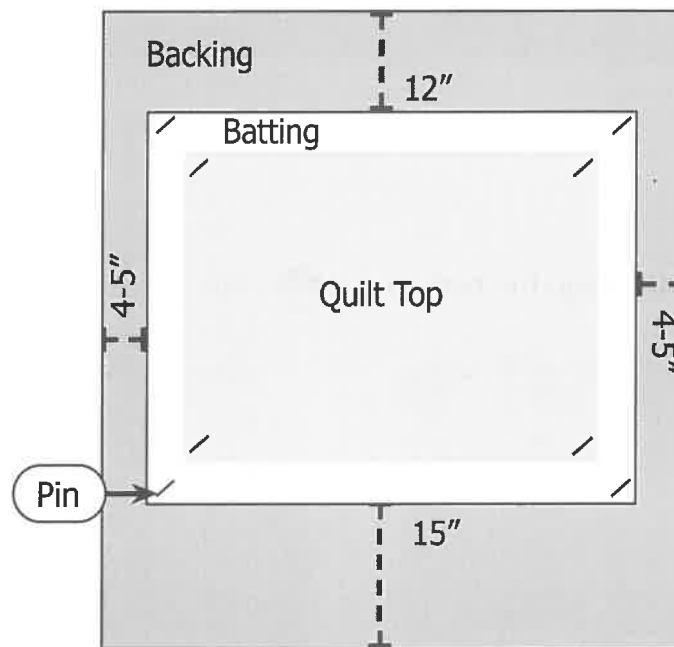
- 2 Cut your quilt batting so that it is 2-3 inches larger than the quilt top on all sides. **Pin** the quilt top right side up to the batting.



Preparing your Quilt (Continued)

- 3 Cut your quilt backing so that the sides extend 4-5" out from the batting. The top edge of the backing should be at least 12" from the edge of the batting, and the bottom of the backing should be at least 15" from the edge of the backing.

Pin the backing to the quilt with the right side facing down, away from the batting.



Note: Accessory cloth leaders can reduce the amount of backing material you need to use, which can save you space and money. Visit graceframe.com for pricing and other information.

Tabletop Fabric Frame

Step 14 - Attaching your Quilt

Parts & Tools Needed:

Fabric Clamp (x3)

Side Fabric Clamp (x2)

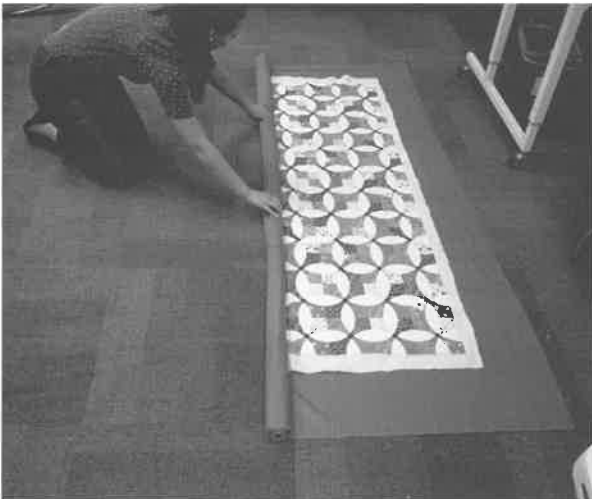
Front Fabric Clamp
with Clip (x2)



Instructions

Follow these instructions to attach your quilt to the frame:

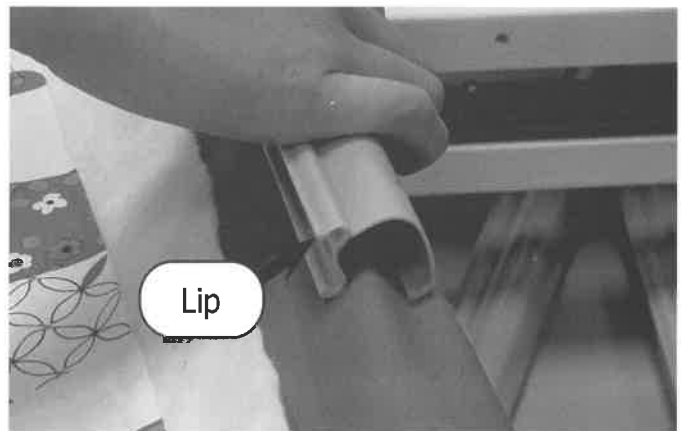
- 1 Roll your quilt up starting from the bottom to carry it to the frame.



- 3 While keeping the bottom edge of the quilt rolled up, press each of the 3 mid-sized **fabric clamps** over the quilt, onto the take-up rail so the lip faces inward



- 2 Slide the top edge of the quilt under the hopping foot on your sewing machine, and over the top of the take-up rail. Make the edges square with the frame.

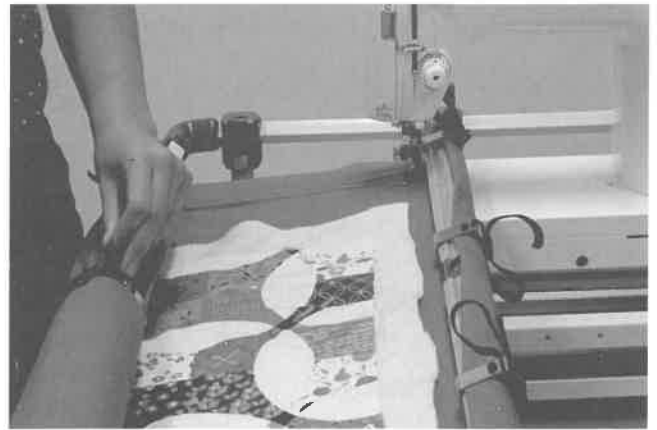


Attaching your Quilt (Continued)

- 4 Fasten down the excess fabric on the take-up rail by attaching **fabric straps** to the lip of each clamp.



- 6 Fasten down the rolled fabric with the fabric straps.



- 5 Clamp down the fabric to the front rail with the **front fabric clamps**. Again, ensure the lip on each clamp points inward.



- 7 After tensioning the straps, tuck the excess into the plastic clips on each strap.



Tabletop Fabric Frame

Step 15 - Moving your Fabric

Parts & Tools Needed:



Tape Measure or Ruler (not included)

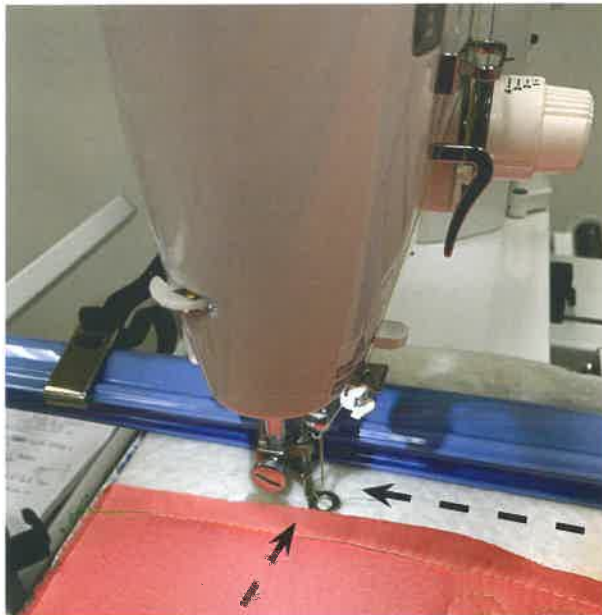


Marking Tool such as Fabric Marker, Chalk, Masking tape, etc (not included).

Instructions

Follow these instructions for measuring the reach of your machine on the fabric, moving the fabric on the frame, and moving the fabric to change the bobbin:

- 1 Move your machine to the back left corner of the frame until it can't go any further.



- 2 Mark **1.5 inches** from the rear rail and 1 inch from the left edge with your marking tool. Use this guide to remind you how far you can quilt before you risk hitting the rail.



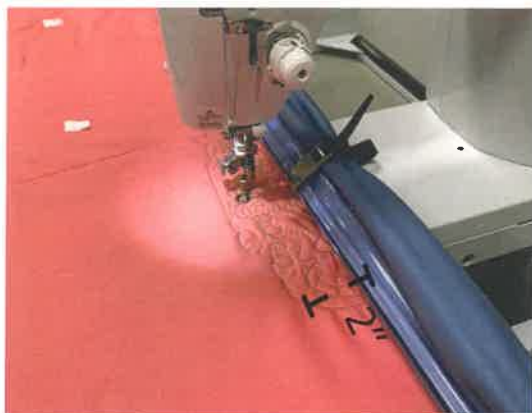
Moving your Fabric (Continued)

- 3 Repeat the process for the middle and right side of the quilting area.



- 4 Place new marks each time you move the quilt on the frame. As you grow more comfortable with the size of your machine and frame, you will memorize the boundaries and no longer need to apply marks.
- 5 When you've finished quilting an area and it's time to move to a new section, keep about **2 inches** of your stitched pattern showing so that you can sew into it without gaps.

Tip: If your quilt has a large fabric roll at the front, you can pull the roll forward so it doesn't block your view.



Tabletop Fabric Frame

Moving your Fabric (Continued)

- 6 To change your bobbin, move your machine over to the side of the frame and remove one of the fabric clips from the front and back rail, and side rail if it's being used.



- 7 Carefully pull the edge of your quilt aside to access your sewing machine's bobbin case.



Note: Bobbin case location will vary by machine model.

Step 16 - Getting Started

Parts & Tools Needed:



Scissors (not included)

Instructions

With the frame assembled and the fabric attached, you are ready to begin quilting. Practice on spare fabric to become familiar with the machine's settings and movements so you can start your projects with confidence. It is normal to make mistakes, so don't get discouraged if your stitches don't look perfect right away. Follow the steps in this section to get started and you'll be quilting in no time!

- 1 **Relax!** Take a deep breath and don't be afraid to take it slow.

Make sure that the following items have been completed:

- Your machine is in quilting mode (if available).
- You have the right hopping foot.
- Your feed dogs are lowered.
- Your machine is threaded and tensioned.
- Your practice fabric is attached.



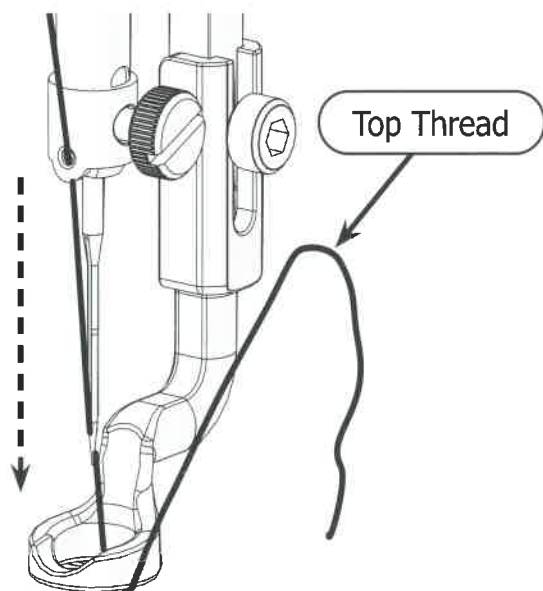
- 2 Before you begin stitching, pull up your bobbin thread to prevent the thread tail from dangling underneath the fabric as you quilt and getting sewn in place.

- a First, position the needle directly above where you want to begin your pattern.

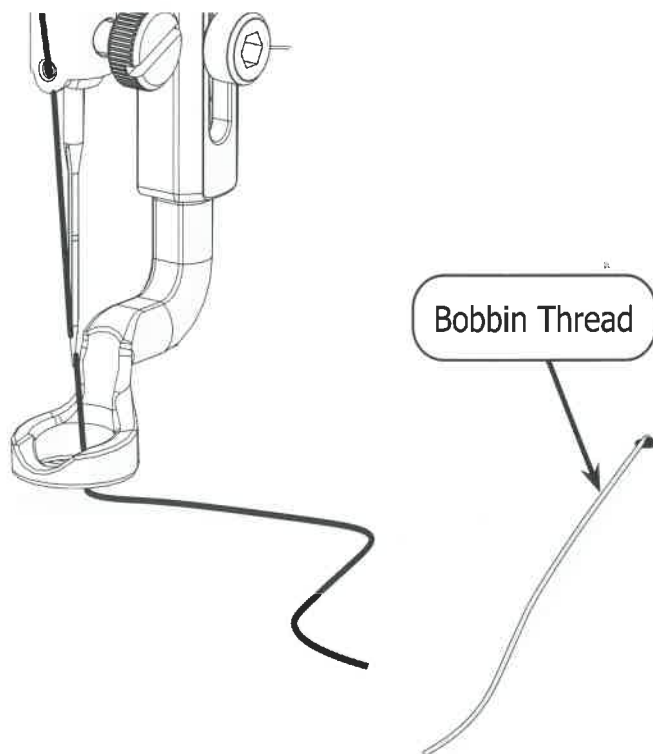
Tabletop Fabric Frame

Getting Started (Continued)

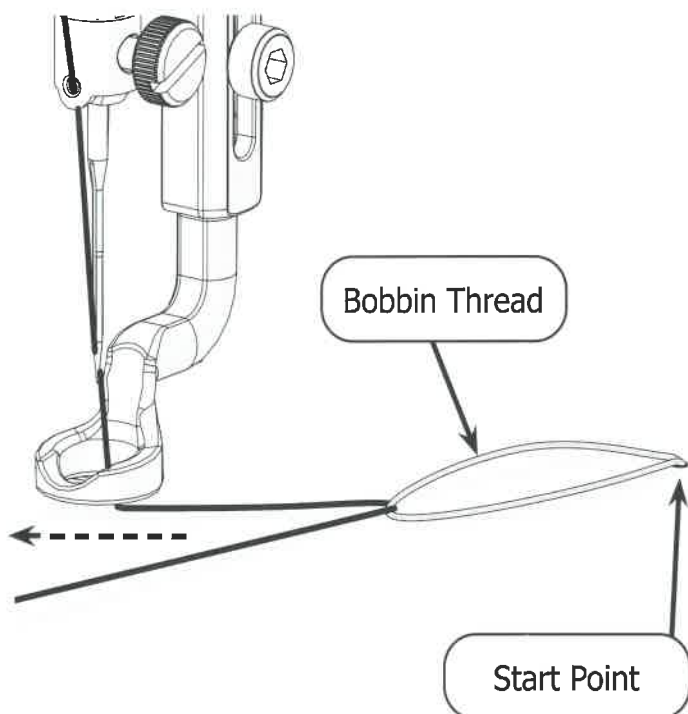
- (b) Pull on the **top thread** so that it is tight and jog the needle up and down. This may be done with the handwheel or the up/down button, depending on your machine.



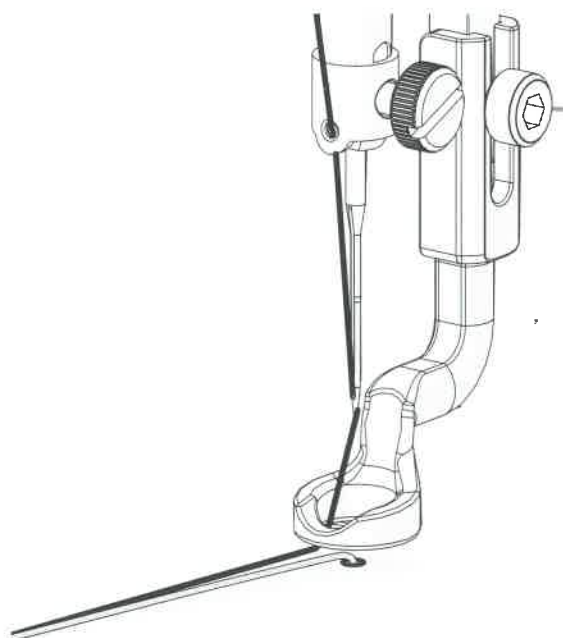
- (d) Use your finger to pull on the loop of **bobbin thread** until the loose end of the thread comes up from underneath the fabric.



- (c) While still tightly holding the top thread, move the machine several inches to the side. Your top thread should pull a loop of **bobbin thread** through the **start point** in the top of the fabric.

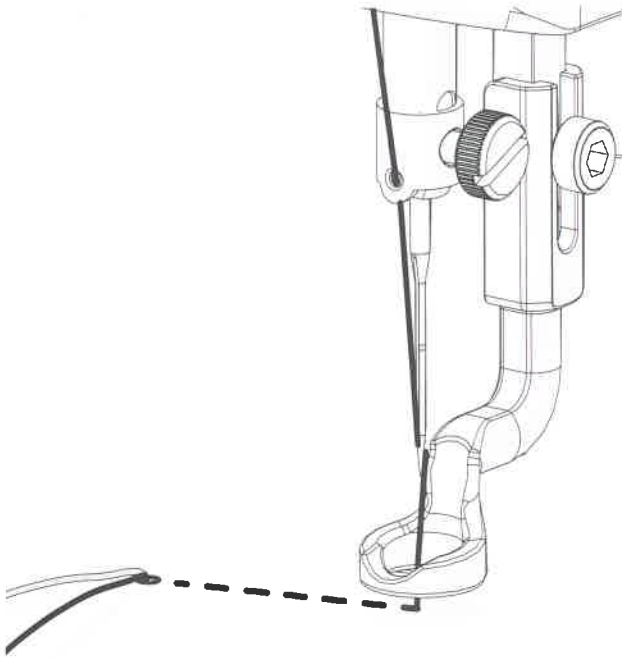


- (e) Pull on the bobbin thread while moving the machine back to the start point. This makes sure that there is no loose thread underneath the fabric.

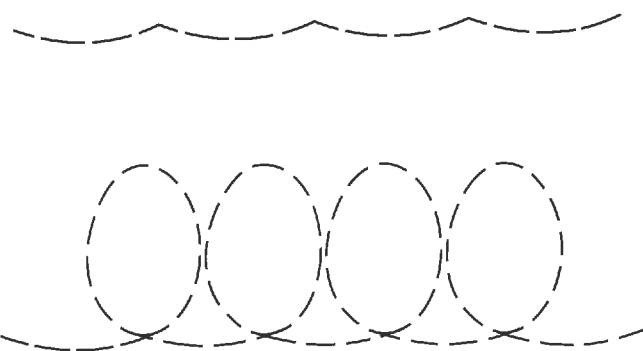


Getting Started (Continued)

- 3 Begin stitching. Be sure to start your pattern as close as possible to where you pulled out the bobbin thread.



- 4 Practice stitching by drawing a simple pattern or writing your name on the fabric and then tracing it.



Grace

- 5 Complete the pattern by making a tie-off stitch. Use the up/down button or the machine handwheel to lower and raise your needle a few times. Move your machine slightly for each stitch, but keep them as close together as possible.

- 6 You may now cut the thread tails from the beginning of the pattern. Cut your thread at the tie-off, and move on to your next pattern.

- 7 Practice! Keep trying different stitches until you feel comfortable with how your machine feels and moves. You can always attach a new piece of practice fabric if you need to.

Congratulations! Now that you have practiced and gotten used to the frame and machine, you are ready to begin your quilting journey. If you are using a Q'nique quilting machine, continue to Part Three of your machine instruction manual for more detailed information on specific stitching modes that you can use to create your projects.

The Grace Company
Phone: 1-800-264-0644
www.graceframe.com

