

Wombat Assembly Instructions



*Accessories not included

Wombat Embroidery Cabinet

Congratulations on the purchase of your new Wombat Embroidery Cabinet. Every effort has been taken to ensure your complete satisfaction with this custom designed product. For your convenience the Wombat Embroidery Cabinet is supplied in four ready to assemble packs

Helpful Assembly Hints

Read the instructions carefully before starting. Check to see that all the parts are included. Work in a spacious area preferably on a carpet or soft surface. You will need a phillips head and flat head screw driver for the assembly. A cordless drill is preferable. Ensure the phillips head screwdriver fits neatly and fully engages the screw head. Failure to do this may result in screw damage. Make sure you tighten all the screws securely and tap dowels all the way in.

Warranty Information

G-day mate! We warranty our product for 1 year from date of shipment for manufacturer's defects or shipping damage within the first 15 days. The warranty does not cover damage caused by abuse, mis-use, alteration, accident, or neglect of the product. The warranty does not cover damage caused by moving the cabinet fully loaded. Under the terms of this warranty the repair and replacement of any parts shall be at the discretion of the company or their designated representative.

Replacement Part Shipping Policy

To help protect our valuable resources, we ship all replacement parts out at the same time. This procedure lessens the use of packaging materials and fossil fuels used in transportation keeping our world for all kangaroos and the people like you a cleaner place. Please help us in this endeavor by reviewing all parts in all boxes for damage before calling or e-mailing us to report damage. We adhere to our environmental philosophy by only shipping replacement parts out 1 time for free. Future parts requests will be billed at the customer's expense.

Cabinet Care

Your Wombat Embroidery Cabinet normally requires a minimum amount of maintenance, however the following points are worth noting:







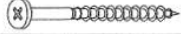
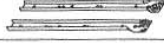









CLEANING - To remove marks and enhance the surface, wipe over with a general purpose cleaner.



CAUTION - Do not use ammonia based cleaning agents. Do not use harsh chemicals or abrasive cleaners. The surface can be wiped with a damp cloth but should be dried quickly.

If you have missing or damaged parts please call Kangaroo Cabinets at 1-800-533-7347
or email us at: cs@kangarookabinets.com

Also visit our website: www.kangarookabinets.com

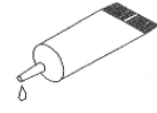
Wombat Embroidery Cabinet Assembly Instructions

COMPONENTS	DESCRIPTION	QTY
	Cam Bolt 24mm	24
	Cam Ø15x12mm	24
	Dowel Ø8 x 30mm	64
A 	Screw Ø3.4x15mm CS ZP	48
D 	Screw Ø3.5x18mm CS ZP	4
F 	Screw Ø4 x 16mm C/S	30
	Screw Ø5 x 57mm	20
	Drawer Runner 450mm	1 set
	Flap Hinge	4
	Butt Hinge	4
	Castor Spanner	1
	Drawer Runner 500mm	4 sets
	Bow Handle + Screw	4
	Glue Bottle	3
	Castor Ø80mm Nuts & Bolts	4 sets
	Castor Ø50mm with Bracket and Screw	2 sets
	Cover Cap	4

COMPONENTS	DESCRIPTION	QTY
	Gate Leg Button	2
	Ramp	2

Wombat Embroidery Cabinet Assembly Instructions

Embroidery Cabinet panels and their descriptions

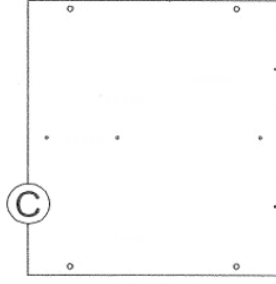


Before assembling place 2 to 3 drops of glue in each dowel hole.

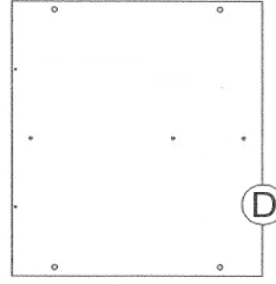
Do Not place glue in Cam or Cam Bolt holes.



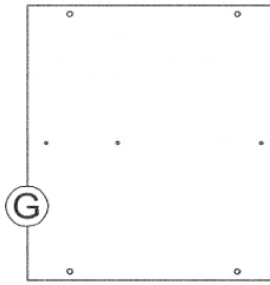
Back



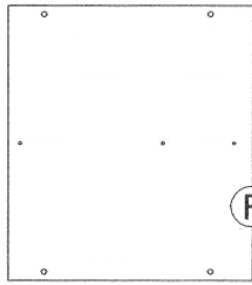
L/H End



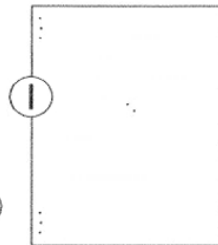
R/H End



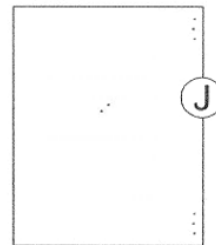
R/H Division



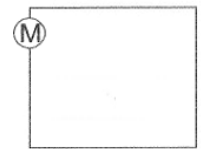
L/H Division



R/H Flap



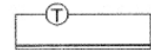
L/H Flap



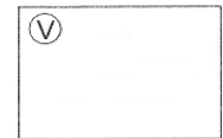
Sliding Shelf



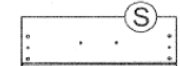
Shelf



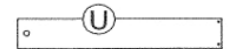
Small Drawer Back



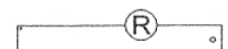
Drawer Bottom



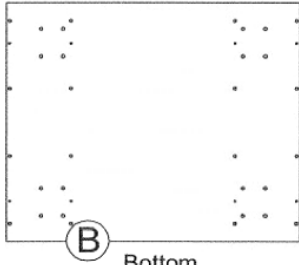
Small Drawer Front



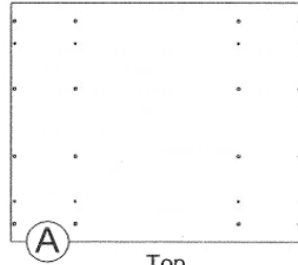
Small Drawer Side L/H



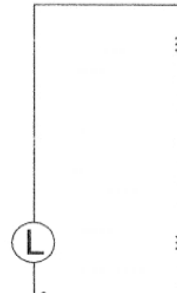
Small Drawer Side R/H



Bottom



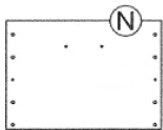
Top



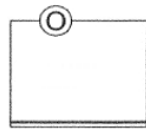
L/H Gate Leg



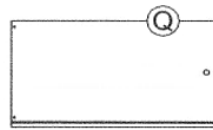
R/H Gate Leg



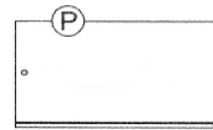
Large Drawer Front



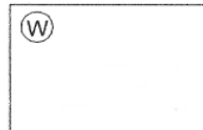
Large Drawer Back



Large Drawer Side R/H



Large Drawer Side L/H

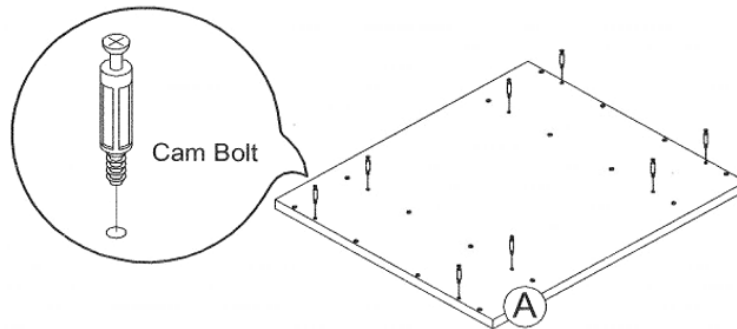


Large Drawer Bottom

1. Top Pre-Assembly








Cam Bolt 24mm (x8)



Assembly Steps

1. Screw the Cam Bolts into the Top Panel as shown.

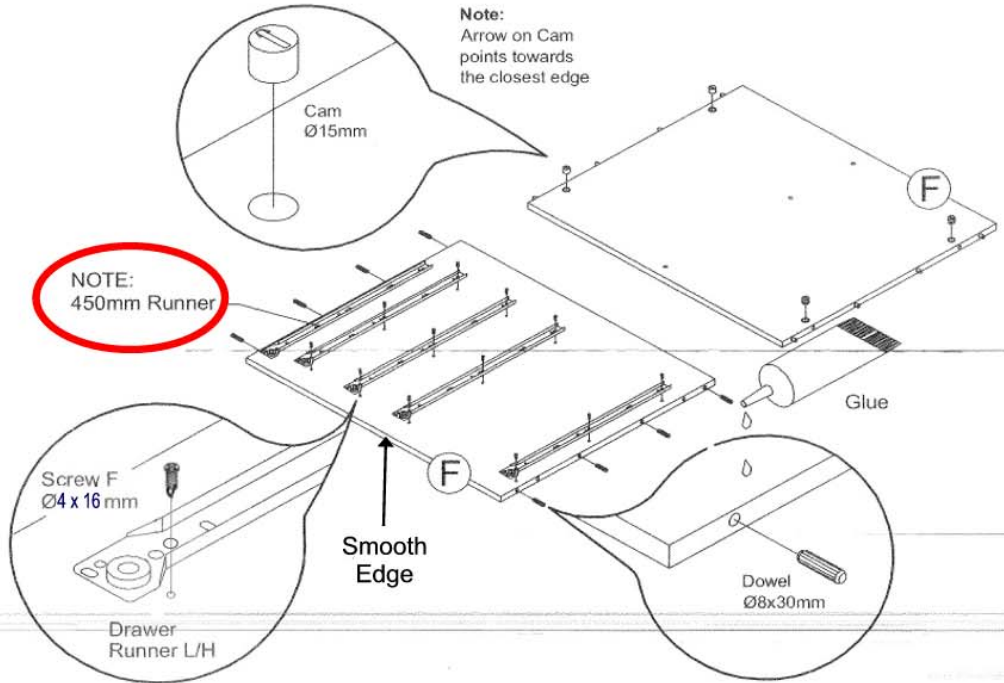
2. Left Hand Division Pre-Assembly

-  Dowel Ø8x30mm (x8)
-  Cam Ø15x12mm (x4)
-  L/H Drawer Runner 450mm
-  L/H Drawer Runner 500mm (x4)
-  Screw F Ø4 x 16mm (x15)

Assembly Steps

1. Place 2 to 3 drops of Glue in the Dowel holes in the Left Hand Division & insert Dowels.
2. Press fit Cams into the Division. Ensure the arrow on the Cam points to the closest edge.
3. Position and secure the L/H Runners using Screw F Ø4 x 16mm
NOTE: 450mm to top

Note: Do not put glue in Cam Bolt holes.



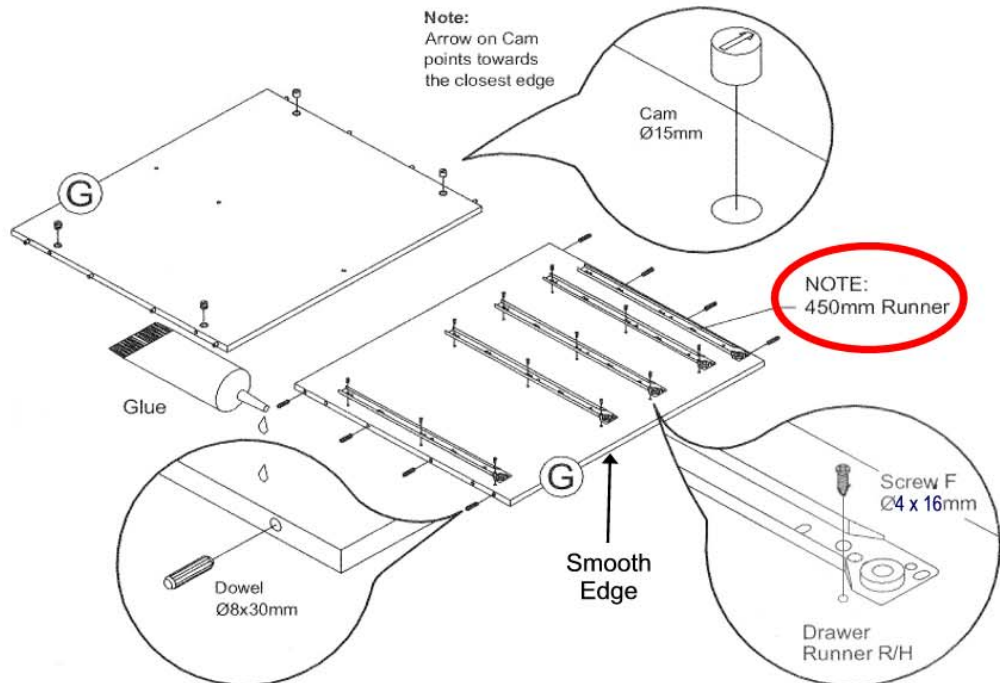
3. Right Hand Division Pre-Assembly

-  Dowel Ø8x30mm (x8)
-  Cam Ø15x12mm (x4)
-  R/H Drawer Runner 450mm
-  R/H Drawer Runner 500mm (x4)
-  Screw F Ø4 x 16mm (x15)

Assembly Steps

1. Place 2 to 3 drops of Glue in the Dowel holes in the Right Hand Division & insert Dowels.
2. Press fit Cams into the Division. Ensure the arrow on the Cam points to the closest edge.
3. Position and secure the R/H Runners using Screw F Ø4 x 16mm
NOTE: 450mm to top

Note: Do not put glue in Cam Bolt holes.



4. Left Hand End Pre-Assembly

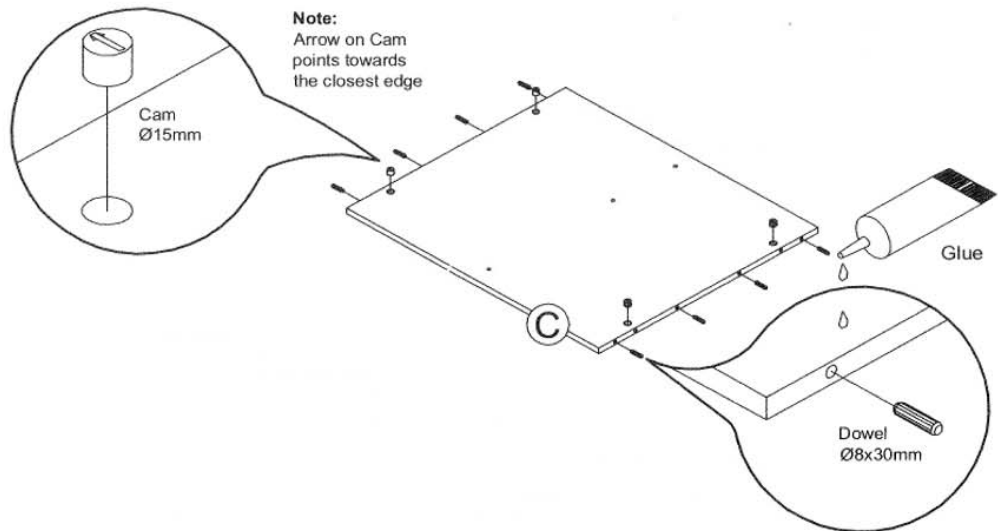

Dowel Ø8x30mm (x8)


Cam Ø15x12mm (x4)

Assembly Steps

1. Place 2 to 3 drops of Glue in the dowel holes in the Left Hand End & insert Dowels.
2. Press fit Cams into the End. Ensure the arrow on the Cam points to the closest edge.

Note: Do not put glue in Cam Bolt holes.



5. Right Hand End Pre-Assembly

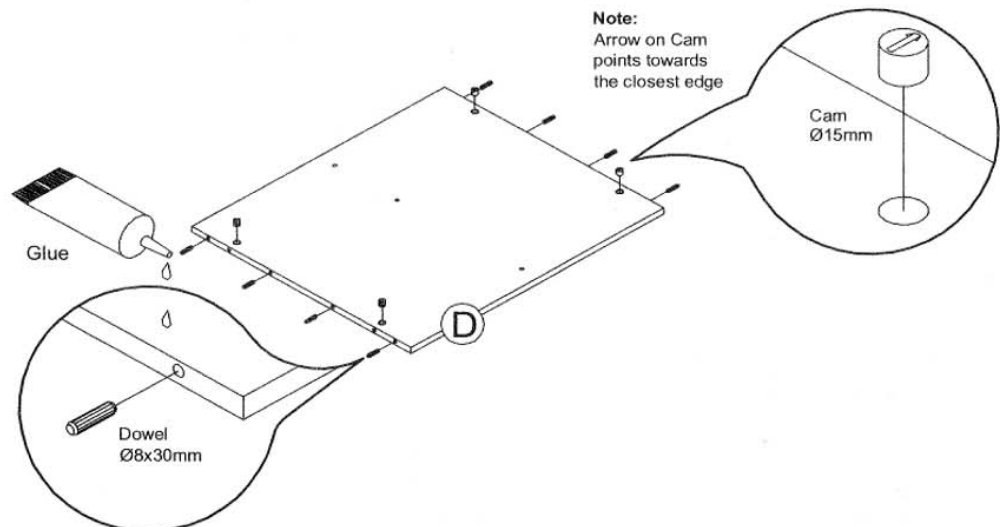

Dowel Ø8x30mm (x8)


Cam Ø15x12mm (x4)

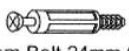
Assembly Steps

1. Place 2 to 3 drops of Glue in the dowel holes in the Right Hand End & insert Dowels.
2. Press fit Cams into the End. Ensure the arrow on the Cam points to the closest edge.

Note: Do not put glue in Cam Bolt holes.

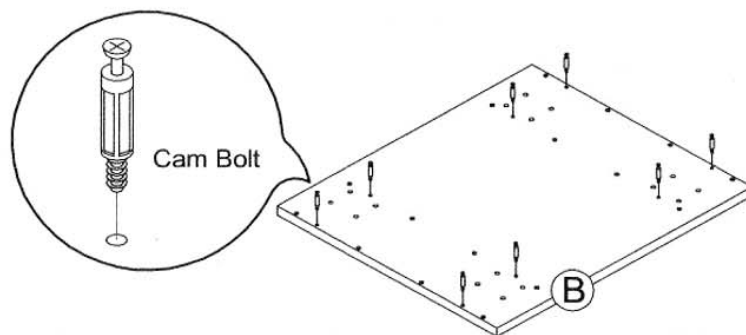


6. Bottom Pre-Assembly


Cam Bolt 24mm (x8)

Assembly Steps

1. Screw the Cam Bolts into the Bottom Panel as shown.



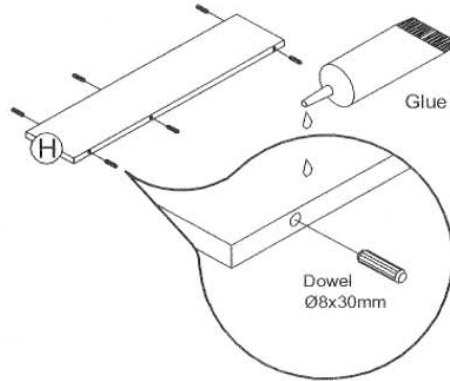


Dowel Ø8x30mm (x12)

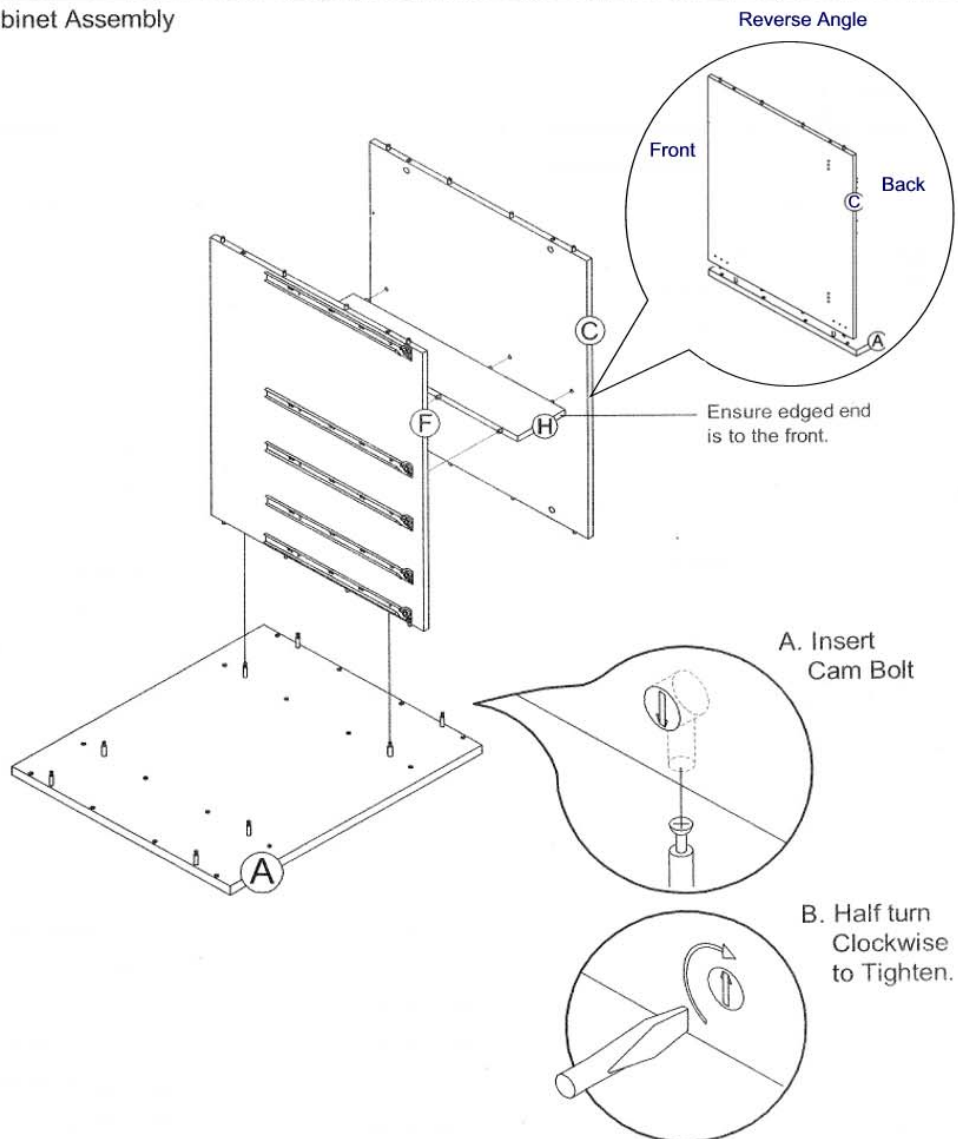
Assembly Steps

1. Place 2 to 3 drops of Glue in the dowel holes in the Shelf and insert Dowels.

7. Shelf Pre-Assembly (x2)



8. Cabinet Assembly

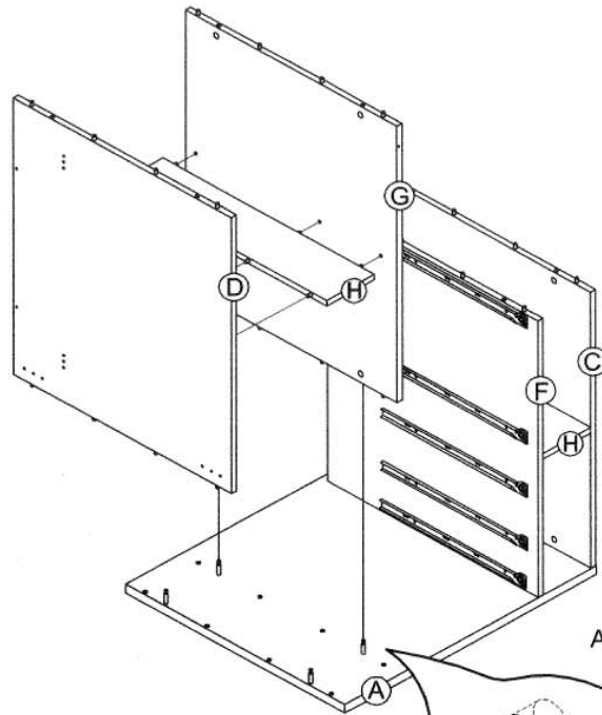


Assembly Steps

1. Place 2 to 3 drops of Glue in the dowel holes in the L/H End and L/H Division.
2. Position the Shelf and insert into the L/H End and L/H Division.
3. Place 2 to 3 drops of Glue in the dowel holes in the Top.
4. Position the Cam holes in the L/H End and L/H Division over the Cam Bolts in the Top and insert. Secure by turning the Cam a half turn clockwise.

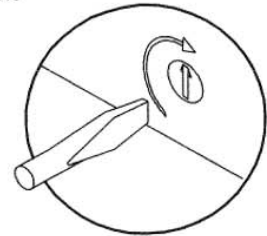
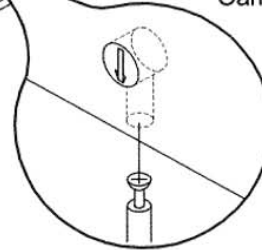
Note: Do not put glue in Cam Bolt holes.

9. Cabinet Assembly



A. Insert
Cam Bolt

B. Half turn
Clockwise
to Tighten.

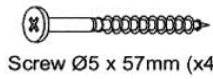


Assembly Steps

1. Place 2 to 3 drops of Glue in the dowel holes in the R/H End and R/H Division.
2. Position the Shelf and insert into the R/H End and R/H Division.
3. Place 2 to 3 drops of Glue in the dowel holes in the Top.
4. Position the Cam holes in the R/H End and R/H Division over the Cam Bolts in the Top and insert. Secure by turning the Cam a half turn clockwise.

Note: Do not put glue in Cam Bolt holes.

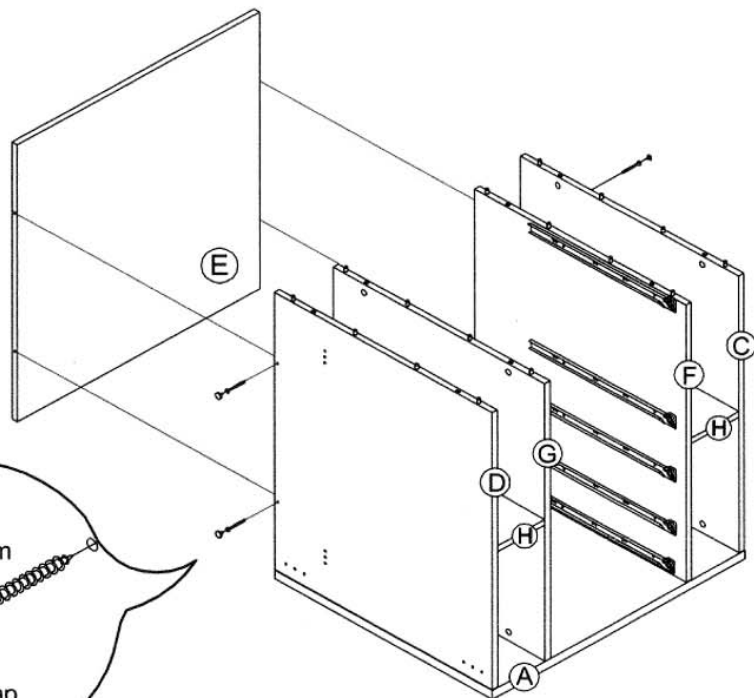
10. Cabinet Assembly



Screw $\text{\O}5 \times 57\text{mm}$ (x4)



Cover Cap (x4)



Screw
 $\text{\O}5 \times 57\text{mm}$

Cover Cap

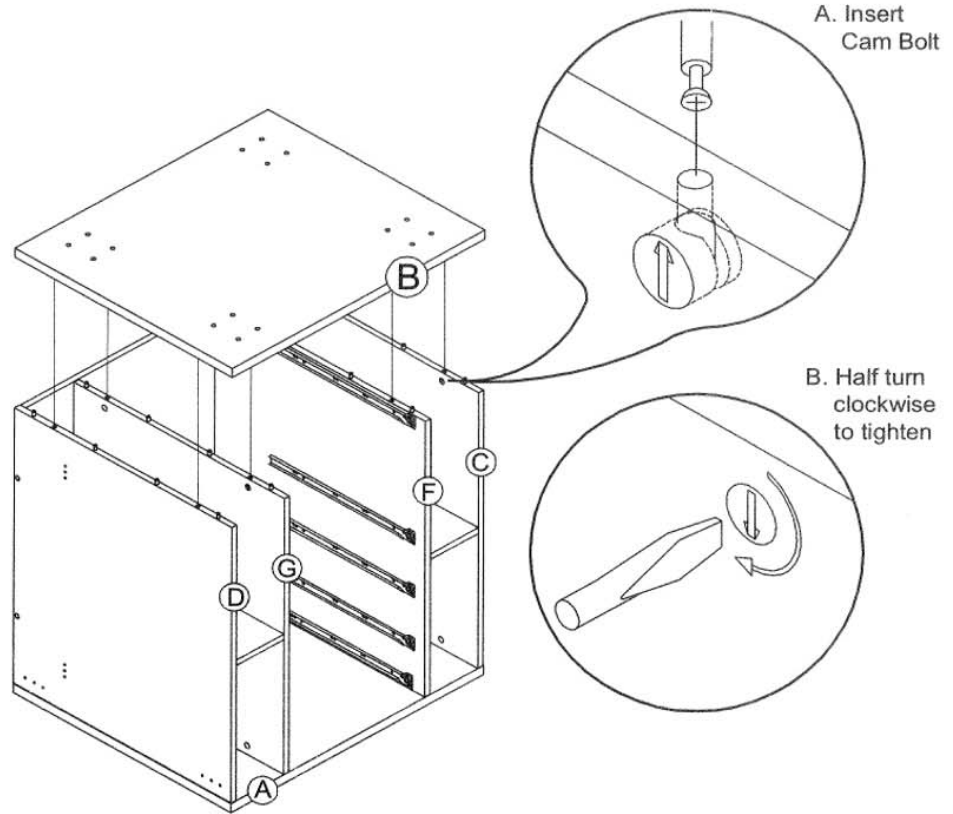
Assembly Steps

1. Locate the Back between the L/H and R/H Ends and secure using Screws $\text{\O}5 \times 57\text{mm}$ C/S.
2. Push in Cover Caps

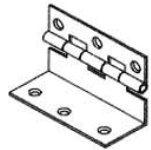
11. Cabinet Assembly

Assembly Steps

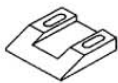
1. Place 2 to 3 drops of Glue in the dowel holes in the Bottom panel.
2. Position the Cam Bolts in the Bottom over the Cam holes in L/H & R/H Ends and L/H & R/H Divisions and insert. Secure by turning the Cams a half-turn clockwise.



12. L/H & R/H Flap Pre-Assembly



Flap Hinge (x4)



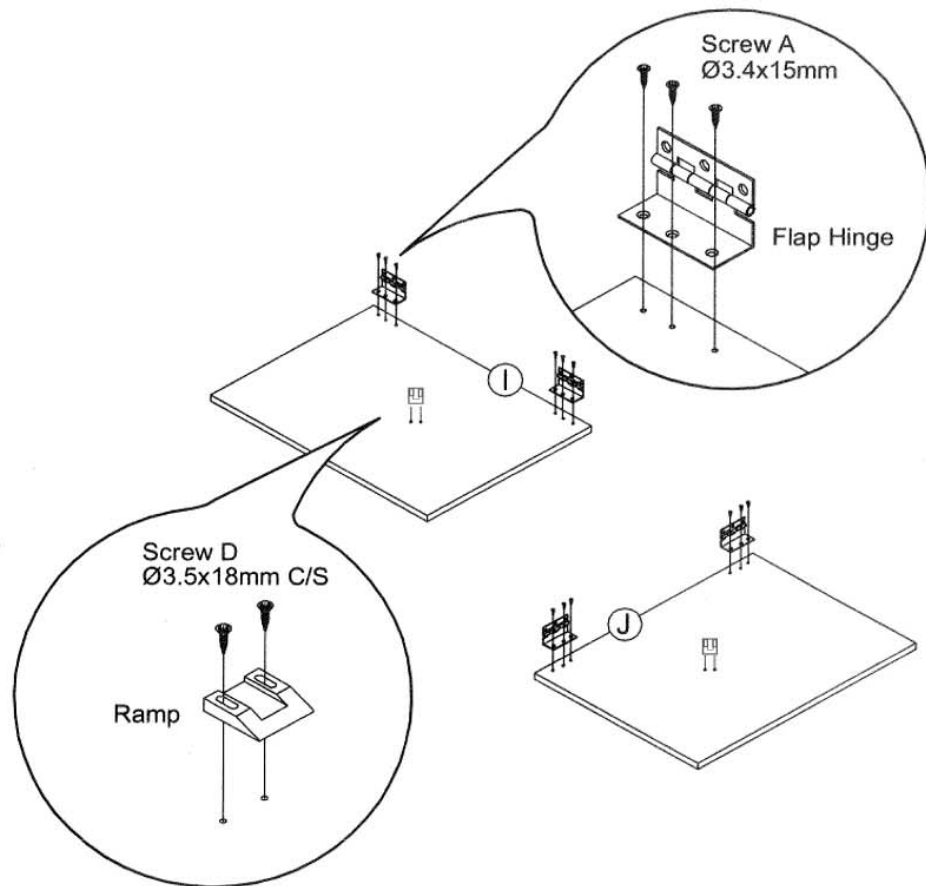
Ramp (x2)



Screw D $\text{\O}3.5 \times 18\text{mm}$ (x4)



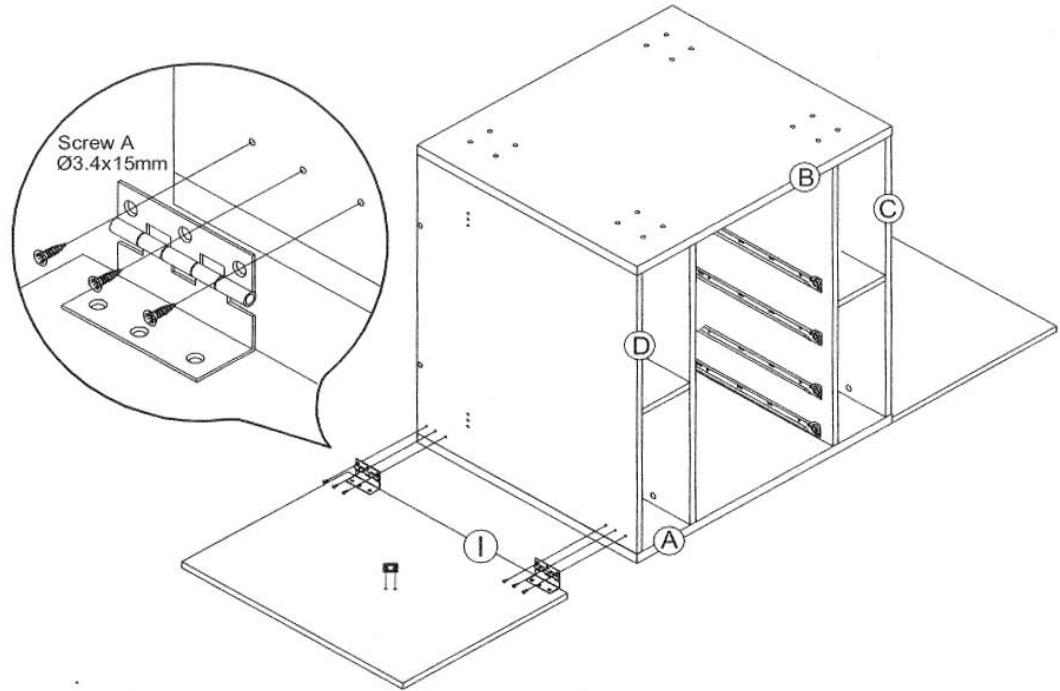
Screw A $\text{\O}3.4 \times 15\text{mm}$ (x12)



Assembly Steps

1. Screw on Flap Hinge using Screw A $\text{\O}3.4 \times 15\text{mm}$ C/S
2. Screw on Ramp using Screw D $\text{\O}3.5 \times 18\text{mm}$ C/S
3. Repeat for L/H & R/H Flaps

13. Flap Assembly



Screw A Ø3.4x15mm (x12)

Assembly Steps

1. Fix the L/H and R/H Flaps to the cabinet using Screw A Ø3.4x15mm C/S

14. Gate Leg Pre-Assembly



Gate Leg Button (x2)



Butt Hinge 50mm (x4)



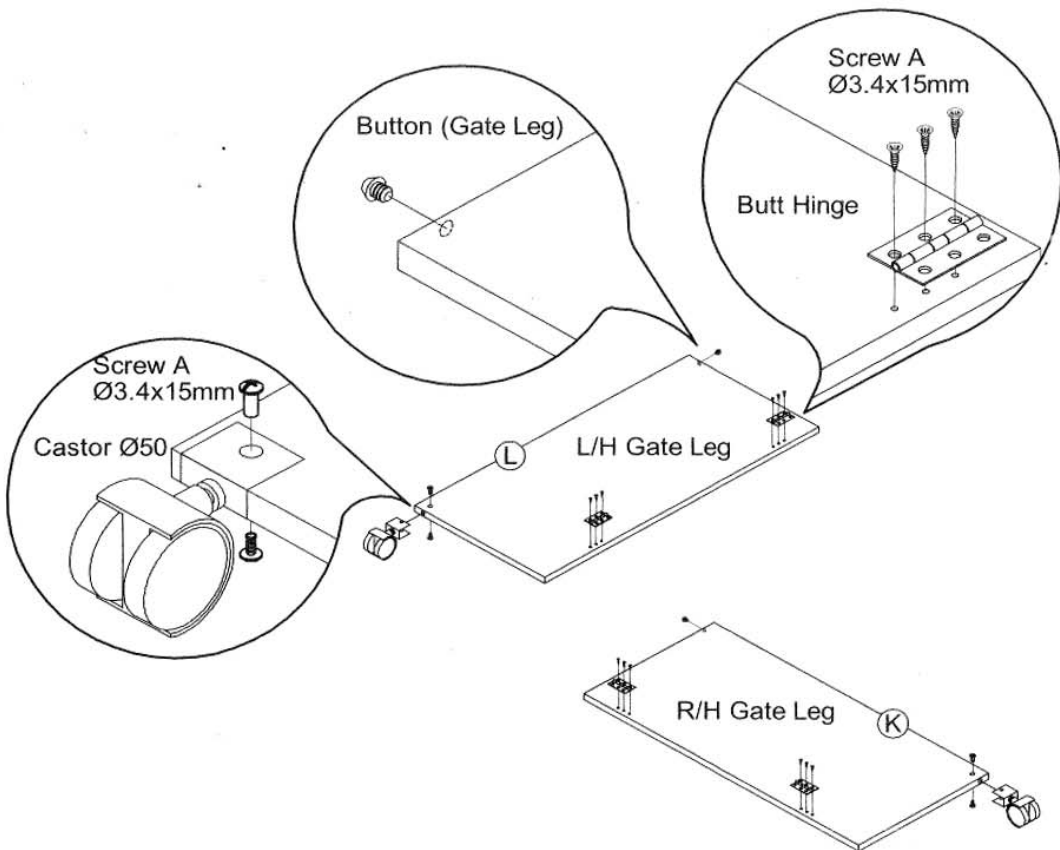
Castor Ø50mm (x2)



Castor Screw Set (x2)



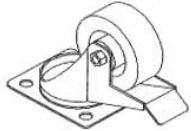
Screw A Ø3.4 x 15mm (x12)



Assembly Steps

1. Tap in Gate Leg Button
2. Screw the Butt Hinges onto the Gate Leg using Screw A Ø3.4 x 15mm
3. Locate and fit the Castor onto the Gate Leg and secure using Castor Screw Set.
4. Repeat for both L/H & R/H Gate Legs.

15. Gate Leg Assembly



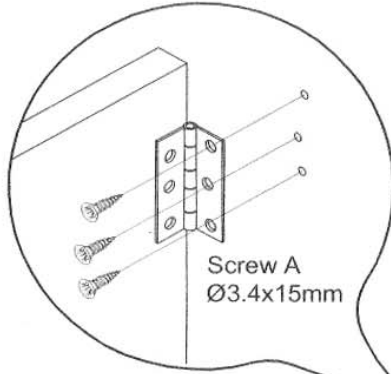
Castor Ø80mm (x4)



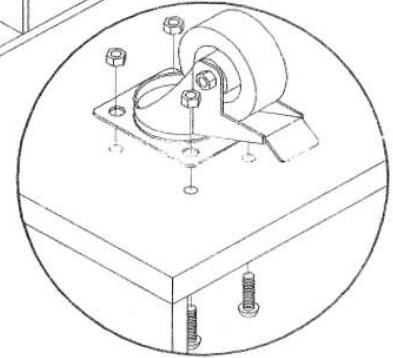
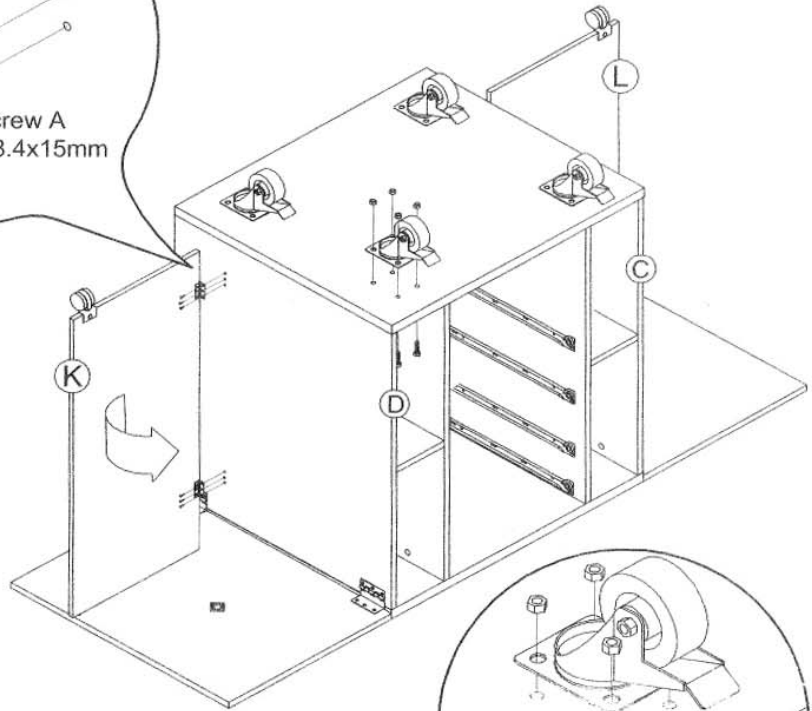
Castor Nut & Bolt (x16)



Screw A Ø3.4x15mm (x12)



Screw A
Ø3.4x15mm



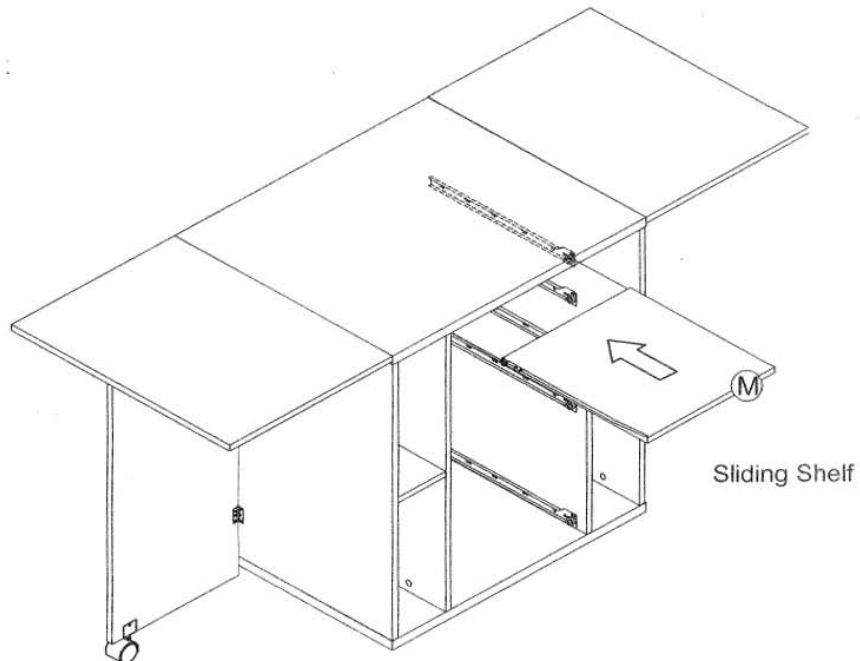
Assembly Steps

1. Locate and fix the Gate Legs to each side of the Cabinet using Screw A Ø3.4x15mm
2. Swing the Gate Legs up against each side.
3. Fit Castors Ø80 to the Bottom using Nuts & Bolts. **You will need to screw the Bolt through the Bottom panel before securing Nut.**
4. Roll Cabinet back over onto Castors Carefully

Note: It will require 2 people to lift and rotate Cabinet safely.

Note: You will require a Spanner and phillips head screwdriver to assemble castor to table.

16. Fitting Sliding Shelf



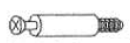


Sliding Shelf

Assembly Steps

1. Slide the Shelf into the Top set of runners.

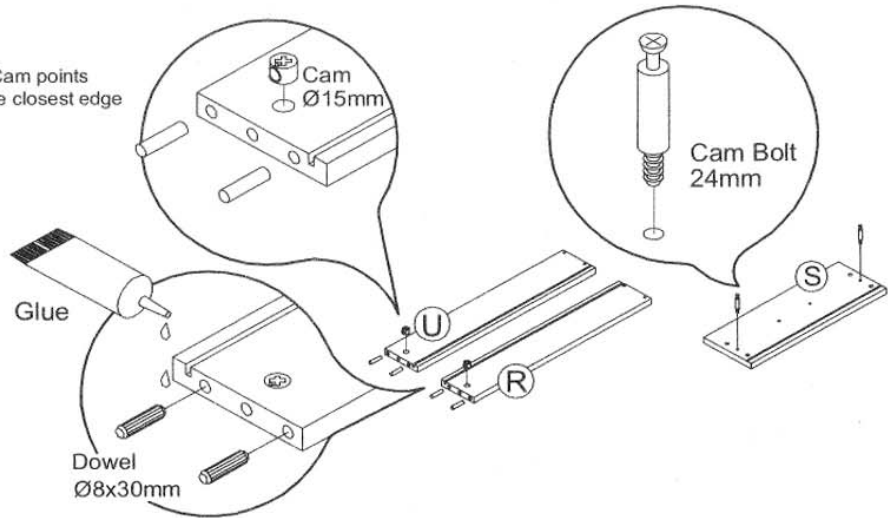
17. Small Drawer Assembly (x3)

-  Cam Ø15x12mm (x6)
-  Dowel Ø8x30mm (x12)
-  Cam Bolt 24mm (x6)



Assembly Steps

1. Place 2 to 3 drops of glue in each dowel hole in the Drawer Sides & insert Dowels.
2. Screw the Cam Bolts into the Drawer Front as shown.
3. Insert Cams into the Drawer Sides ensuring the arrow points to the front edge.

Note:
Arrow on Cam points towards the closest edge

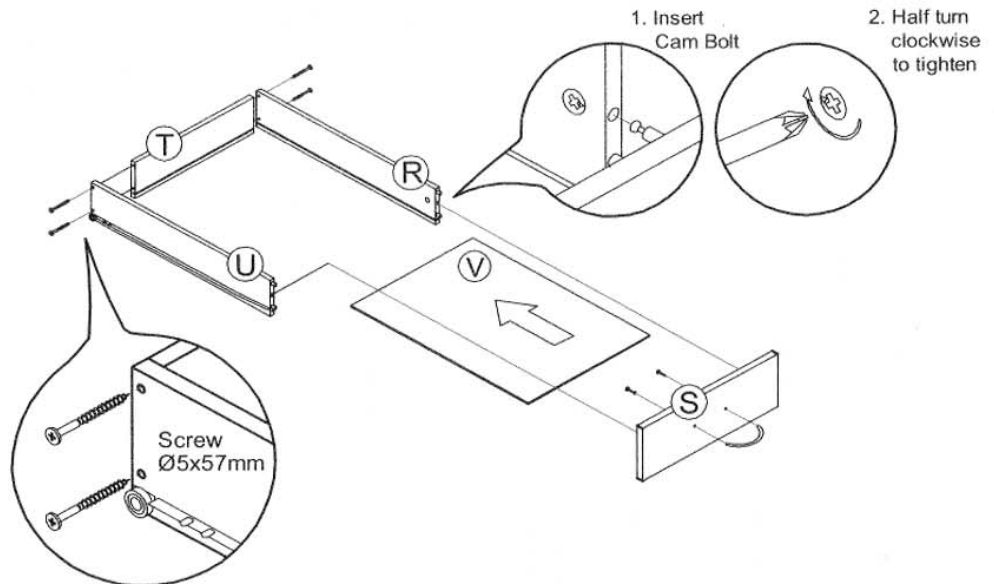


18. Small Drawer Assembly (x3)

-  Bow Handle (x3)
-  Handle Screw (x6)
-  Screw Ø5x57mm (x12)

Assembly Steps

1. Secure the L/H and R/H Drawer Sides to the Drawer Back using Screw Ø5x57mm
2. Slide the Drawer Bottom into the Drawer Side grooves.
3. Locate the Drawer Front and secure by turning the Cam a half turn clockwise.
4. Fit the Drawer Handle



19. Large Drawer Assembly

 Cam Ø15x12mm (x2)

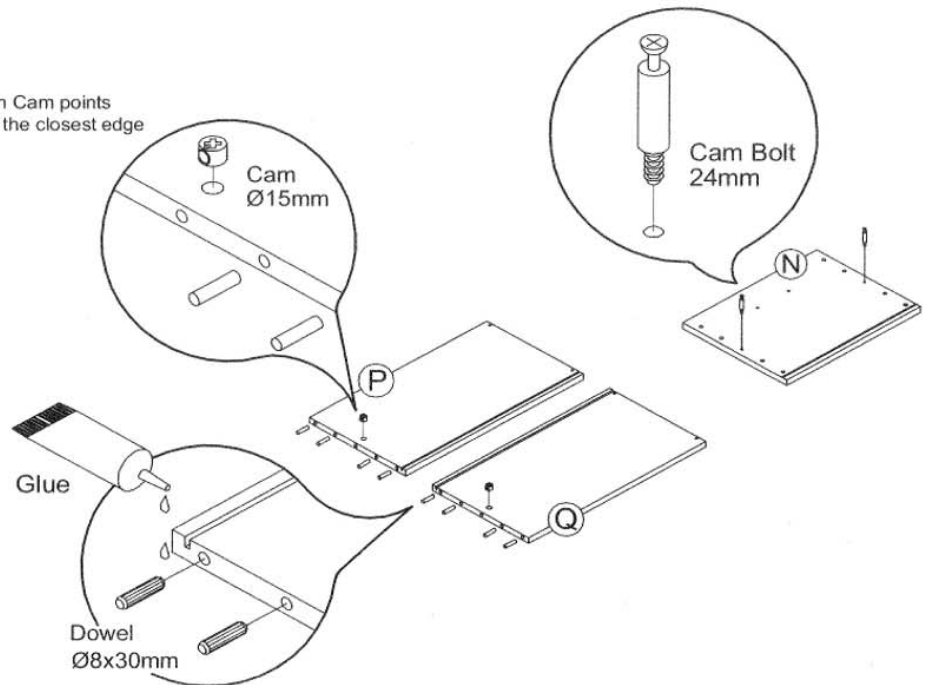
 Dowel Ø8x30mm (x8)

 Cam Bolt 24mm (x2)

Assembly Steps

1. Place 2 to 3 drops of glue in each dowel hole in the Drawer Sides & insert Dowels.
2. Screw the Cam Bolts into the Drawer Front as shown.
3. Insert Cams into the Drawer Sides ensuring the arrow points to the front edge.

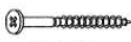
Note:
Arrow on Cam points
towards the closest edge



20. Large Drawer Assembly

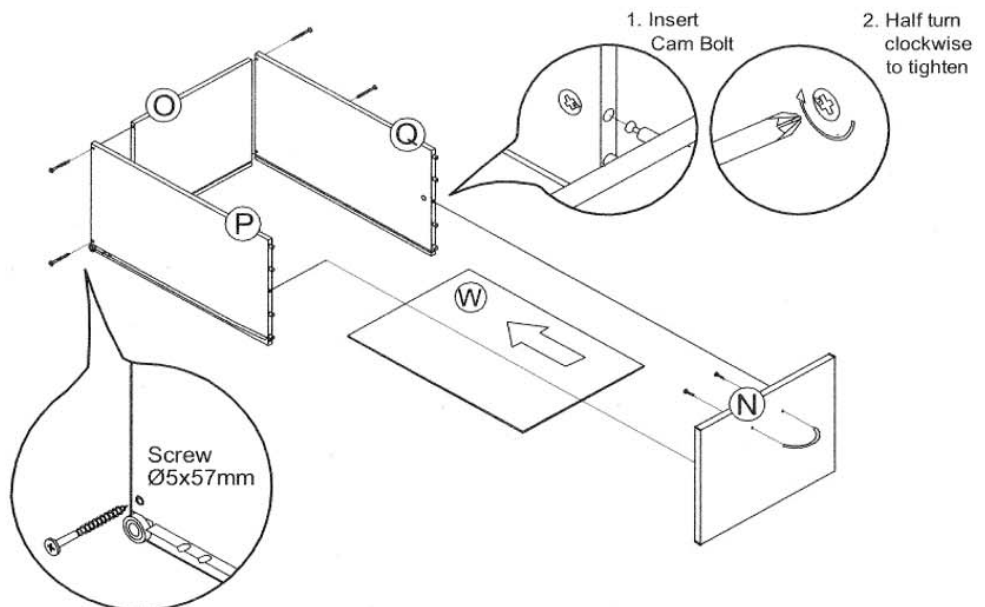
 Bow Handle

 Handle Screw (x2)

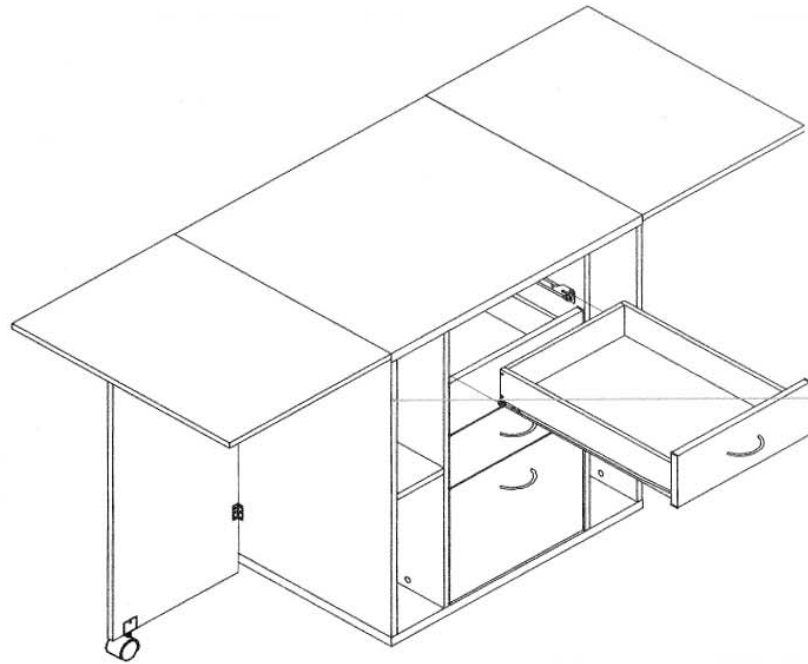
 Screw Ø5x57mm (x4)

Assembly Steps

1. Secure the L/H and R/H Drawer Sides to the Drawer Back using Screw Ø5x57mm
2. Slide the Drawer Bottom into the Drawer Side grooves.
3. Locate the Drawer Front and secure by turning the Cam a half turn clockwise.
4. Fit the Drawer Handle



21. Fitting Drawers



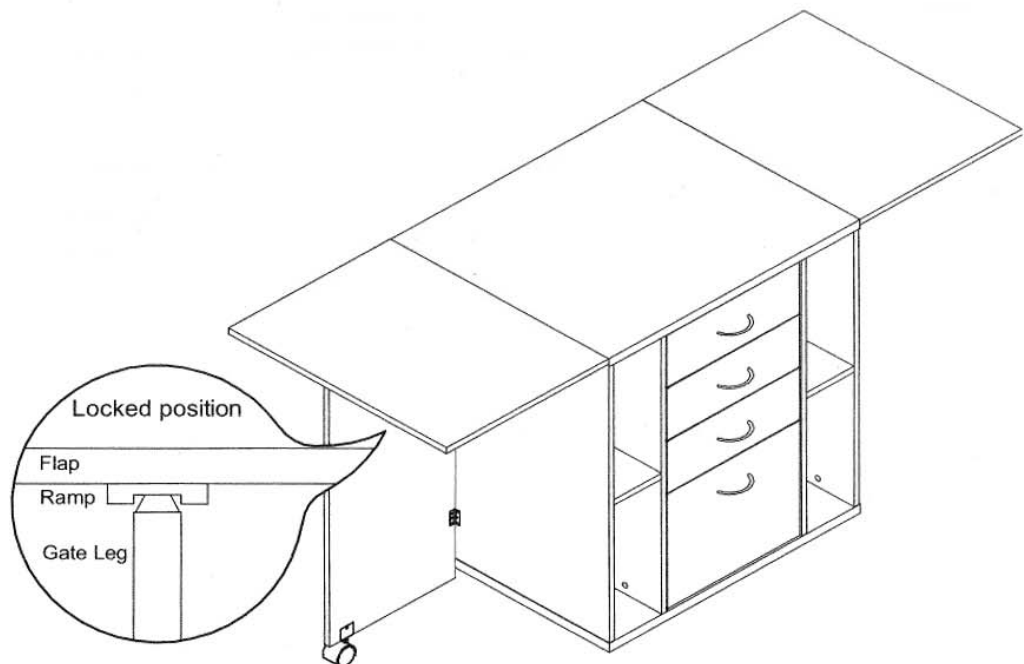
Assembly Steps

1. Insert Drawers onto the runners in the cabinet.

Note:

Large Drawer to the bottom and Small Drawers above.

22. Locking Gate Legs



Please Note:

When opening the Gate Leg (Flap Support) please make sure the top of the Gate Leg is locked into the "U" section on the underside of the Flap.