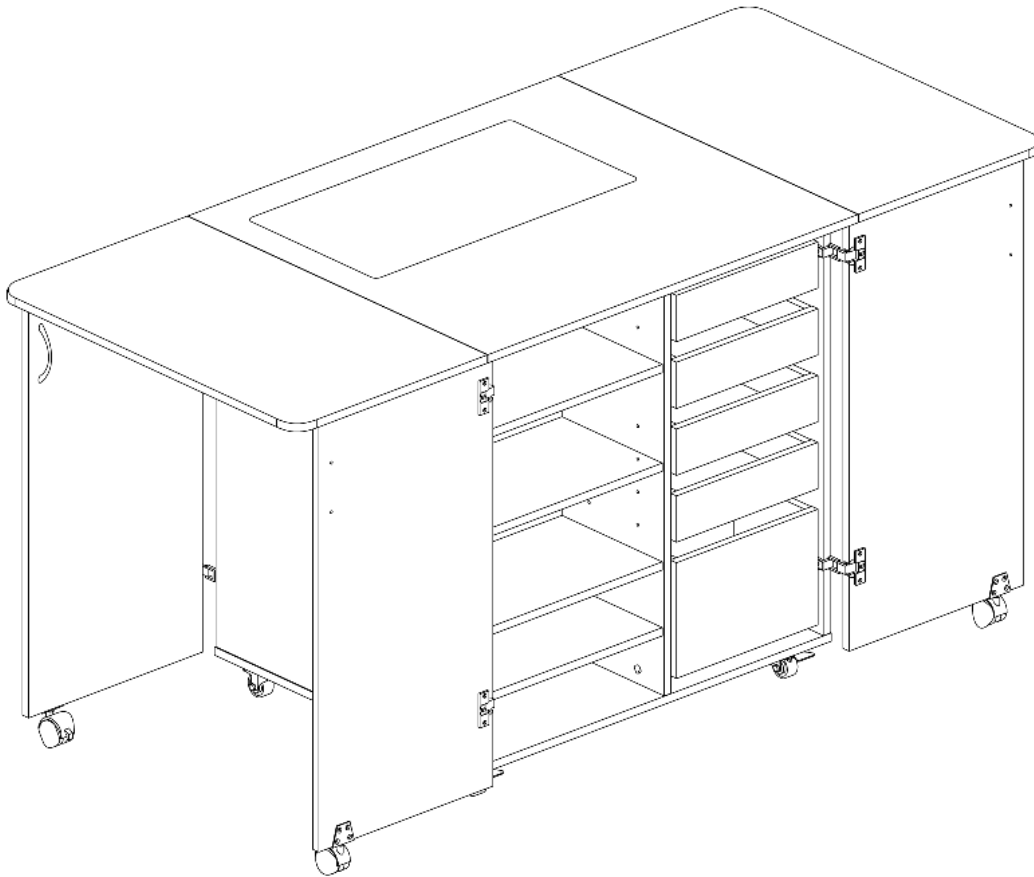


# ASSEMBLY INSTRUCTIONS

ITEM No.:K9411



Assembly video can be found on our website at [www.arrowcabinets.com](http://www.arrowcabinets.com) in the Video Section.  
Questions? Call 1-800-533-7347 press 1 or Email: [cs@arrowcabinets.com](mailto:cs@arrowcabinets.com)

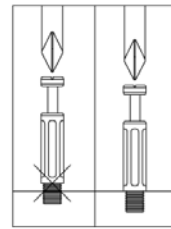


Turn clockwise to lock cam with bolt.

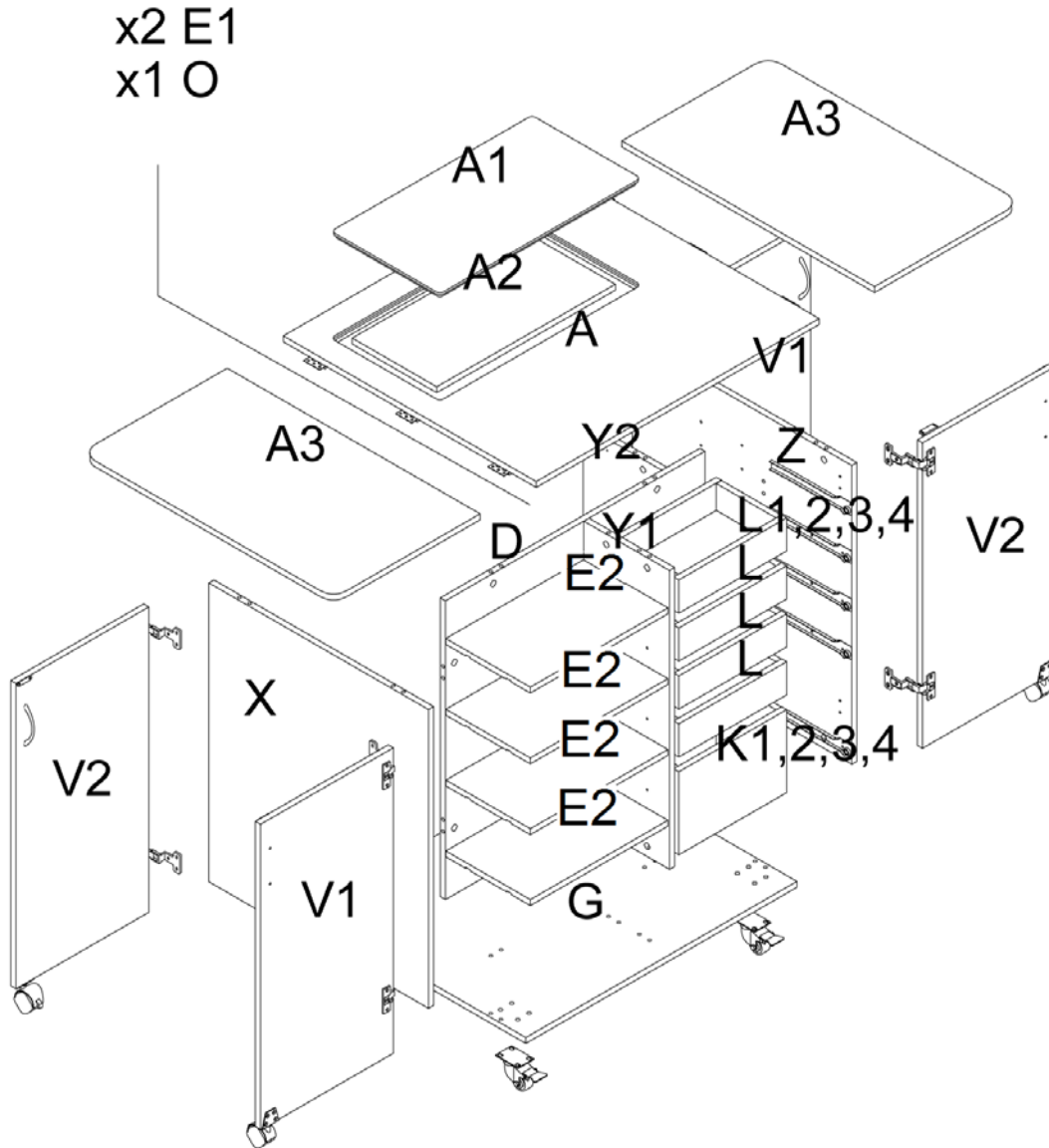


The arrow direction=front

Incorrect Correct





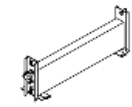

Screw cam bolts all the way in



# PARTS LIST

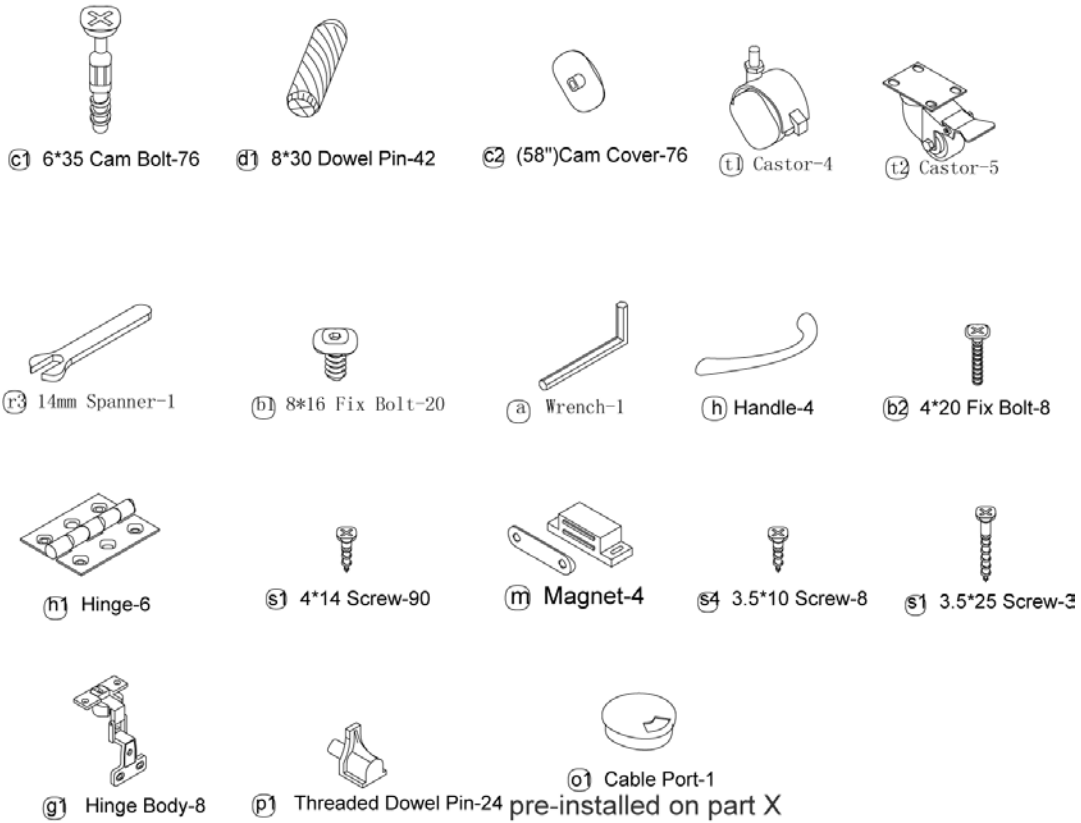
ITEM	DESCRIPTION	QTY.
A	Top panel	1
A1	Platform Cover	1
A2	Platform	1
A3	Right & Left Leaf Extensions	2
G	Bottom	1
X	Left Side Panel	1
Z	Right Side Panel	1
Y1	Left Partition	1
Y2	Right Partition	1
D	Center Panel	1
E1	Shelves (Small)	2
E2	Shelves (Large)	4
V1	Left Door	2
V2	Right Door	2
O	Insert Holder	1
L1	Drawer Front/Back	8
L2	Drawer Left Side	4
L3	Drawer Right Side	4
L4	Drawer Bottom	4
K1	Large Drawer Front/Back	2
K2	Large Drawer Left Side	1
K3	Large Drawer Right Side	1
K4	Large Drawer Bottom	1

## LIFTER PART LIST

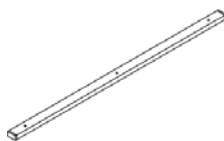
	Lifter Rail (Right)	1		Lifter Rail (Left)	1
	Lifter (692mm)	1		4*14 Screw	14

# PARTS LIST

ITEM	DESCRIPTION	QTY.	ITEM	DESCRIPTION	QTY.
c1	6*35 Cam Bolt	76	h1	Hinge	6
d1	8*30 Dowel pin	42	h	Handle	4
e2	(58") Cam Cover	76	b2	Fix Bolt	8
p1	Threaded Dowel Pin	24	b1	8*16 Fix Bolt	20
t1	Castor	4	s1	4*14 Screw	90
t2	Castor	5	g1	Hinge Body	8
r3	14mm Spanner	1	s2	3.5*25 Screw	3
s4	3.5*10 Screw	8	o1	Cable Port	1
m	Magnet	4			



Pre-installed parts



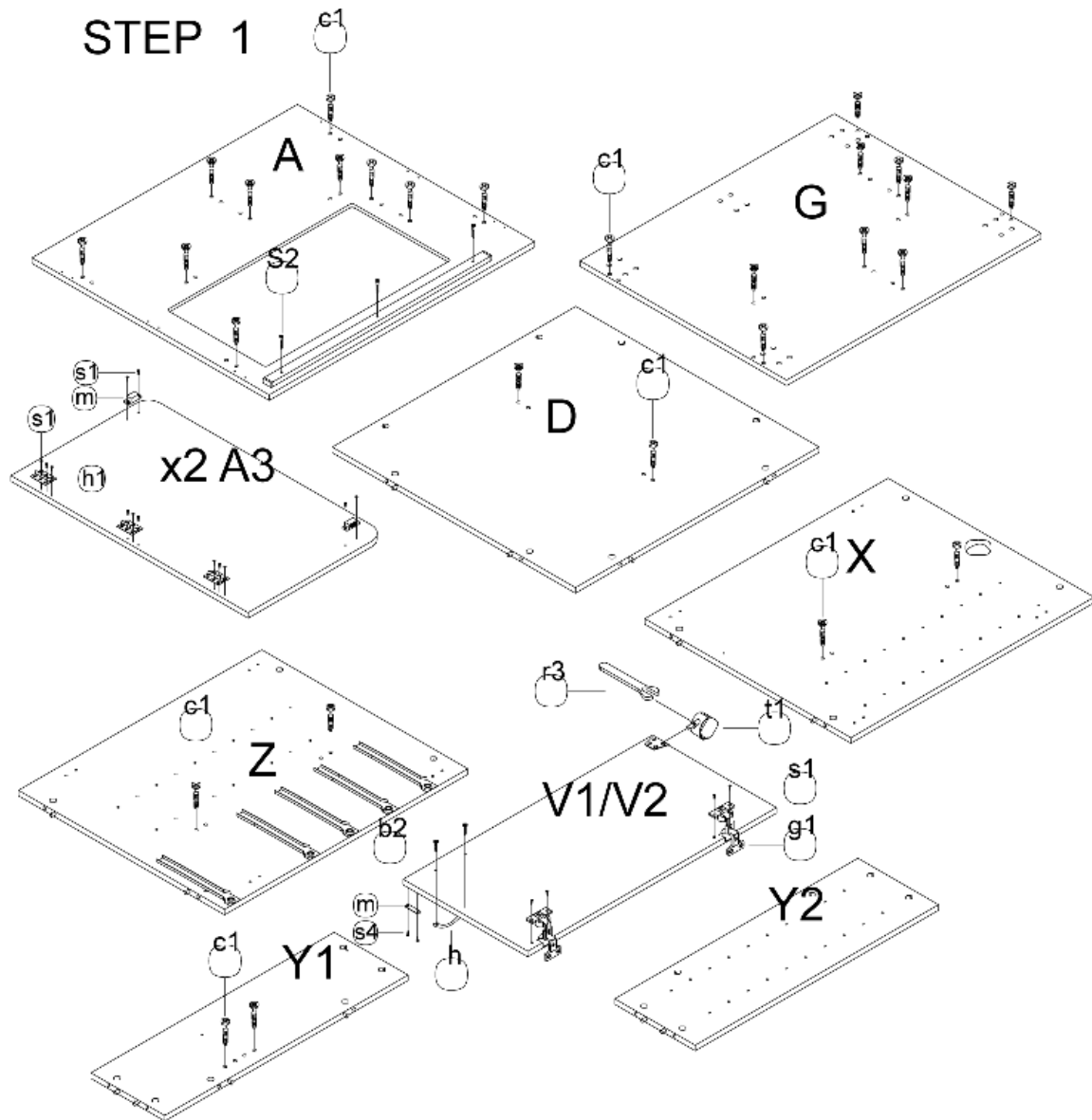
metal bar support

1



c5 Cam

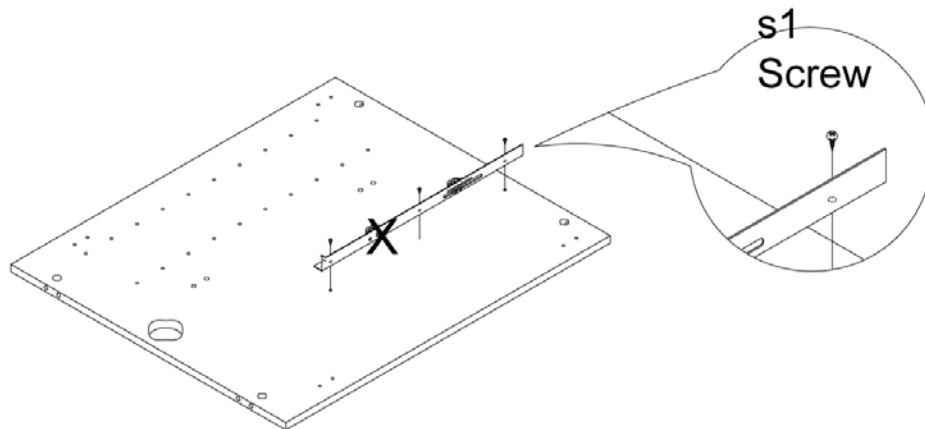
3



## Preparing panels A,A3, G, D, X, Z, Y1, Y2, V1 and V2

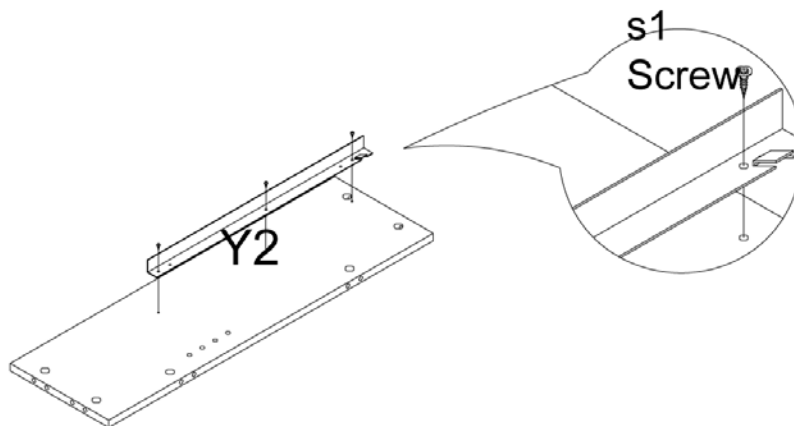
1. Insert cams bolts c1 into panels Y1, X, D, A, G and Z as illustrated above.
2. Insert dowel pins d1 to panels X,Z,Y1,Y2,G and D as illustrated above.
3. Fix handles h to panels V1 and V2 with fix bolts b2 as illustrated above.
4. Fix hinge bodies g1 to panels V1 and V2 with screws s1 as illustrated above.
5. Screw Caster t1 with spanner r3 into panels V1,V2 as illustrated above.
6. Screw the metal bar support on to Top Panel A using the s2 screws. Place in pre-drilled holes at front on panel.

## STEP 2



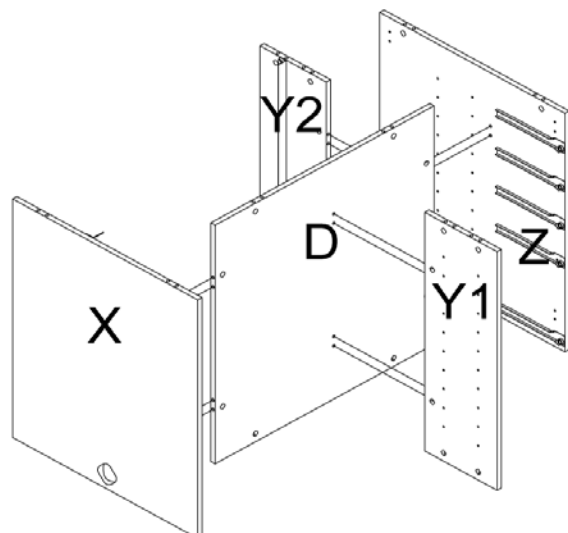
1. Fix Lifter Rail (right) to X panel with s1 screws following predrilled holes as shown on the illustration above.

## STEP 3





1. Fix Lifter Rail (left) to Y2 panel with s1 screws following predrilled holes as shown on the illustration above.

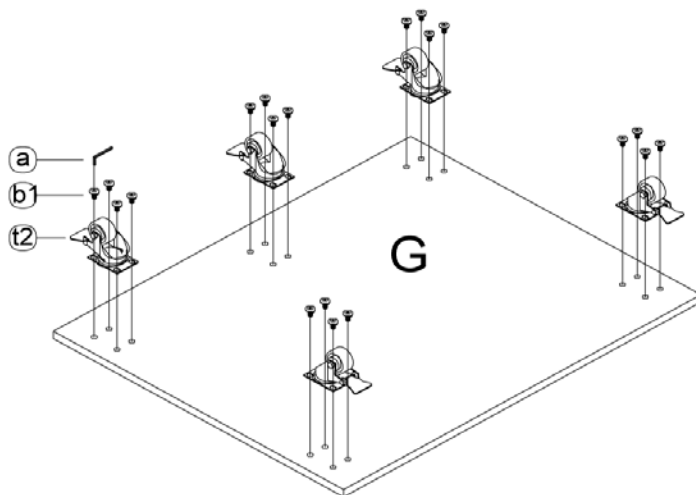
## STEP 4



Panel D, Y1, Y2, X, and Z assembly.

1. Insert cam bolts  on panel Y1, Y2, X and Z into cams on panels D and tighten in a clockwise direction  as illustrated above.

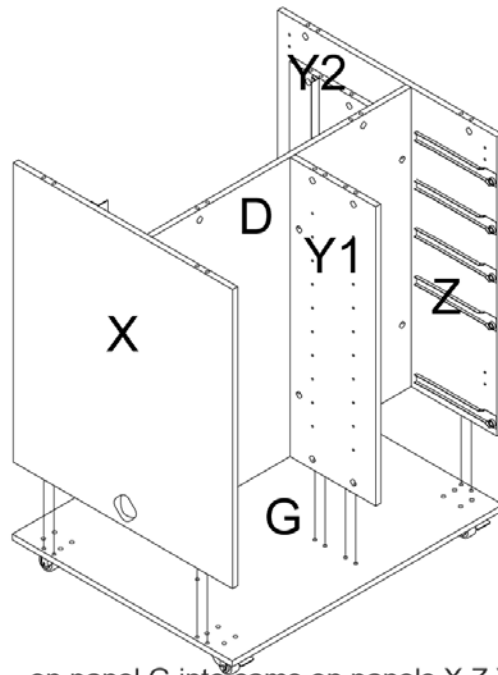
## STEP 5



Panel G assembly.

1. Fix castors  to panels G with screws  as illustrated above.

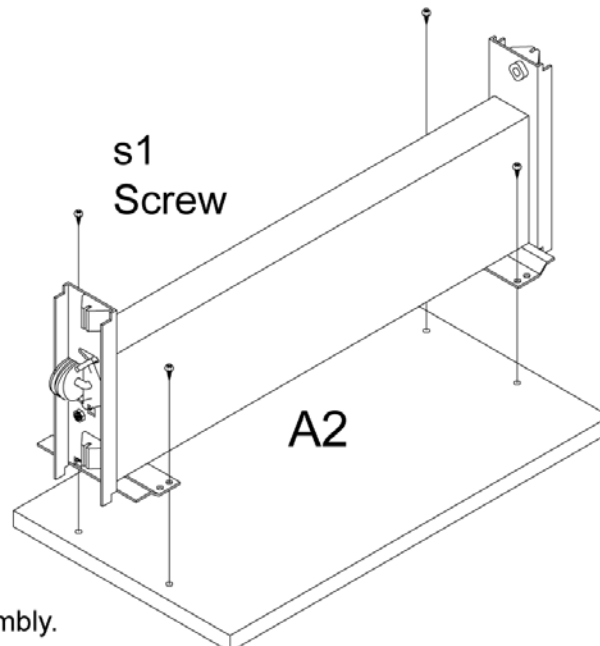
## STEP 6



Panel G assembly.

1. Insert cam bolts <sup>(C1)</sup> on panel G into cams on panels X,Z,Y1,Y2 and D and tighten in a clockwise direction as illustrated above.

## STEP 7

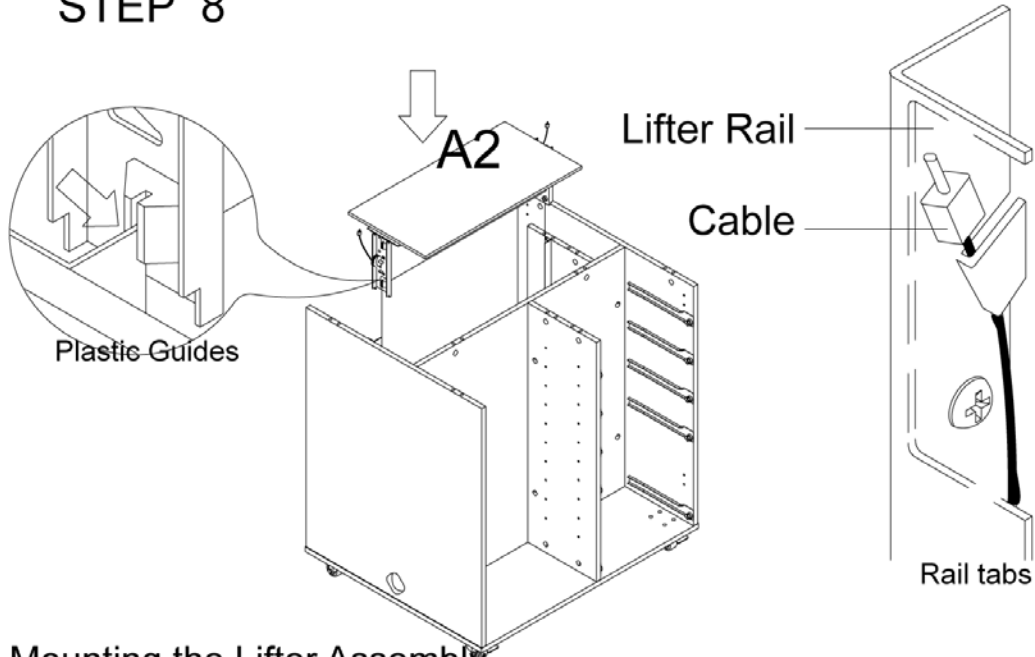


Lifter Panel assembly.

1. Fix Lifter to A2 panel with s1 screws following predrilled holes as shown on the illustration above.



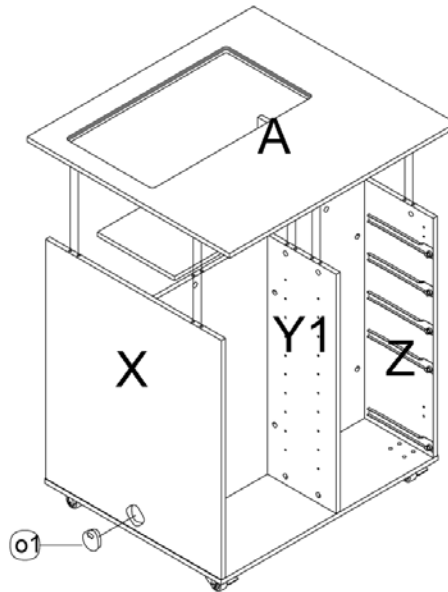
## STEP 8





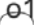
### Mounting the Lifter Assembly.

1. Position lifter onto side rails using plastic guides; by lowering the lifter make sure the cable is catch onto the rail tabs on both sides. See illustration above.
2. When lifter pushed to first lock position remove a small wooden block that will be released from lifter.

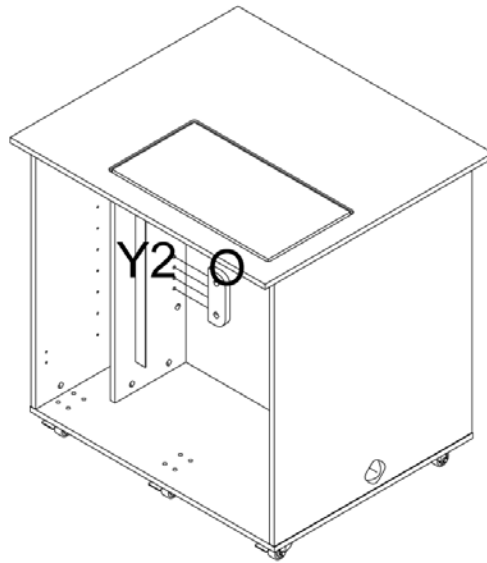
## STEP 9



### Panel A assembly.

1. Insert cam bolts  on panel A into cams on panels X,Z,Y1,Y2 and D and tighten in a clockwise direction  as illustrated above.
2. Press in Cable port  into side panel X firmly by hand until it sits flush.

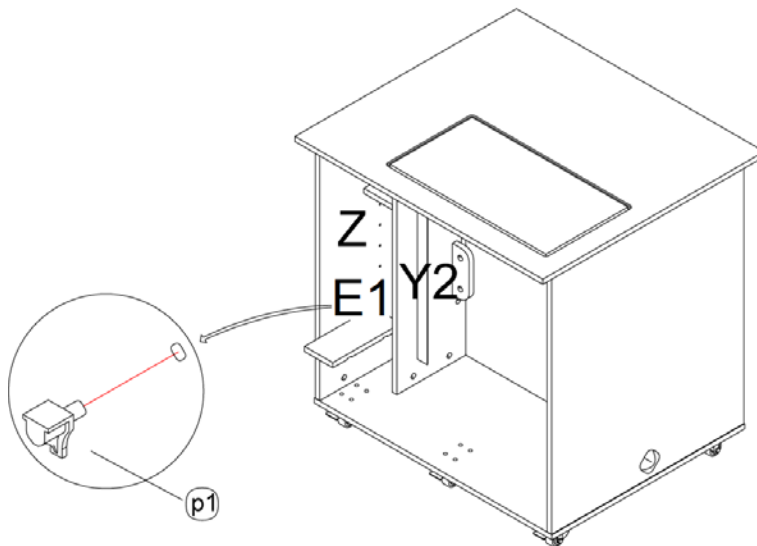
## STEP 10



Panel O assembly.

1. Insert cam bolts <sup>(c1)</sup> on panel Y2 into cams on panels O and tighten in a clockwise direction as illustrated above.

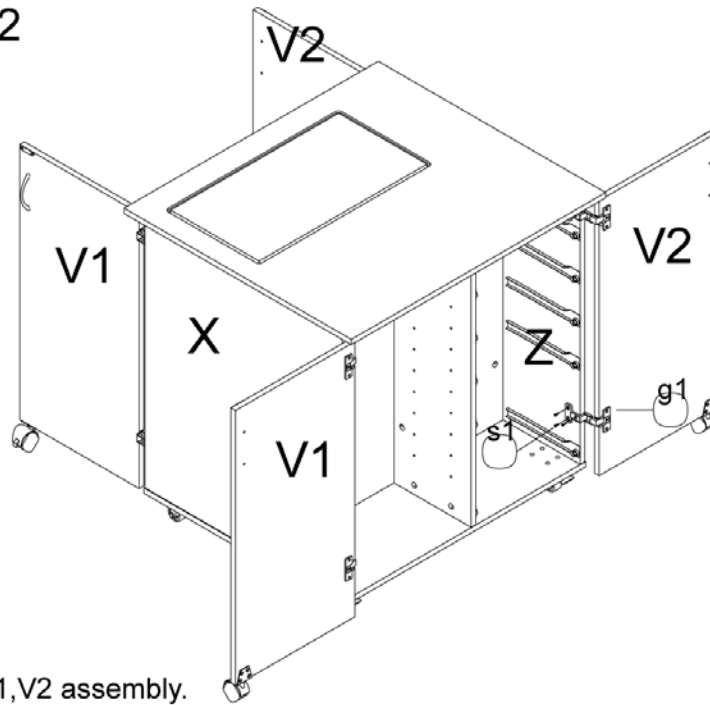
## STEP 11



Moveable shelf assembly.

1. Press in <sup>(p1)</sup> pegs with flat surface facing upwards at the same level on panels Z and Y2.
2. Slide shelf E1 with cut in grooves (if available) downwards on top of p1 pegs.

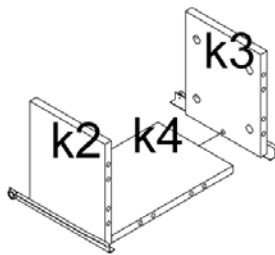
## STEP 12



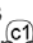

Door panel V1,V2 assembly.

1. Attach V1, V2 door assembly using hinge g1 with screws s1 to panels X and Z as illustrated above.

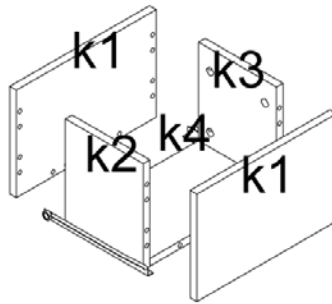
## STEP 13




Panel K2,K3 ,K4 assembly.

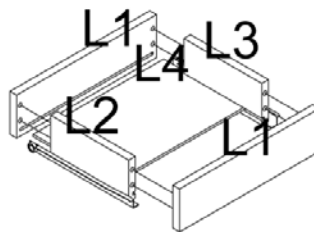
1. Insert cam bolts  on panel K2 and K3 into cams on panels K4 and tighten in a clockwise direction  as illustrated above.

## STEP 14

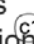



Panel K1 assembly.

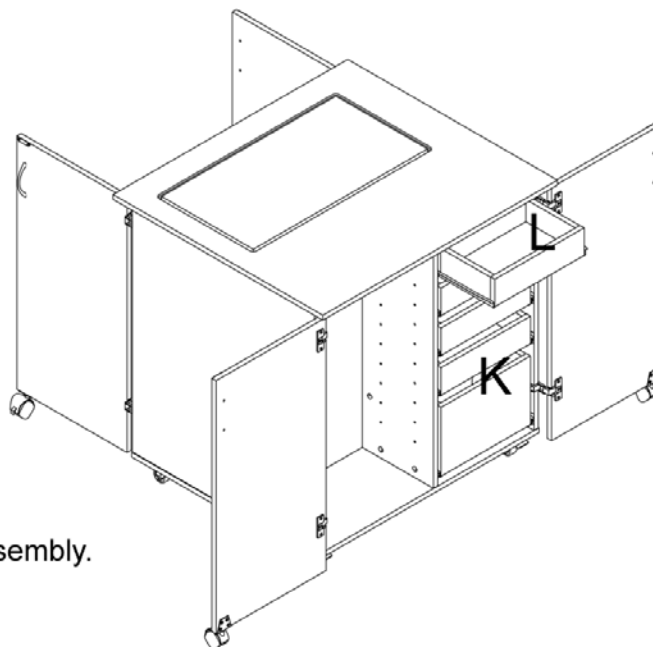
1. Insert cam bolts  on panel K1 into cams on panels K2, K3 and K4 and tighten in a clockwise direction as illustrated above.



Panel L1, L2, L3 and L4 assembly.

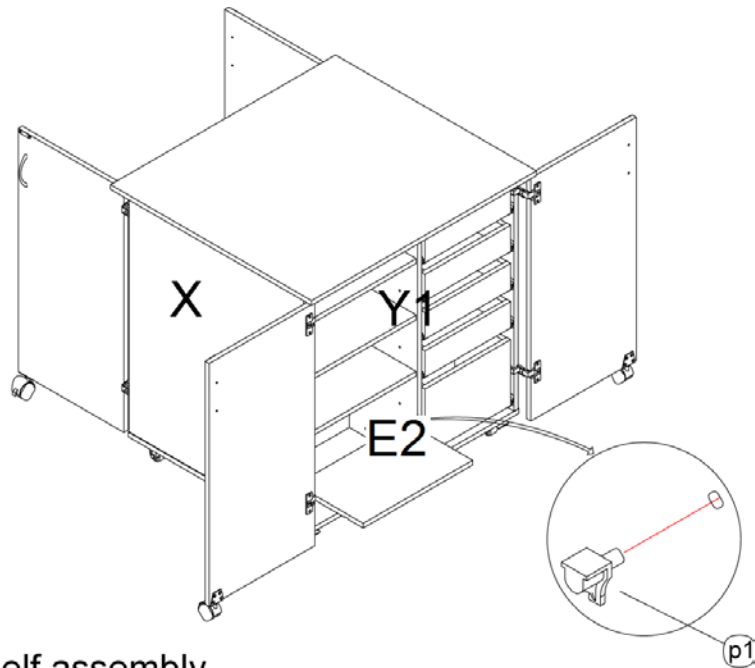
1. Slide bottom panel L4 into L3, L1, L2 slots.
2. Insert cam bolts  on panel L1 into cams on panels L2, L3 and L4 and tighten in a clockwise direction  as illustrated above.

## STEP 15






Drawers assembly.

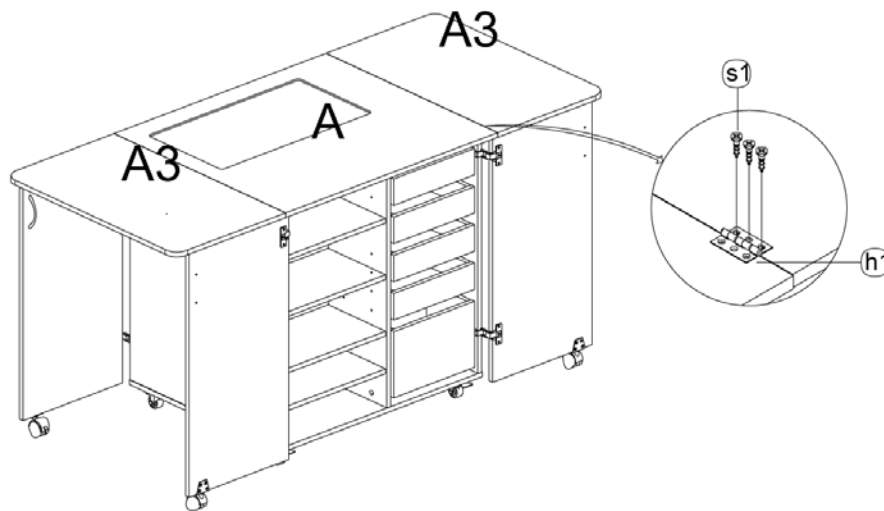
## STEP 16





### Moveable shelf assembly.

1. Press in  pegs with flat surface facing upwards at the same level on panels  X and Y1.
2. Slide shelf E2 with cut in grooves (if available) downwards on top of  p1 pegs.

## STEP 17



### Panels A3 assembly.

1. Fix Hinges  h1 with screws  s1 into panels A as illustrated above.

You have now successfully completed the assembly on item:

# ITEM No.:K9411

