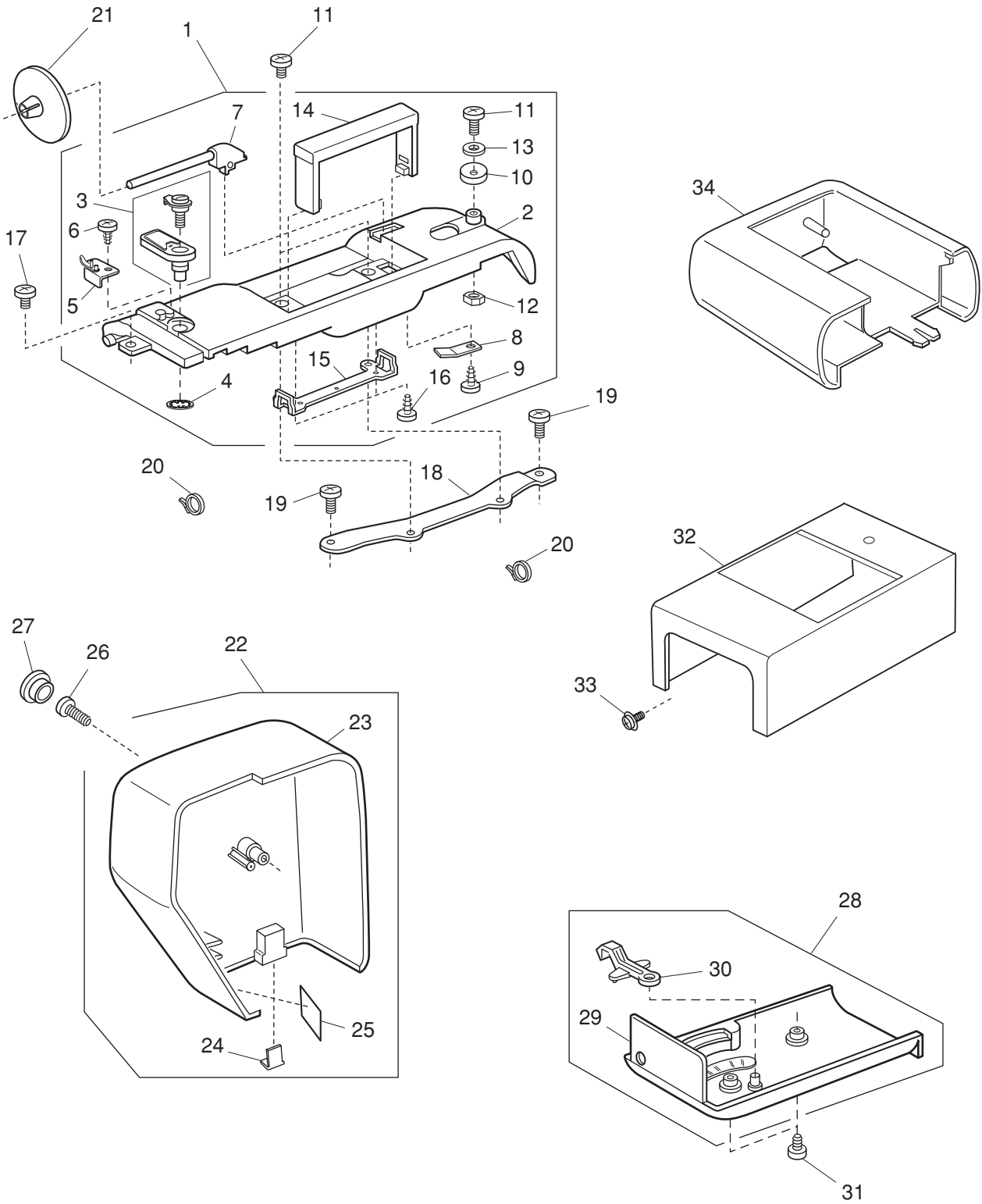


PARTS LIST
MODEL: NE30

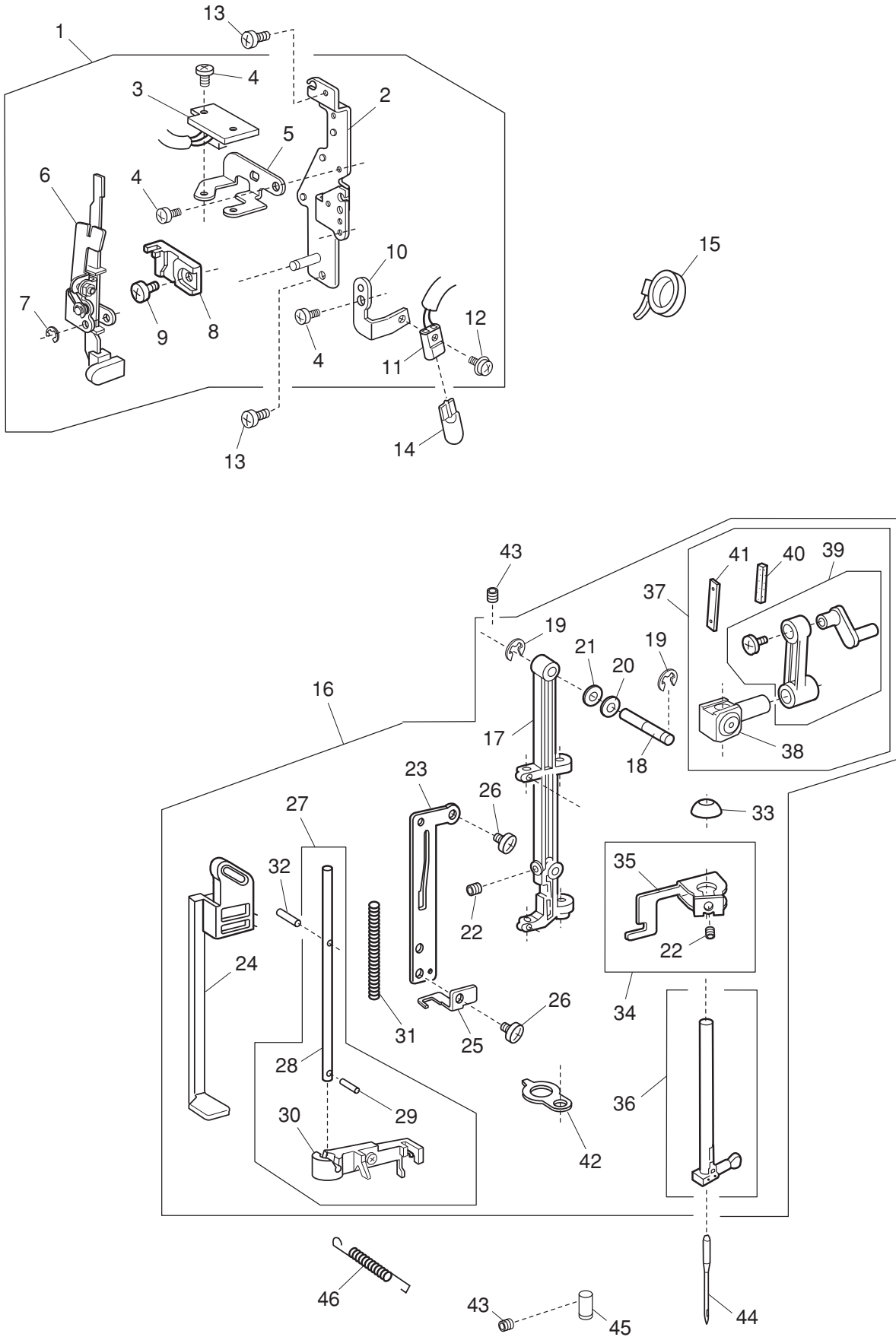
PARTS LIST



PARTS LIST

KEY NO.	PARTS NO.	DESCRIPTION
1	828603102	Top cover (unit)
2	828008020	Top cover
3	650503702	Thread guide (unit)
4	000014409	Snap ring CS-8
5	827503005	Top cover thread guide (unit)
6	000162001	Setscrew 2.6x5 (B)
7	505067005	Spool pin
8	822018003	Spool pin spring
9	000107318	Setscrew 3x8 (B)
10	735016307	Bobbin winder stopper
11	000103107	Setscrew 4x14
12	000061205	Nut 4-3-7
13	000071013	Washer
14	827014004	Handle
15	827015005	Set plate
16	000161206	Setscrew 3x10 (B)
17	810220003	Setscrew
18	827016017	Top cover set plate
19	000081005	Setscrew 4x8
20	000053008	Cord binder
21	822020503	Spool holder (large)
22	843649048	Face plate (unit)
23	843138038	Face plate
24	840602006	Thread cutter (unit)
25	827099003	Face plate sticker
26	000101817	Setscrew 4x16
27	653006101	Cap
28	827602108	Bed cover (unit)
29	827004104	Bed cover
30	753005000	Drop lever
31	000101703	Setscrew 4x12
32	659001001	Free arm cover
33	000115205	Setscrew TP 4x6
34	843140000	Extension table (unit)

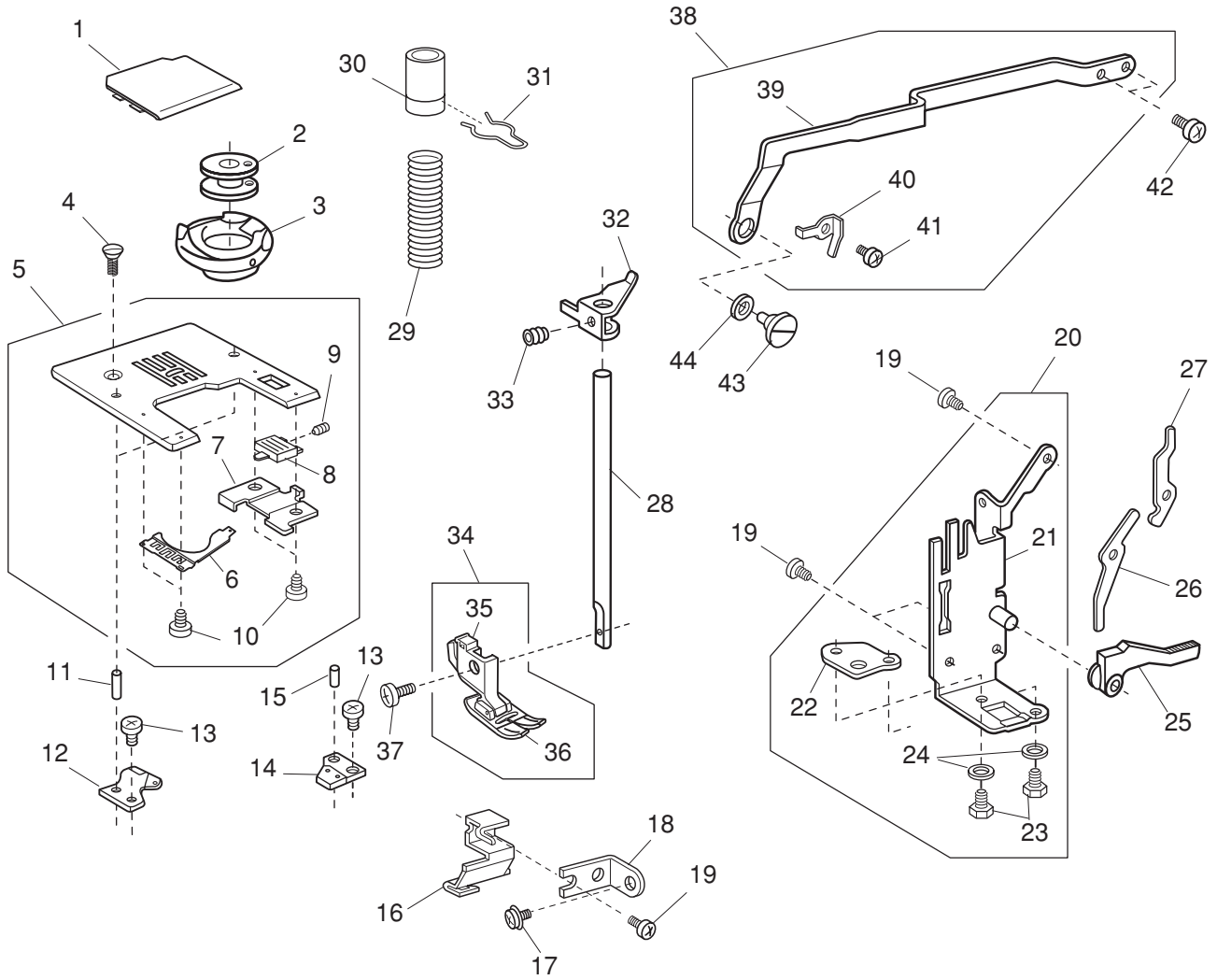
PARTS LIST



PARTS LIST

KEY NO.	PARTS NO.	DESCRIPTION
1	843604007	Front base plate (unit)
2	843008005	Front base plate
3	843502004	Printed circuit board E-1 (unit)
4	000101105	Setscrew 3x4
5	843009006	BH lever supporter plate
6	843625004	BH lever (unit)
7	000002105	Snap ring E-3
8	830057021	BH lever guide
9	000103808	Setscrew 3x5
10	843007004	Lamp set plate
11	843508000	Lamp socket (unit)
12	000115308	Setscrew TP 2x8
13	000081005	Setscrew 4x8
14	000026002	Wedge base lamp 12V 5W
15	000053101	Cord bind
16	840647003	Needle bar supporter (unit)
17	827026010	Needle bar supporter
18	730022002	Needle bar supporter pin
19	000002507	Snap ring E-4
20	000070609	Washer
21	673022002	Washer
22	000111902	Hexagonal socket screw 3x4
23	840033000	Thread guide plate
24	840034001	Needle threader lever
25	840037004	Needle threader lever set plate
26	000078319	Setscrew 3x6
27	840646002	Needle threader bar (unit)
28	840036003	Needle threader bar
29	000003508	Spring pin 2x8
30	755643002	Threader plate (unit)
31	840035002	Needle threader spring
32	000125105	Pin E-2 X6-CH
33	827098013	Washer
34	807607008	Threader position set plate (unit)
35	807018006	Threader position set plate
36	653503103	Needle bar (unit)
37	843652000	Needle bar connecting stud (unit)
38	639516002	Needle bar connecting stud (unit)
39	843543007	Needle bar crank pin (unit)
40	650040005	Felt
41	650041006	Felt holder spring
42	829027006	Supporter guide plate
43	000111201	Hexagonal socket screw 4x4
44	102408089	Needle HA1-14
45	827083004	Supporter guide plate pin
46	756063005	Supporter spring

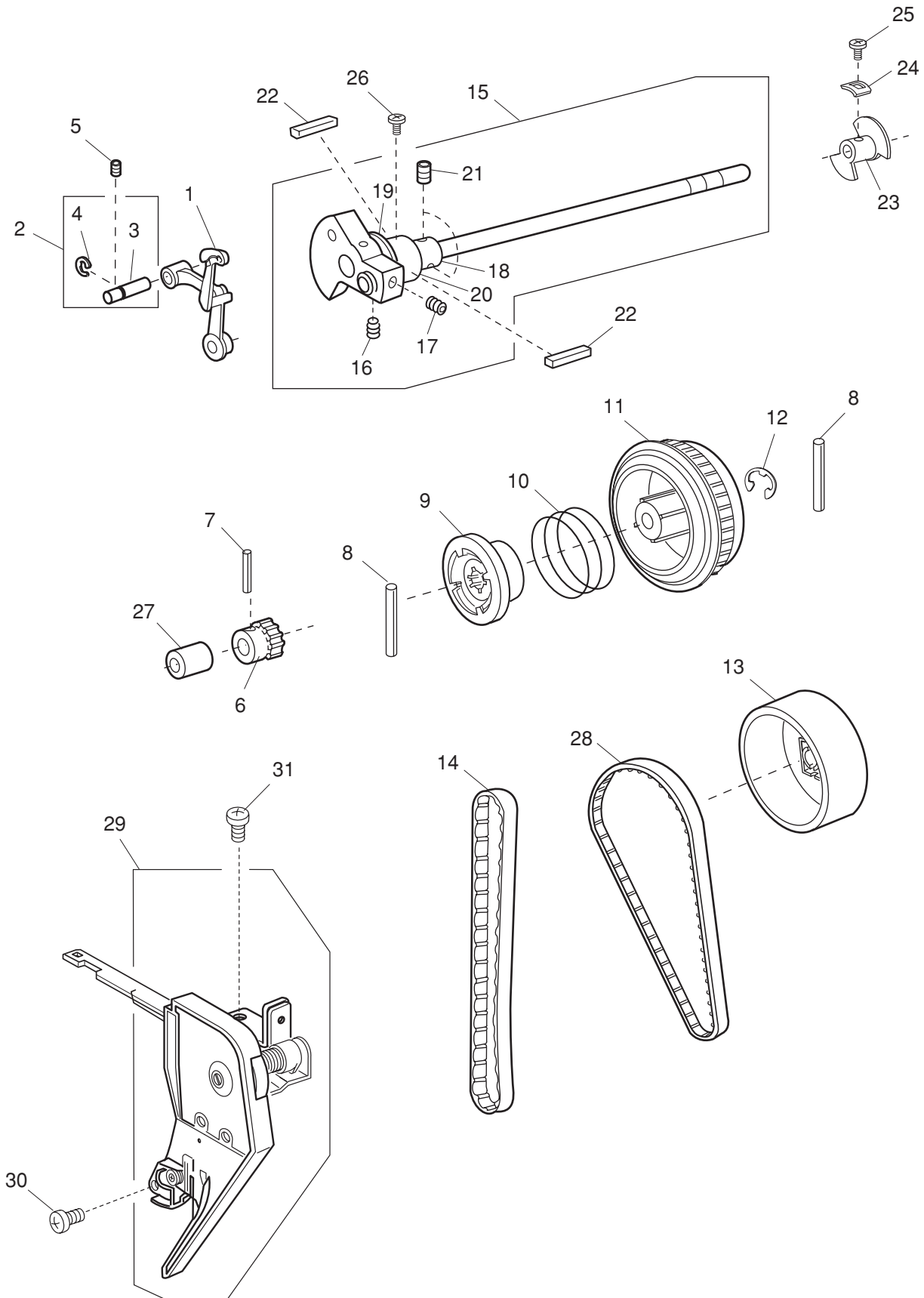
PARTS LIST



PARTS LIST

KEY NO.	PARTS NO.	DESCRIPTION
1	750036012	Hook cover plate
2	102261000	Bobbin
3	627569106	Bobbin holder (unit)
4	681009101	Needle plate set screw
5	756604303	Needle plate (unit)
6	832235010	Hook cover plate holder (left)
7	825015010	Hook cover plate holder (right)
8	825016000	Hook cover plate holder release button
9	825017001	Hook cover plate holder spring
10	820374004	Setscrew 2x2.3
11	000122504	Pin D3x10CH
12	827011001	Bobbin holder stopper
13	810220003	Setscrew
14	627567001	Bobbin holder stopper (unit)
15	000122700	Pin D2.5x6-LC
16	827036002	Arm thread guide
17	000115205	Setscrew 4x6
18	827037003	Front cover set plate
19	000081005	Setscrew 4x8
20	827608403	Presser base plate (unit)
21	827020047	Presser base plate
22	827082003	Foot regulating plate
23	000066303	Hexagonal bolt 4x6
24	000070908	Washer 4
25	735029004	Presser foot lifter
26	827022005	Tension release lever (1)
27	827023006	Tension release lever (2)
28	827021004	Presser bar
29	730026006	Presser bar spring
30	802021007	Bushing
31	802022008	Snap retainer
32	735028003	Presser bar supporter
33	000111500	Hexagonal socket screw 4x8
34	660509008	Presser foot (unit)
35	660806008	Presser foot holder (unit)
36	832523007	Zigzag foot (unit)
37	660106001	Setscrew
38	827622012	Zigzag rod (unit)
39	827055018	Zigzag rod
40	827088009	Zigzag rod spring
41	820373003	Setscrew 2x3
42	000078319	Setscrew 3x6
43	678084007	Eccentric pin
44	653037008	Washer

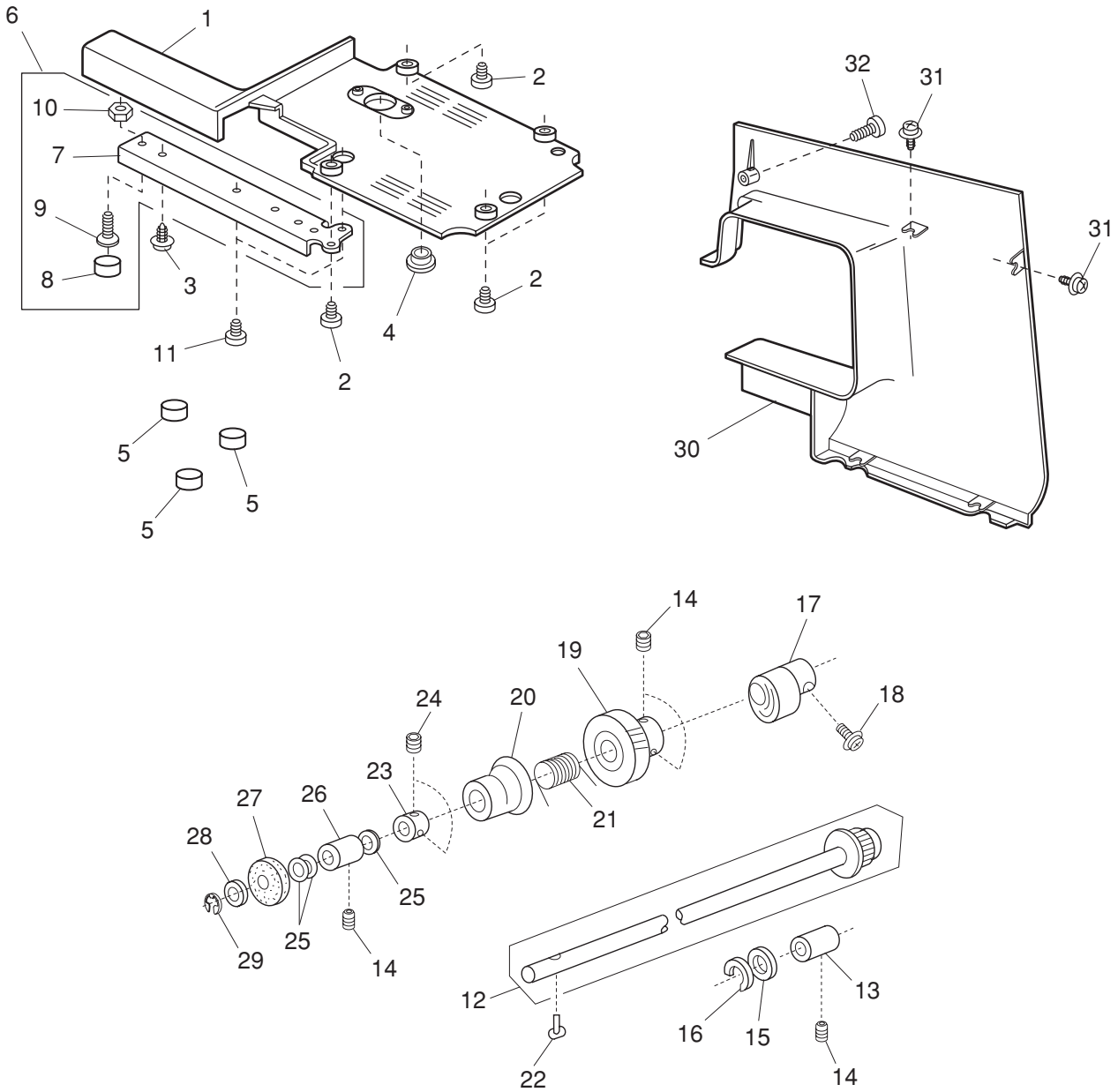
PARTS LIST



PARTS LIST

KEY NO.	PARTS NO.	DESCRIPTION
1	820511108	Thread take-up lever
2	650626001	Thread take-up lever pin (unit)
3	650062003	Thread take-up lever pin
4	000001702	Snap ring E-6
5	000111201	Hexagonal socket screw 4x4
6	756017004	Upper shaft gear
7	000020501	Spring pin 3x22
8	000024206	Spring pin 3x30
9	502064003	Clutch ring
10	502065004	Clutch spring
11	844050016	Belt wheel
12	000030205	Snap ring E-8
13	844077008	Handwheel
14	650071005	Timing belt
15	843643101	Upper shaft comp. (unit)
16	000111706	Hexagonal socket screw 5x8
17	000110901	Hexagonal socket screw 5x4
18	829042007	Upper shaft bushing (front)
19	000038605	Washer
20	639095000	Upper shaft ring
21	000111304	Hexagonal socket screw 5x5
22	731384008	Felt
23	830095010	Upper shaft shielding plate
24	820102009	Washer
25	000081005	Setscrew 4x8
26	000172602	Setscrew 5x8
27	673062004	Upper shaft bushing (rear)
28	653139012	Timing belt
29	843540059	Thread tension (unit)
30	000101703	Setscrew 4x12
31	000101404	Setscrew 4x6

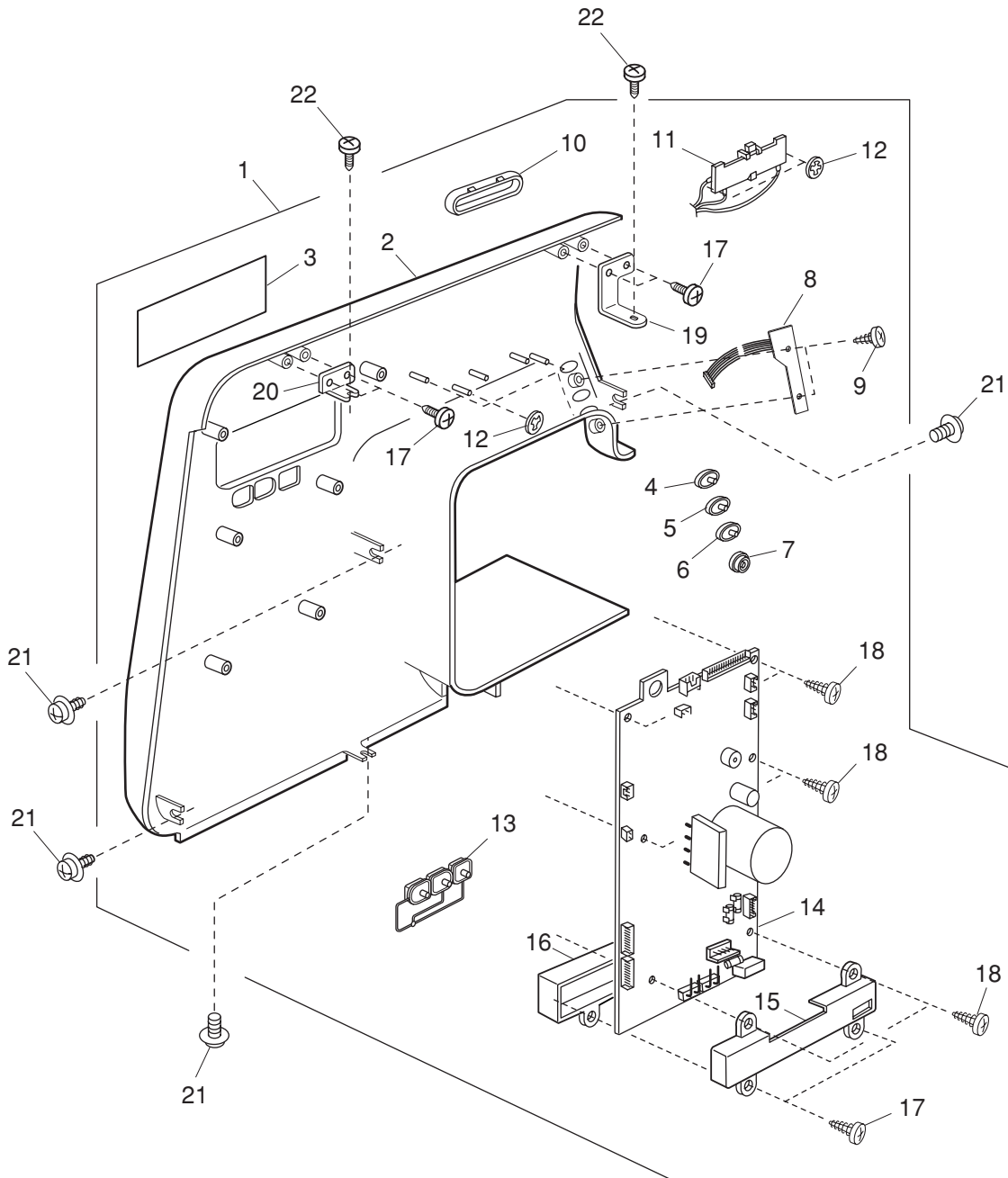
PARTS LIST



PARTS LIST

KEY NO.	PARTS NO.	DESCRIPTION
1	827003000	Base plate
2	000103509	Setscrew 4x10
3	000161206	Setscrew TP 3x10 (B)
4	626045407	Cap
5	647009002	Bed rubber base
6	827601107	Arm leg (unit)
7	827002102	Arm leg
8	735002001	Rubber base
9	000192000	Setscrew 5x16
10	000061412	Nut 5-3-8
11	000066808	Setscrew 6x14
12	751612206	Lower shaft (unit)
13	650079003	Lower shaft bushing (rear)
14	000111304	Hexagonal socket screw 5x5
15	822070003	Felt
16	822112008	Felt holder (1)
17	751148000	Feed cam
18	000115009	Setscrew 3x8
19	650955002	Lower shaft gear
20	753183025	Feed lifting cam
21	686035008	Feed lifting cam spring
22	820161006	Feed lifting pin
23	820166001	Ring
24	000111201	Hexagonal socket screw 4x4
25	000038502	Washer
26	650078002	Lower shaft bushing (front)
27	735143005	Felt
28	858177002	Lower shaft washer
29	000002806	Snap ring E-6
30	842001186	Rear cover
31	000115205	Setscrew TP 4x6
32	000104119	Setscrew 4x20

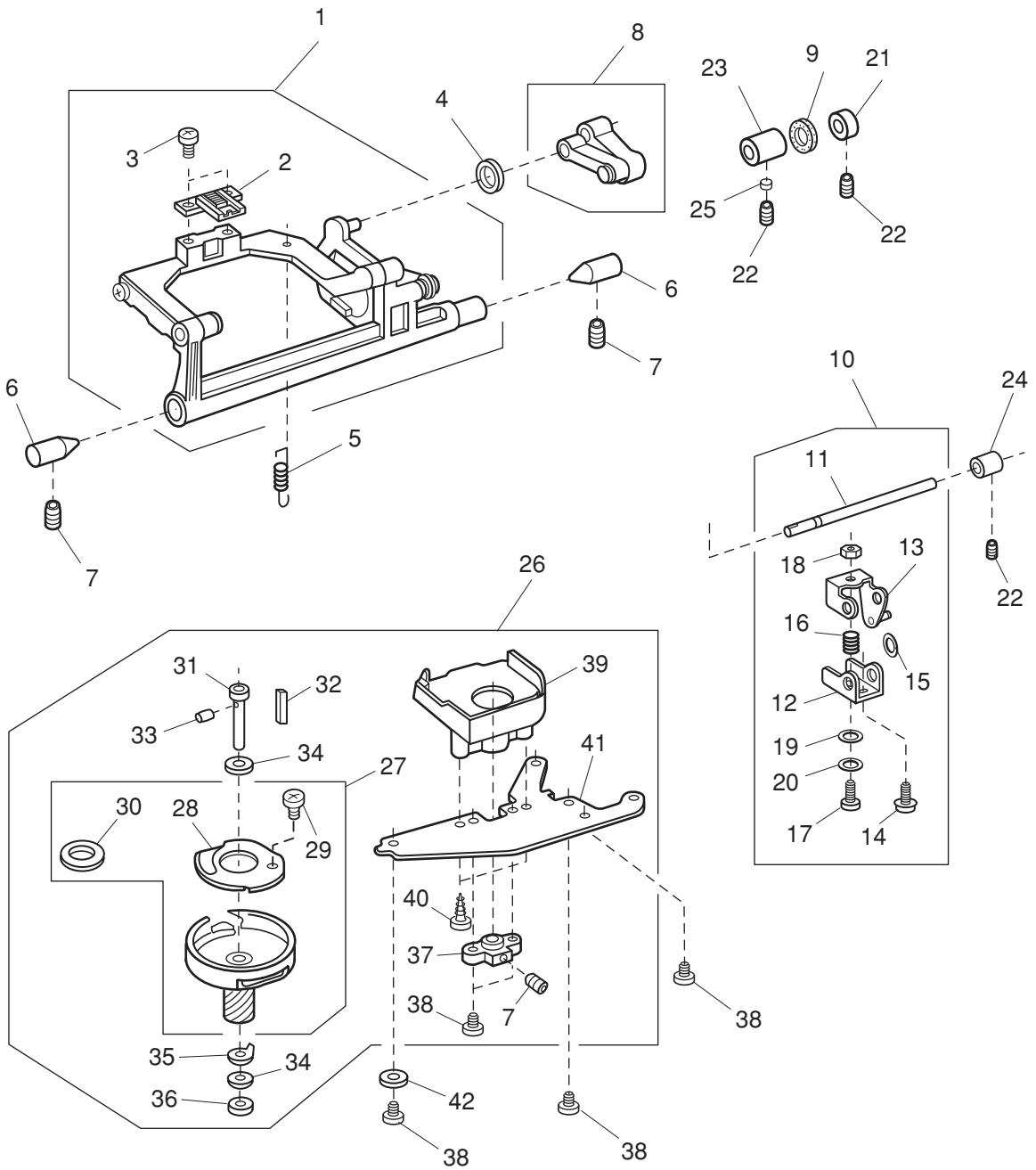
PARTS LIST



PARTS LIST

KEY NO.	PARTS NO.	DESCRIPTION
1	843641349	Front cover (unit)
2	843114500	Front cover
3	842059259	Indicator window
4	843026401	Button (1)
5	843026205	Button (1)
6	843026102	Button (1)
7	842048277	Start/Stop button
8	842512200	Printed circuit board F (unit)
9	000161103	Setscrew 3x6 (B)
10	841017001	Slide volume lever
11	653507211	Slide volume (unit)
12	000014306	Snap ring CS-3
13	843166507	Button (2)
14	843401150	Printed circuit board A
15	843021107	Board A case
16	843020106	Board A case cover
17	000120203	Setscrew 3x8 (B)
18	000161206	Setscrew 3x10 (B)
19	842014001	Front cover set plate (front)
20	841019003	Front cover set plate (rear)
21	000115205	Setscrew TP 4x6
22	000101404	Setscrew 4x6

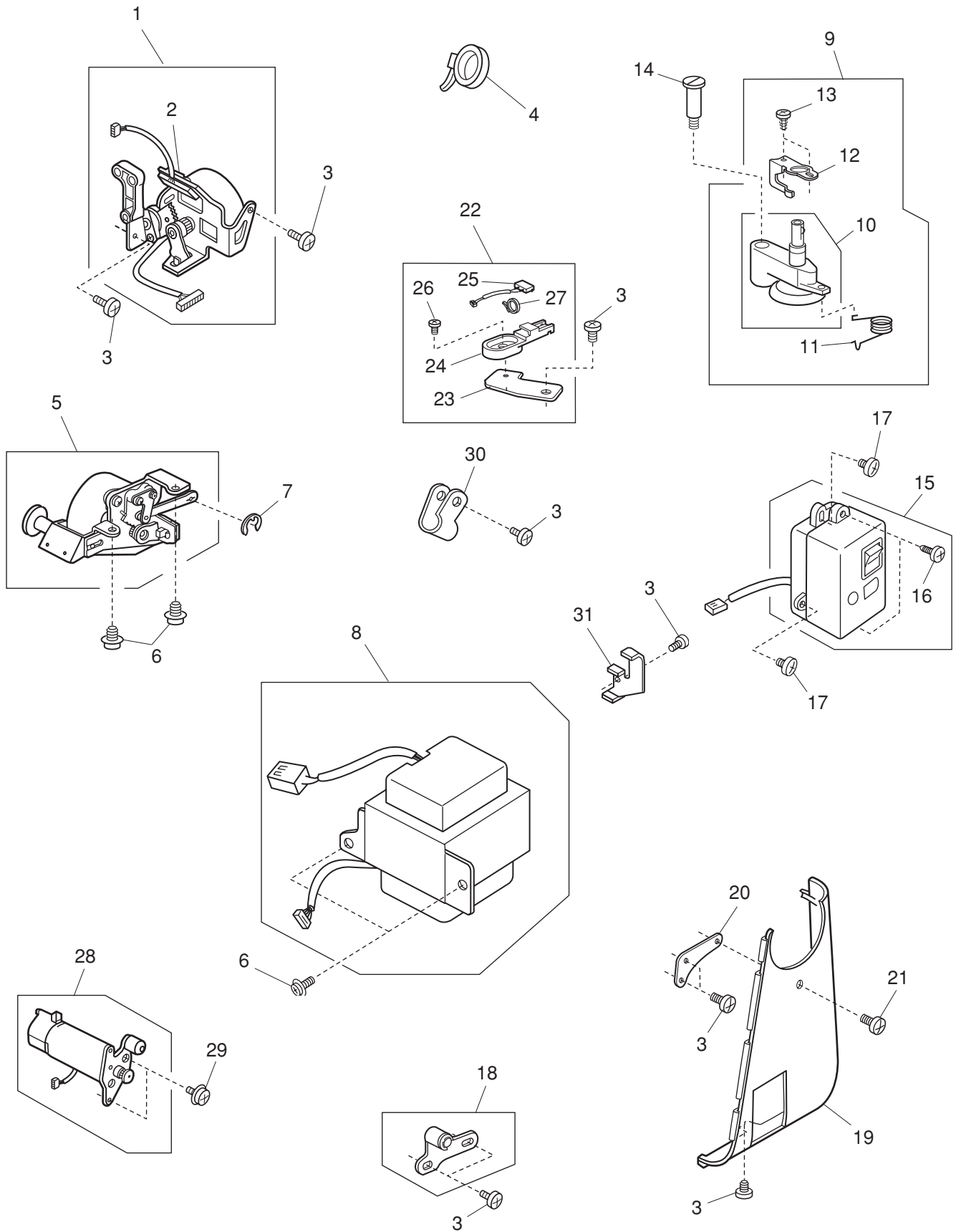
PARTS LIST



PARTS LIST

KEY NO.	PARTS NO.	DESCRIPTION
1	834527100	Feed rock shaft (unit)
2	840005003	Feed dog
3	000104005	Setscrew 3.5x8
4	000036603	Washer
5	650085002	Spring
6	738055008	Center pin
7	000111304	Hexagonal socket screw 5x5
8	650612004	Feed adjuster (unit)
9	823110009	Felt
10	840603007	Feed shaft (unit)
11	840006004	Feed shaft
12	827043105	Feed adjusting arm (1)
13	825261002	Feed adjusting arm (2)
14	000115906	Setscrew (TP) 3x12
15	810207004	Spring washer
16	589040002	Spring
17	827086007	Feed adjusting arm screw
18	000160102	Adjustable nut 4
19	000071013	Washer
20	000036407	Thrust washer FT 50
21	820387000	Ring
22	000111201	Hexagonal socket screw 4x4
23	625144002	Feed shaft bushing (front)
24	650092002	Feed shaft bushing (rear)
25	650175000	Screw base
26	827614033	Shuttle race (unit)
27	650623008	Shuttle body (unit)
28	627191000	Hook bottom plate
29	820374004	Setscrew 2x2.3
30	627190010	Magnet
31	820123006	Shuttle race shaft
32	820124007	Oil string (1)
33	820125008	Oil string (2)
34	000038409	Washer
35	627192001	Washer
36	625102008	Washer
37	650094004	Shuttle race shaft base
38	000081005	Setscrew 4x8
39	827040009	Hook gear cover
40	000107204	Setscrew 3x12 (B)
41	823106002	Shuttle race set plate
42	000070506	Washer

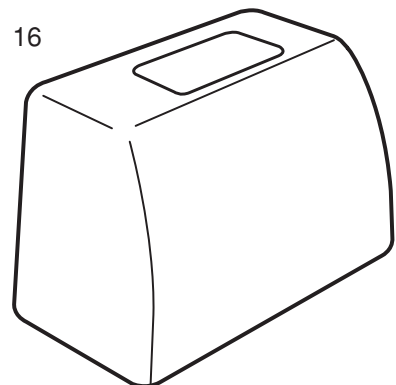
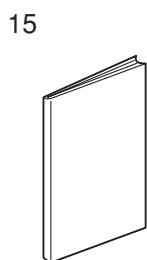
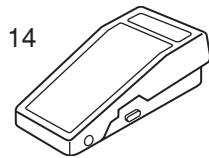
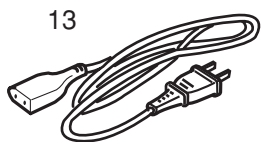
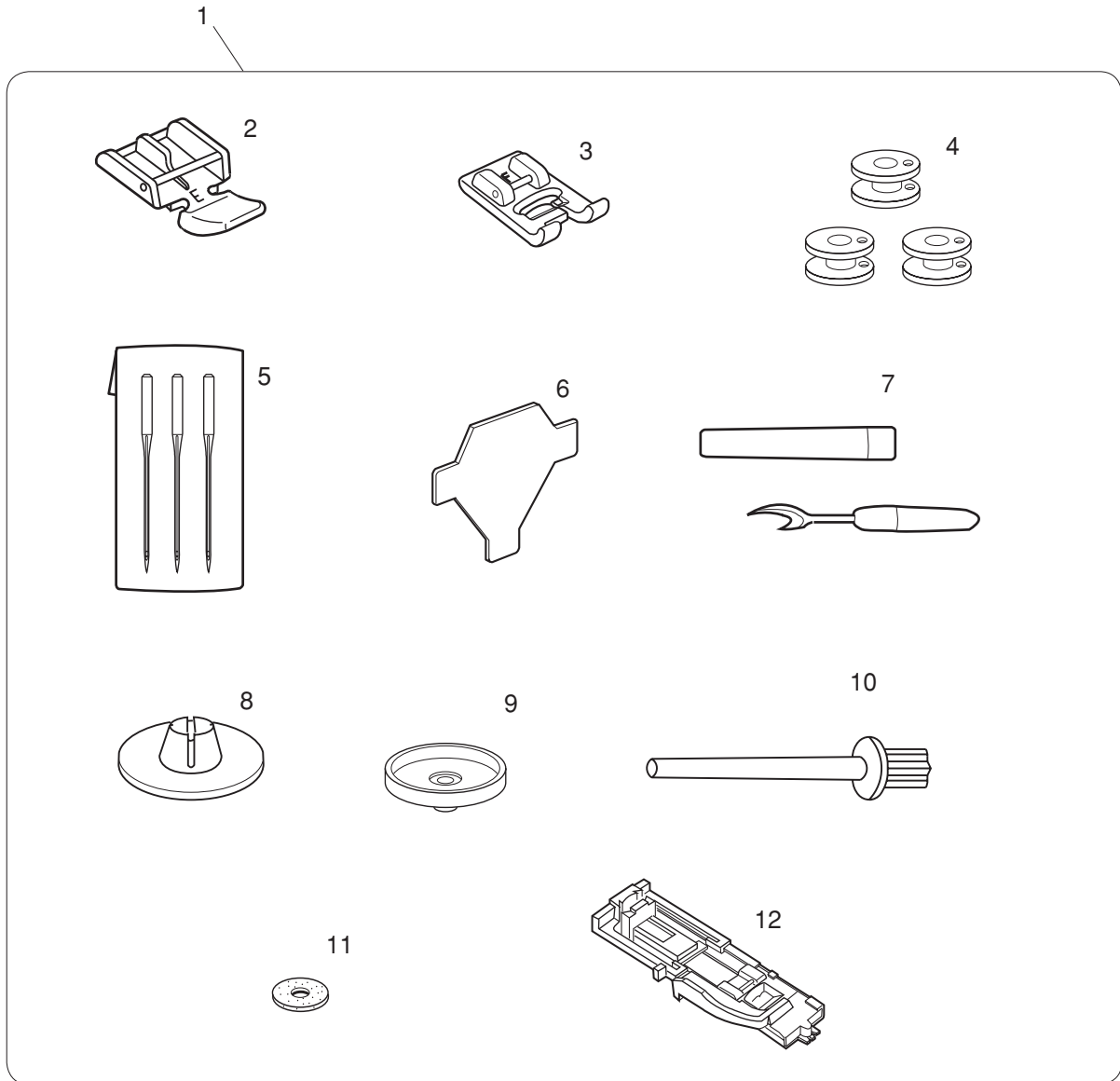
PARTS LIST



PARTS LIST

KEY NO.	PARTS NO.	DESCRIPTION
1	843608104	Stepping motor (unit)
2	843505007	Printed circuit board P (unit)
3	000081005	Setscrew 4x8
4	000053101	Cord binder
5	843606102	Feed motor (unit)
6	000115205	Setscrew TP 4x6
7	000002105	Snap ring E-3
8	843512007	Transformer (unit)
9	844628033	Bobbin winder (unit)
10	827506008	Bobbin winder (unit)
11	823119008	Bobbin winder arm spring
12	844075039	Clutch releasing arm
13	000120203	Setscrew 3x8 (B)
14	652093009	Setscrew
15	841514601	Machine socket (unit)
16	000121204	Setscrew 4x8 (B)
17	000103509	Setscrew 4x10
18	652611009	Idler (unit)
19	828064002	Belt cover
20	827085017	Belt cover set plate
21	000104119	Setscrew 4x20
22	842629005	Switch base plate (unit)
23	842066008	Switch base plate
24	827100008	Switch set plate
25	753507203	Buttonhole select switch
26	000103808	Setscrew 3x5
27	000053008	Cord binder
28	843645000	DC motor (unit)
29	000115700	Setscrew TP 4x10
30	000188209	Nylon clip
31	829020009	Transformer set plate

PARTS LIST



PARTS LIST

KEY NO.	PARTS NO.	DESCRIPTION
1	843870109	Attachment (unit)
2	829801002	Zipper foot
3	822804118	Satin foot
4	102261000	Bobbin
5	639804000	Needle set (unit)
6	653802002	Screwdriver
7	647808009	Seam ripper (unit)
8	822019509	Spool cap (small)
9	829803004	Spool stand
10	625031500	Spool pin (2)
11	102403109	Felt
12	753801004	Automatic buttonhole foot
13	653524007	Power supply cord
14	C-1036	Foot control
15	843800692	Instruction book
16	479701060	Cover
