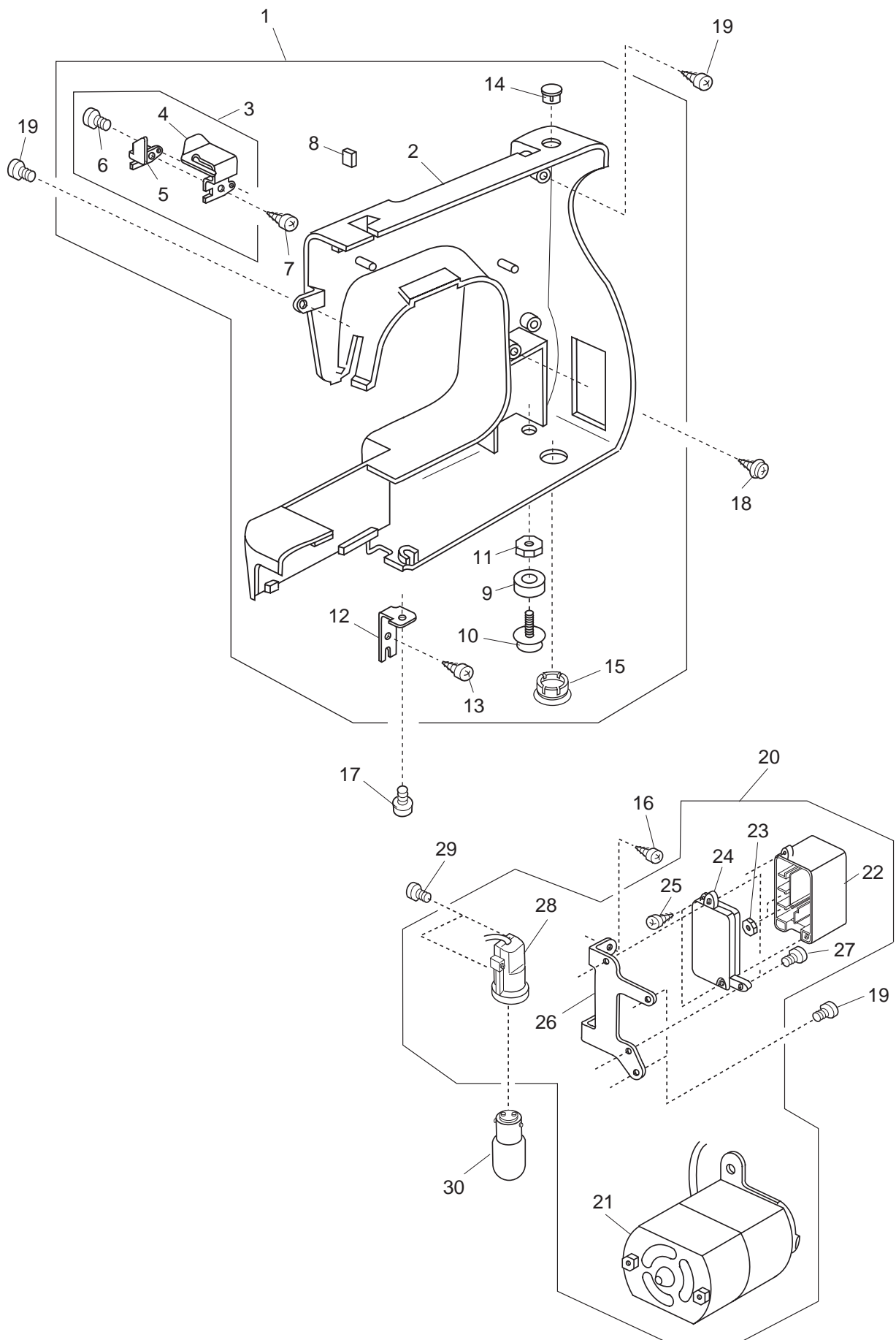


PARTS LIST

MODEL: TM8

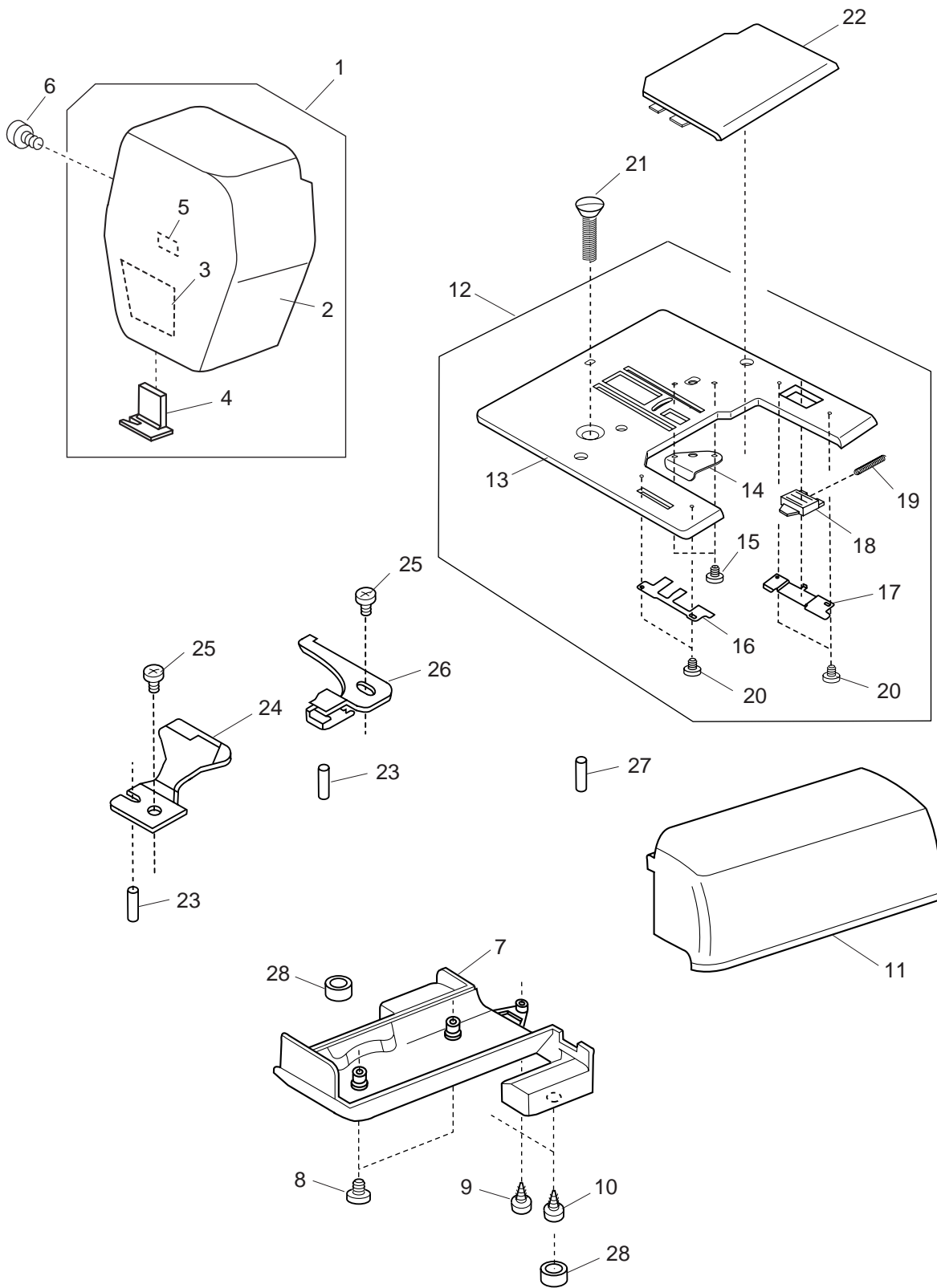
PARTS LIST



PARTS LIST

KEY NO.	PARTS NO.	DESCRIPTION
1	660606408	Rear cover (unit)
2	660002534	Rear cover
3	660618001	Threader guide plate (unit)
4	660046002	Thread guide
5	660047003	Pre-tension spring
6	820374004	Setscrew 2x2.3
7	000107905	Setscrew 3x6
8	660077002	Felt (1)
9	639005003	Rubber cushion
10	000201405	Setscrew TP 4x16
11	000160102	Adjustable lock nut 4
12	827006003	Rear cover fixing plate
13	000161103	Setscrew 3x6
14	653006101	Cap
15	733003202	Cap
16	000161206	Setscrew 3x10 (B)
17	000115205	Setscrew 4x6
18	000149507	Setscrew 3x12
19	000081005	Setscrew 4x8
20	660626002	Machine socket (unit)
21	660623009	Motor (unit)
22	739505403	Machine socket (unit)
23	000060802	Nut 3-1-5.5
24	739037007	Machine socket cover
25	000107802	Setscrew TP 3x10
26	660004008	Machine socket fixing plate
27	000103509	Setscrew 4x10
28	639512008	Lamp socket (unit)
29	000103808	Setscrew 3x5
30	000008606	Lamp 120V 15W E12

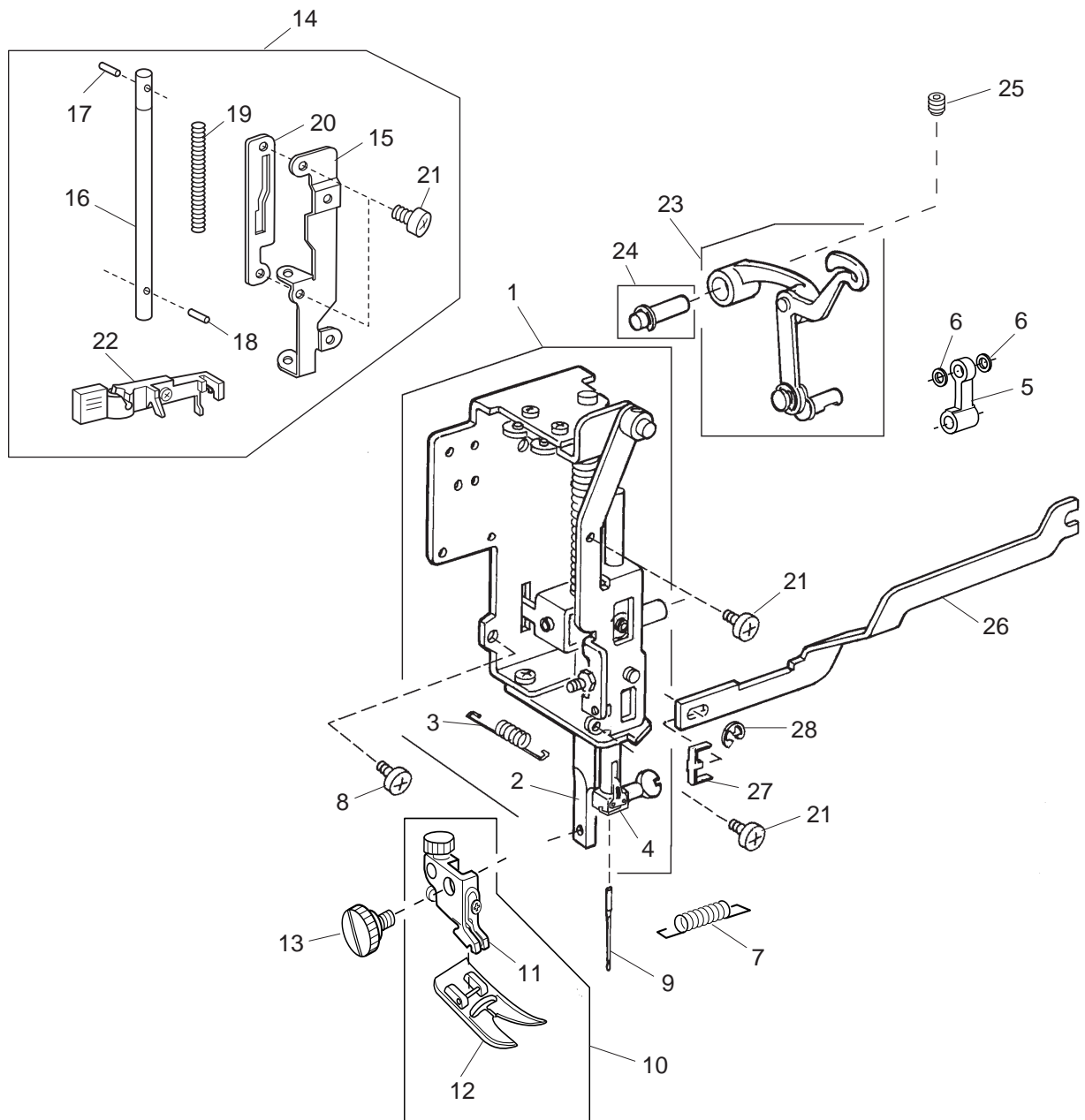
PARTS LIST



PARTS LIST

KEY NO.	PARTS NO.	DESCRIPTION
1	660603210	Face plate (unit)
2	660009195	Face plate
3	724025006	Reflecting sticker
4	840602006	Thread cutter
5	100411104	Lamp sticker
6	000070012	Setscrew 4x14
7	660006000	Bed cover
8	000101703	Setscrew 4x12
9	000121905	Setscrew 4x12 (B)
10	000120203	Setscrew 3x8 (B)
11	660007001	Extension table
12	751603101	Needle plate (unit)
13	653179209	Needle plate
14	654078004	Rotation stopper
15	820373003	Setscrew 2x3
16	752005007	Hook cover plate holder (left)
17	825015010	Hook cover plate holder (right)
18	825016000	Hook cover plate release button
19	825017001	Hook cover plate holder spring
20	820374004	Setscrew 2x2.3
21	681009101	Setscrew
22	825018035	Hook cover plate
23	000122504	Pin
24	827011001	Bobbin holder stopper
25	810220003	Setscrew
26	627567001	Bobbin holder stopper (unit)
27	000122700	Pin
28	739064003	Bed rubber cushion

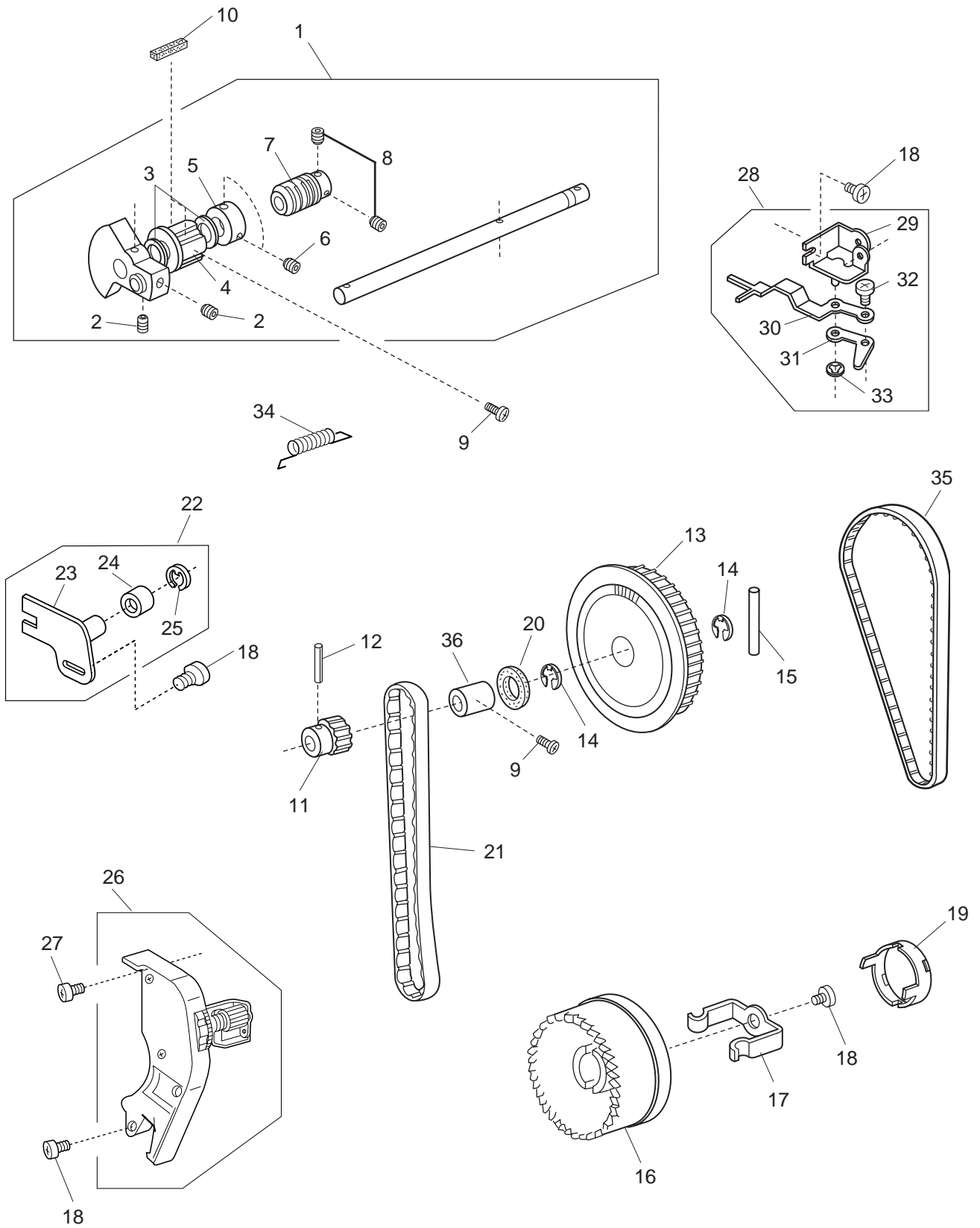
PARTS LIST



PARTS LIST

KEY NO.	PARTS NO.	DESCRIPTION
1	660604004	Presser bar base (unit)
2	660003007	Presser bar
3	639110002	Needle bar supporter spring
4	660620006	Needle bar (unit)
5	639016007	Needle bar crank rod
6	000036902	Thrust washer
7	639017008	Needle bar supporter spring
8	000081005	Setscrew 4x8
9	102408089	Needle
10	685503010	Presser foot (unit)
11	804509000	Foot holder (unit)
12	685502019	Presser foot (unit)
13	647112009	Setscrew
14	660647009	Needle threader (unit)
15	639122007	Needle threader shaft plate
16	660100005	Needle threader shaft
17	000122906	Guide pin
18	000003508	Pin 2x8
19	639125000	Threader shaft spring
20	660053002	Threader guide plate
21	000101105	Setscrew 3x4
22	639643009	Threader plate (unit)
23	660510013	Needle bar crank pin (unit)
24	731511006	Thread take-up lever pin
25	000111201	Hexagonal socket screw 4x4
26	639072001	Zigzag width rod
27	639098003	Zigzag width rod back plate
28	000002105	Snap ring E-3

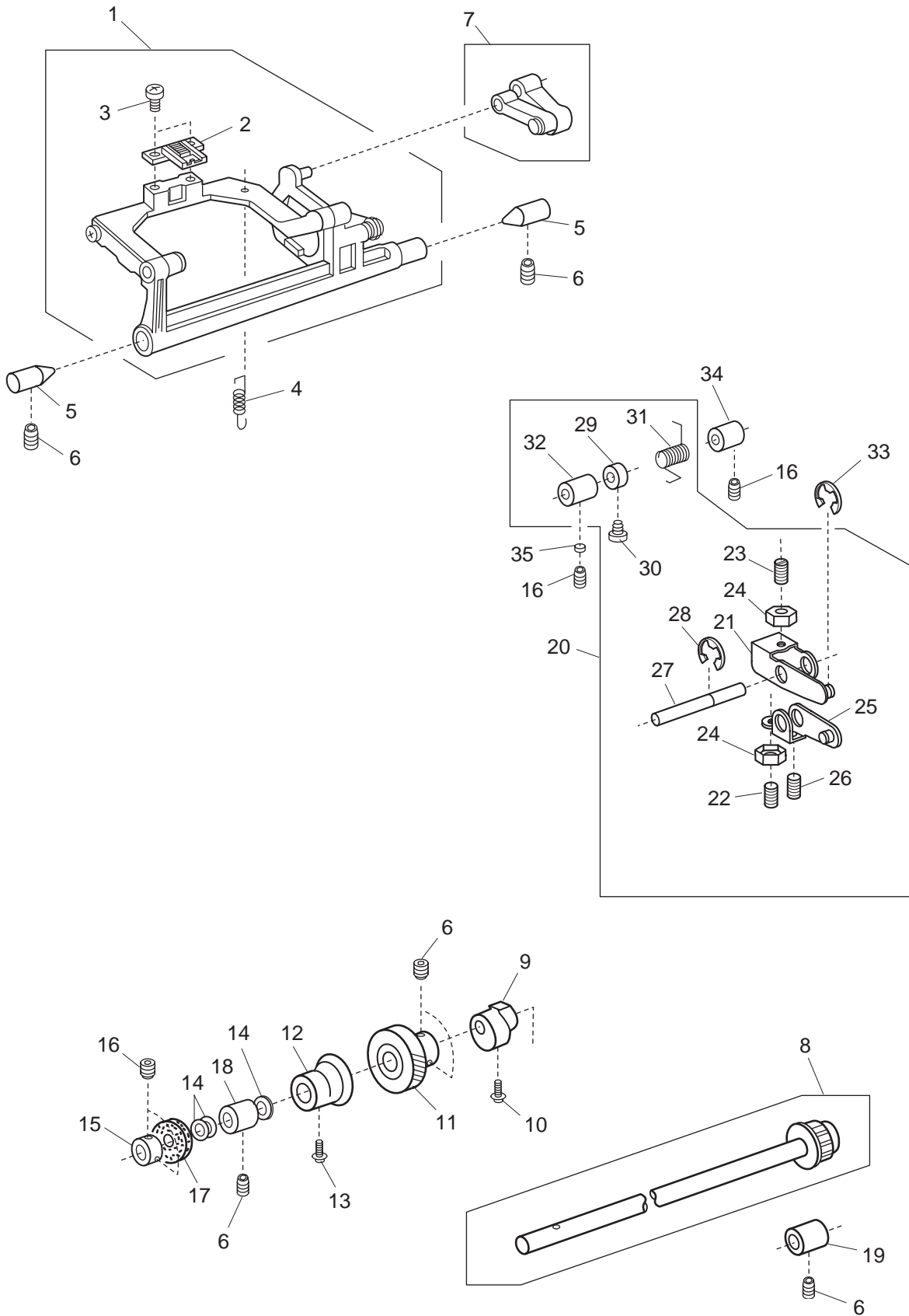
PARTS LIST



PARTS LIST

KEY NO.	PARTS NO.	DESCRIPTION
1	660608008	Upper shaft (unit)
2	000110901	Hexagonal socket screw 5x4
3	000036717	Thrust washer
4	829042007	Upper shaft front bushing
5	639095000	Ring
6	000111304	Hexagonal socket screw 5x5
7	749011109	Worm
8	000111201	Hexagonal socket screw 4x4
9	000101301	Setscrew 5x10
10	731384008	Felt
11	660103008	Upper shaft timing gear
12	000020501	Spring pin 3x22
13	639096012	Belt wheel
14	000030205	Snap ring E-8
15	000023803	Spring pin 4x40
16	639097024	Hand wheel
17	639113016	Clutch spring
18	000081005	Setscrew 4x8
19	650070509	Clutch cap
20	639119001	Felt
21	660017015	Timing belt
22	660609009	Idler (unit)
23	660018005	Idler base
24	625217100	Idler
25	000002806	Snap ring E-6
26	660506005	Thread tension regulator (unit)
27	810220003	Setscrew
28	660607007	Thread tension fixing plate (unit)
29	660014001	Thread tension fixing plate
30	639024008	Tension releasing arm
31	639025009	Tension releasing adjusting arm
32	000103808	Setscrews 3x5
33	000013903	Snap ring CS-5
34	639026000	Tension releasing lever spring
35	653139023	Timing belt
36	673062004	Upper shaft rear bushing

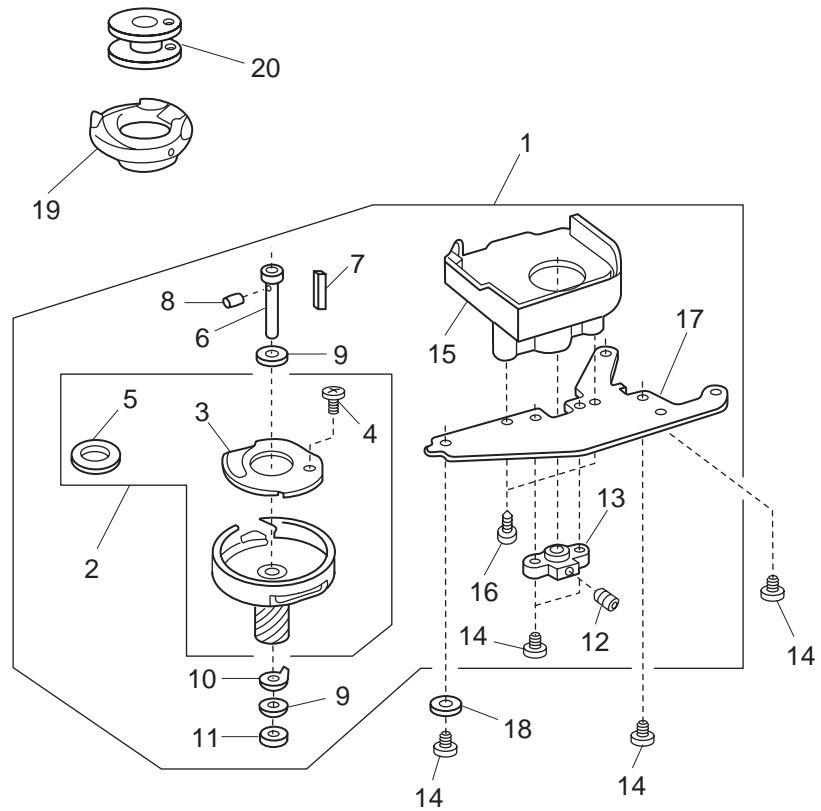
PARTS LIST



PARTS LIST

KEY NO.	PARTS NO.	DESCRIPTION
1	751666009	Feed lock shaft (unit)
2	653193003	Feed dog
3	000104005	Setscrew 3.5x8
4	650085002	Spring
5	749024002	Straight pin
6	000111304	Hexagonal socket screw 5x5
7	650612004	Feed regulator (unit)
8	660610003	Lower shaft (unit)
9	751148000	Feed cam
10	000115009	Setscrew TP 3x8
11	650955002	Lower shaft gear
12	650077001	Feed lifting cam
13	000121606	Setscrew 3x12
14	000038502	Washer
15	820166001	Lower shaft ring
16	000111201	Hexagonal socket screw 4x4
17	735143005	Felt
18	650078002	Lower shaft bushing (front)
19	650079003	Lower shaft bushing (rear)
20	660612108	Feed regulator arm (unit)
21	660021001	Feed regulator arm
22	000114008	Setscrew 4x10
23	648010009	Setscrew
24	000160102	Adjustable lock nut 4
25	660022105	Feed shaft arm
26	000111108	Hexagonal socket screw 4x6
27	660023003	Feed shaft
28	000001609	Snap ring E-5
29	820387000	Ring
30	000081005	Setscrew 4x8
31	751246009	Feed regulator spring
32	625144002	Feed lock shaft bushing (front)
33	000002105	Snap ring E-3
34	650092002	Feed lock shaft bushing (rear)
35	650175000	Pad

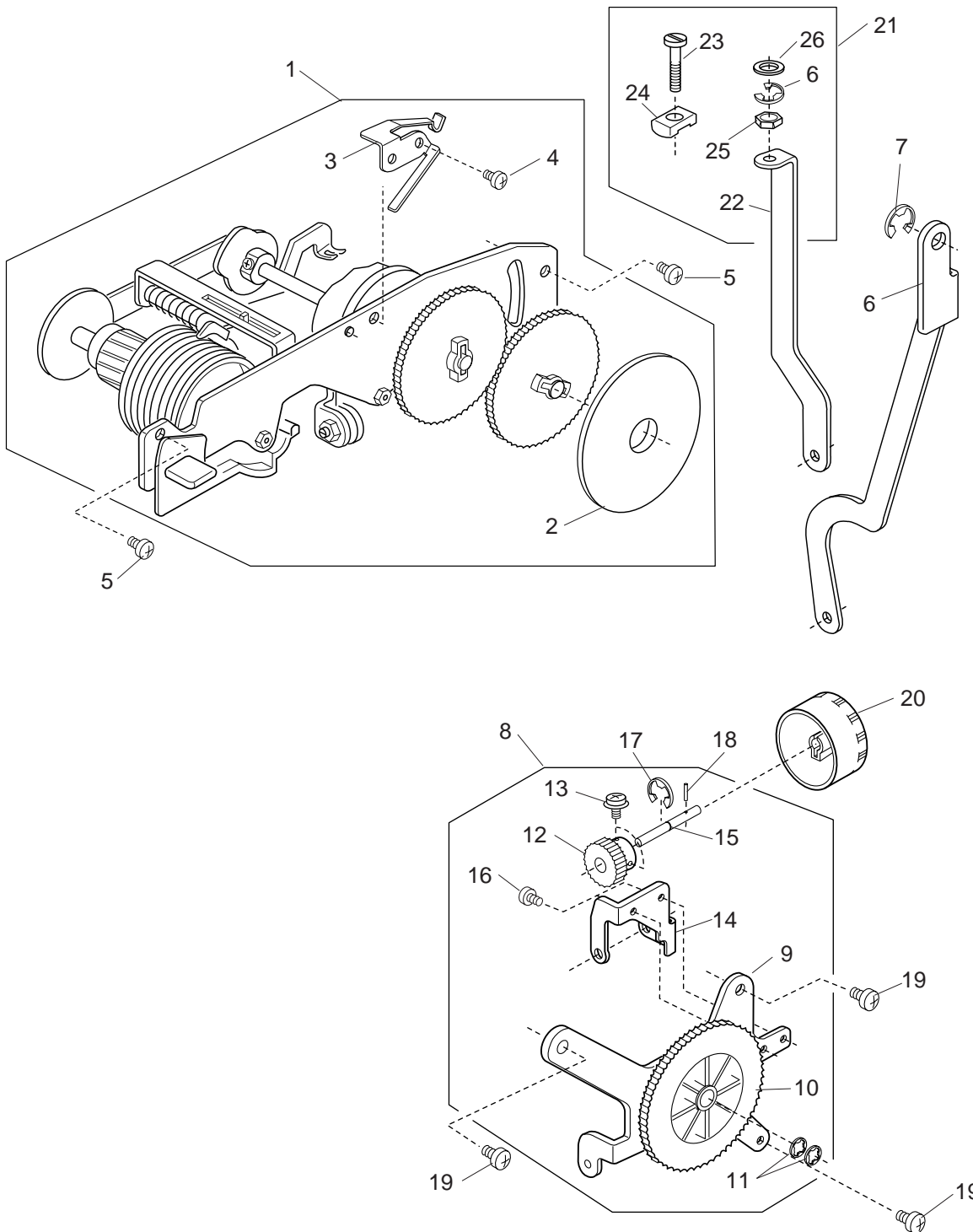
PARTS LIST



PARTS LIST

KEY NO.	PARTS NO.	DESCRIPTION
1	827614066	Hook race (unit)
2	650623008	Hook body (unit)
3	627191000	Thread guard
4	820374004	Setscrew 2x2.3
5	627190010	Magnet
6	820123006	Hook race shaft
7	820124007	Oil string 1
8	820125008	Oil string 2
9	000038409	Washer
10	627192001	Washer
11	625102008	Washer
12	000111304	Hexagonal socket screw 5x5
13	650094004	Hook race shaft base
14	000081005	Setscrew 4x8
15	827040009	Cover
16	000107204	Setscrew 3x12 (B)
17	823106105	Hook race set plate
18	000070506	Washer
19	627569106	Bobbin holder
20	102261000	Bobbin

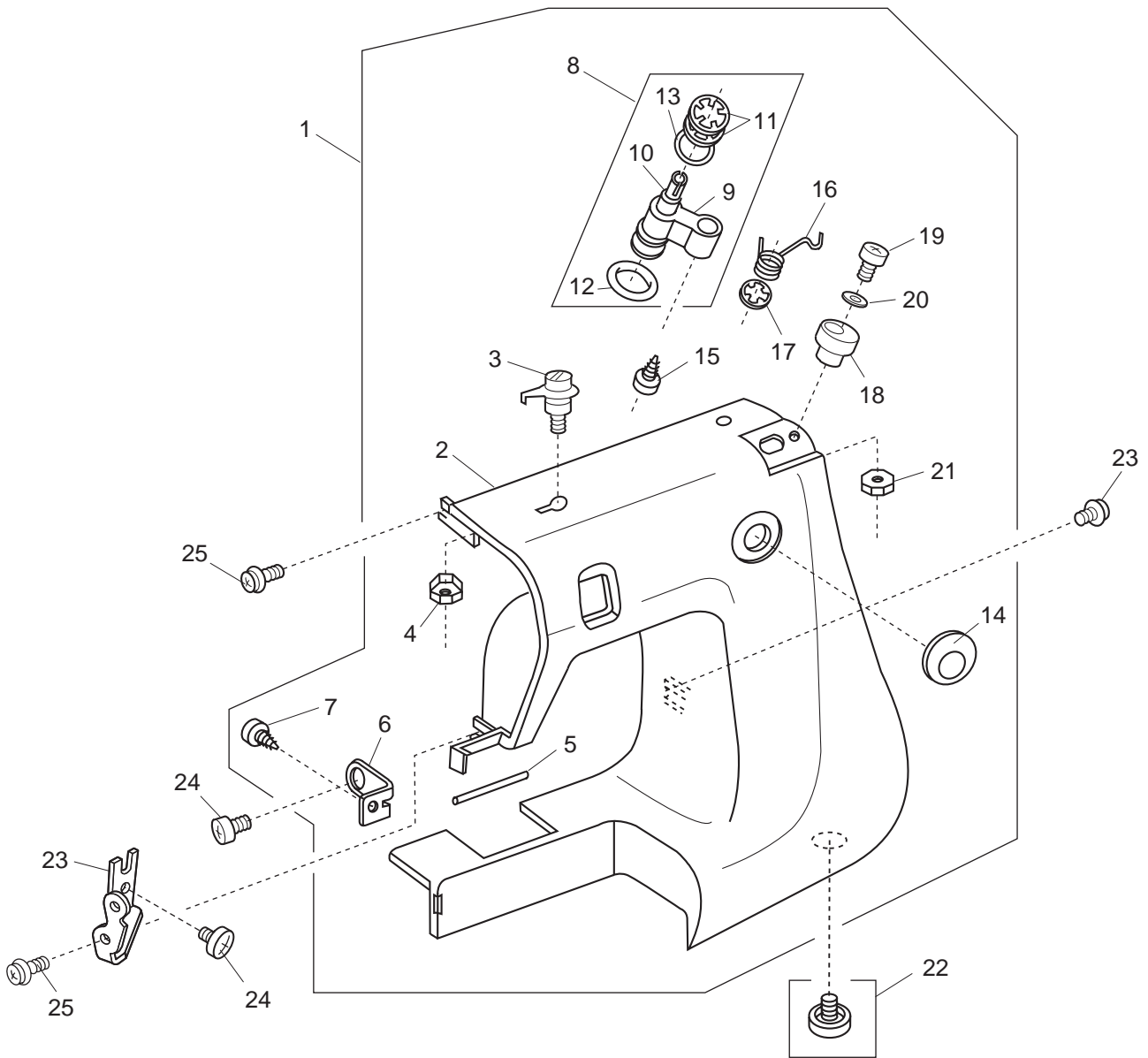
PARTS LIST



PARTS LIST

KEY NO.	PARTS NO.	DESCRIPTION
1	660619507	Cam block (unit)
2	660029180	Pattern indication plate
3	660049005	Index spring
4	000103808	Setscrew 3x5
5	810220003	Setscrew
6	660027007	Feed transforming rod
7	000002105	Snap ring E-3
8	660617000	Gear setting plate (unit)
9	660044000	Pattern selection gear base plate
10	660035008	Pattern selector dial gear
11	000014007	Snap ring CS-4
12	308028007	Dial gear
13	000115009	Setscrew TP 3x8
14	660036009	Dial supporting plate
15	660048107	Dial shaft
16	000103808	Setscrew 3x5
17	000001609	Snap ring E-5
18	000019806	Spring pin 2x16
19	000081005	Setscrew 4x8
20	660037000	Pattern selector dial
21	660611004	SS rod (unit)
22	660020000	SS rod
23	735074004	SS adjusting screw
24	735076006	SS rod piece
25	000160102	Adjustable lock nut 4
26	000071013	Washer

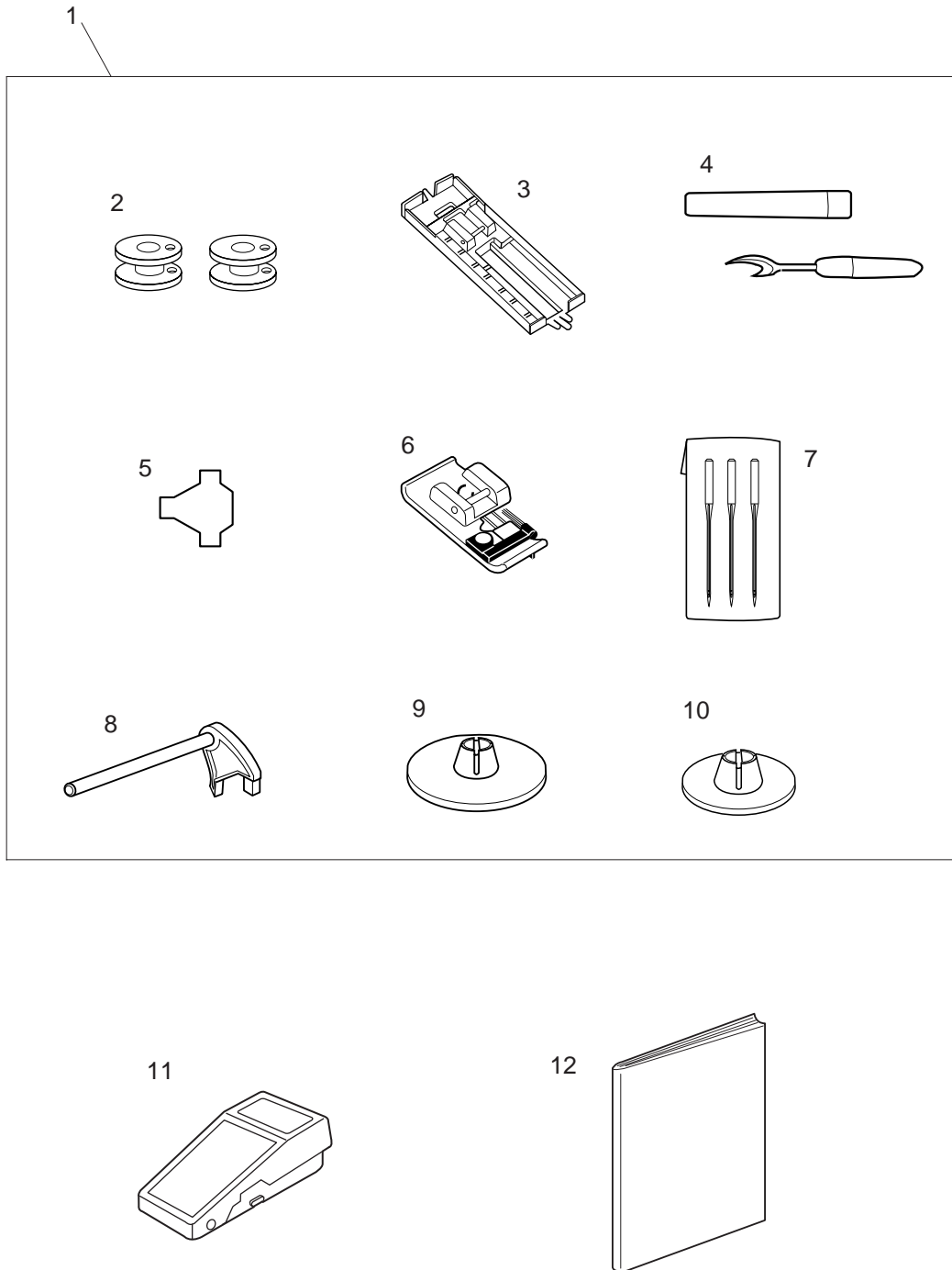
PARTS LIST



PARTS LIST

KEY NO.	PARTS NO.	DESCRIPTION
1	660621409	Front cover (unit)
2	660038816	Front cover
3	730501206	Thread guide (unit)
4	000160102	Adjustable lock nut 4
5	639075004	Thread guide
6	827069004	Front cover fixing plate
7	000120203	Setscrew 3x8
8	639612009	Bobbin winder arm (unit)
9	639076005	Bobbin winder arm
10	639077006	Bobbin winder shaft
11	000014409	Snap ring CS-8
12	639078007	Bobbin winder rubber ring
13	000036902	Washer
14	660040305	Pattern indication window
15	000109103	Setscrew 4x12
16	639079008	Spring
17	000013903	Snap ring CS-5
18	652016101	Bobbin winder stopper
19	000101828	Setscrew 4x16
20	000071013	Washer
21	000061205	Nut 4-3-7
22	639613000	Rubber cushion (unit)
23	639080002	Front cover fixing plate
24	000101404	Setscrew 4x6
25	000115205	Setscrew TP 4x6

PARTS LIST



PARTS LIST

KEY NO.	PARTS NO.	DESCRIPTION
1	660870209	Accessory kit
2	102261000	Bobbin
3	825813016	Buttonhole foot (unit)
4	647808009	Seam ripper (unit)
5	653802002	Screwdriver
6	822801001	Overedge foot
7	639804000	Needle set (unit)
8	660005010	Spool pin
9	822020503	Spool holder (large)
10	822019509	Spool holder (small)
11	C-1028	Foot controller
12	660800286	Instruction book