

# VIVIO SERIES

PROFESSIONAL GARMENT STEAMERS

CENTRALES VAPEUR PROFESSIONNELLES

VAPORIZADOR DE PRENDAS PROFESIONAL

INSTRUCTION MANUAL

GUIDE D'UTILISATION

MANUAL DE INSTRUCCIONES

VIVIO 100GC & VIVIO 150GC PARTS IDENTIFIER	01
INSTRUCTION MANUAL ENGLISH	03
GUIDE D'UTILISATION FRANÇAIS	13
MANUAL DE INSTRUCCIONES ESPAÑOL	23

# VIVIO 100GC PARTS IDENTIFIER

## ENGLISH

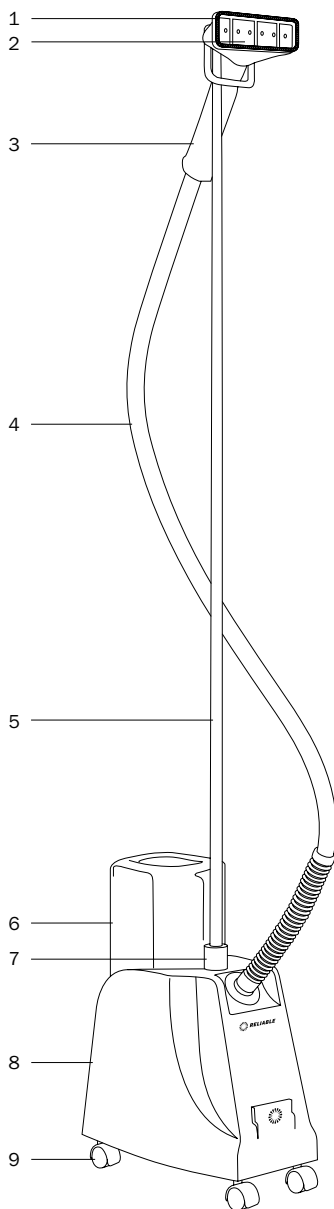
- 1 Brush (removable)
- 2 Steam head
- 3 Handle
- 4 Steam hose
- 5 Rod set (supports steam hose)
- 6 Bottle
- 7 Rod set holder
- 8 Body of steamer
- 9 Wheels

## FRANÇAIS

- 1 Brosse (amovible)
- 2 Collecteur de vapeur
- 3 Manette
- 4 Boyau de vapeur
- 5 Ensemble de tirant  
(soutient le boyau de vapeur)
- 6 Bouteille
- 7 Support pour ensemble de tirant
- 8 Corps du vaporisateur
- 9 Volants

## ESPAÑOL

- 1 Cepillo (para remover)
- 2 Cabezal de vapor
- 3 Mango
- 4 Manguera de vapor
- 5 Varilla (soporta la manguera de vapor)
- 6 Botella
- 7 Soporte de la varilla
- 8 Cuerpo del vaporizador
- 9 Ruedas



# VIVIO 150GC PARTS IDENTIFIER

## ENGLISH

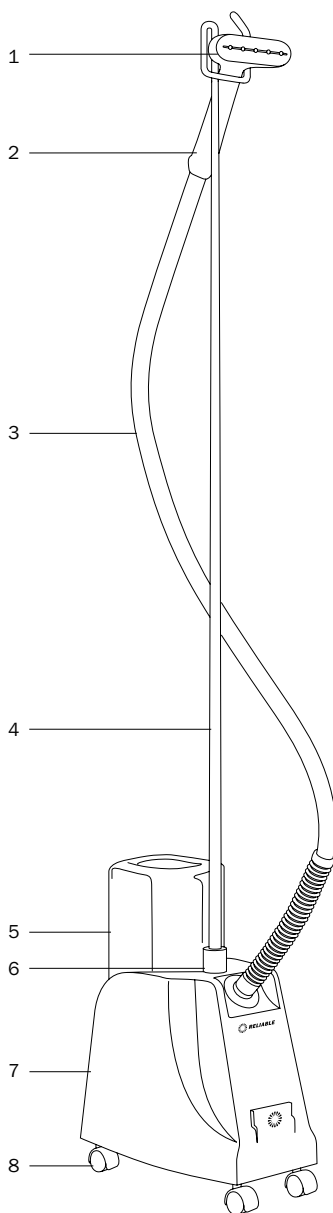
- 1 Metal steam head
- 2 Wood handle
- 3 Steam hose
- 4 Rod set (supports steam hose)
- 5 Bottle
- 6 Rod set holder
- 7 Body of steamer
- 8 Wheels

## FRANÇAIS

- 1 Collecteur de vapeur métallique
- 2 Manette en bois
- 3 Boyau de vapeur
- 4 Ensemble de tirant (soutient le boyau de vapeur)
- 5 Bouteille
- 6 Support pour ensemble de tirant
- 7 Corps du vaporisateur
- 8 Volants

## ESPAÑOL

- 1 Cabezal de vapor metálico
- 2 Mango de madera
- 3 Manguera de vapor
- 4 Varilla (soporta la manguera de vapor)
- 5 Botella
- 6 Soporte de la varilla
- 7 Cuerpo del vaporizador
- 8 Ruedas



VIVIO 100GC & VIVIO 150GC  
INSTRUCTION MANUAL  
ENGLISH

Thank you for purchasing the Reliable™ Vivio 100GC/Vivio 150GC garment steamer. Please follow the instructions carefully. With proper care and maintenance, your steamer will provide years of dependable service.

## IMPORTANT SAFETY INSTRUCTIONS

Your Reliable™ Vivio 100GC/Vivio 150GC steamer is made for professional and home use. Please follow these basic instructions to ensure your safety:

- Read all instructions before using the steamer.
- Use the steamer for its intended use only.
- In order to prevent harm, when the steamer begins to steam, be sure to face the steam head away from your body.
- To protect against electrical shock, do not immerse the steamer in water or other liquids.
- To disconnect the plug from the wall outlet, gently remove the plug (do not pull on the cord).
- Do not allow the cord to touch a hot surface. After use, allow to completely cool before storage.
- When filling with water, emptying or while not in use, always make sure that the steamer is disconnected.
- Make sure the power switch is in the off position when plugging or unplugging the unit from the wall circuit.
- Before turning the power switch on, make sure the water bottle has been filled.
- Do not operate the garment steamer with a damaged cord, plug or if the steamer has been dropped or damaged. This will void any and all warranties. Please contact the place of purchase for repair procedure.
- Close supervision is necessary for any steamer being used by or near children. Do not leave the steamer unattended while connected
- Caution must be used when the steamer is on, as some parts can get very hot. Please use care when you turn a steamer upside down as there may be hot water in the reservoir.
- Never steam near a person's body, as the steam is extremely hot.
- If an extension cord is necessary, use a 15 amp heavy-duty grounded extension cord only.

## FEATURES & PERFORMANCE

- One-gallon (3.8L) water capacity
- Heavy-duty brass heating element
- Super-flex™ steam hose
- Bottle won't fall off steamer
- No need to empty steamer after each use
- Automatic shut-off feature with thermal fuse
- Stores upright in a small space
- Steam head - 2x the thickness of other brands (Vivio 100GC model)
- Removable brush (Vivio 100GC model)
- Metal head with wood handle (Vivio 150GC model)
- Easy roll casters for maneuverability

## HOW TO STEAM

Fabric care professionals know and appreciate the value of steam for gently de-wrinkling all type of fabrics. Fabric steaming is fast and safe, and has a myriad of applications including clothing, upholstery, (auto and home) window fashions, and linens. Your Reliable Vivio 100GC/Vivio 150GC garment steamer has been designed to provide the best quality steam for these tasks. Here are a few tips:

1. It is important to make sure that the steam hose is in an upright (vertical) position so that any condensation can flow back to the steamer. If you do have to steam in a low position it is suggested that you frequently lift the steam head up so that the hose is extended.
2. For very long articles light pants or coats, it might be helpful to put the garment on a hanger and place the hanger on the top of a doorframe (or any high shelf that would accommodate a hanger).
3. This will allow you to steam higher up, and reduce the chance of condensation forming in the steam hose.
4. It may be helpful to gently pull the bottom of the garment (hem) to allow the steam to penetrate the fabric and release the wrinkles. This may be particularly useful at the seam of a garment.
5. It is not necessary to "push" the steam head onto the fabric. Lightly touching the material is all that is usually needed. For fabrics with a nap (corduroy, velvet, velour), the brush that is included with the Vivio 100GC model is very helpful for refreshing the fabric while protecting the nap of the fabric.

## HOW TO STEAM CONTINUED;

6. Some garments may react better if they are steamed from the inside.
7. Retail clothing stores know the advantage of having a garment steamer on the sales floor, ready for quick touch ups to make the garment look like new again. While you can easily store the Vivio 100GC/Vivio 150GC when not in use (the water should be drained from the unit if it will be stored for a long period of time) the best way to use the steamer is like the pros. Have it in a convenient spot where you will use it the most frequently. For some people that would be in their laundry room, for others it's in their bedroom. Because the Vivio 100GC/Vivio 150GC heats up so quickly (less than one minute) it is the perfect solution to the un-wearable wrinkled blouse or sweater. Plug it in, turn it on, sixty seconds later a few waves of the steam head and you are looking your best... everyday.

## DIRECTIONS FOR USE

The Vivio 100GC/Vivio 150GC is easy to use, and easy to set up.

1. The 3-piece rod set that holds up the steam head needs to be screwed together. When done, place the rod set into the device that holds it in place.
2. With the supplied wrench, attach the hose to the body of the steamer and tighten until it is snug.
3. The same wrench can also be used for tightening the device that holds the rod set. The steam head can be placed in the upper portion of the rod set until it is ready for use.
4. Remove the cap from the water bottle. Fill the water bottle with regular tap or distilled water; replace the cap and invert the bottle, placing it in the body of the steamer.
5. Always make sure there is water in the bottle. **DO NOT ALLOW THE STEAMER TO RUN DRY.**
6. Turn the unit on, wait for about sixty seconds for the steam to start.
7. It is a good idea to periodically pour old water out of the steamer to avoid mineral build-up.

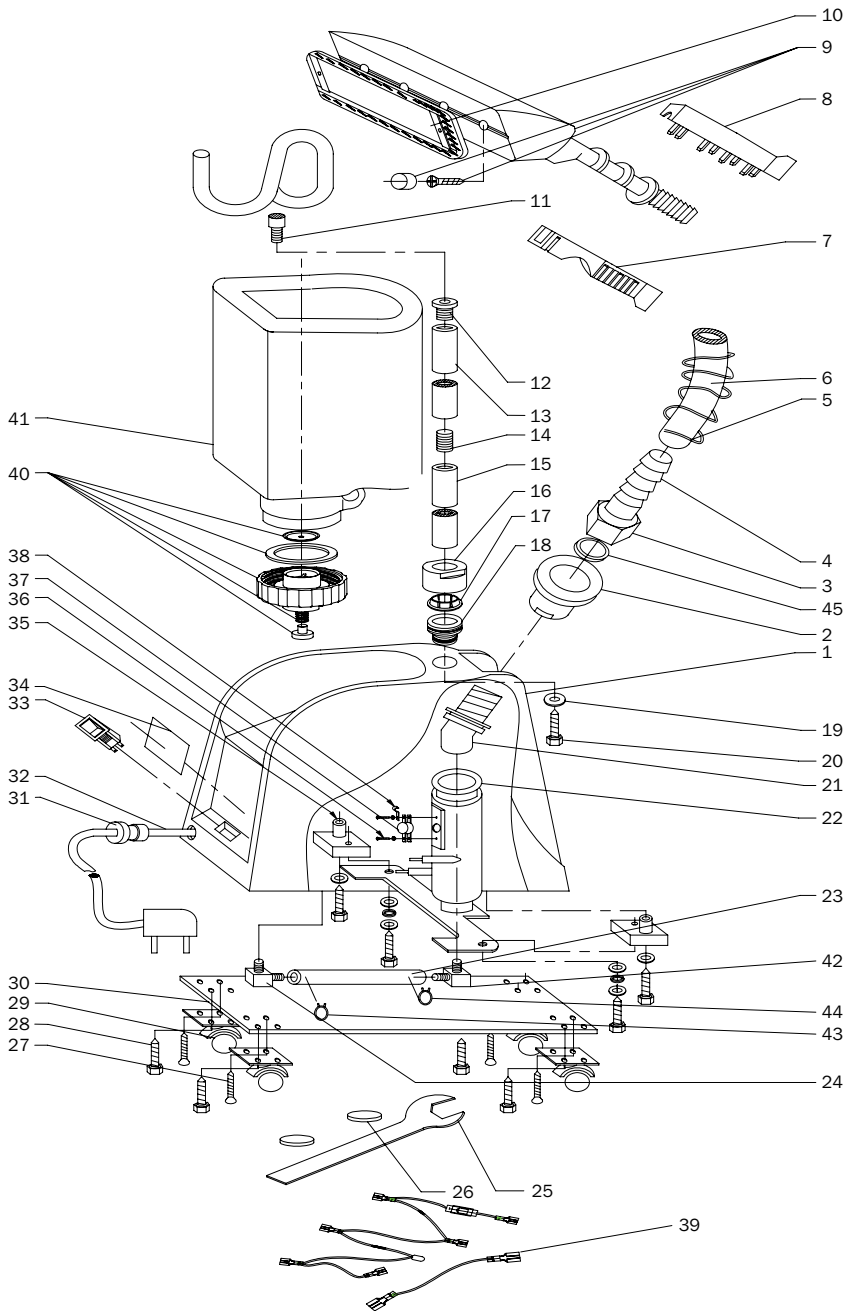
*NOTE: If rinsing the unit does not improve the performance, the steamer may require more thorough cleaning. This must be done by an authorized service center only, or the warranty will be void.*



## TROUBLESHOOTING

Do not operate the garment steamer with a damaged cord, plug or if the steamer has been dropped or damaged. To avoid risk of electric shock, do not disassemble or attempt to repair the unit on your own. Return the unit to Reliable Corporation (see warranty) for examination, repair or replacement.

PROBLEM	POSSIBLE CAUSES	REMEDY
Steamer does not get hot.	<ol style="list-style-type: none"><li>1. Steam unit is not plugged in or turned on.</li><li>2. Automatic shut-off has engaged. The water bottle is empty and the reservoir has drained.</li></ol>	<ol style="list-style-type: none"><li>1. Plug the steamer in. Turn it on.</li><li>2. Push the on/off switch to the off position. Fill the water bottle and fit it in place. Turn on.</li></ol>
The unit is not producing steam.	<ol style="list-style-type: none"><li>1. Water level is too low.</li><li>2. Element may not be functioning.</li></ol>	<ol style="list-style-type: none"><li>1. Push the on/off switch to the off position. Refill the water bottle and fit it in place. Turn on.</li><li>2. Replace heating element.</li></ol>
Unit produces little steam and cycles on/off.	<ol style="list-style-type: none"><li>1. Unit is dirty and requires cleaning.</li><li>2. The thermostat may be defective.</li></ol>	<ol style="list-style-type: none"><li>1. Throw the old water out and flush the unit.</li><li>2. Replace thermostat.</li></ol>
The switch light does not illuminate when the switch is turned to the on position.	<ol style="list-style-type: none"><li>1. Switch is not working.</li><li>2. Cord is not good.</li><li>3. Fuse wire is bad.</li><li>4. The outlet may not have power.</li></ol>	<ol style="list-style-type: none"><li>1. Replace part.</li><li>2. Replace part.</li><li>3. Replace part.</li><li>4. Try plugging into a different outlet.</li></ol>
Water drips from nozzle.	<ol style="list-style-type: none"><li>1. Condensation has formed inside the steamer hose.</li></ol>	<ol style="list-style-type: none"><li>1. Hold the hose upright and allow to drain back into the base of the unit.</li></ol>

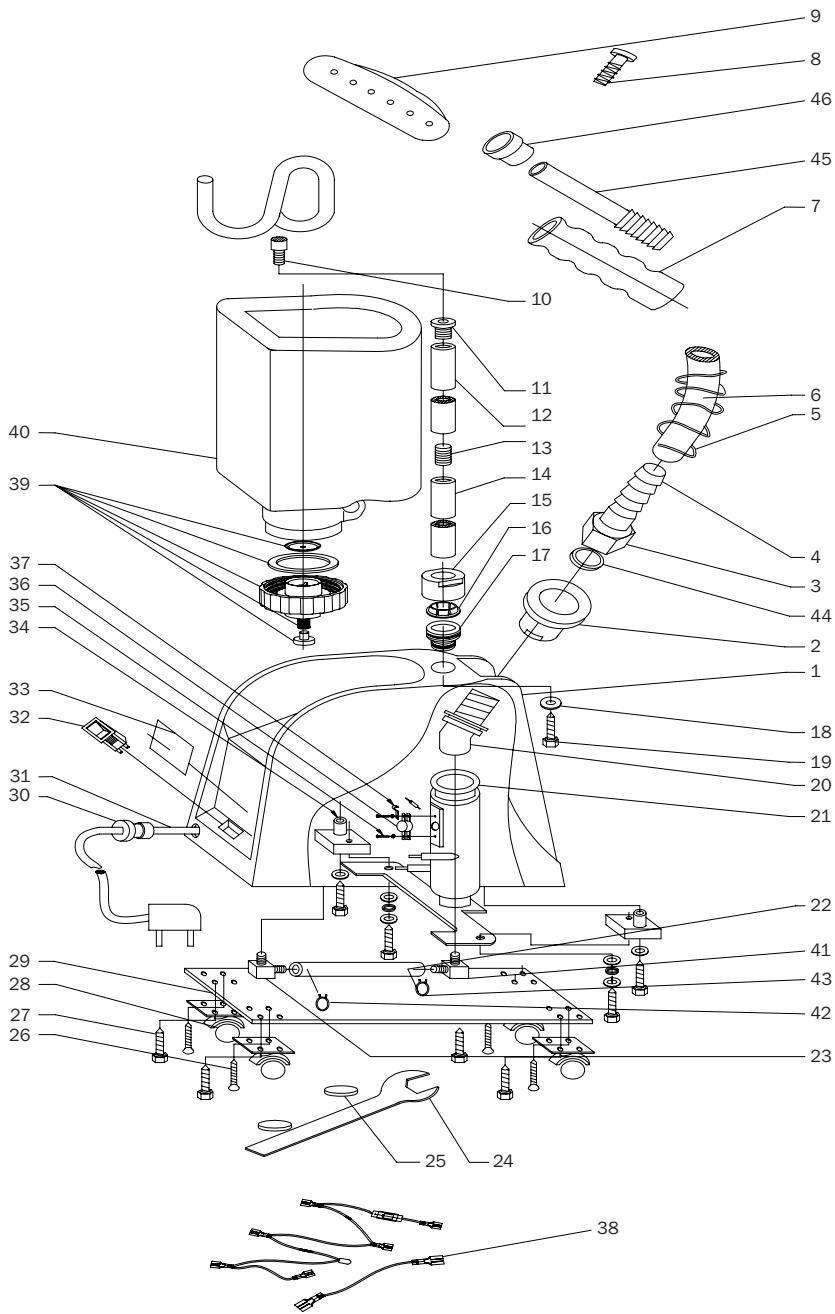


# VIVIO 100GC PARTS LIST

REF. NO.	PART NUMBER	DESCRIPTION
1	HS-3	Outer Housing
2	HS-9	Cap
3	HS-10	Hose Barb Nut
4	HS-11	Hose Barb
5	HS-12	Spring
6	HS-14W	Hose
7	HS-20	Handle Cover Bottom
8	HS-21	Handle Cover Top
9	HS-22/23	Steam Head
10	HS-32	Brush
11	HS-19	Hanger Rod Top
12	HS-18	Nut Cap
13	HS-17	Hanger Rod Middle
14	HS-16	Threaded Connector
15	HS-24	Hanger Rod Bottom
16	HS-13	Rod Base
17	HS-29	Rod Base washer
18	HS-28	Rod Base Fitting
19	HS-8	Washer
20	GB818-85	Screw
21	HS-7	Element Cap
22	HS-2-0	Heater element
23	HS-1-0	Silicone Tubing
24	HS-4	Elbow Connector
25	HS-SP	Spanner
26	HS-MAG	Magnet
27	GB845-85	Screw
28	GB5285-85	Screw
29	HS-A-6	Caster
30	HS-1	Base Plate
31	HS-2W	Cord Bushing
32	HS-A-3	Power Cord
33	HS-A-1	On/Off Switch
34	HS-27W	Name Plate
35	HS-25	Footer
36	GB818-85	Screw
37	HS-A-2	Thermostat
38	HS-A-5	Clamp
39	HS-A-4	Fuse
40	HS-5	Bottle Cap
41	HS-15	Water Bottle
42	HS-4	Elbow (same as HS-4)
43,44	HS-CLIP	Clip
45	HS-SEAL	Seal

## ASSEMBLIES: NOT SHOWN IN DIAGRAM

HHC	Plastic Head and Handle Complete
HSBBC	Plastic Head/Handle w/Hose Complete
HSMBBC	Metal Head w/Hose Complete
HS-BR	Hanger Rod Complete



# VIVIO 150GC PARTS LIST

REF. NO.	PART NUMBER	DESCRIPTION
1	HS-3	Outer Housing
2	HS-9	Cap
3	HS-10	Hose Barb Nut
4	HS-11	Hose Barb
5	HS-12	Spring
6	HS-14W	Hose
7-9,45,46	METALH	Metal Head w/Wood Handle
10	HS-19	Hanger Rod Top
11	HS-18	Nut Cap
12	HS-17	Hanger Rod Middle
13	HS-16	Threaded Connector
14	HS-24	Hanger Rod Bottom
15	HS-13	Rod Base
16	HS-29	Rod Base washer
17	HS-28	Rod Base Fitting
18	HS-8	Washer
19	GB818-85	Screw
20	HS-7	Element Cap
21	HS-2-0	Heater element
22	HS-1-0	Silicone Tubing
23	HS-4	Elbow Connector
24	HS-SP	Spanner
25	HS-MAG	Magnet
26	GB845-85	Screw
27	GB5285-85	Screw
28	HS-A-6	Caster
29	HS-1	Base Plate
30	HS-2W	Cord Bushing
31	HS-A-3	Power Cord
32	HS-A-1	On/Off Switch
33	HS-27W	Name Plate
34	HS-25	Footer
35	GB818-85	Screw
36	HS-A-2	Thermostat
37	HS-A-5	Clamp
38	HS-A-4	Fuse
39	HS-5	Bottle Cap
40	HS-15	Water Bottle
41	HS-4	Elbow (same as HS-4)
42,43	HS-CLIP	Clip
44	HS-SEAL	Seal

## ASSEMBLIES: NOT SHOWN IN DIAGRAM

HHC	Plastic Head and Handle Complete
HSHHC	Plastic Head/Handle w/Hose Complete
HSMHHC	Metal Head w/Hose Complete
HS-HR	Hanger Rod Complete

# RELIABLE CORPORATION 3-YEAR PRODUCT WARRANTY POLICY FOR THE VIVIO GARMENT STEAMER (MODEL 100GC + 150GC)



Reliable Corporation (“Reliable”) warrants to the original purchaser of the garment steamer noted above from Reliable (the “Vivio”) that for a period of three (3) years from the date of purchase it will be free from defects in materials and workmanship when utilized for normal use by the original purchaser only.

Subject to the conditions and limitations set forth herein, Reliable will either repair or replace any part of a Vivio that proves defective by reason of improper workmanship or materials. If the defective Vivio is no longer available and cannot be repaired effectively or replaced with an identical model, Reliable shall replace the defective machine with a current Reliable machine of equal or greater value. Replacement products will be provided by Reliable on an exchange basis, and will be either new or refurbished to be functionally equivalent to new. If Reliable is unable to replace a Vivio, it will refund the current value of that Reliable machine at the time the warranty claim is made.

This limited warranty does not cover any damage to the Vivio that results from improper installation, accident, abuse, misuse, unreasonable use, natural disaster, abnormal mechanical or environmental conditions or any unauthorized disassembly, repair or modification. This limited warranty does not extend to any indirect, consequential or incidental damages that may be suffered by a user from the use of the Reliable Vivio, including without limitation, any liability for third party claims for damage, and is limited to the amount paid by the original purchaser for the Vivio with respect to which this limited warranty protection applies. This limited warranty does not apply with respect to products that have been altered or for products not purchased directly from Reliable or a dealer authorized by Reliable to sell the Reliable Vivio.

This limited warranty is the only warranty that applies to the Reliable Vivio garment steamer, supersedes any and all terms that may be contained in any other document or purchase order and may not be altered or amended except expressly in writing by Reliable.

To obtain a repair or replacement under the terms of this warranty, please contact our customer service group at 1 800 268 1649 or at [support@reliablecorporation.com](mailto:support@reliablecorporation.com). You will be required to submit an original receipt via fax or e-mail. The receipt must reflect that you are the original purchaser, the product was bought directly from Reliable or from an authorized Reliable dealer and that the warranty claim is being made in compliance with the terms set out in this document or any subsequent document issued by Reliable in connection with this policy. You will be issued a return authorization number (RA#) and asked to ship the defective product together with proof of purchase and RA#, prepaid insured to the following address: Reliable Corporation, 5-100 Wingold Ave, Toronto, ON M6B 4K7.

Freight collect shipments will be refused. The risk of loss or damage in transit will be borne by the customer. Once Reliable receives the defective product, it will initiate the repair or replacement process.

If you have any questions regarding this warranty, you may write to:

Reliable Corporation  
100 Wingold Avenue, Unit 5  
Toronto, Ontario  
Canada M6B 4K7  
[www.reliablecorporation.com](http://www.reliablecorporation.com)



VIVIO 100GC & VIVIO 150GC  
GUIDE D'UTILISATION  
FRANÇAIS

Merci d'avoir acheté un centrale vapeur Reliable<sup>MC</sup> Vivio 100GC/Vivio 150GC. Veuillez suivre les consignes suivantes attentivement. Prenez bien soin de votre défroisseur et de son entretien afin de lui assurer plusieurs années de service fiable.

## IMPORTANTES CONSIGNES DE SÉCURITÉ

Votre défroisseur Reliable<sup>MC</sup> Vivio 100GC/Vivio 150GC est construit pour l'usage professionnel ainsi que ménager. Suivez toujours les précautions suivantes pour assurer votre sécurité :

- Lire toutes les instructions avant l'utilisation de votre défroisseur.
- N'utilisez votre défroisseur que pour les applications prévues.
- Pour éviter les blessures, assurez-vous de pointer le diffuseur de vapeur loin du corps aussitôt que la vapeur commence à s'échapper de l'appareil.
- Pour réduire tout risque de choc électrique, n'immersez jamais votre appareil dans l'eau ou tout autre liquide.
- Ne débranchez jamais le défroisseur en tirant sur le cordon électrique, saisissez plutôt la fiche d'alimentation et retirez-la de la prise de courant.
- Protégez le cordon des surfaces chaudes. Après chaque utilisation, laissez l'appareil refroidir avant de le ranger.
- Assurez-vous que l'appareil est débranché lors du remplissage et du vidage ainsi que lorsque l'appareil n'est pas utilisé.
- Assurez-vous que l'interrupteur est en position d'arrêt (OFF) avant de brancher ou de débrancher l'appareil d'une prise de courant.
- Assurez-vous que le bac d'eau a été rempli avant de mettre le défroisseur en marche.
- N'utilisez pas le centrale vapeur si le cordon ou la fiche est endommagé ou si l'appareil a été échappé ou endommagé. Toute garantie ne sera plus valable. Veuillez contacter le magasin d'achat pour toute réparation nécessaire.
- Une étroite surveillance est nécessaire lorsque cet appareil est utilisé par ou près d'un enfant. Ne jamais laisser un appareil branché sans surveillance.
- Soyez prudent lorsque le défroisseur est en marche puisque certains de ses composants peuvent devenir très chauds. Veuillez inverser le défroisseur avec le plus grand soin puisque le réservoir pourrait encore contenir de l'eau chaude.
- N'utilisez jamais le défroisseur près du corps puisque la vapeur est extrêmement chaude.
- Si une rallonge est nécessaire, n'utilisez qu'une rallonge robuste de 15 A avec mise à la terre.



# CARACTÉRISTIQUES ET PERFORMANCE

- Capacité d'eau - 3.8 litres (1 Gal)
- Élément chauffant durable en laiton
- Tuyau à vapeur Super-flex<sup>MC</sup>
- Bac d'eau restant bien en place
- Aucun besoin de vider l'appareil après chaque usage
- Arrêt automatique de sécurité avec fusible thermique
- Se range verticalement dans un espace restreint
- Diffuseur de vapeur - 2 fois l'épaisseur d'autres marques (modèle Vivio 100GC)
- Brosse amovible (modèle Vivio 100GC)
- Diffuseur en métal avec poignée en bois (modèle Vivio 150GC)
- Roulettes facilitant le déplacement

## COMMENT DÉFROISSER

Les professionnels d'entretien de textiles connaissent et apprécient la valeur de la vapeur pour enlever doucement les plis de toutes sortes de tissus. Le défroissage de tissus grâce à la vapeur a plusieurs applications telles les vêtements, les tissus d'ameublement (auto et maison), les tentures et les literies tout en étant rapide et sécuritaire. Votre centrale vapeur Reliable Vivio 100GC/Vivio 150GC a été conçu pour offrir la meilleure qualité de vapeur requise pour ces tâches. Voici quelques suggestions:

1. Il est important de s'assurer que le tuyau à vapeur soit dans une position verticale pour que toute condensation s'égoutte dans le réservoir. Si vous devez travailler dans une position horizontale, il est préférable de lever le diffuseur de vapeur fréquemment afin que le tuyau puisse s'égoutter.
2. Pour des articles longs tels des pantalons ou un manteau, il est suggéré de les placer sur un porte-vêtement soutenu par le haut d'un cadre de porte (ou toute étagère haute pouvant soutenir un porte-vêtement).
3. Cette méthode garde le tuyau de vapeur vertical et permet de réduire la formation de condensation dans ce dernier.
4. Il est suggéré de tirer doucement sur le bas du vêtement (ourlet) pour permettre à la vapeur de pénétrer le tissu et relâcher les plis. Cela pourrait être utile particulièrement près des coutures d'un vêtement.
5. Il n'est pas nécessaire de forcer le diffuseur dans le tissu. Il est habituellement suffisant de toucher le matériel légèrement. La brosse qui accompagne le modèle Vivio 100GC est très utile pour rafraîchir les tissus avec poil (velours, velours côtelé, velours épais) tout en protégeant le poil du tissu.

## COMMENT DÉFROISSER CONTINUÉ...

6. Certains vêtements semblent mieux se défroisser à partir de l'intérieur.
7. Les magasins de vêtements reconnaissent les bénéfices d'avoir un défroisseur à portée de la main pour les dernières retouches offrant une présentation parfaite à tous leurs vêtements. Bien que vous pouvez ranger le Vivio 100GC/Vivio 150GC avec de l'eau dans le réservoir entre les usages, il vaut mieux le vider pour un rangement prolongé. La meilleure façon de l'utiliser est d'imiter les professionnels. Le défroisseur devrait être gardé dans un endroit où il sera facile d'accès et où vous l'utiliserez fréquemment : pour certaines personnes, ce sera leur salle de lavages et pour d'autres, leur chambre à coucher. Puisqu'il se réchauffe tellement rapidement, le Vivio 100GC/Vivio 150GC est la solution idéale pour un vêtement qu'on ne peut porter tant il est froissé. Branchez le défroisseur, mettez-le en marche et soixante secondes plus tard il ne suffit que de quelques passes avec le diffuseur pour être à votre meilleur... comme toujours.

## MODE D'EMPLOI

Le Vivio 100GC/Vivio 150GC est facile d'emploi et simple à assembler.

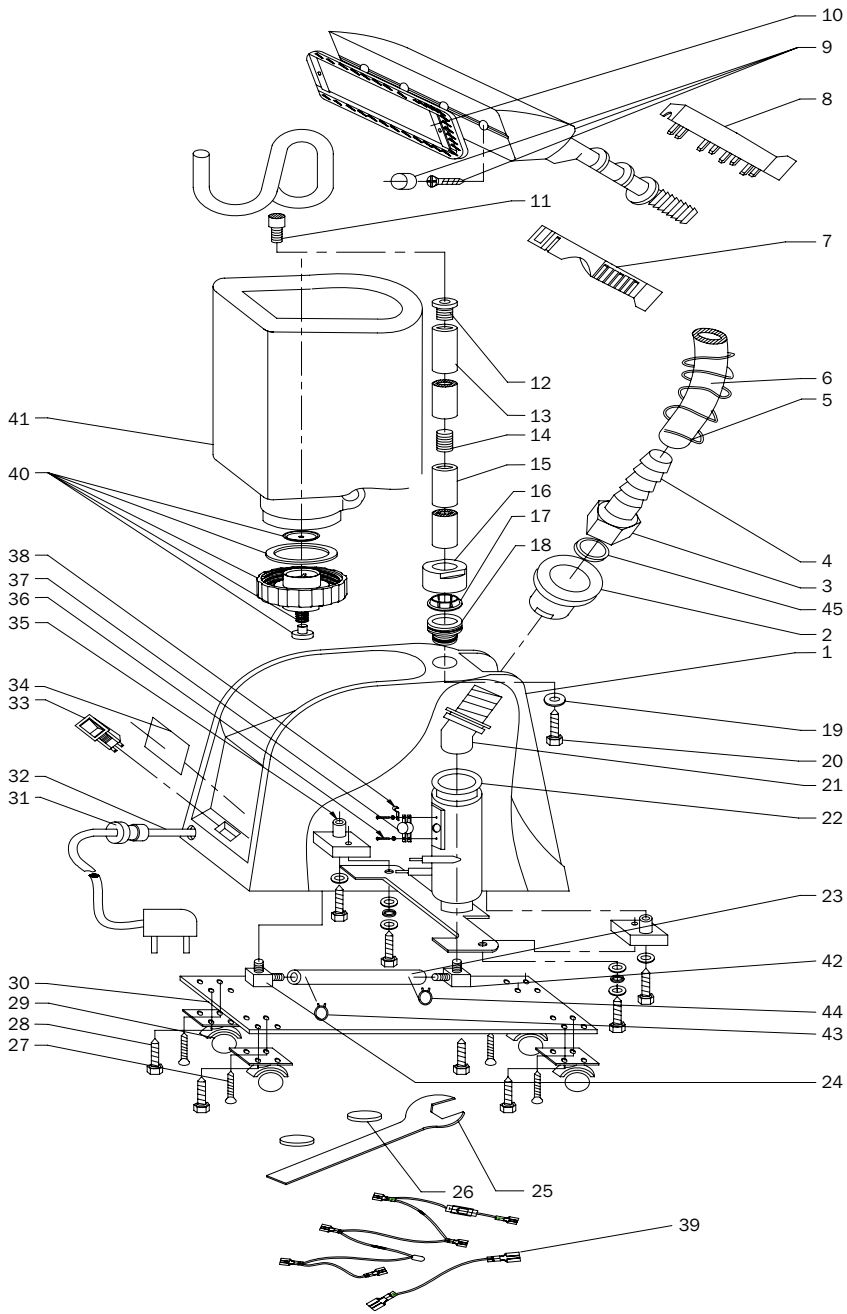
1. Les trois tiges qui soutiennent le diffuseur doivent être vissées ensemble. Ensuite, placez les tiges assemblées dans le dispositif les tenant en place.
2. Attachez le tuyau au corps du défroisseur à l'aide de la clé fournie et serrez jusqu'à ce qu'il soit bien ajusté.
3. La même clé peut être utilisée pour ajuster le dispositif tenant l'ensemble de tiges. Le diffuseur de vapeur peut être accroché à la partie supérieure de l'ensemble de tiges jusqu'à son utilisation.
4. Enlevez le bouchon du bac d'eau. Remplissez le bac avec de l'eau du robinet ou de l'eau distillée; replacer le bouchon et inversez le bac en le plaçant sur la base du défroisseur.
5. Assurez-vous toujours qu'il y a de l'eau dans le bac. **NE PERMETTEZ PAS AU DÉFROISSEUR DE MANQUER D'EAU.**
6. Mettez l'appareil en marche et attendez environ 60 secondes pour obtenir de la vapeur.
7. Il est préférable de vider l'eau sale du réservoir périodiquement afin d'éviter les dépôts minéraux.

*REMARQUE: Si un rinçage du défroisseur n'améliore pas sa performance, l'appareil peut nécessiter un nettoyage en profondeur. Ce service ne doit être effectué que par le personnel d'un centre de service après-vente autorisé par le fabricant ou la garantie ne sera plus valable.*

# DÉPANNAGE

N'utilisez jamais le centrale vapeur si le cordon ou la fiche de l'appareil est endommagé ou si l'appareil a été échappé ou endommagé. N'essayez jamais de démonter ou de réparer vous-même le défroisseur afin d'éviter tout risque de choc électrique. Pour inspection, réparation ou remplacement, veuillez apporter l'appareil défectueux à Reliable Corporation (voir garantie).

PROBLÈME	CAUSE POSSIBLE	SOLUTION
Le défroisseur ne se réchauffe pas.	<ol style="list-style-type: none"><li>1. L'appareil n'est pas branché ou en position de marche (ON).</li><li>2. L'arrêt automatique s'est déclenché. Le bac d'eau est vide et le réservoir s'est égoutté.</li></ol>	<ol style="list-style-type: none"><li>1. Branchez l'appareil. Mettez l'appareil en marche.</li><li>2. Mettez l'interrupteur en position d'arrêt (OFF). Remplissez le bac d'eau et mettez-le en place. Mettez l'appareil en marche.</li></ol>
L'appareil ne produit pas de vapeur.	<ol style="list-style-type: none"><li>1. Le niveau d'eau est trop bas.</li><li>2. Il est possible que l'élément ne fonctionne pas.</li></ol>	<ol style="list-style-type: none"><li>1. Mettez l'interrupteur en position d'arrêt (OFF). Remplissez le bac d'eau et mettez-le en place. Mettez l'appareil en marche.</li><li>2. Remplacez l'élément chauffant.</li></ol>
L'appareil produit peu de vapeur et alterne entre l'état de marche (ON) et d'arrêt (OFF).	<ol style="list-style-type: none"><li>1. L'appareil est sale et nécessite un nettoyage.</li><li>2. Le thermostat peut être défectif.</li></ol>	<ol style="list-style-type: none"><li>1. Jetez l'eau sale et nettoyez l'unité à grande eau.</li><li>2. Remplacez le thermostat.</li></ol>
Le voyant de mise en circuit ne s'allume pas lorsque l'interrupteur est en position de marche (ON).	<ol style="list-style-type: none"><li>1. L'interrupteur ne fonctionne pas.</li><li>2. Le cordon est endommagé.</li><li>3. Le fil fusible est défectueux.</li><li>4. La prise de courant n'est peut-être pas alimentée de courant.</li></ol>	<ol style="list-style-type: none"><li>1. Remplacez la pièce.</li><li>2. Remplacez la pièce.</li><li>3. Remplacez la pièce.</li><li>4. Essayez de brancher l'appareil dans une prise de courant différente.</li></ol>
De l'eau dégorge du diffuseur de vapeur.	<ol style="list-style-type: none"><li>1. De la condensation s'est formée à l'intérieur du tuyau à vapeur.</li></ol>	<ol style="list-style-type: none"><li>1. Tenir le tuyau en position verticale pour permettre l'écoulement dans la base de l'appareil.</li></ol>

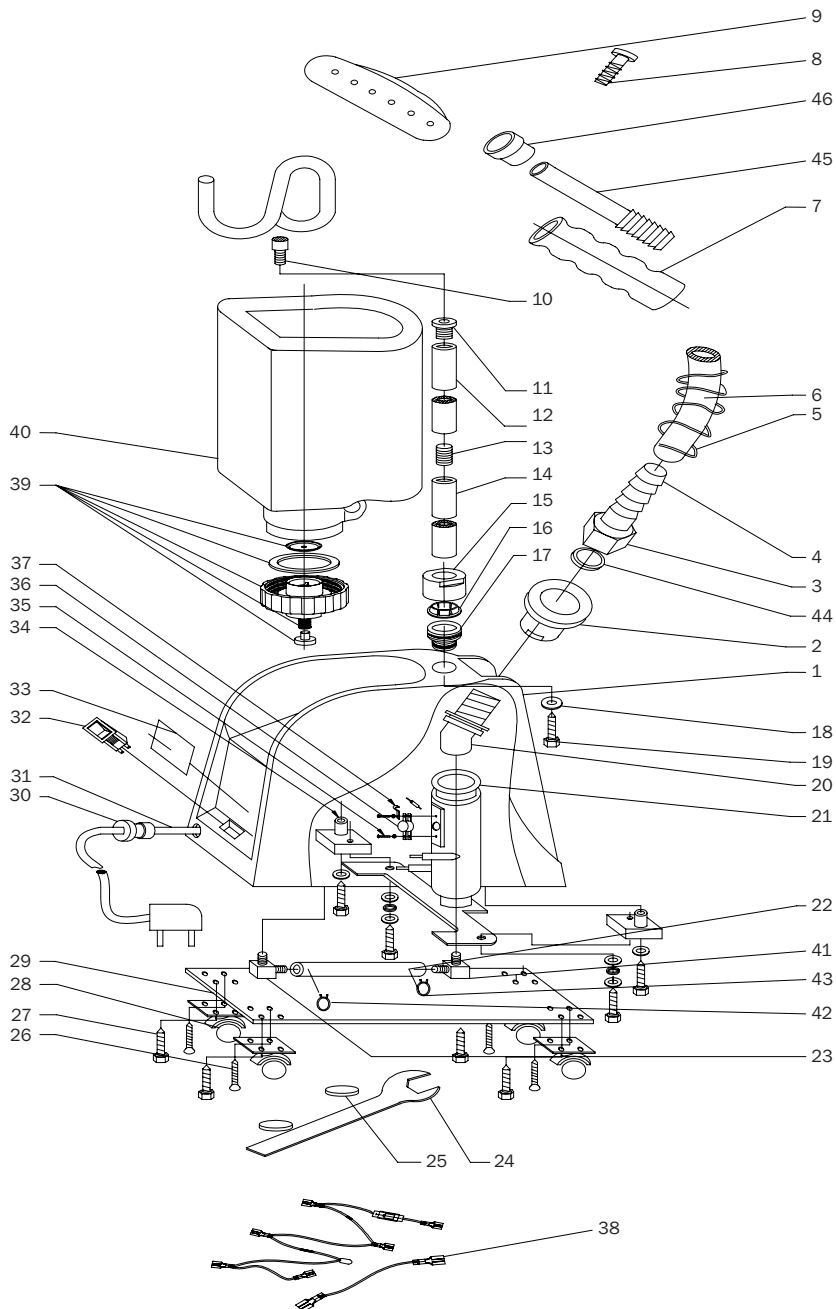


# VIVIO 100GC - LISTE DES PIÈCES

N° DE RÉF.	NUMÉRO DE PIÈCE	DESCRIPTION
1	HS-3	Boîtier extérieur
2	HS-9	Calotte
3	HS-10	Écrou cannelé pour boyau
4	HS-11	Cannelure de boyau
5	HS-12	Ressort
6	HS-14W	Boyau
7	HS-20	Poignée - plaque inférieure
8	HS-21	Poignée - plaque supérieure
9	HS-22/23	Collecteur de vapeur
10	HS-32	Brosse
11	HS-19	Tirant de suspension - supérieur
12	HS-18	Calotte d'écrou
13	HS-17	Tirant de suspension - médian
14	HS-16	Raccord fileté
15	HS-24	Tirant de suspension - inférieur
16	HS-13	Base de tirant
17	HS-29	Base de tirant - rondelle
18	HS-28	Base de tirant - Raccord
19	HS-8	Rondelle
20	GB818-85	Vis
21	HS-7	Calotte d'élément
22	HS-2-0	Élément chauffant
23	HS-1-0	Tubulure de silicone
24	HS-4	Raccord de coude
25	HS-SP	Tricoise
26	HS-MAG	Aimant
27	GB845-85	Vis
28	GB5285-85	Vis
29	HS-A-6	Roulette
30	HS-1	Plaque de fond
31	HS-2W	Rondelle du cordon
32	HS-A-3	Cordon d'alimentation
33	HS-A-1	Interrupteur
34	HS-27W	Plaque signalétique
35	HS-25	Pied
36	GB818-85	Vis
37	HS-A-2	Thermostat
38	HS-A-5	Bague de serrage
39	HS-A-4	Fusible
40	HS-5	Bouchon de bouteille
41	HS-15	Bouteille d'eau
42	HS-4	Coude (identique à HS-4)
43, 44	HS-CLIP	Étrangleur
45	HS-SEAL	Joint d'étanchéité

## JEUX : NON ILLUSTRÉS

HHC	Tête et manette en plastique - jeu complet
HSHHC	Tête et manette en plastique avec boyau - jeu complet
HSMHHC	Tête métallique avec boyau - jeu complet
HS-HR	Tirant de suspension - jeu complet



# VIVIO 150GC - LISTE DES PIÈCES

N° DE RÉF.	NUMÉRO DE PIÈCE	DESCRIPTION
1	HS-3	Boîtier extérieur
2	HS-9	Calotte
3	HS-10	Écrou cannelé pour boyau
4	HS-11	Cannelure de boyau
5	HS-12	Ressort
6	HS-14W	Boyau
7-9,45,46	METALH	Tête métallique avec manette en bois
10	HS-19	Tirant de suspension - supérieur
11	HS-18	Calotte d'écrou
12	HS-17	Tirant de suspension - médian
13	HS-16	Raccord fileté
14	HS-24	Tirant de suspension - inférieur
15	HS-13	Base de tirant
16	HS-29	Base de tirant - rondelle
17	HS-28	Base de tirant - Raccord
18	HS-8	Rondelle
19	GB818-85	Vis
20	HS-7	Calotte d'élément
21	HS-2-0	Élément chauffant
22	HS-1-0	Tubulure de silicone
23	HS-4	Raccord de coude
24	HS-SP	Tricoise
25	HS-MAG	Aimant
26	GB845-85	Vis
27	GB5285-85	Vis
28	HS-A-6	Roulette
29	HS-1	Plaque de fond
30	HS-2W	Rondelle du cordon
31	HS-A-3	Cordon d'alimentation
32	HS-A-1	Interrupteur
33	HS-27W	Plaque signalétique
34	HS-25	Pied
35	GB818-85	Vis
36	HS-A-2	Thermostat
37	HS-A-5	Bague de serrage
38	HS-A-4	Fusible
39	HS-5	Bouchon de bouteille
40	HS-15	Bouteille d'eau
41	HS-4	Coude (identique à HS-4)
42,43	HS-CLIP	Étrangleur
44	HS-SEAL	Joint d'étanchéité

## JEUX : NON ILLUSTRÉS

HHC	Tête et manette en plastique - jeu complet
SHHC	Tête et manette en plastique avec boyau - jeu complet
HSMHC	Tête métallique avec boyau - jeu complet
HS-HR	Tirant de suspension - jeu complet

# POLITIQUE DE GARANTIE DE 3 ANS DE RELIABLE CORPORATION CONCERNANT LE DÉFROISSEUR VAPEUR VIVIO (MODÈLE 100GC + 150GC)

Reliable Corporation (« Reliable ») garantit à l'acheteur initial du défroisseur vapeur de Reliable spécifié ci-avant (le « Vivio »), pour une période de trois (3) ans à compter de la date d'achat originale, que ce dernier sera exempt de tout défaut de pièce et de fabrication dans le cadre d'une utilisation normale par l'acheteur initial uniquement.

Sous réserve des conditions et limitations spécifiées dans les présentes, Reliable procédera à la réparation ou au remplacement d'un Vivio si ce dernier s'avère défectueux en raison d'un problème de pièce ou de fabrication. Si le Vivio défectueux n'est plus disponible et ne peut pas être réparé efficacement ni remplacé par un modèle identique, Reliable procédera au remplacement de la machine défectueuse par une machine Reliable actuelle d'une valeur égale ou supérieure. Les produits de remplacement seront fournis par Reliable à titre d'échange, et sont soit neufs, soit remis en état pour être fonctionnellement équivalents aux équipements neufs. Si Reliable est dans l'incapacité de remplacer un Vivio, il remboursera la valeur actuelle de la machine Reliable au moment où la réclamation de garantie est introduite.

La présente garantie limitée ne couvre pas les dommages subis par le Vivio résultant d'une installation incorrecte, d'un accident, d'une utilisation inadéquate, d'une catastrophe naturelle, de conditions mécaniques ou environnementales anormales ou de tout(e) démontage, réparation ou modification. La présente garantie limitée ne s'applique pas aux dommages indirects, consécutifs ou accessoires pouvant être subis par un utilisateur dans le cadre de l'utilisation du Vivio Reliable, y compris, sans limitation, toute responsabilité concernant les réclamations de tierces parties concernant des dommages, et se limite au montant payé par l'acheteur original du Vivio et au champ d'application de la présente garantie limitée. La présente garantie limitée ne s'applique pas aux produits ayant été modifiés ou aux produits non achetés directement auprès de Reliable ou d'un revendeur agréé par Reliable pour la vente du Vivio Reliable.

La présente garantie limitée est la seule garantie qui s'applique au défroisseur vapeur Vivio Reliable et remplace les conditions pouvant être présentées par tout autre document ou bon de commande et ne peut pas être modifiée ou amendée sauf expressément et par écrit de la part de Reliable.

Pour obtenir une réparation ou un remplacement dans le cadre de la présente garantie, veuillez contacter notre groupe d'assistance à la clientèle au 1 800 268 1649 ou à l'adresse support@reliablecorporation.com. Il vous sera demandé de fournir un reçu original par télécopie ou courrier électronique. Le reçu doit indiquer que vous êtes l'acheteur original, que le produit a été acheté directement auprès de Reliable ou d'un revendeur agréé par Reliable et que la réclamation de garantie est réalisée conformément aux conditions spécifiées dans le présent document ou tout document ultérieur fourni par Reliable en rapport avec la présente politique. Un numéro d'autorisation de retour d'article (RA#) vous sera fourni et il vous sera demandé d'expédier le produit défectueux accompagné de la preuve d'achat et du numéro RA#, par courrier préaffranchi à l'adresse suivante : Reliable Corporation, 5-100 Wingold Ave, Toronto, ON M6B 4K7.

Les frets payables à destination seront refusés. Le risque de perte ou de dégât lors du transport sera assumé par le client. Une fois que Reliable aura reçu le produit défectueux, le processus de réparation ou de remplacement sera mis en œuvre.

Si vous avez la moindre question concernant la présente garantie, veuillez écrire à :

Reliable Corporation  
100 Wingold Avenue, Unit 5  
Toronto, Ontario  
Canada M6B 4K7  
[www.reliablecorporation.com](http://www.reliablecorporation.com)





# VIVIO 100GC Y VIVIO 150GC MANUAL DE INSTRUCCIONES ESPAÑOL

Gracias por comprar el vaporizador de prenda Vivio 100GC/Vivio 150GC de Reliable®. Por favor siga las instrucciones cuidadosamente. Con el cuidado y mantenimiento adecuado, su vaporizador le proveerá servicio confiable durante años.

## INSTRUCCIONES IMPORTANTES DE SEGURIDAD

Su vaporizador de prenda Vivio 100GC/Vivio 150GC está fabricado para uso profesional y para el hogar. Por favor siga estas instrucciones básicas para cuidar su seguridad.

- Lea todas las instrucciones antes de usar su vaporizador.
- Sólo use el vaporizador para lo que está diseñado.
- Para evitar lesiones, cuando el vaporizador comience a emitir vapor, oriéntelo en dirección contraria a usted.
- Para evitar choques eléctricos, no sumerja el vaporizador en agua ni otros líquidos.
- Al desconectar el tomacorriente, jale suavemente del enchufe (no jale del cordón).
- No permita que el cordón haga contacto con superficies calientes. Después de usar la unidad, espere que se enfríe completamente antes de guardarla.
- Cerciórese que la unidad esté desenchufada del tomacorriente siempre que la llene de agua, la vacíe o no esté en uso.
- Cerciórese que el interruptor esté en posición de "Apagado" al enchufar o desenchufar la unidad del tomacorriente.
- Cerciórese que la botella de agua esté llena antes de encender la unidad.
- No opere el vaporizador si el cordón o su enchufe estuviesen dañados ni después que se haya caído o dañado; porque esto anulará su garantía. Para reparaciones, comuníquese con el establecimiento donde compró la unidad.
- Se requiere una supervisión estrecha si un niño usa cualquier vaporizador o si hay niños cerca cuando se usa. No desatienda el vaporizador mientras esté enchufado a la corriente.
- Se debe tener cuidado cuando el vaporizador esté encendido porque algunas de sus partes se calientan mucho. Tenga cuidado al invertir el vaporizador porque podría haber agua caliente en el reservorio.
- Nunca vaporice cerca del cuerpo de una persona porque el vapor es extremadamente caliente.
- Si fuese necesario usar un cordón de extensión, sólo use uno de 15 amperios con conexión a tierra.

# CARACTERÍSTICAS Y FUNCIONAMIENTO

- Capacidad para 3,8L (1 Gal) de agua.
- Elemento calentador de bronce reforzado.
- Manguera Súper-Flex® para vapor.
- La botella de agua no se caerá del vaporizador.
- No es necesario vaciar el vaporizador después de cada uso.
- Dispositivo de apagado automático con fusible térmico.
- Se guarda en posición vertical en un espacio pequeño.
- Cabezal vaporizador con el doble de espesor que las otras marcas (Modelo Vivio 100GC).
- Escobilla desmontable (Modelo Vivio 100GC).
- Cabezal aplicador de metal con mango de madera (Modelo Vivio 150GC).
- Ruedas para desplazamiento fácil.

## CÓMO SE VAPORIZA

Los profesionales dedicados al cuidado de las telas saben y aprecian el valor del vapor para desarrugar suavemente todo tipo de telas. La vaporización es rápida y segura, y se aplica a una infinidad de telas como ropa, tapices (automóviles y hogar), cortinas de moda, sábanas, manteles, etc. Su vaporizador Reliable Vivio 100GC y Vivio 150GC está diseñado para proveerle la mejor calidad de vaporización para estas tareas. He aquí algunos consejos:

1. Es importante mantener la manguera de vapor en posición vertical para que la condensación regrese al tanque del vaporizador. Si fuese necesario vaporizar en una posición baja, se sugiere levantar el cabezal aplicador con frecuencia para extender la manguera hacia arriba.
2. Podría ser útil colocar prendas largas como pantalones o abrigos en colgadores en el canto superior o marco de una puerta (o repisa alta que pueda acomodar el colgador).
3. Esto le permitirá vaporizar hacia arriba y reducir la condensación en la manguera de vapor.
4. Esto puede ser útil para jalar suavemente la parte inferior de la prenda para que el vapor penetre en la tela y deshaga las arrugas. Esto es especialmente útil en las costuras de las prendas.
5. No es necesario empujar el cabezal aplicador contra la tela. Usualmente sólo se necesita tocar la tela levemente con el cabezal vaporizador. Para las telas con pelo (corduroy, terciopelo, velour) la escobilla que se incluye con el vaporizador modelo Vivio 100GC es muy útil para refrescar la tela a la vez que se protegen los pelos de la tela.

## CÓMO SE VAPORIZA CONTINUADO;

6. Algunas prendas reaccionan mejor si se vaporizan desde el interior.
7. Algunas tiendas de ropa conocen la ventaja de disponer de vaporizadores en el piso de ventas para retoques rápidos que le devuelven la apariencia de nuevas. No obstante que el vaporizador Vivio 100GC o el Vivio 150GC puede guardarse fácilmente cuando no esté en uso, pero debe drenarse el agua si no se va usar por largo tiempo. La mejor forma para usar el vaporizador es como los profesionales, manteniéndolo en un lugar conveniente donde se usa más frecuentemente. Para algunas personas eso significa en la lavandería, pero para otros puede ser el dormitorio. Debido a que el vaporizador Vivio 100GC o el Vivio 150GC se calienta rápidamente (menos de un minuto) es la solución perfecta para desarrugar blusas y suéteres. Enchufe el vaporizador, enciéndalo y 60 segundos después pase el cabezal del vaporizador varias veces por la prenda y tendrá una buena apariencia todo el día.

## INSTRUCCIONES PARA EL USO

El vaporizador Vivio 100GC y el Vivio 150GC es fácil de usar y de armar.

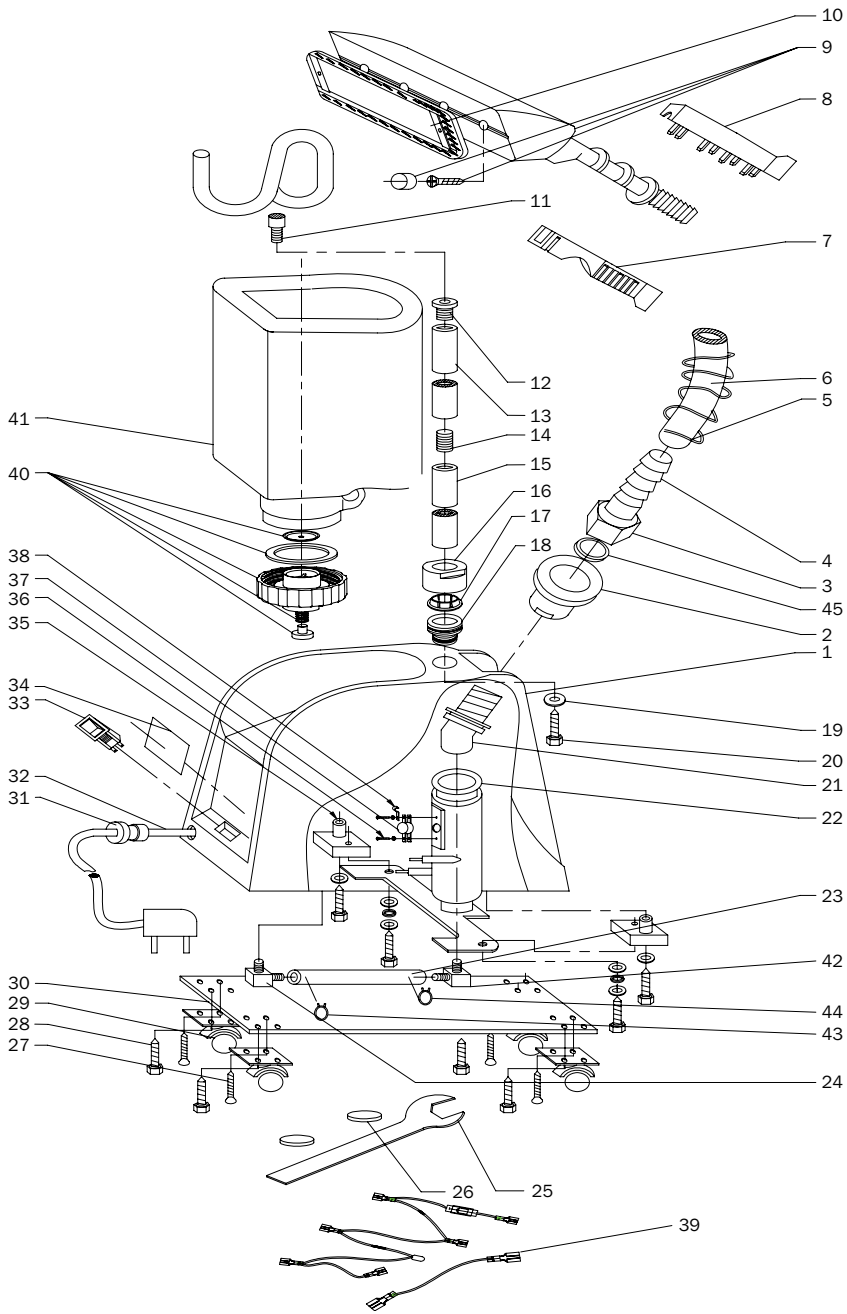
1. Las 3 piezas del soporte del cabezal aplicador deben unirse enroscándose. Luego coloque el soporte en el dispositivo que lo mantiene en posición.
2. Usando la llave provista, instale la manguera en el cuerpo del vaporizador y ajústela.
3. La misma llave puede usarse para ajustar el dispositivo que sujeta el soporte donde se coloca el cabezal (en la parte superior) hasta que esté listo para usarse.
4. Destape la botella y llénela de agua regular de la llave o de agua destilada, tape la botella, inviértala y colóquela en el cuerpo del vaporizador.
5. Siempre asegúrese que la botella contenga agua. **NO PERMITA QUE EL VAPORIZADOR SE QUEDE SECO.**
6. Encienda la unidad, espere por sesenta segundos para que produzca vapor.
7. Es buena idea vaciar periódicamente el agua vieja del vaporizador para evitar la formación de sarro.

*NOTA: Si lavar la unidad internamente no mejora su rendimiento, el vaporizador requiere una limpieza más profunda que sólo la puede hacer un centro de servicio autorizado, o se anulará la garantía.*

## DIAGNÓSTICO Y SOLUCIÓN DE PROBLEMAS

No opere el vaporizador de prenda si el cordón o su enchufe estuviesen dañados ni después que se haya caído o dañado; porque esto anulará su garantía. Para evitar el riesgo de choque eléctrico, no intente desarmar la unidad por su cuenta; devuélvala a Reliable Corporation para su inspección, reparación o reemplazo (vea la garantía).

PROBLEMA	CAUSAS POSIBLES	SOLUCIÓN
El vaporizador no calienta.	<ol style="list-style-type: none"><li>1. El vaporizador no está enchufado o encendido.</li><li>2. El interruptor automático está activado. La botella de agua está vacía y el reservorio se ha drenado.</li></ol>	<ol style="list-style-type: none"><li>1. Enchufe y encienda el vaporizador.</li><li>2. Presione el interruptor a la posición de apagado (OFF). Llene la botella de agua y colóquela en su posición. Encienda la unidad.</li></ol>
La unidad no produce vapor.	<ol style="list-style-type: none"><li>1. Nivel de agua muy bajo.</li><li>2. El elemento calentador podría estar defectuoso.</li></ol>	<ol style="list-style-type: none"><li>1. Presione el interruptor a la posición de apagado (OFF). Llene la botella de agua y colóquela en su posición. Encienda la unidad.</li><li>2. Reemplace el elemento calentador.</li></ol>
La unidad produce poco vapor y se apaga y enciende.	<ol style="list-style-type: none"><li>1. La unidad está sucia y requiere limpieza.</li><li>2. El termostato podría estar defectuoso.</li></ol>	<ol style="list-style-type: none"><li>1. Vacíe el agua vieja y lave la unidad internamente.</li><li>2. Reemplace el termostato.</li></ol>
La luz del interruptor no se enciende en posición de encendido.	<ol style="list-style-type: none"><li>1. El interruptor está defectuoso.</li><li>2. El cordón está defectuoso.</li><li>3. El fusible está defectuoso.</li><li>4. El tomacorriente de la pared podría no tener corriente.</li></ol>	<ol style="list-style-type: none"><li>1. Reemplazar la pieza.</li><li>2. Reemplazar la pieza.</li><li>3. Reemplazar la pieza.</li><li>4. Pruebe enchufar a otro tomacorriente.</li></ol>
Gotea agua de la boquilla.	<ol style="list-style-type: none"><li>1. El vapor se ha condensado dentro de la manguera.</li></ol>	<ol style="list-style-type: none"><li>1. Sostenga la manguera derecha hacia arriba para que el agua drene de regreso a la unidad.</li></ol>

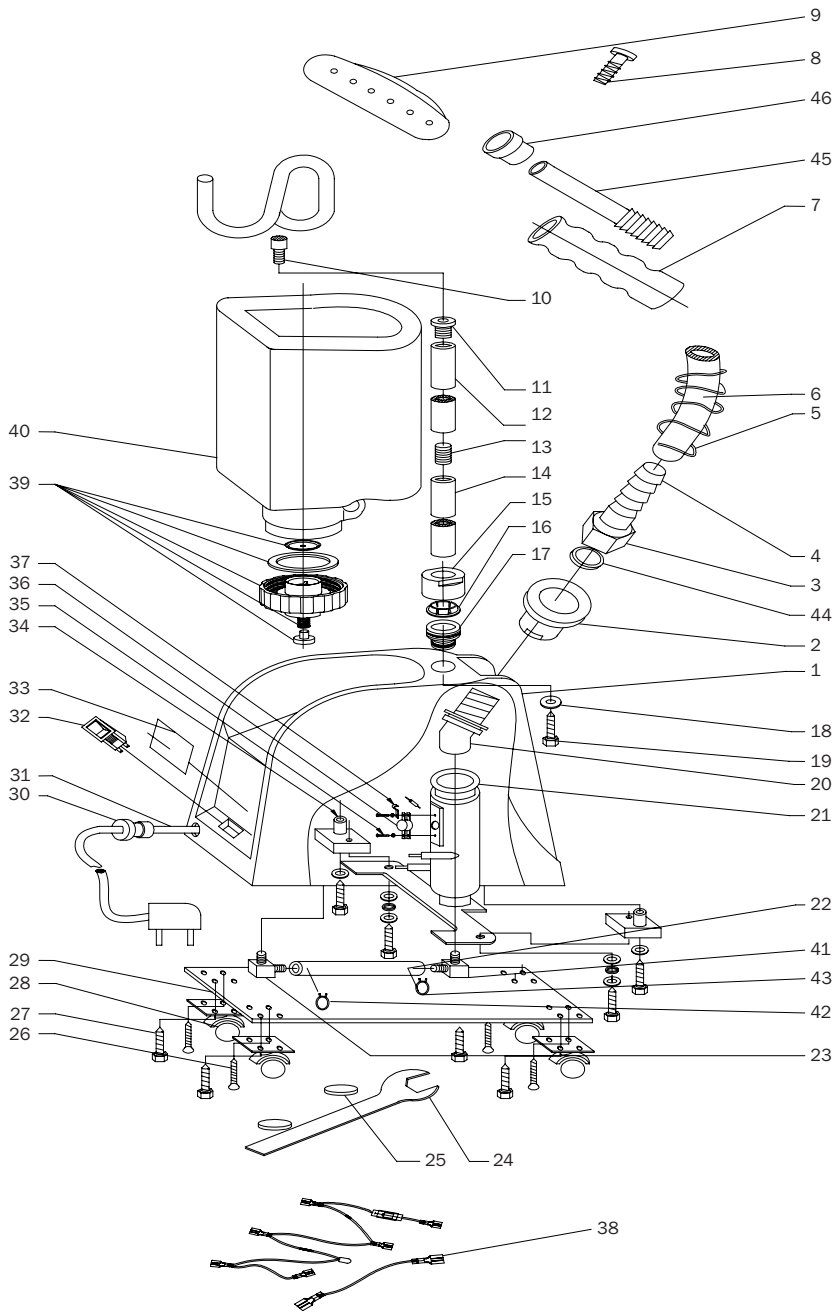


# LISTA DE PARTES DEL VIVIO 100GC

NO. DE REF.	NÚMERO DE PARTE	DESCRIPCIÓN
1	HS-3	Cubierta exterior
2	HS-9	Tapa
3	HS-10	Tuerca de la lengüeta de la manguera
4	HS-11	Lengüeta de la Manguera
5	HS-12	Resorte
6	HS-14W	Manguera
7	HS-20	Parte inferior de la cubierta del mango
8	HS-21	Parte superior de la cubierta del mango
9	HS-22/23	Cabezal de vapor
10	HS-32	Cepillo
11	HS-19	Parte superior de la varilla de soporte
12	HS-18	Tapa de tuerca
13	HS-17	Parte media de la varilla de soporte
14	HS-16	Conector roscado
15	HS-24	Parte inferior de la varilla de soporte
16	HS-13	Base de la varilla
17	HS-29	Arandela de la base de la varilla
18	HS-28	Acople de la base de la varilla
19	HS-8	Arandela
20	GB818-85	Tornillo
21	HS-7	Tapa del elemento
22	HS-2-0	Elemento calefactor
23	HS-1-0	Tubo de silicona
24	HS-4	Conector codo
25	HS-SP	Llave
26	HS-MAG	Imán
27	GB845-85	Tornillo
28	GB5285-85	Tornillo
29	HS-A-6	Ruedita
30	HS-1	Placa base
31	HS-2W	Cojinete del cable
32	HS-A-3	Cable de Alimentación
33	HS-A-1	Llave de Encendido
34	HS-27W	Etiqueta
35	HS-25	Pata
36	GB818-85	Tornillo
37	HS-A-2	Termostato
38	HS-A-5	Gancho de sujeción
39	HS-A-4	Fusible
40	HS-5	Tapa de la botella
41	HS-15	Botella de agua
42	HS-4	Codo (igual al HS-4)
43,44	HS-CLIP	Gancho
45	HS-SEAL	Borde de goma

## CONJUNTOS: NO SE MUESTRAN EN EL DIAGRAMA

HHC	Cabezal y mango de plástico completos
HSHHC	Cabezal y mango de plástico con manguera completos
HSMHHC	Cabezal y mango de metal completos
HS-HR	Varilla de soporte completa





# LISTA DE PARTES DEL VIVIO 150GC

NO. DE REF.	NÚMERO DE PARTE	DESCRIPCIÓN
1	HS-3	Cubierta exterior
2	HS-9	Tapa
3	HS-10	Tuerca de la lengüeta de la manguera
4	HS-11	Lengüeta de la Manguera
5	HS-12	Resorte
6	HS-14W	Manguera
7-9,45,46	METALH	Cabezal metálico con mango de madera
10	HS-19	Parte superior de la varilla de soporte
11	HS-18	Tapa de tuerca
12	HS-17	Parte media de la varilla de soporte
13	HS-16	Conector roscado
14	HS-24	Parte inferior de la varilla de soporte
15	HS-13	Base de la varilla
16	HS-29	Arandela de la base de la varilla
17	HS-28	Acople de la base de la varilla
18	HS-8	Arandela
19	GB818-85	Tornillo
20	HS-7	Tapa del elemento
21	HS-2-0	Elemento calefactor
22	HS-1-0	Tubo de silicona
23	HS-4	Conector codo
24	HS-SP	Llave
25	HS-MAG	Imán
26	GB845-85	Tornillo
27	GB5285-85	Tornillo
28	HS-A-6	Ruedita
29	HS-1	Placa base
30	HS-2W	Cojinete del cable
31	HS-A-3	Cable de Alimentación
32	HS-A-1	Llave de Encendido
33	HS-27W	Etiqueta
34	HS-25	Pata
35	GB818-85	Tornillo
36	HS-A-2	Termostato
37	HS-A-5	Gancho de sujeción
38	HS-A-4	Fusible
39	HS-5	Tapa de la botella
40	HS-15	Botella de agua
41	HS-4	Codo (igual al HS-4)
42,43	HS-CLIP	Gancho
44	HS-SEAL	Borde de goma

## CONJUNTOS: NO SE MUESTRAN EN EL DIAGRAMA

HHC	Cabezal y mango de plástico completos
HSHHC	Cabezal y mango de plástico con manguera completos
HSMHHC	Cabezal y mango de metal completos
HS-HR	Varilla de soporte completa

# POLÍTICA DE LA GARANTÍA DE PRODUCTO DE 3 AÑOS DE RELIABLE CORPORATION PARA EL VAPORIZADOR DE PRENDAS VIVIO (MODELO 100GC + 150GC)

Reliable Corporation ("Reliable") le garantiza al comprador original del vaporizador de prendas mencionado anteriormente de Reliable ("Vivio") que por un periodo de tres (3) años desde la fecha de compra el producto estará libre de defectos relacionados con los materiales y la fabricación cuando el comprador original únicamente lo utiliza para el uso normal.

Sujeto a las condiciones y limitaciones establecidas en el presente documento, Reliable se encargará de la reparación o el reemplazo de cualquier pieza de Vivio que esté dañada por razones vinculadas con la fabricación o los materiales inadecuados. Si el producto defectuoso ya no se encuentra disponible y no puede ser reparado ni reemplazado por un modelo idéntico, Reliable deberá reemplazar la máquina defectuosa por una máquina de la empresa que tenga el mismo valor o uno mayor y que se encuentre disponible. Reliable proporcionará los productos de reemplazo a modo de intercambio. Esos productos podrán ser nuevos o renovados para que sean equiparables en cuanto a sus funciones a un producto nuevo. Si Reliable no puede reemplazar el producto Vivio, reembolsará el valor actual de la máquina de Reliable al momento en el que se realice el reclamo de la garantía.

La garantía limitada no cubre daños en el producto Vivio ocasionados por: instalación inadecuada, accidente, abuso, uso indebido, uso irrazonable, desastre natural, condiciones ambientales o mecánicas anormales o por cualquier modificación, reparación o desmontaje no autorizado. La garantía limitada no se extiende a los daños incidentales o indirectos que un usuario pueda sufrir a partir del uso de Vivio, incluida, a modo de ejemplo, la responsabilidad de reclamos por daños manifestados por terceros. La garantía se limita al importe pagado por el comprador original por el producto Vivio al cual se aplica esta garantía de protección. Esta garantía limitada no se aplica a productos que hayan sido alterados ni a productos que no hayan sido comprados directamente a Reliable o a un distribuidor autorizado por la empresa para vender este producto Vivio.

Esta garantía limitada es la única garantía que aplica al vaporizador de prendas Vivio de Reliable, sustituye todos los términos que figuren en otros documentos u órdenes de compra. Además, esta garantía no puede ser alterada ni modificada excepto cuando Reliable lo indique por escrito.

Para obtener el servicio de reparación o reemplazo conforme a los términos de esta garantía, póngase en contacto con nuestro grupo de atención al cliente al 1 800 268 1649 o por correo electrónico a [support@reliablecorporation.com](mailto:support@reliablecorporation.com). Deberá entregar el recibo original por fax o correo electrónico. El recibo debe demostrar que usted es el comprador original, que el producto fue comprado directamente a Reliable o a un distribuidor autorizado y que el reclamo de la garantía se realiza conforme a los términos establecidos en este documento o cualquier documento subsiguiente emitido por Reliable en relación con esta política. Se le proporcionará un número de autorización por devolución (RA, por sus siglas en inglés) y se le pedirá que envíe el producto defectuoso junto con el comprobante de compra y el número RA (envío prepagado) a la siguiente dirección: Reliable Corporation, 5-100 Wingold Ave, Toronto, ON M6B 4K7.

Se rechazarán los envíos a cobrar. El cliente asumirá el riesgo de la pérdida o el daño durante el envío. Una vez que Reliable reciba el producto defectuoso, iniciará el proceso de reparación o reemplazo.

Si tiene alguna pregunta relacionada con esta garantía, puede escribir a:

Reliable Corporation  
100 Wingold Avenue, Unit 5  
Toronto, Ontario  
Canada M6B 4K7  
[www.reliablecorporation.com](http://www.reliablecorporation.com)







***RELIABLE***

1 800 268 1649  
[www.reliablecorporation.com](http://www.reliablecorporation.com)