

RICOMA®

EM-1010

PARTS BOOK

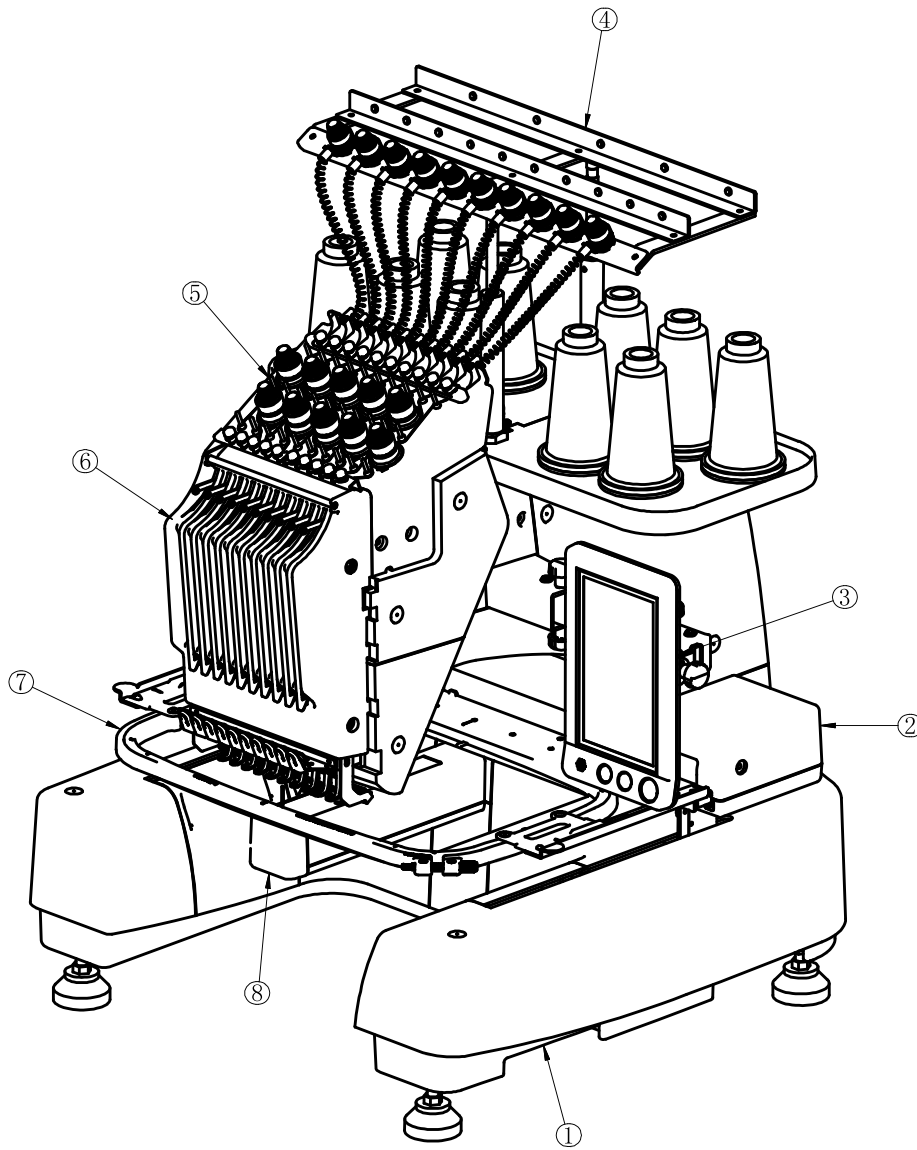


VERSION:06000V1

www.ricoma.us www.ricoma.cn

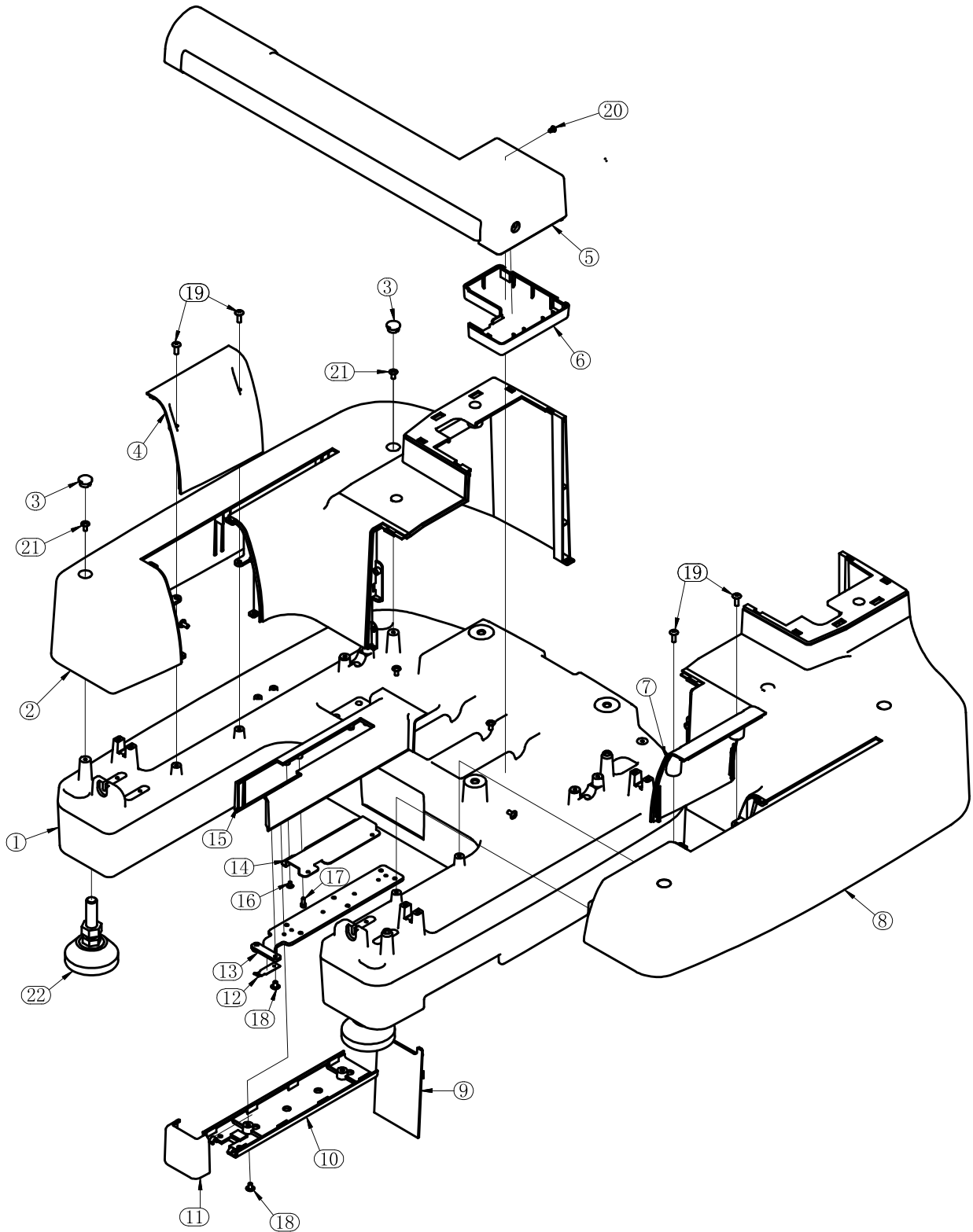
01	Cover- Bast	02
02	Cover Head	04
03	Machine Head	06
04	Upper Thread-Hook and Jumping	12
05	Color Change System	14
06	Rotary Hook Base	16
07	Y-axis Drive System	20
08	Driver Assembly-X-EM	24
09	Needle Bar Case	26
10	Middle Thread-Course	30
11	Panel-Support	32
12	Thread Tray and Thread Stand	34
13	Table Guard Cover	36
14	Frames, Bracket	38
15	Control System	40

General View



General View	
NO	Name
1	Bast
2	Driver Assembly-X-EM
3	Panel-Support
4	Thread Tray and Thread Stand
5	Table Guard Cover
6	Middle Thread-Course
7	Frames Bracket
8	Rotary Hook Base

01. Cover- Bast

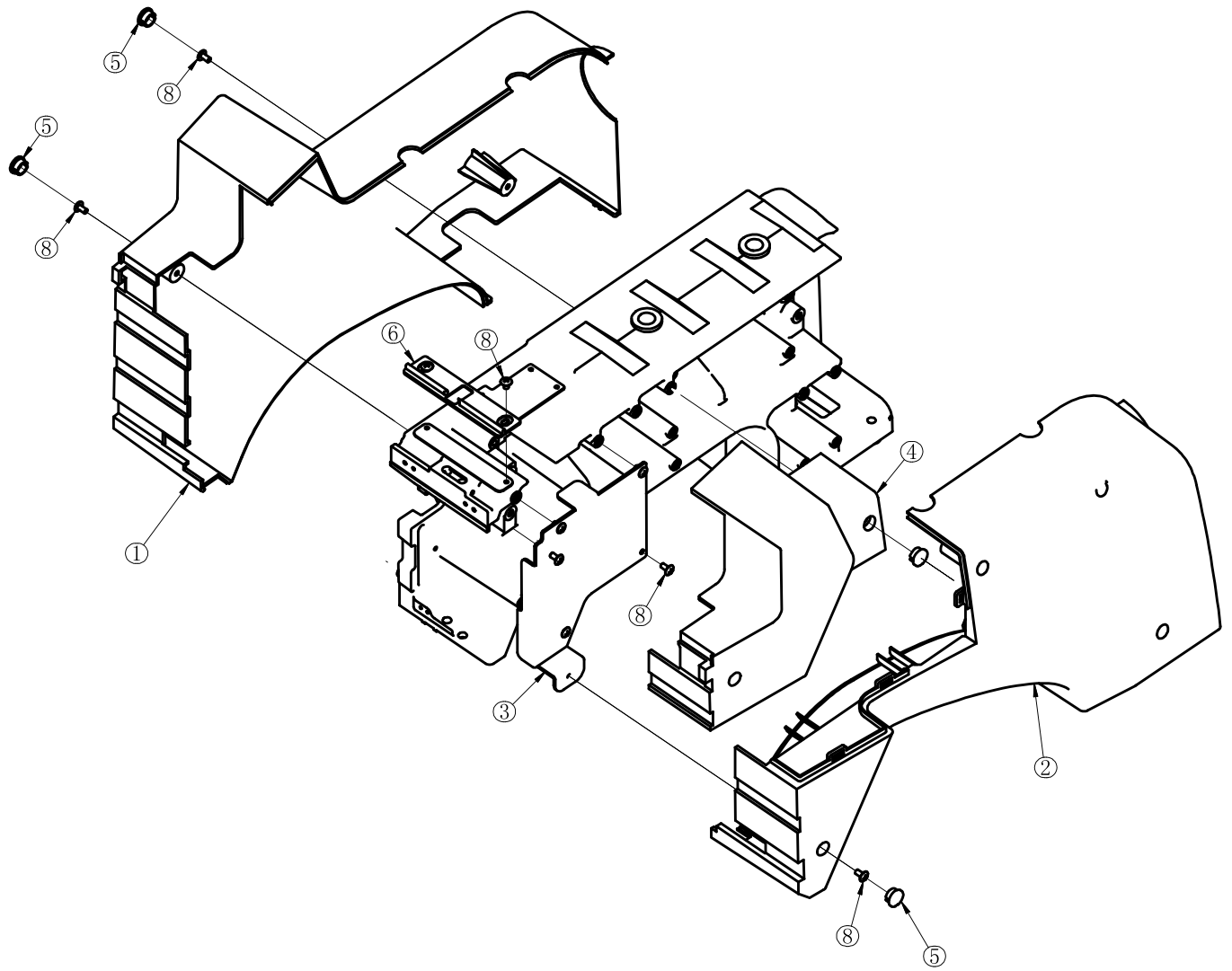


01.Cover- Bast

06010V1

NO	Part Number	Parts Name	Remark
1	3006010101	Base-EM	
2	3006010201	Cover-Base-L-EM	
3	3006010241	Plug-EM	
4	3006010202	Cover-Base-LS-EM	
5	3006010231	Cover-X-direction Drive-EM	
6	3006010232	Lower Cover-X-EM	
7	3006010204	Cover-Base-RS-EM	
8	3006010203	Cover-Base-R-EM	
9	3006010205	Middle Cover Plate-Base-EM	
10	3006010222	Cover-Rotary Hook Arm-Lower-EM	
11	3006010223	Cover-Rotary Hook-EM	
12	3006021116	Locating Clip-Rotary Hook Arm Cover-EM	
13	3006021115	Stand-Cap Driver Rail-EM	
14	3006021111	Cover Plate-Rotary Hook Arm-EM	
15	3006010221	Cover-Rotary Hook Arm-Top-EM	
16	80746304	Big Round Head Cross Screw-M3x5	
17	80810308	Cup-head Socket Screw-M3x8	
18	80746406	Round-head Cross Screw-M4x6	
19	80746412	Round-head Cross Screw-M4x12	
20	80700107	Bolt-Semi-round Head Cross Screw-ST2.9x7	
21	80746408	Round Head Cross Screw--M4x8	
22	80270831	Adjustment Support Arm	

02. Cover Head

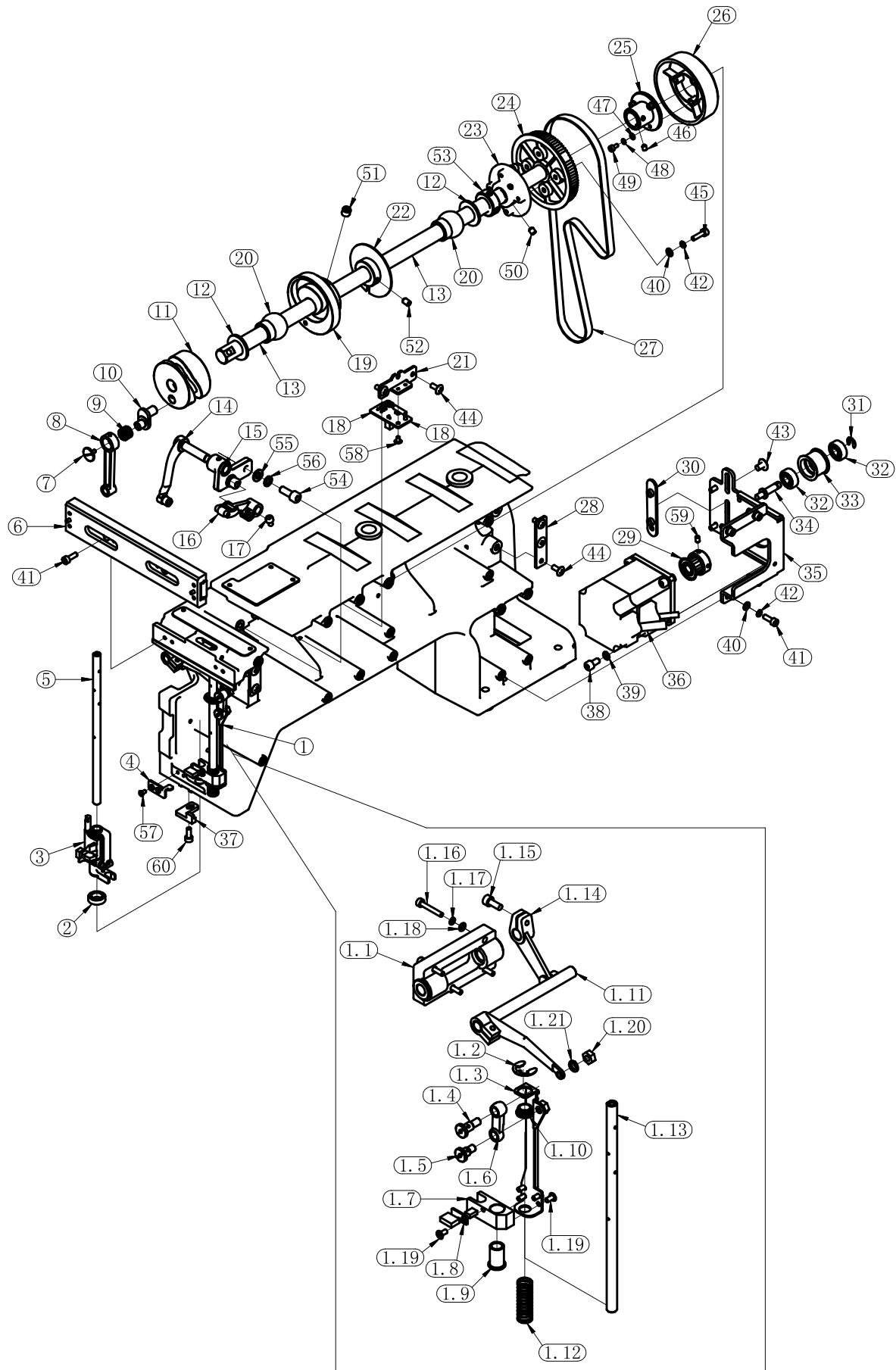


02.Cover Head

06020V1

NO	Part Number	Parts Name	Remark
1	3006010211	Head-Cover-L-EM	
2	3006010212	Cover-Head-R-EM	
3	3006010242	Mounting Plate-Head Cover-EM	
4	3006010213	Cover-Head-RF-EM	
5	3006010241	Plug-EM	
6	3006041103	GUIDE-PLATE-EM	
7	3006040101	Head	
8	80746408	Round Head Cross Screw---M4x8	

03. Machine Head

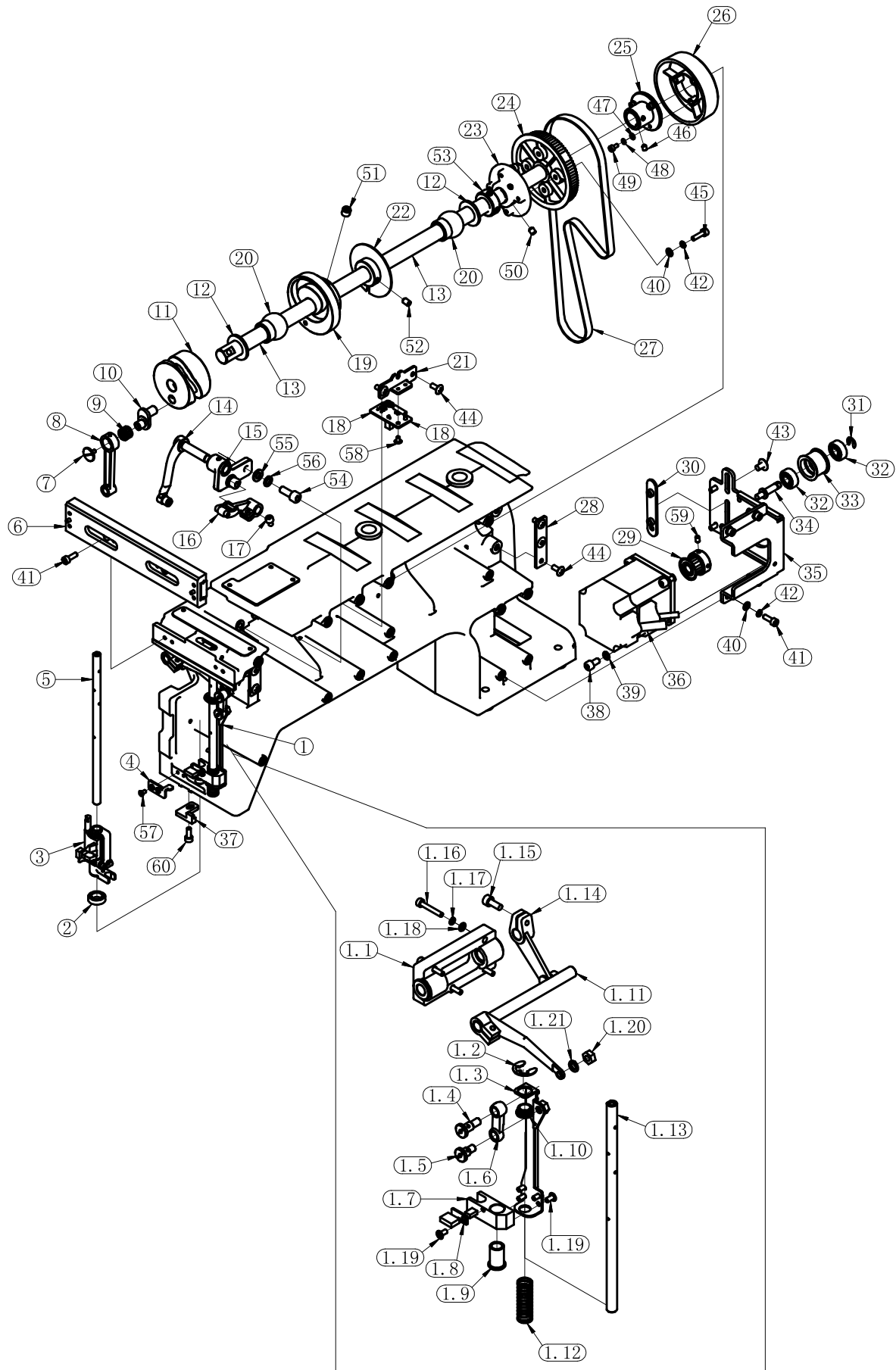


03.Machine Head

06030V1

NO	Part Number	Parts Name	Remark
1	3006040461	Head-Cover-L-EM	
1.1	3006040405	Cover-Head-R-EM	
1.2	80031071	Mounting Plate-Head Cover-EM	
1.3	03040421	Cover-Head-RF-EM	
1.4	03040411	Plug-EM	
1.5	03040412	Round Head Cross Screw---M4x8	
1.6	03040403	Presser Foot Small Connecting Rod	
1.7	03030424	Drive Block-Presser Foot	
1.8	03040426BA	Buffer Cushion--Presser Foot	
1.9	03040423	Drive Shaft Bushing B	
1.10	03040422	Drive Shaft Bushing A	
1.11	3006040460	Presser Foot Drive Arm--Transmission	
1.12	03040425	Guide Spring--Presser Foot	
1.13	3006040121	Shaft-Needle Bar Drive-OD7.24-EM	
1.14	3006040403	Drive Arm-Presser Foot Cam-EM	
1.15	80810410	Cup-head Socket Head Screw---M4x10	
1.16	80810320	Cup-head Socket Head Screw---M3x20	
1.17	80900513	Spring Washer-M3-Black	
1.18	80900301	Flat Washer-M3	
1.19	80742306	Flange-type Semi-round Cross Screw-M3x6	
1.20	80900528	Nut-M5-Stainless Steel	
1.21	80900513	Spring Washer-M5	
2	03040160	Locating Bearing--Bottom Rail	
3	03040292	Needle Bar Drive--Needle Bar	
4	3006040102	Location Board--Bottom Rail Bearing-EM	
5	3006040121	Shaft-Needle Bar Drive-OD7.24-EM	
6	3006040111	Bead Frame Guide Rail-10	
7	03040204	Screw-Big Connecting Rod	
8	03040202	Connecting Rod--Needle Bar Drive	
9	80030831	Needle Bearing-12-8-8	
10	03040201	Eccentric Pin-Handpiece Cam	
11	03040203	Cam-Handpiece	
12	03041204	Washer-Handpiece Cam	
13	3006041201	Main Shaft-OD15-EM	
14	03041193	Drive Lever--Take-up Lever	
15	3006041102	Mounting Base--Take-up	
16	3006041160	Drive Lever--Take-up Lever	
17	80810406	Cup-head Socket Screw-M4x6	
18	3006152104	Optocoupler-Zero	
19	03040404	Cam-Presser Foot	

03. Machine Head

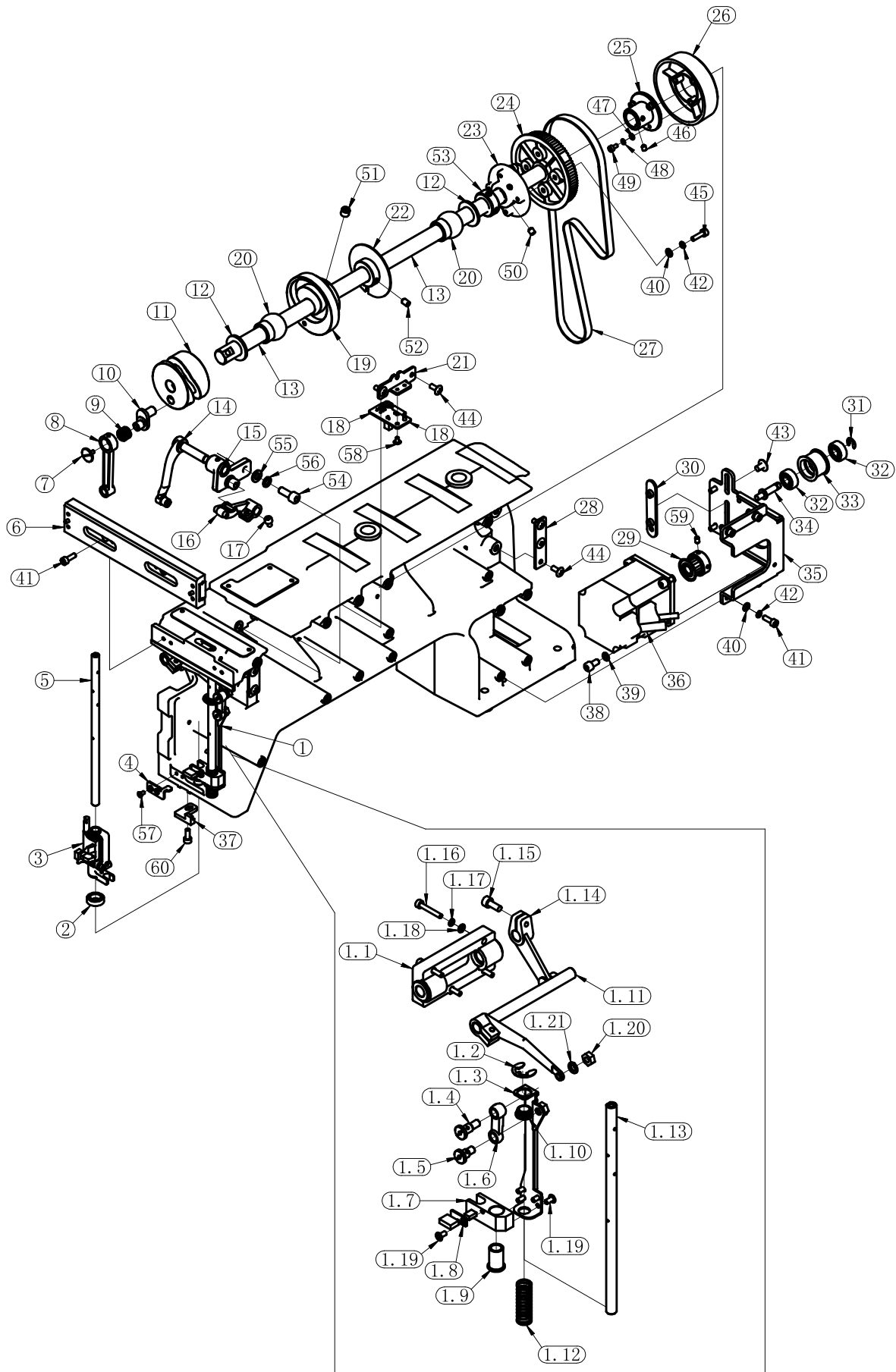


03.Machine Head

06030V1

20	3006041211	Oil Bearing-SR13-ID15	
21	3006041221	Mounting Plate-Zero Sensor	
22	03040107	Light Baffle-Zero Sensor-RCM	
23	3006041203	Locating Disc--Belt Pulley-Upper Shaft-EM	
24	3006041204	Belt Pulley-Upper Shaft-EM	
25	3006041207	Knob Seat-Main Shaft-EM	
26	3006041213	Knob-Main Shaft-EM	
27	3006040191	Synchronous Belt-Main Shaft-EM	
28	3006041212	Pressing Plate-Oil Bearing-Upper Shaft	
29	3006041292	Drive Pulley-Main Shaft-EM	
30	3006041233	Adjusting Plate--Main Shaft Tension Pulley-EM	
31	80030671	Type-E Locking Spring-6	
32	80030622	Deep-hook Ball Bearing-19-6-6	
33	3006041234	Tension Pulley-Main Shaft-EM	
34	3006041232	Tension Pulley Shaft -Main Shaft-EM	
35	3006041231	Motor Cabinet-Main Shaft-EM	
36	3006041295	Brushless Motor-Main Shaft-BLDC57	
37	3006040103	Locating Hook-Bottom Rail-EM	
38	80810510	Socket Head Screw-M5x10	
39	80900513	Spring Washer-M5	
40	80900403	Flat Washer-M4-8-0.8-Chromeplated	
41	80810410	Cup-head Socket Screw-M4x12	
42	80900413	Spring Washer-M4-Black	
43	80740508	Big Round Head Cross Screw-M5x8	
44	80746408	Round Head Cross Screw-M4x10	
45	80810416	Cup-head Socket Screw-M4x14	
46	80880405	Socket Set Screw-M4x5	
47	80900301	Flat Washer-M3	
48	80900313	Spring Washer-M3-Black	
49	80810306	Cup-head Socket Screw-M3x6	
50	80880506	Socket Head Set Screw-M5x6	
51	80880808	Socket Head Set Screw-M8x8	
52	80880508	Socket Head Set Screw-M5x8	
53	3006040405	Mounting Base-Presser Foot Drive	
54	80810620	Socket Head Screw-M6x18	
55	80900605	Flat Washer-M6-12-0.8-Chromeplated	

03. Machine Head

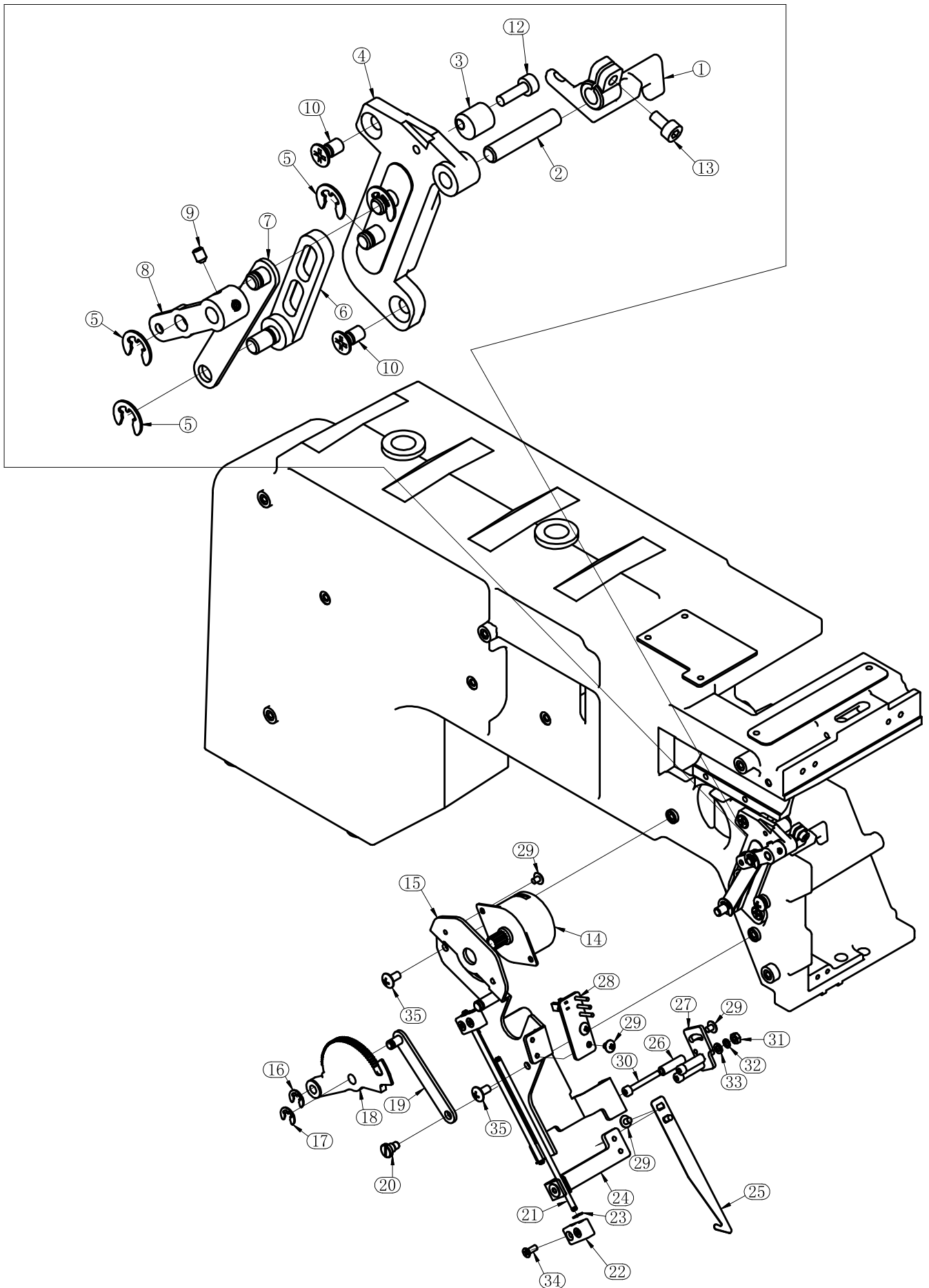


03.Machine Head

06030V1

56	80900613	Spring Washer-M6-Black	
57	80860326	Big Round Head Cross Screw-M3x5	
58	80746304	Countersunk Head Cross Screw-M3x5	
59	80880406	Socket Set Screw-M4x6	
60	80810410	Cup-head Socket Screw-M4x10	
61	3006041206	Ring-LD15	

04. Upper Thread-Hook and Jumping

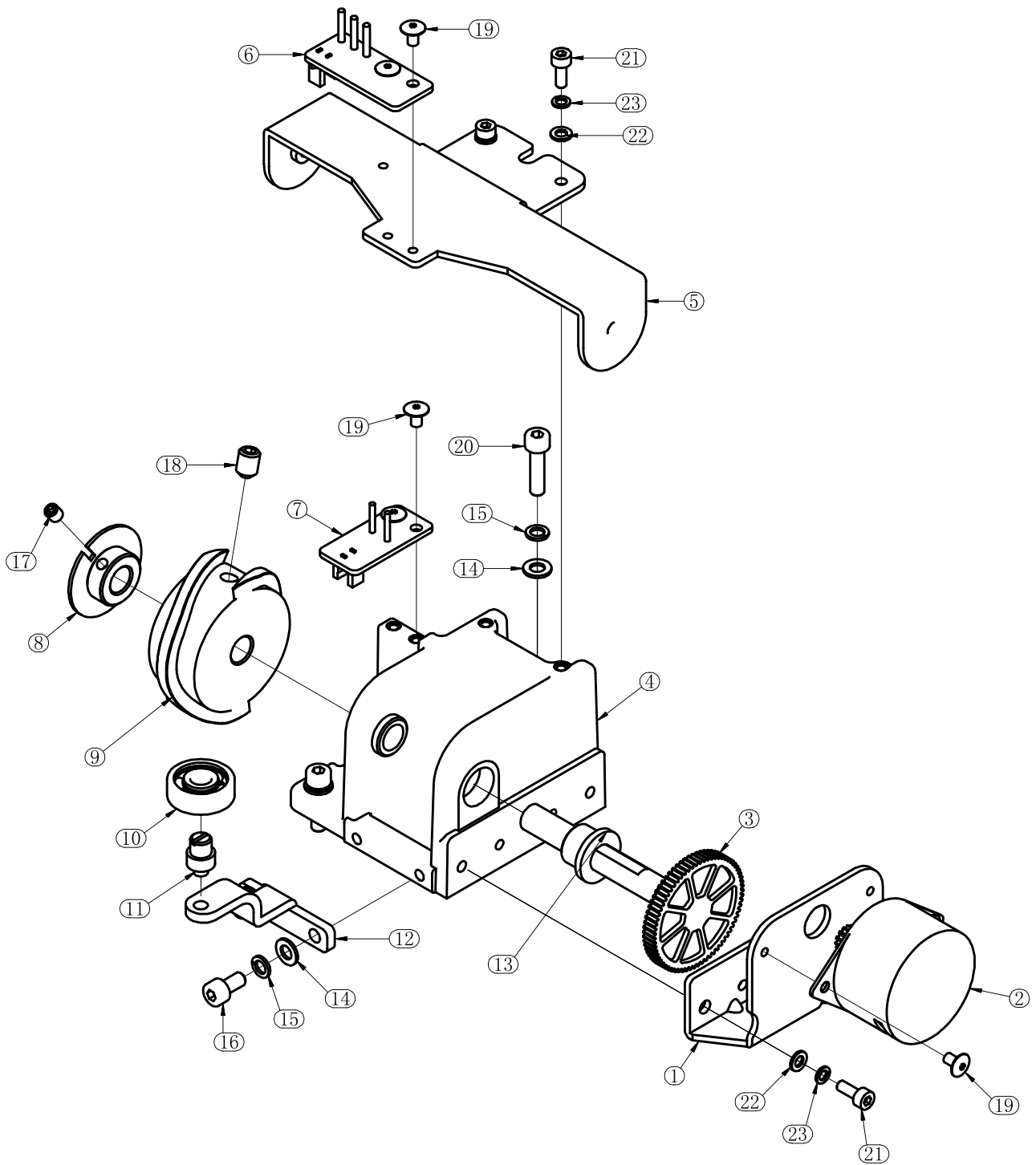


04.Upper Thread-Hook and Jumping

06040V1

NO	Part Number	Parts Name	Remark
1	3006040702	Drive Arm B-Hopping-EM	
2	3006040703	Shaft-Hopping-EM	
3	3040606	Silent Block	
4	3006040701	Support Seat-Handpiece Hopping-EM	
5	80030571	Type-E Locking Spring-5	
6	3006040705	Guide Holder-Hopping-EM	
7	3006040708	Connecting Rod-Hopping-EM	
8	3006040704	Drive Arm A-Hopping-EM	
9	80880304	Socket Set Screw-M3x4	
10	80860408	Countersunk Head Cross Screw-M4x8	
12	80810310	Cup-head Socket Screw-M3x10	
13	80810306	Cup-head Socket Screw-M3x6	
14	3006040596	Stepping Motor-PM35	
15	3006040601	Bracket-Thread-hooking-EM	
16	80030571	Type-E Locking Spring-5	
17	80030671	Type-E Locking Spring-6	
18	3006040603	Driven Gear-Thread-Hooking-EM	
19	3006040604	Connecting Rod-Thread-hooking-EM	
20	80924211	Shaft Shoulder Screw M4x4-5x3.5	
21	3006040608	Guide Shaft--Thread-Hook-EM	
22	3006040607	Locking Block--Thread-hooking Guide Shaft-EM	
23	80030371	Type-E Locking Spring-3	
24	3006040606	Guide Arm--Thread-hook-EM	
25	3006040609	Thread-hook-EM	
26	3006040612	Guide Pipe A----Thread-hooking---EM	
27	3006040611	Guide Holder--Thread-hooking-EM	
28	3006152107	Sensor Plate--Lock and Thead-hooking	
29	80746304	Big Round Head Cross Screw-M3x4	
30	80810325	Cup-head Socket Screw---M3x25	
31	80900328	Nut--M3--Chromeplated	
32	80900313	Spring Washer---M3--Black	
33	80900301	Flat Washer--M3	
34	80860326	Countersunk Head Cross Screw-M3x6	
35	80746408	Round Head Cross Screw---M4x8	

05. Color Change System

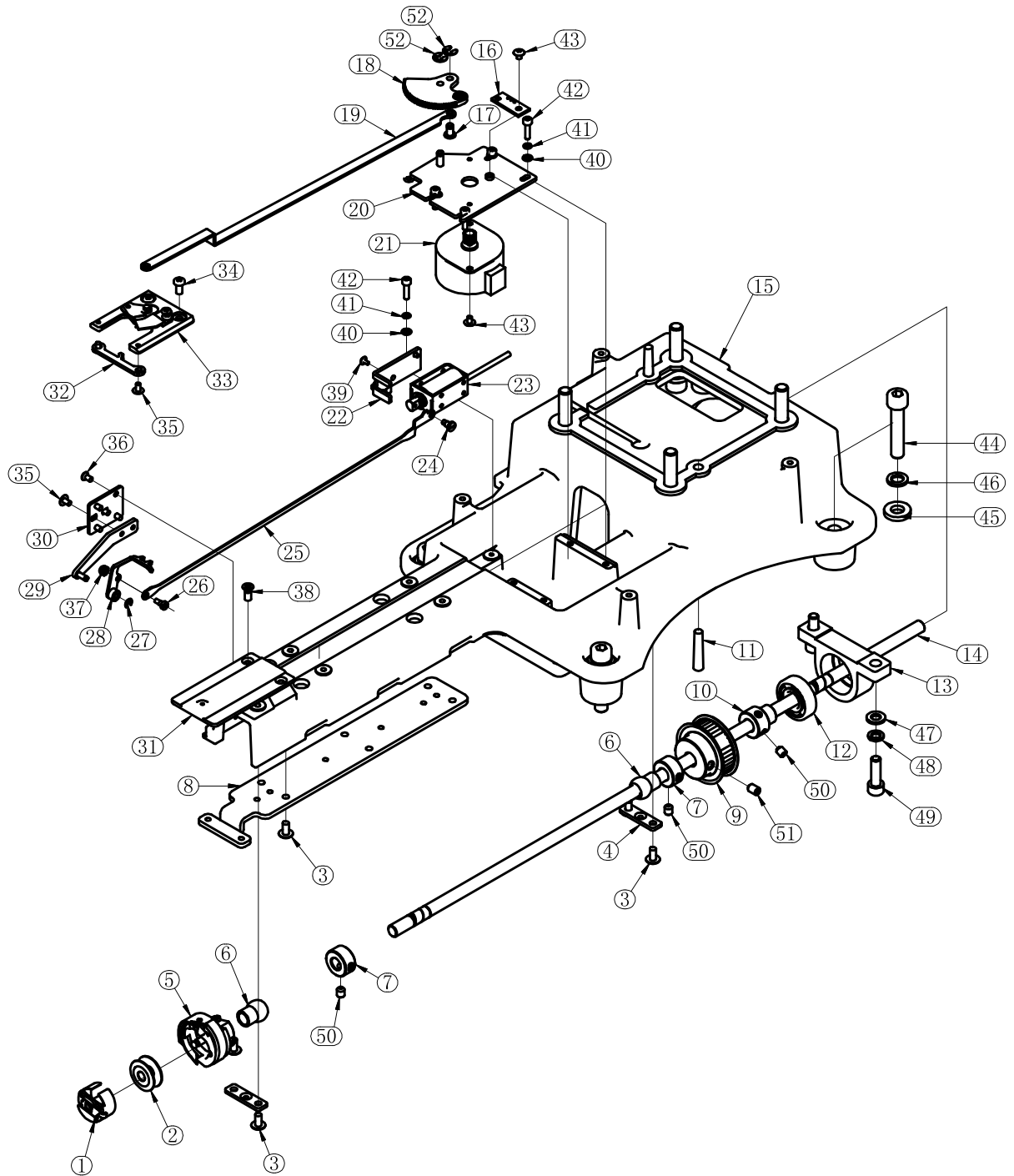


05.Color Change System

06050V1

NO	Part Number	Parts Name	Remark
1	3006040511	Motor Base---Color Change-EM	
2	3006040596	Stepping Motor-PM35	
3	3006040524	Driven Pulley--Color Change--EM	
4	3006040501	Color Change Base--EM	
5	3006040512	Bracket--Needle Optocoupler--EM	
6	3006152103	Sensor Plate---Needle Position	
7	3006152102	Sensor Plate---Color Change Semi-rotating	
8	3006040522	Light Baffle--Needle Semi-rotatng-EM	
9	3006040521	Cam---Color Change--EM	
10	80030622	Deep Hook Ball Bearing--19-6-6	
11	3006040515	Pin---Color Change Bearing--EM	
12	3006040514	Bearing Seat--Color Change--EM	
13	3006040523	Oil Bearing --ID8--OD12	
14	80900401	Flat Washer--M4-8-1.2-Chromeplated	
15	80900413	Spring Washer--M4--Black	
16	80810408	Cup-head Socket Screw--M4x8	
17	80880405	Socket Set Screw--M4x5	
18	80880608	Socket Set Screw--M6x8	
19	80746304	Big Round Head Cross Screw--M3x5	
20	80810416	Cup-head Socket Screw--M4x16	
21	80810308	Cup-head Socket Screw--M3x8	
22	80900301	Flat Washer--M3	
23	80900313	Spring Washer--M3--Black	

06. Rotary Hook Base

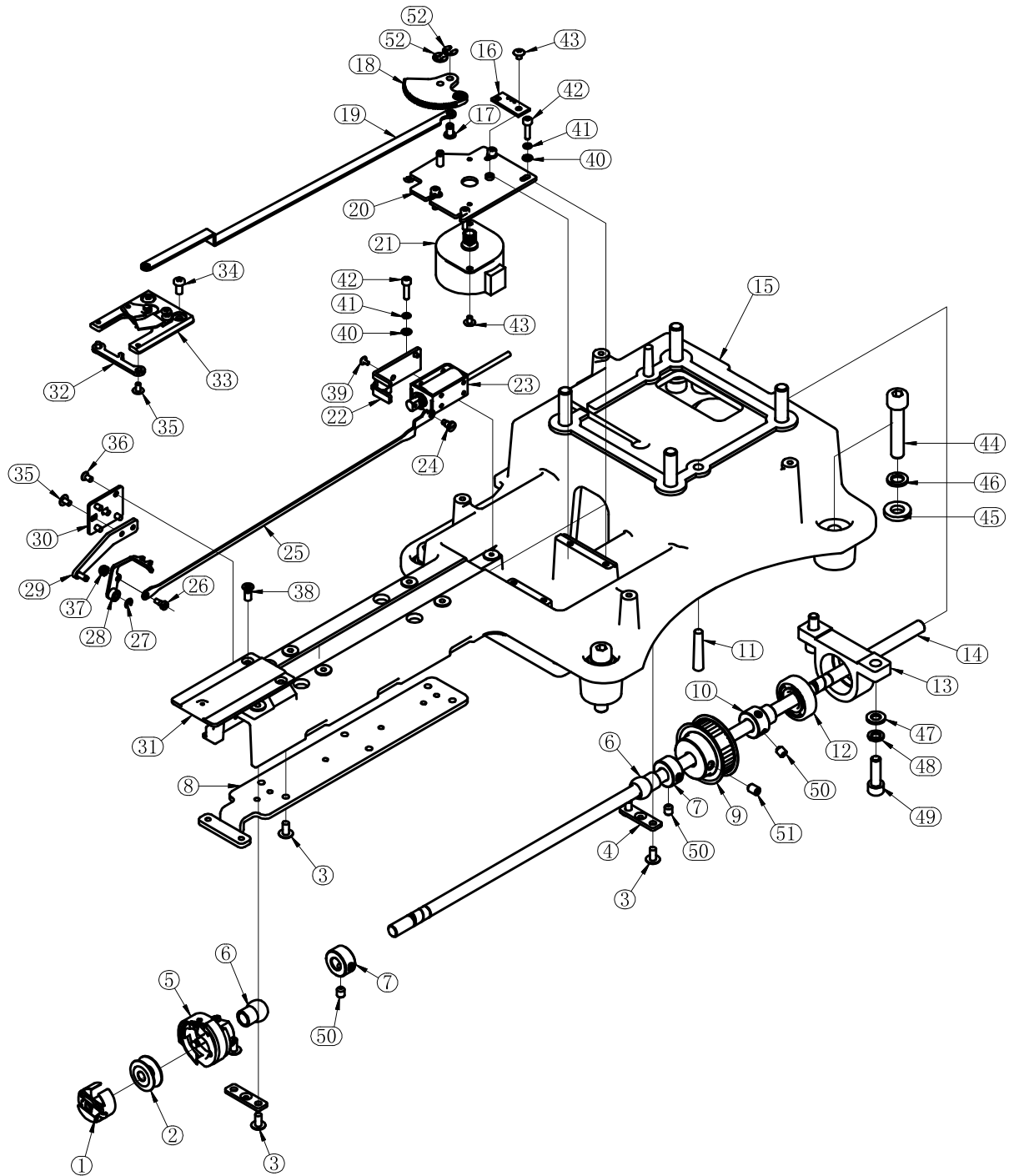


06.Rotary Hook Base

06060V1

NO	Part Number	Parts Name	Remark
1	80620301	Bobbin case	
2	80620302	Bobbin	
3	80746408	Round Head Cross Screw--M4x8	
4	3006021114	Pressing Plate--Oil Bearing--Lower Shaft--EM	
5	80620291	Rotary hook	
6	3006021106	Oil Bearing--SR7-ID7.94	
7	02101121	Rings for rotary hook Shaft	
8	3006021115	Bracket-Hatstand Rail-EM	
9	3006021190	Driven Pulley-rotary hook Shaft-EM	
10	80037901	Bearing Bush-7.94-12	
11	80682101	5-30 Taper Pin	
12	80031223	Deep Hook Ball Bearing-28-12-8	
13	3006021191	Bearing Seat--Shuttle Box Shaft-EM	
14	3006021102	rotary hook Shaft-ID7.94-EM	
15	3006021101	Hook arm- EM	
16	3006152105	Hall Plate-Thread-Trimming	
17	3006021212	Driven Pin-Trimming Pull Rod-EM	
18	3006021202	Driven Gear-Thread-trimming-EM	
19	3006021211	Pull Rod-Thread-trimming-EM	
20	3006021201	Motor Mounting Base-Thread-trimming-EM	
21	3006021296	Stepping Motor-PM42	
22	3006021501	Mounting Base-Thread-buckling Solenoid	
23	80320221	Solenoid-053	
24	80924203	Shaft Shoulder Screw M3x3-4x4	
25	3006021503	Pull Rod-Thread-Buckling-EM	
26	3006021504	Connecting Pin-Picker	
27	80030371	Type-E Locking Spring-3	
28	3011150305	Picker	
29	3011150305	Bracket of Thread-Buckling Fork	
30	3006021506	Mounting Plate-Thread-Buckling-EM	
31	3006021112	Needle Plate-Flat-EM	
32	3011150211	Rotary hook Locating Rack-Cast	
33	3006021301	Trimming Seat-EM	
34	80746406	Small Round Head Cross Screw-M4x6	

06. Rotary Hook Base

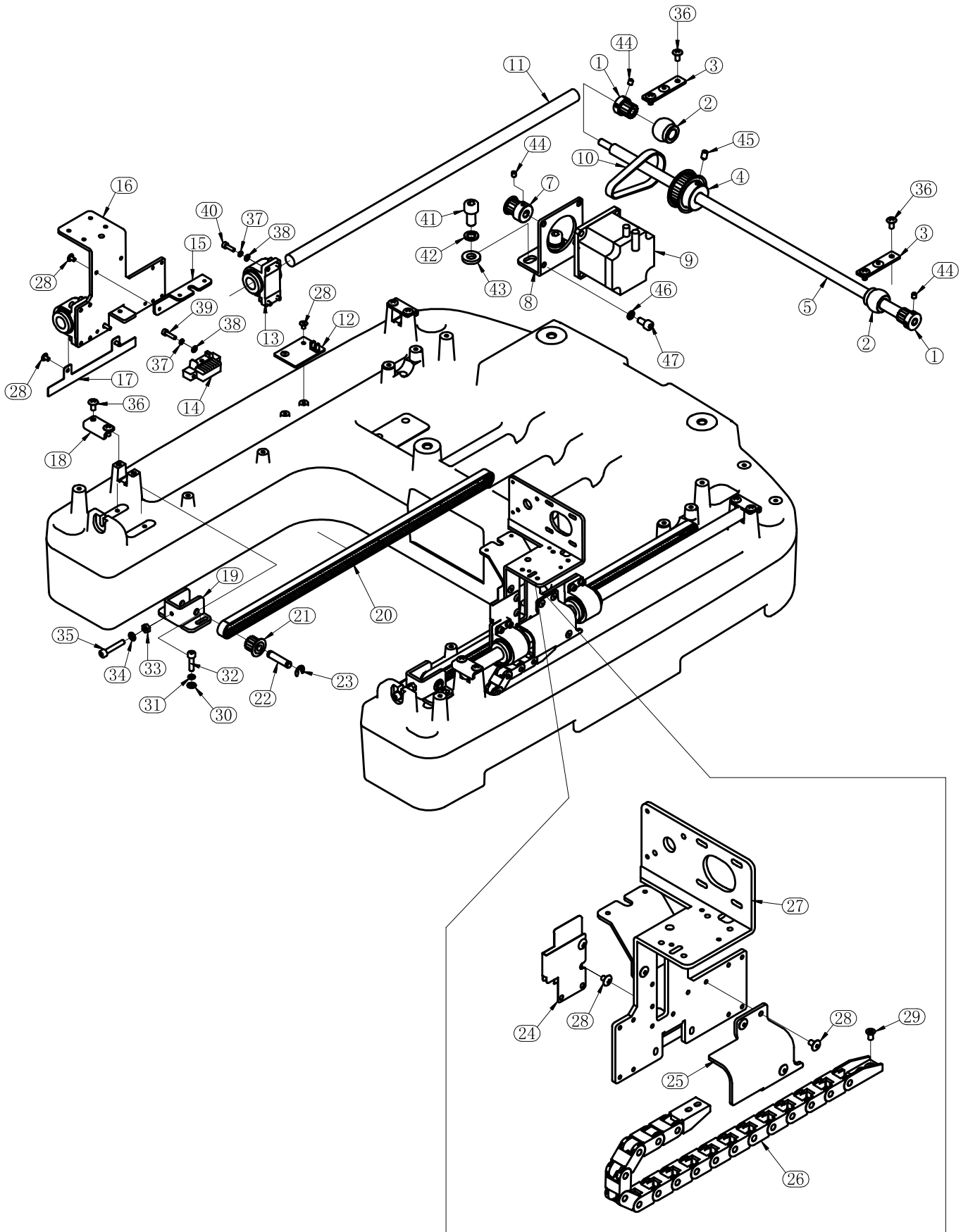


06.Rotary Hook Base

06060V1

35	80746304	Big Round Head Cross Screw-M3x5	
36	80860326	Countersunk Cross Screw-M3x6	
37	80900332	Lock Nut-M3	
38	80860410	Countersunk Cross Screw-M4x10	
39	80742504	Small Round Head Cross Screw-M2.5x4	
40	80900301	Flat Washer-M3	
41	80900313	Spring Washer-M3-Black	
42	80810412	Cup-head Socket Screw-M3x12	
43	80746304	Big Round Head Cross Screw-M3x4	
44	80810840	Socket Head Screw-M8x40	
45	80900801	Flat Washer-M8-17-2-Chromeplated	
46	80900813	Spring Washer-M8-Black	
47	80900601	Flat Washer-M6-12-0.8-Chromeplated	
48	80900613	Spring Washer-M6-Black	
49	80810620	Socket Head Screw-M6x20	
50	80880506	Socket Set Screw-M5x6	
51	80880508	Socket Set Screw-M5x8	
52	80030471	Type-E Locking Spring-4	

07. Y-axis Drive System

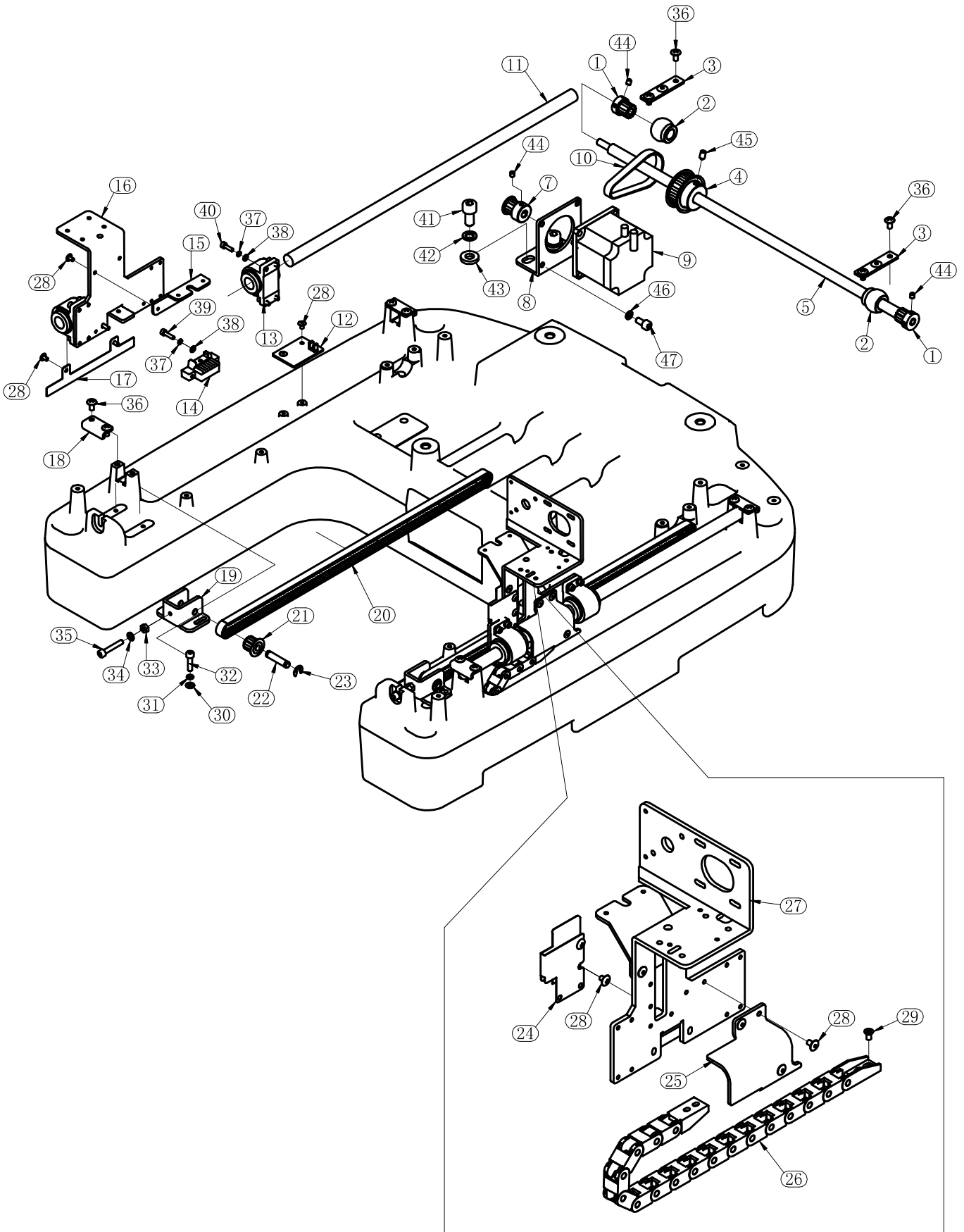


07.Y-axis Drive System

06070V1

NO	Part Number	Parts Name	Remark
1	3006105194	Drive Pulley-Y-EM	
2	3006105125	Oil Bearing-SR11-ID10	
3	3006105126	Pressing Plate-Oil Bearing-Y-EM	
4	3006105193	Drive Pulley-Y-EM	
5	3006105124	Drive Shaft-Y-EM	
7	3006105192	Drive Pulley-Y-EM	
8	3006105123	Motor base-Y-EM	
9	3006105191	Stepping Motor-57-X	
10	3006100194	Synchronous Belt-Drive-X	
11	3006105111	Shaft-Guide Rail-D12-Y-EM	
12	3006152106	Sensor-XY Limit	
13	3006105161	Bearing Block Component-Y-EM	
14	3006105115	Pressing Plate Synchronous Belt	
15	3006105103	Reinforced Support-X-EM	
16	3006105101	Drive connecting Plate-XY-L-EM	
17	3006105113	Light Baffle-limit-Y-EM	
18	3006105117	Pressing Plate-limit-Y-EM	
19	3006105131	Adjusting Bracket-Driven Pulley-Y-EM	
20	3006105196	Synchronous Belt-Driven-Y-EM	
21	3006100190	Drive Pulley-XY-EM	
22	3006105132	Shaft-Drive Pulley-Y-EM	
23	80030671	Type-E Clip-6	
24	3006105116	Thread-Crimping Board-Y-EM	
25	3006105114	Connecting Plate-Nylon Chain-EM	
26	3006105198	Nylon Chain	
27	3006105102	Drive Connecting Plate-XY-R-EM	
28	80746304	Big Round Head Cross Screw-M3x5	
29	80860326	Countersunk Cross Screw-M3x6	
27	3006105102	Driven Connecting Plate-XY-R-EM	
28	80746304	Big Round Head Cross Screw-M3x5	
30	80900403	Flat Washer-M4-8-0.8-Chromeplated	
31	80900613	Spring Washer-M4-Black	
32	80810416	Cup-head Socket Screw-M4x16	
33	80900428	Nut-M4-Chromeplated	
34	80900403	Flat Washer-M4-8-1-Chromeplated	

07. Y-axis Drive System

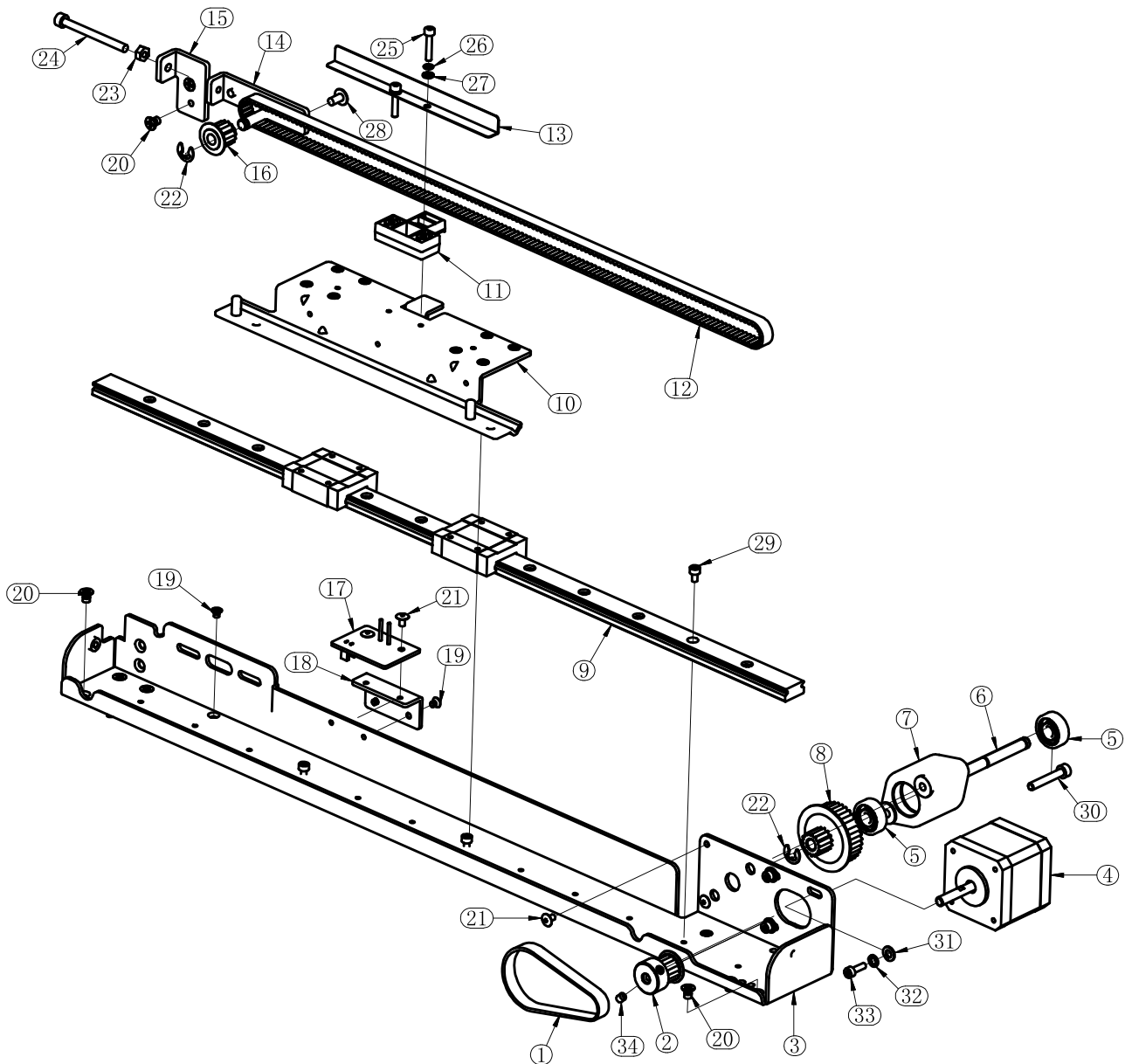


07.Y-axis Drive System

06070V1

35	80810425	Cup-head Socket Screw-M4x25	
36	80746408	Round Head Cross Screw-M4x8	
37	80900313	Spring Washer-M3-Black	
38	80900301	Flat Washer-M3	
39	80810312	Cup-head Socket Screw-M3x12	
40	80810310	Cup-head Socket Screw-M3x10	
41	80810816	Socket Head Screw-M8x16	
42	80900813	Spring Washer-M8-Black	
43	80900804	Flat Washer-M8-16-1.5-Chromeplated	
44	80880405	Socket Head Set Screw-M4x5	
45	80880508	Socket Head Set Screw-M5x8	
46	80900513	Spring Washer-M5	
47	80810510	Socket Head Screw-M5x10	

08. Driver Assembly-X-EM

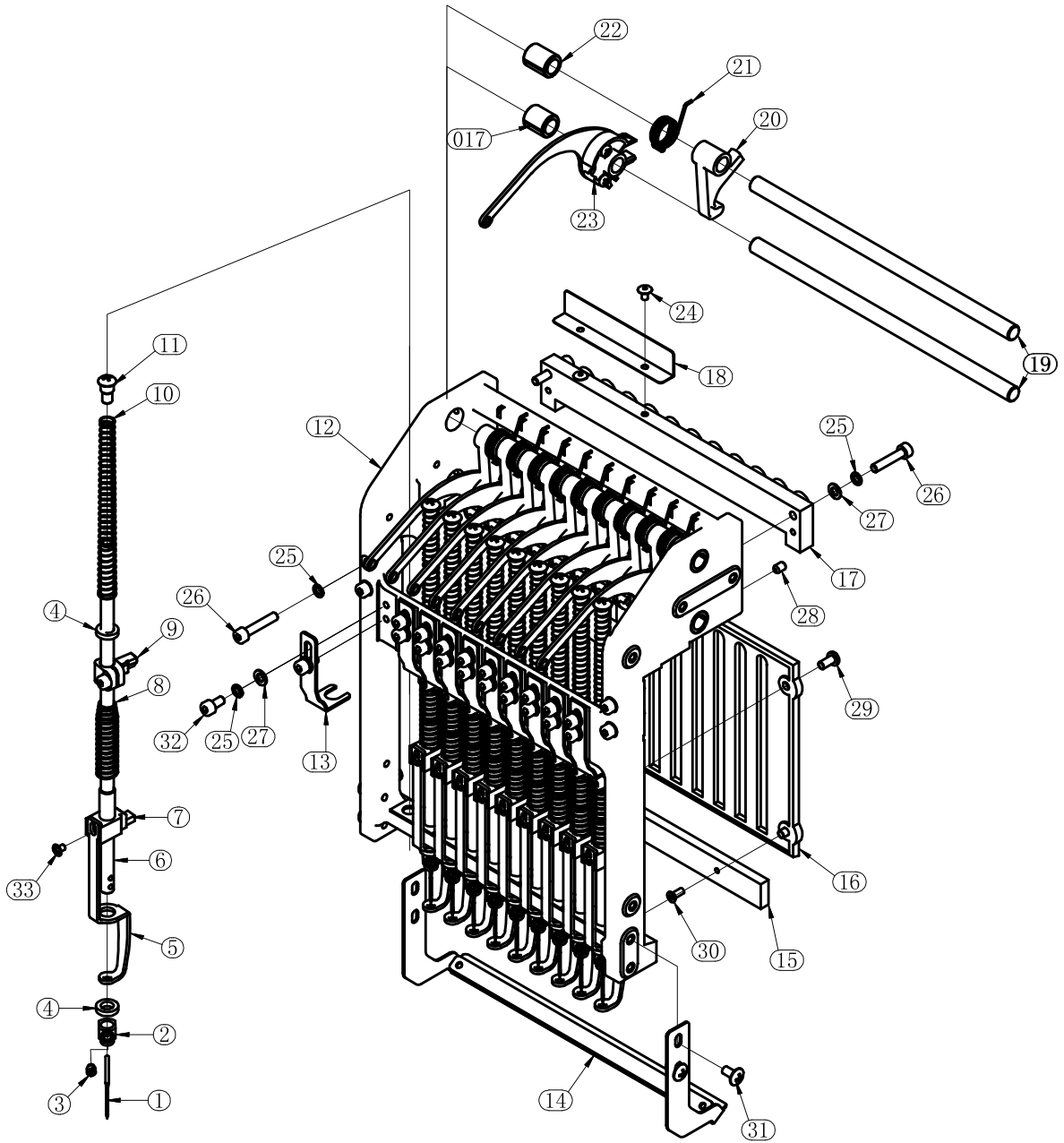


08.Driver Assembly-X-EM

06080V1

NO	Part Number	Parts Name	Remark
1	3006100194	Synchronous Belt-Drive-X	
2	3006100192	Drive Pulley-X-EM	
3	3006100101	Drive Bracket-X-EM	
4	3006100196	Stepping Motor-42-X	
5	80030622	Deep Hook Ball Bearing-19-6-6	
6	3006100107	Drive Shaft-X-EM	
7	3006100109	Bearing Seat-Driven-X-EM	
8	3006100191	Drive Pulley-X-EM	
9	3006100195	Linear Guide Rail-X-EM	
10	3006100102	Embroidery Frame Connecting Plate-X-EM	
11	3006100104	Synchronous Belt Pressing Plate-X-EM	
12	3006100193	Synchronous Belt-X-Drive-EM	
13	3006100112	Light Baffle-Limit-X-EM	
14	3006100108	Bracket-Driven Pulley-X-EM	
15	3006100106	Tension Bracket-Driven Pulley-X-EM	
16	3006100190	Driven Pulley-XY-EM	
17	3006152106	Sensor Board-XY Limit	
18	3006100111	Sensor Base-Limit-X-EM	
19	80860304	Countersunk Cross Screw-M3x4	
20	80860406	Countersunk Cross Screw-M4x6	
21	80746304	Big Round Head Cross Screw-M3x5	
22	80030671	Type-E Clip-6	
23	80900428	Nut-M4-Chromeplated	
24	80810445	Cup-head Socket Head Screw-M4x45	
25	80810316	Cup-head Socket Head Screw-M3x16	
26	80900313	Spring Washer-M3-Black	
27	80900301	Flat Washer-M3	
28	80746408	Round Head Cross Screw-M4x8	
29	80810305	Cup-head Socket Head Screw-M3x5	
30	80810425	Cup-head Socket Head Screw-M4x25	
31	80900403	Flat Washer-M4-8-1-Chromeplated	
32	80900413	Spring Washer-M4-Black	
33	80810310	Cup-head Socket Head Screw-M3x10	
34	80880405	Socket Head Set Screw-M4x5	

09. Needle Bar Case

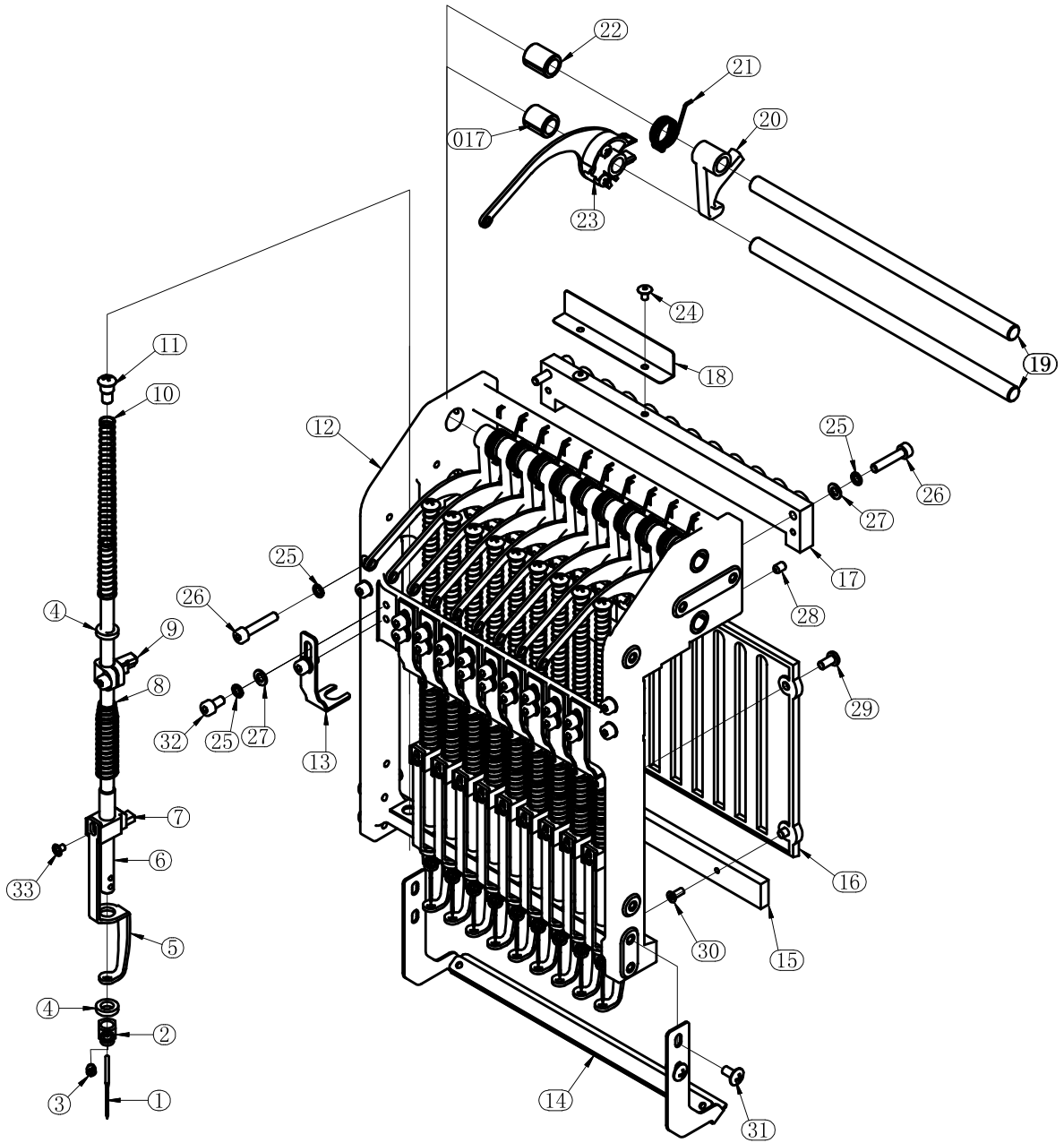


09.Needle Bar Case

06090V1

NO	Part Number	Parts Name	Remark
1	80621111	Needle-DBXK5-11	
2	1222181	Needle Clamp	
3	01222183	Needle Clamp Screw	
4	3006081022	Rubber Cushion-Needle Bar	
5	3006081021	Presser Foot-EM	
6	03080101	Needle Bar	
7	03080104	Needle Bar Presser Foot bushing	
8	03080108	Presser Foot Spring-DT	
9	01222106	Needle-needle Connecting Pin	
10	03080102	Needle Bar Spring-DT	
11	03080107	Needle Bar Screw-Extended	
12	3006081001	Needle Bar Frame-EM-10	
13	3006081023	Upper Locating Bracket-Needle Bar-EM	
14	3006081160	Upper Thread Clip-10	
15	3006081005	Lower Rail-EM-10	
16	3006081031	Needle Bar Guide Plate-EM-10	
17	3006040560	Color Change Base Component-Bearing-EM-10	
18	3006040517	Light Baffle-Needle-Position Detection	
19	3006081015	Take-up Lever Shaft-EM-10	
20	03081502	Fixture Block	
21	03081503	Torgue Spring for Set Block-V2	
22	3006081013	Take-up Lever baffle 8-12-16	
	3006081014	Take-up Lever baffle 8-12-17.5	
	3006081011	Take-up Lever baffle 8-12-13.5	
	3006081012	Take-up Lever baffle 8-12-15	
23	03081591	Take-up Lever Seat-RCM	
24	80746304	Big Round Head Cross Screw-M3x5	
25	80900413	Spring Washer-M4-Black	
26	80810420	Cup-head Socket Head Screw-M4x20	
27	80900403	Flat Washer-M4-8-0.8-Chromeplated	
28	80880406	Socket Head Set Screw-M4x6	
29	80740401	Small Round Head Cross Screw-M4x6	
30	80860326	Countersunk Head Cross Screw-M3x6	
31	80746408	Round Head Cross Screw-M4x8	

09. Needle Bar Case

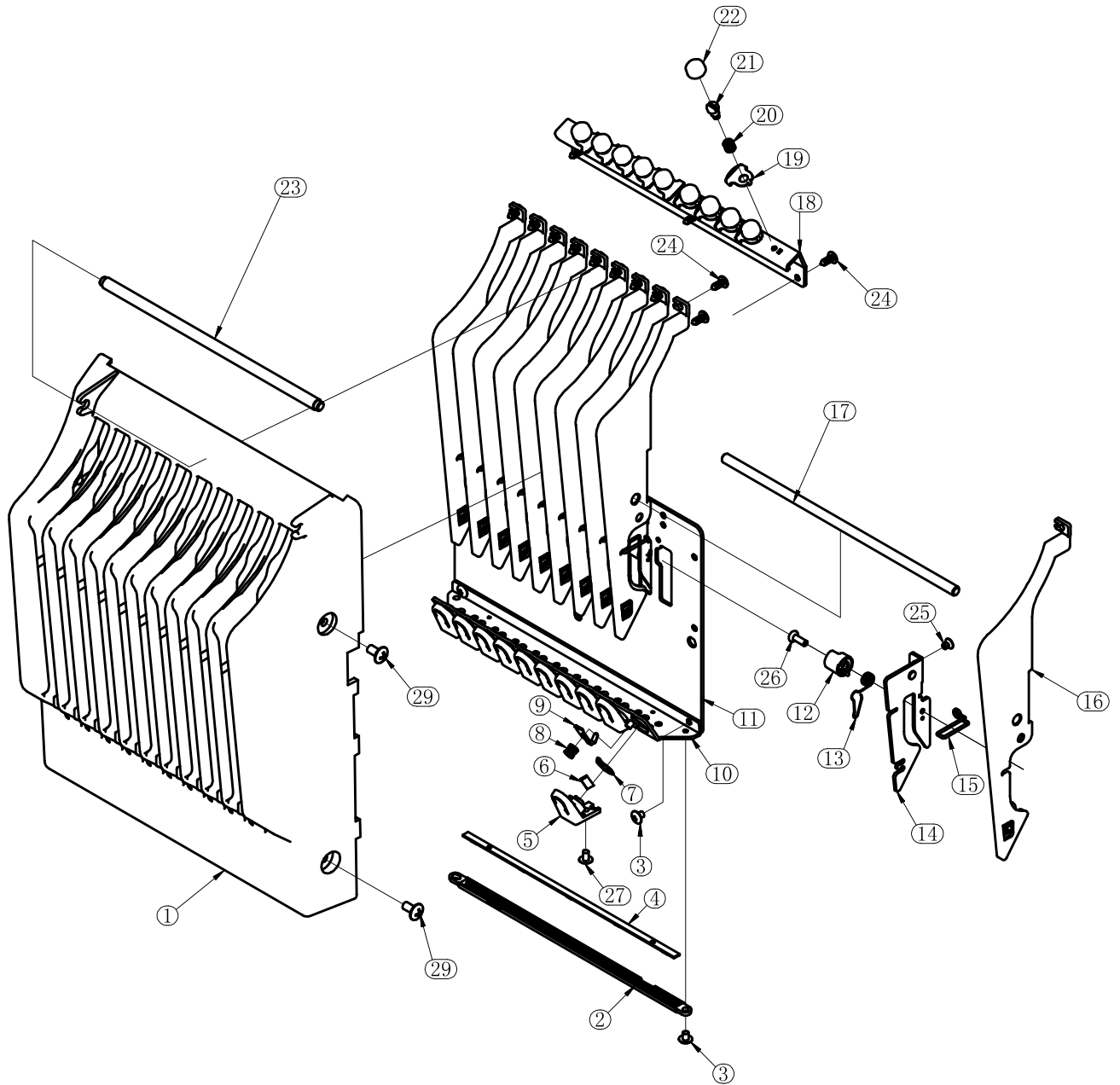


09.Needle Bar Case

06090V1

32	80810408	Cup-head Socket Head Screw-M4x8	
33	80742305	Flange-type Semi-round Cross Screw-M3x5	

10. Middle Thread-Course

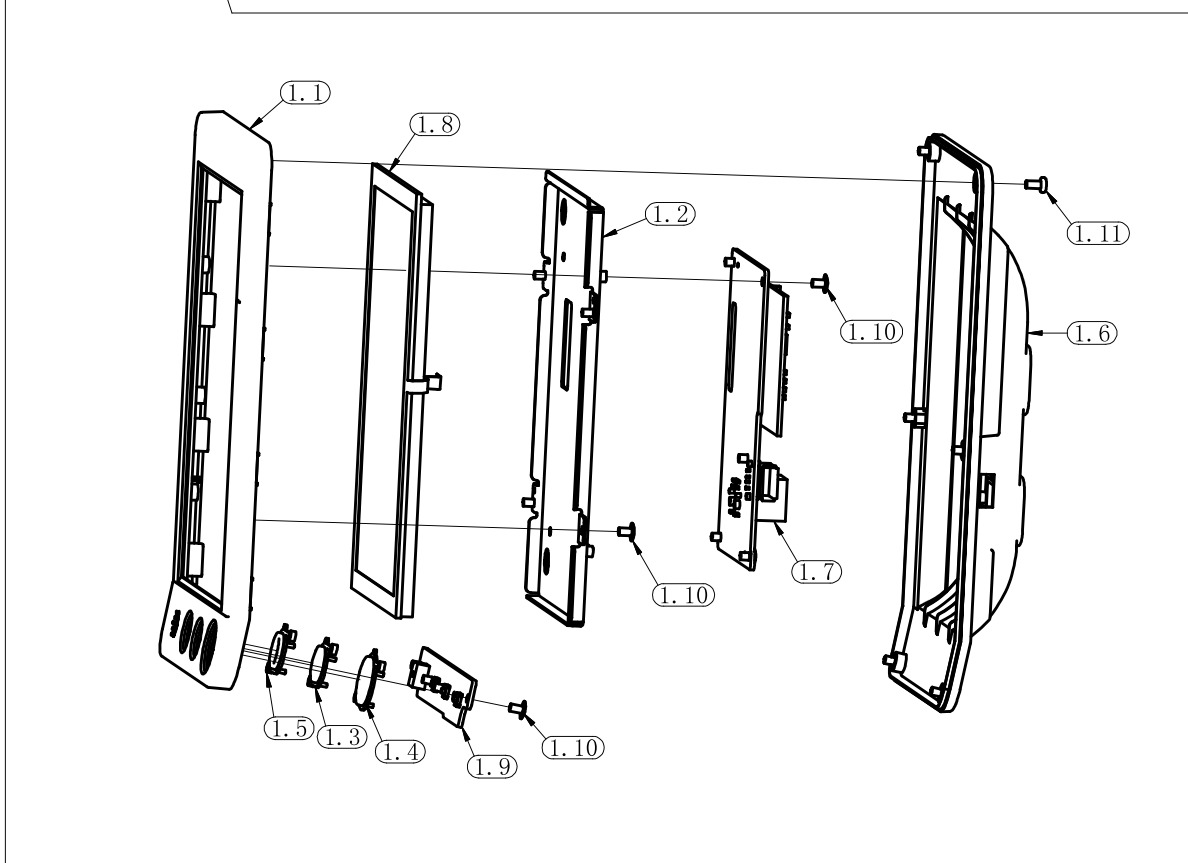
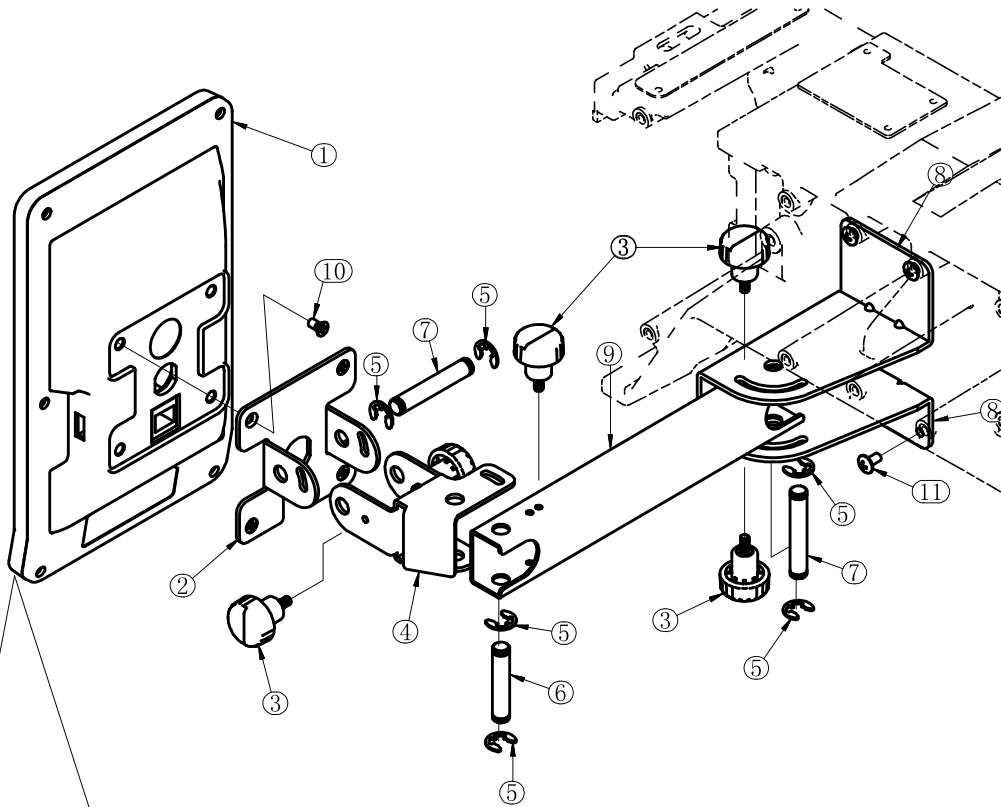


10.Middle Thread-Course

06100V1

NO	Part Number	Parts Name	Remark
1	3006081101	Middle Thread-course Cover-EM-10	
2	3006081141	Lighting Cover-EM	
3	80746304	Big Round Head Cross Screw-M3x4	
4	3006152111	LED lamp-EM	
5	3006081105	Thread-cutting Base--Bottom Thread-course-EM	
6	3006081119	Thread Cutter-LB30H	
7	3006081117	Self-Locking Spring--Thread Cutter---EM	
8	3006081136	Thread-fixing Spring--Lower Thread-course---EM	
9	3006081116	thread tension disk--Lower Thread-course--EM	
10	3006081115	Lower Thread-course--EM-10	
11	3006081111	Baseboard of Thread-branching Seat---EM-10	
12	3006081103	Take-up Spring Seat--Middle Thread-course-EM	
13	3006081137	Take-up Spring--Middle Thread-course-EM	
14	3006081112	Thread Branching Seat-EM	
15	3006081133	Thread-guide Clip--Middle Thread-course--EM	
16	3006081102	Thread-branching Board--EM--10	
17	3006081125	Middle Thread-course Shaft--EM-10	
18	3006081118	Upper Thread-course Bracket--EM-10	
19	3006081120	Thread-pressing Board--EM	
20	3006081132	Spring---Thread-pressing Board-EM	
21	3006081138	Step Screw 4.2-3-M3	
22	3006081104	Upper Cover of Thread-pressing Board--EM	
23	3006081124	Upper Thread-course Shaft--EM-10	
24	80700107	Screw-Semi-round Head Cross-ST2.9X7	
29	80746408	Round Head Cross Screw-M4x8	
25	80860304	Countersunk Cross Screw-M3x4	
26	80742308	Small Round Head Cross Screw-M3x8	
27	80746304	Big Round Head Cross Screw-M3x5	

11. Panel--Support

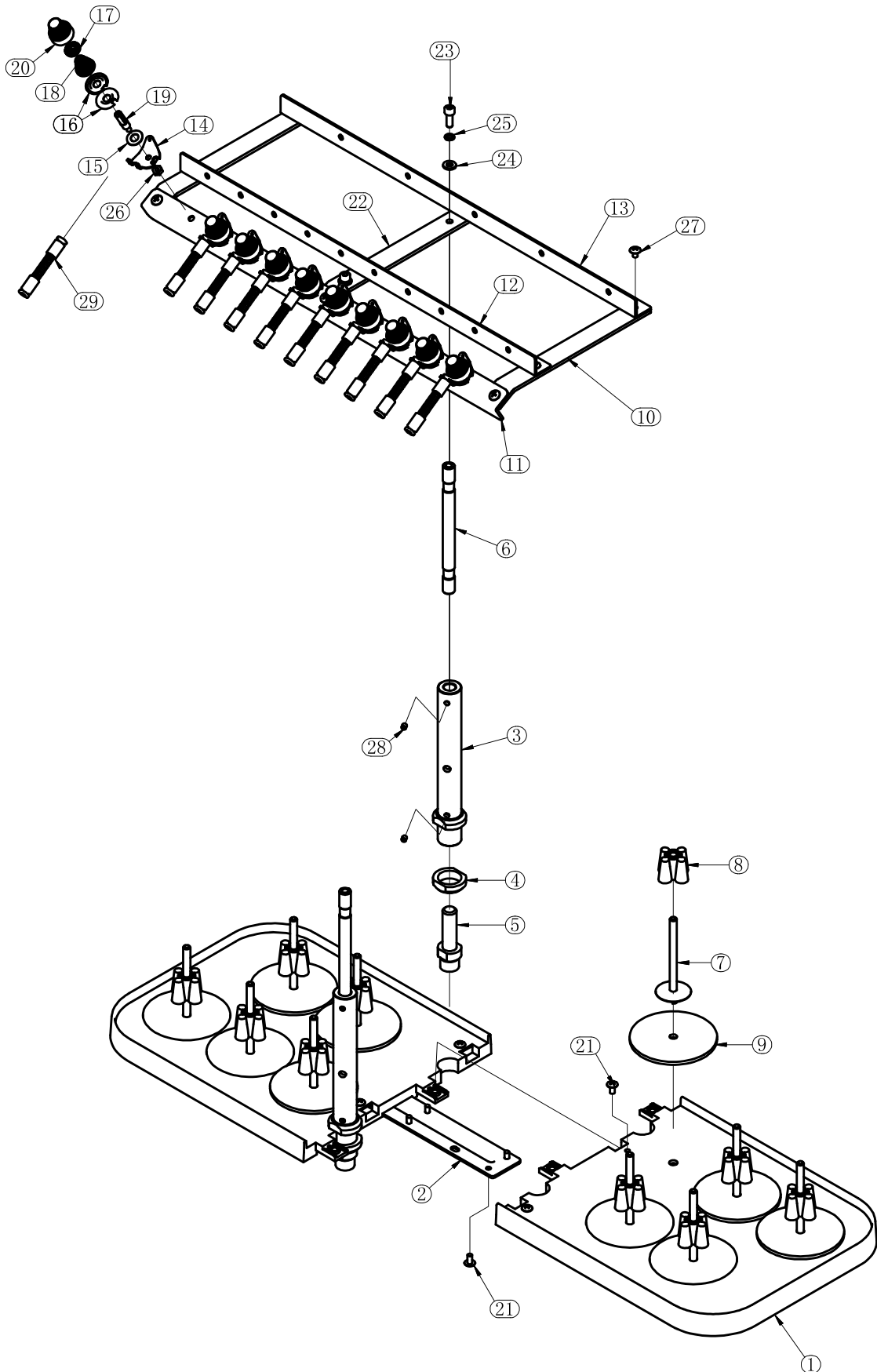


11.Panel-Support

06110V1

NO	Part Number	Parts Name	Remark
1	3006150160	Control panel-EM	
1.1	3006150101	Front Housing--Control panel-7V	
1.2	3006150141	Bracket--Main Board--7V	
1.3	3006150107	100° button-7V	
1.4	3006150105	Start/Stop button-7V	
1.5	3006150106	Thread-trimming Button--7V	
1.6	3006150102	Back Housing--Control panel--7V	
1.7	3006150121	ARM Board-LCD-7V	
1.8	3006150122	Display Screen--LCD--7V	
1.9	3006150133	Lower Keypad Board--7V	
1.10	80746304	Big Round Head Cross Screw-M3x5	
1.11	80742306	Small Round Head Cross Screw--M3x6	
2	3006092104	Stand D--Control panel--EM	
3	3006092121	Rubber-head Screw-Series E	
4	3006092103	Stand C--Control panel--EM	
5	80030871	Type-E Clip 8	
6	3006092112	Pin B--Stand of Control panel--EM	
7	3006092111	Pin A--Stand of Control panel---EM	
8	3006092101	Stand A--Control panel---EM	
9	3006092102	Stand B--Control panel---EM	
10	80860408	Countersunk Head Cross Screw-M4x8	
11	80746408	Round Head Cross Screw-M4x8	

12. Thread Tray and Thread Stand

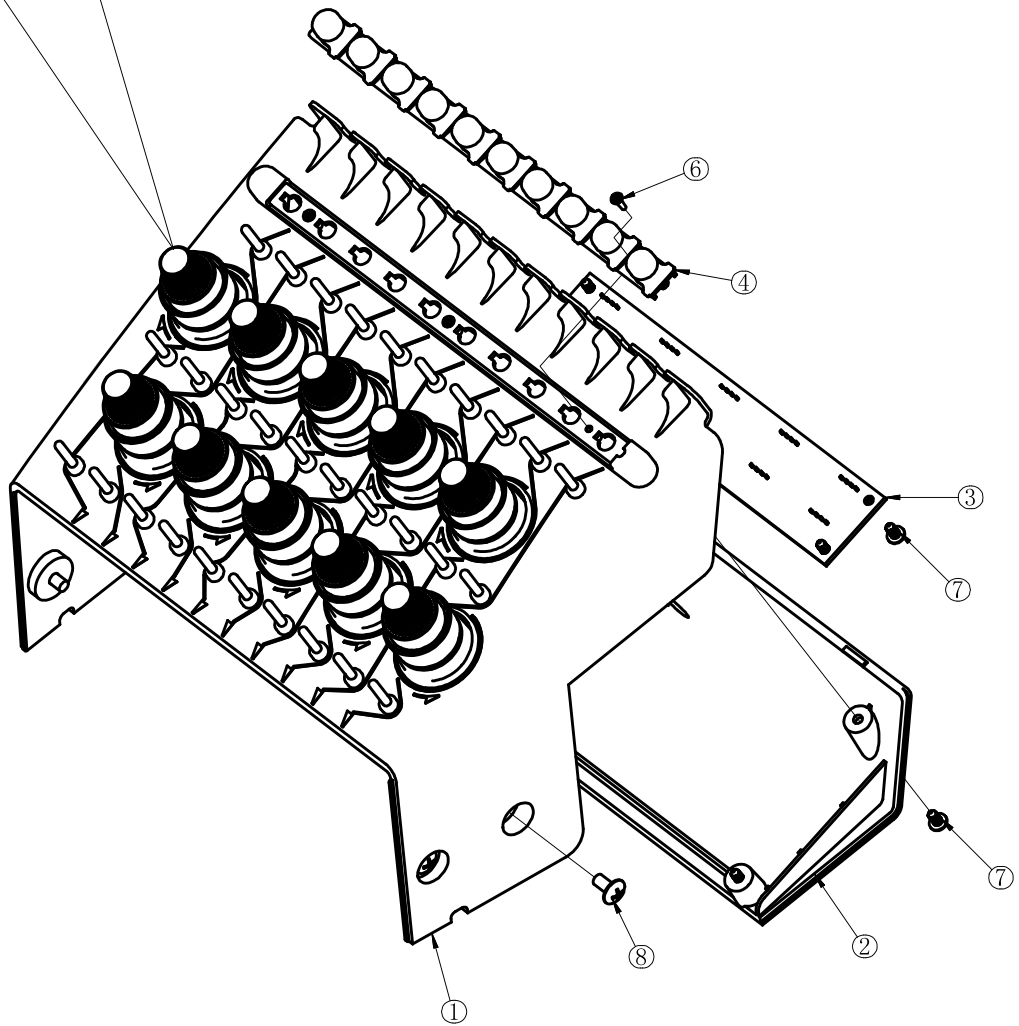
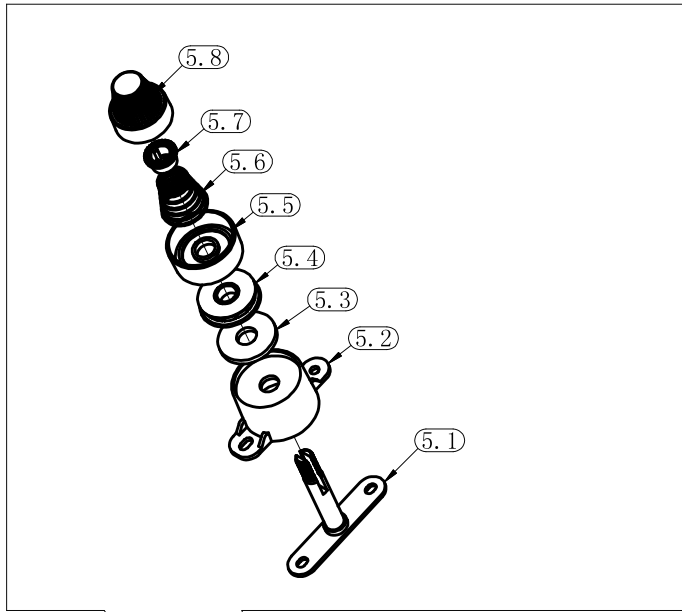


12.Thread Tray and Thread Stand

06120V1

NO	Part Number	Parts Name	Remark
1	3006091001	Thread Tray--EM	
2	3006091002	Reinforced Board--Thread Tray--EM	
3	3006091012	Guide Tube--Thread Stand Column--EM	
4	3006091014	Thread-thread Stand Column Nut M20	
5	3006091015	Locating Pin--Thread Stand Column--EM	
6	3006091013	Thread Stand Column--Adjustable	
7	80211007	Thread Pin	
8	80211008	Locating Bush--Thread Reel	
9	80211009	Sponge Cushion--Thread Reel	
10	3006091507	Connecting Board B--Thread Stand--EM	
11	3006091501	Thread Stand A-EM	
12	3006091502	Thread Stand B-EM	
13	3006091503	Thread Stand C-EM	
14	03141001	Thread Stand Thread-guide Board	
15	03141002	Felt-Thread Stand	
16	03144202	Thread-clamping Board--Thread Stand	
17	3006140118	Lock Washer--Thread Stand	
18	03144209	Pressing Plate Spring	
19	3006091510	Stud--Thread Stand--EM	
20	3006140119	Tension Knob-EM	
21	80746408	Round Head Cross Screw-M4x8	
22	3006091506	Connecting Board A--Thread Stand--EM	
23	80813514	Socket Head Screw-M5x14	
24	80900501	Flat Washer-M5-11-1.5-Chromeplated	
25	80900518	Spring Washer-M5-Stainless Steel	
26	80900528	Nut-Me-Chromeplated	
27	80746406	Round Head Cross Screw-M4x6	
28	80880405	Socket Head Set Screw-M4x5	
29	03044360	Thread-guide Tube--Spiral	

13. Table Guard Cover

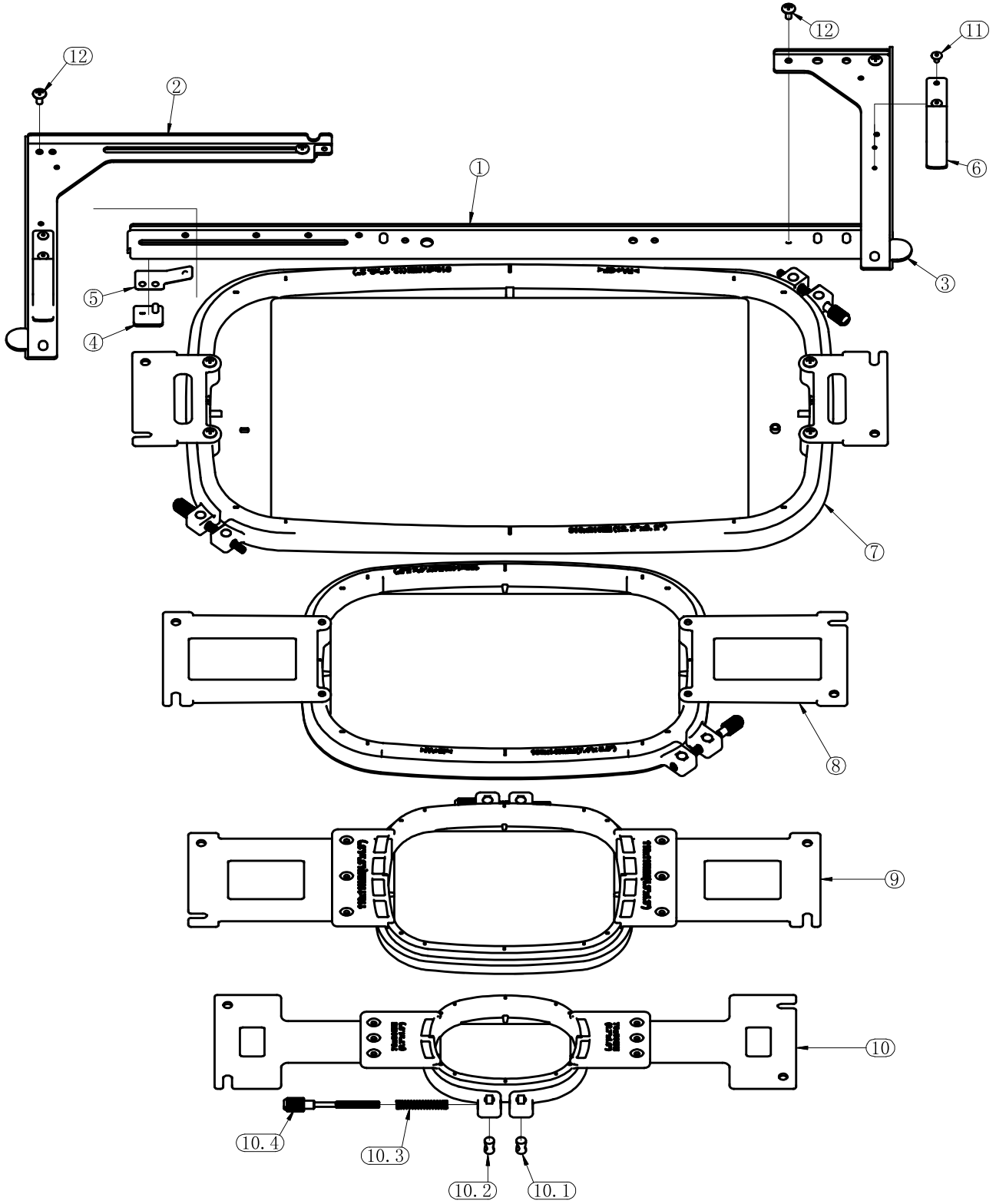


13. TABLE GUARD COVER

06130V1

NO	Part Number	Parts Name	Remark
1	3006140101	Thread-Tension Base-EM-10	
2	3006140102	Back Cover of the Thread-Tension Base--EM-10	
3	3006151202	Signal Exchange Board--Thread Break Detector-10	
4	3006140162	Thread-guide Component--Thread Tension Plate--Upper	
5	3006140160	Thread-Tension Base-EM	
5.1	3006140112	Knob Column--Tension Plate-EM	
5.2	3006140111	Tension Knob--EM	含光偶
5.3	3006140114	Felt-Thread-Thread Tension Base	
5.4	3006140163	Thread-guide Detection Pulley-Upper-EM	
5.5	3006140113	Tension Knob Cover-EM	
5.6	3006140115	Tension Spring--Thread Tension Plate-EM	
5.7	3006140118	Gear Set--Thread Tension Plate-EM	
5.8	3006140119	Tension Knob--EM	
6	80700308	Sank Head Cross Screw-ST2.9x8	
7	80700107	Screw-Semi-round Head Cross-ST2.9X7	
8	80746408	Round Head Cross Screw-M4x8	

14. Frames、Bracket

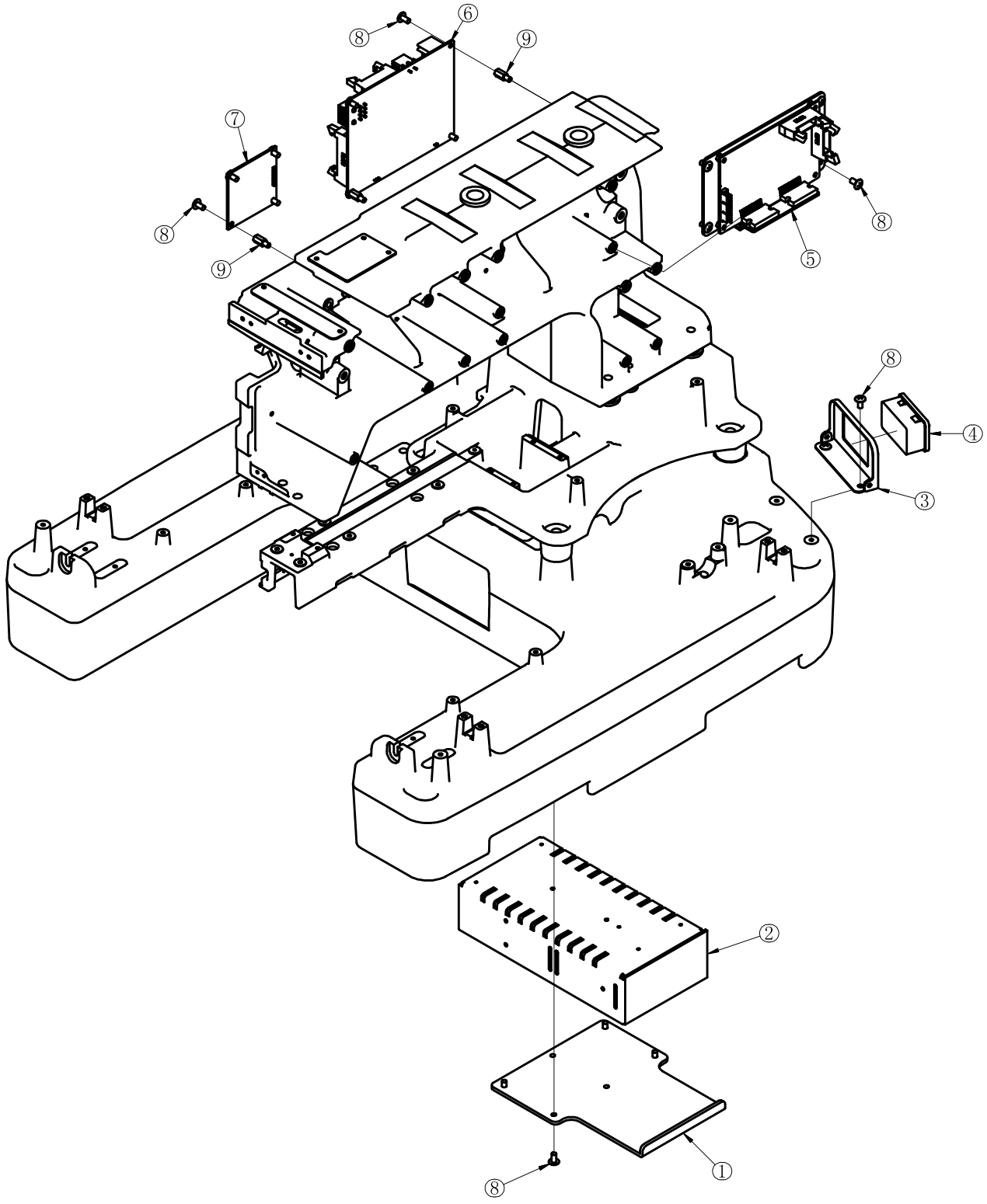


14. Frames、Bracket

06140V1

NO	Part Number	Parts Name	Remark
1	3006100201	Connecting Board fo Frame Holder-EM	
2	3006100202	Frame Holder-L-EM	
3	3006100203	Frame Holder-R-EM	
4	3006100205	Locating Block--Frame Holder-EM	
5	3006100206	Locating Spring--Frame Holder-EM	
6	3006100204	Frame Pressing Board-EM	
7	3006171460	Frame-EM-310x210	
8	3006171360	Frame -EM-190x140	
9	3006171260	Frame -EM-110x110	
10	3006171160	Frame -EM-70x50	
10.1	3006171418	Adjusting Nut B-Frame	
10.2	3006171417	Adjusting Nut A-Frame	
10.3	3006171416	Spring-Frame	
10.4	3006171415	Adjusting Bolt-Frame-EM	
11	80746304	Big Round Head Cross Screw-M3x5	
12	80746408	Round Head Cross Screw-M4x8	

15. Control System



15.Control System

06150V1

NO	Part Number	Parts Name	Remark
1	3006154101	Mounting Plate--Switching Mode Power Supply-EM	
2	3006153102	Switching Mode Power Supply-DC36-150W	
3	3006154103	Mounting Base-Switching Mode Power Supply-EM	
4	3006153101	Power Switch	
5	3006151111	Main Control Board-7V	
6	3006151101	Multi-functional Board-7V	
7	3006151201	Signal Exchange Board-Head-7V	
8	80746408	Round Head Cross Screw-M4x8	
9	80922003	Hexagon Stud--16--M4x6--Hole M4	

RiCOMA[®]