



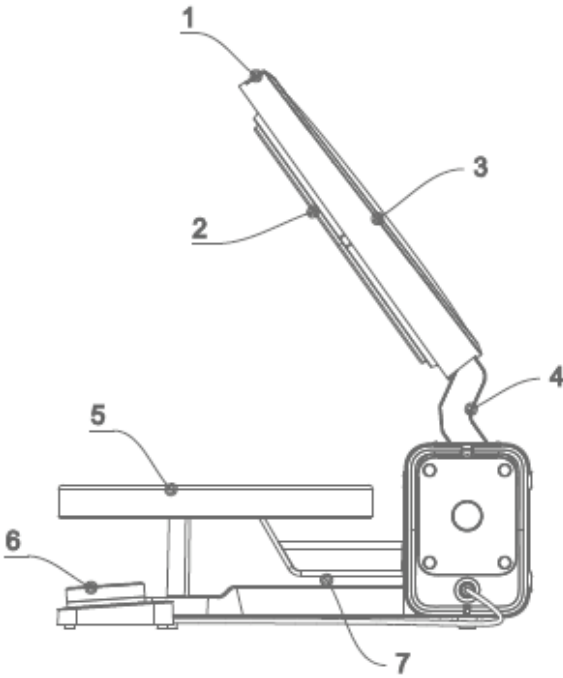
SINGER®

| momento

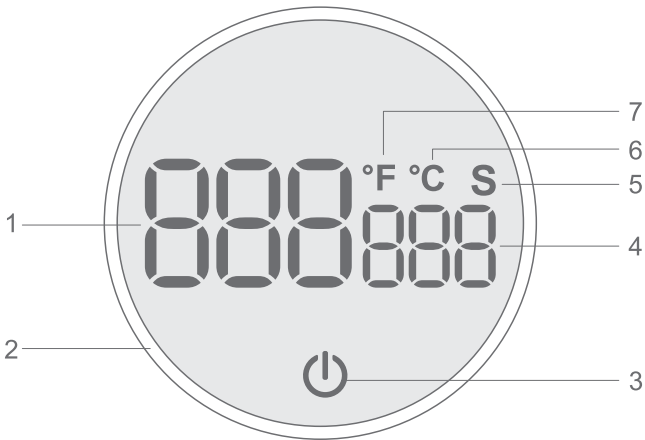
User Guide

Smart Press

Introduction



1. Start and stop buttons 2. Heating plate 3. Upper insulation shell 4. Press down holder 5. Heat insulation pad 6. LED Display 7. Geared motor

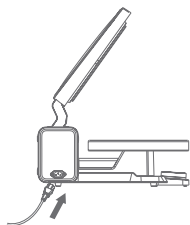


1. Temperature display 2. Knob switch 3. Start button 4. Time display 5. Time unit 6. Centigrade 7. Fahrenheit

Getting Started

1. Connect the power cord.

Connect the aviation connector of the heating plate, then connect the power cord to the power port on the side of the machine and insert the other end into the AC socket.



2. Startup

After power on, short press the power button to start the machine.

3. Set the temperature

Set the temperature and press the center of dial to confirm the temperature.

Note: if no temperature is selected, the machine will go into standby mode after 5 minutes.

4. Select timer

Select timer and press the center of dial to conform the timer.

5. Shutdown

Press and hold the power button for 3s to shut down.

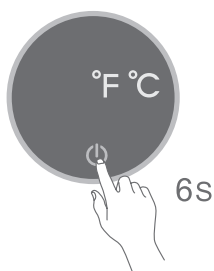
6. Auto shutdown

The machine will automatically shut down if there is no operation within 20 min.



Temperature unit conversion

°F↔°C



1. In stand by mode.
2. Press and hold the start button for 6s.
3. Turn the switch to select the required temperature unit.
4. Short press the start button to start the machine.

Temperature setting



1. Turn the display half a turn to the right.
2. Enter the temperature setting mode after a beep sound.
3. Turn the switch to the right to increase the temperature (+).
4. Turn the switch to the left to reduce the temperature (-).

Time setting



1. Turn the display half a turn to the left.
2. Enter the countdown setting mode after a beep sound.
3. Turn the switch to the right to increase the time (+).
4. Turn the switch to the left to reduce the time (-).

Guarantee

The products are strictly based on the Consumer Protection Law of the People's Republic of China and the Product Quality Law of the People's Republic of China. The services are as follows:

Within 12 months this product has the performance failure listed in the "Product Performance Failure Table". It is confirmed by manufacturer and can be used for maintenance service free of charge. If out of validity, damage caused by force majeure, or human causes, the machine is not covered by the warranty, repair in charae.

Cleaning and Maintenance

- A. Turn off the power button, and unplug from outlet.
- B. Some parts may still be hot, don't touch by hand before cooling down.
- C. Clean the surface with a damp cloth. Do not use abrasive cleaning balls to scrub to avoid damaging the coating.
- D. Wipe the inner and outer surfaces of this product with a soft wrung wet cloth. Do not directly clean this product with water.
- E. Before this product is used or stored, all parts must be cleaned, dried with a dry cloth and assembled back to the original positions for next use.

Basic parameters

Product name:	Electric high pressure heat press machine
Model:	momento Smart Press
Heating method:	Heating coil
Power	930W
Rated voltage/frequency:	120V~60Hz
Heating plate size:	290mm x 380mm
Temperature range:	40°C-205°C (104°F-401°F)
Time range:	1-1999s
Net weight:	15.1kg
Gross weight:	17.1kg
Outer box size:	575 x 480 x 280mm
Outer box volume:	0.077 cube

Warranty

Type	Items	Period
Whole machine	Parts of machine (excl. accessories)	1 year
Accessories	List the accessories	Not covered



SINGER®

| momento