

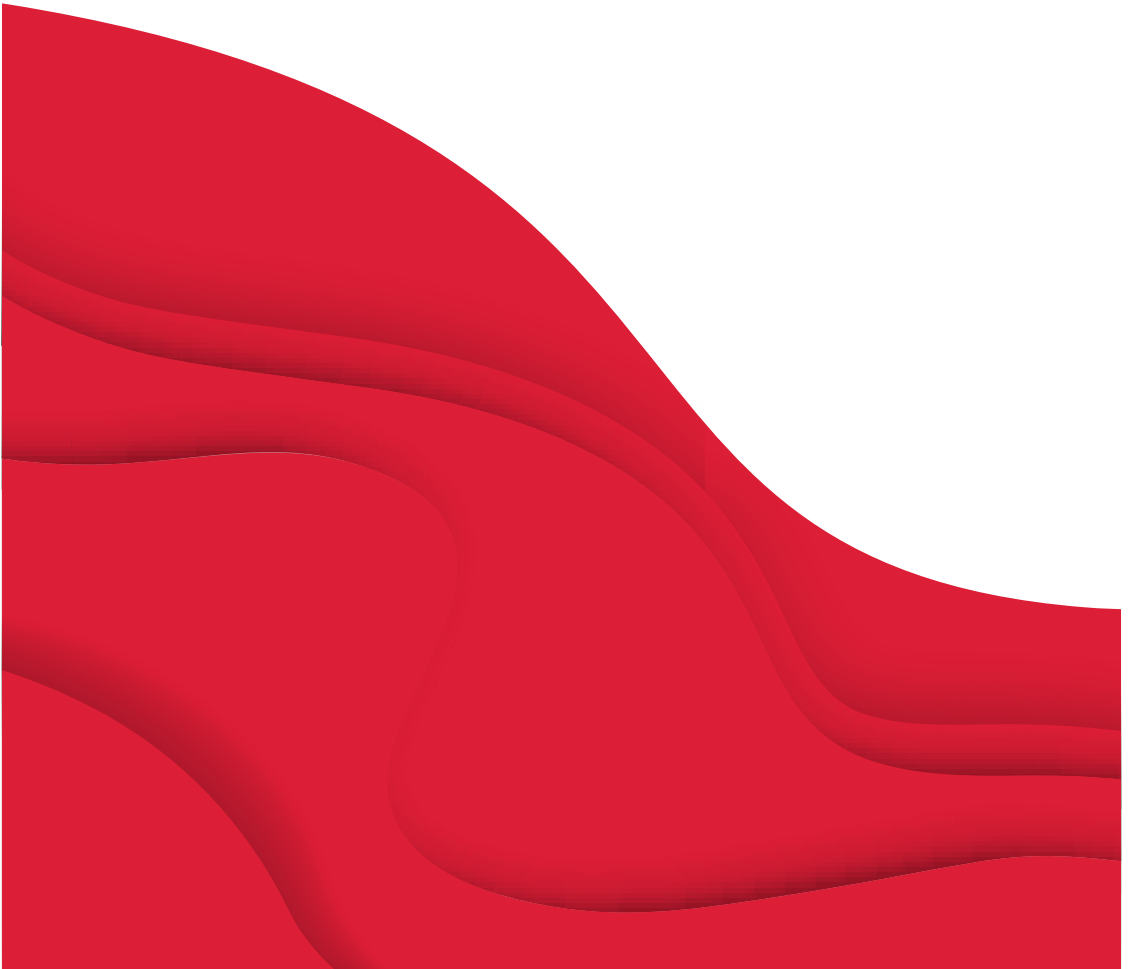


**SINGER**

| momento

# User Guide

Craft Cutting Machine



# IMPORTANT SAFETY INSTRUCTIONS

When using an electrical appliance, basic safety precautions should always be followed, including the following:

Read all instructions before using this product.

Keep the instructions at a suitable place close to the machine. Make sure to hand them over if the machine is given to a third party.

## **DANGER – TO REDUCE THE RISK OF ELECTRIC SHOCK:**

The plug on the power supply is used as the disconnect device. The machine should never be left unattended when plugged in. The electrical socket, to which the machine is plugged in should be easily accessible. Always unplug this machine from the electric outlet immediately after using and before cleaning, removing covers, lubricating or when making any other user servicing adjustments mentioned in the instruction manual.

## **WARNING – TO REDUCE THE RISK OF BURNS, FIRE, ELECTRIC SHOCK, OR INJURY TO PERSON:**

- This appliance is intended for use by adults. The appliance can be used with adult supervision by (i) children aged from 8 to 12 years and (ii) persons with reduced physical, sensory or mental capabilities or lack of experience and knowledge if they have been given instruction concerning use of the appliance in a safe way and understand the hazards involved. Cleaning and user maintenance shall not be made by children without supervision. It is not allowed for anyone to play with the machine. Children up to 8 years are not allowed to use the machine.
- Position the machine on a sturdy, level, and stable surface, and ensure that your workspace has sufficient space in both the front and back of the machine to enable the cutting mat to move through the machine without any obstruction.
- Do not allow to be used as a toy. Close attention is necessary when this machine is used by or near children.
- Use this machine only for its intended use as described in this manual. Use only attachments recommended by the manufacturer as contained in this manual.
- Never operate this machine if it has a damaged cord or plug, if it is not working properly, if it has been dropped or damaged, or dropped into water. Return the machine to the nearest authorized dealer or service center for examination, repair, electrical or mechanical adjustment.
- Never operate the machine with any air openings blocked. Keep ventilation openings of the machine free from the accumulation of lint, dust, and loose cloth.
- Always use the proper cutting blades, as using the wrong blades can cause them to break.
- Do not use bent cutting blades.
- Wear safety glasses.
- Do not use outdoors.

- Switch the machine off (“O”) when making any adjustment in the cutting area, such as changing the cutting blades.
- Do not operate where aerosol (spray) products are being used or where oxygen is being administered.
- To disconnect, turn all controls to the off (“O”) position, then remove plug from outlet.
- Do not unplug by pulling on cord. To unplug, grasp the plug, not the cord.
- Do not use the machine if it is wet.
- Please do not touch the mat or material during the cutting process, even if the mat or material has stopped moving. Only handle the mat or material once the machine has fully ejected it.
- If the LED lamp is damaged or broken, it must be replaced by the manufacturer or its service agent or a similarly qualified person, in order to avoid a hazard.





Please keep your fingers, hair, jewelry, loose clothing, and any other items away from all moving parts of the machine.



It is especially important to exercise caution around the sharp cutting blades.

## SAVE THESE INSTRUCTIONS

<b>Product Specifications</b>	
Model	Singer Momento 24" Craft Cutting Machine
Weight	14 KG
Power Supply  	GM60-240275-F (Foshan Shunde GUANYUDA Power Supply Co., Ltd.) or FJ-SW20172402700 (Shenzhen Fujia Appliance Co., Ltd.).

# Federal Communication Commission Interference Statement

For the USA and Canada

Responsible party: Singer Sourcing Limited LLC  
1714 Heil Quaker Boulevard, Suite 130, LaVergne, TN  
37086

Product name: Singer Momento 24" Craft Cutting Machine

This device complies with Part 15 of the FCC Rules. Operation is subject to the following two conditions: (1) This device may not cause harmful interference, and (2) this device must accept any interference received, including interference that may cause undesired operation.

To satisfy radio frequency exposure requirements, a separation distance of 8" (20 cm) or more should be maintained between this device and persons during device operation. To ensure compliance, operations at closer than this distance is not recommended. The built-in antenna used for this transmitter must not be co-located in conjunction with any other antenna or transmitter.

This equipment has been tested and found to comply with the limits for a Class B digital device, pursuant to Part 15 of the FCC Rules. These limits are designed to provide reasonable protection against harmful interference in a residential installation. This equipment generates, uses and can radiate radio frequency energy and, if not installed and used in accordance with the instructions, may cause harmful interference to radio communications. However, there is no guarantee that interference will not occur in a particular installation. If this equipment does cause harmful interference to radio or television reception, which can be determined by turning the equipment off and on, the user is encouraged to try to correct the interference by one of the following measures:

- Reorient or relocate the receiving antenna.
- Increase the separation between the equipment and receiver.
- Connect the equipment into an outlet on a circuit different from that to which the receiver is connected.
- Consult the authorized SINGER® retailer or an experienced radio/TV technician for help.

The included interface cable should be used in order to ensure compliance with the limits for a Class B digital device.



*Any changes or modifications not expressly approved by the party responsible for compliance could void the user's authority to operate this equipment.*

# TABLE OF CONTENTS

<b>INTRODUCTION .....</b>	<b>6</b>	<b>BLADE AND PEN</b>	
Intended Use .....	6	<b>INSTALLATION .....</b>	<b>14</b>
Machine Overview — Front .....	6	Installing Basic Blade Housing .....	14
Machine Overview — Back Side .....	7	Installing Rotary Blade Housing .....	15
Overview Accessories .....	7	Installing Pen .....	16
Optional Accessories .....	7		
		<b>PINCH WHEELS.....</b>	<b>17</b>
<b>PREPARATIONS .....</b>	<b>8</b>	How To Use The Pinchwheels .....	17
Unpacking The Machine .....	8		
Setting Up Machine .....	8	<b>LOADING THE MAT .....</b>	<b>18</b>
Layflat Door — Front Flap .....	9		
Naming the Machine .....	9	<b>WAYS TO CUT .....</b>	<b>18</b>
mySewnet.....	10	Matless Cutting - only for selected materials .....	19
Crafting Software.....	10	Camera Calibration Guide for	
LCD Screen .....	11	Left Pen .....	20
LCD Screen: Settings.....	11	Camera Calibration Guide for Right Tool Holder.....	21
<b>CONNECTING YOUR</b>			
<b>MACHINE.....</b>	<b>12</b>	Non-Original Parts and	
Connecting via WIFI .....	12	Accessories .....	22
Connecting via USB.....	13		

# INTRODUCTION

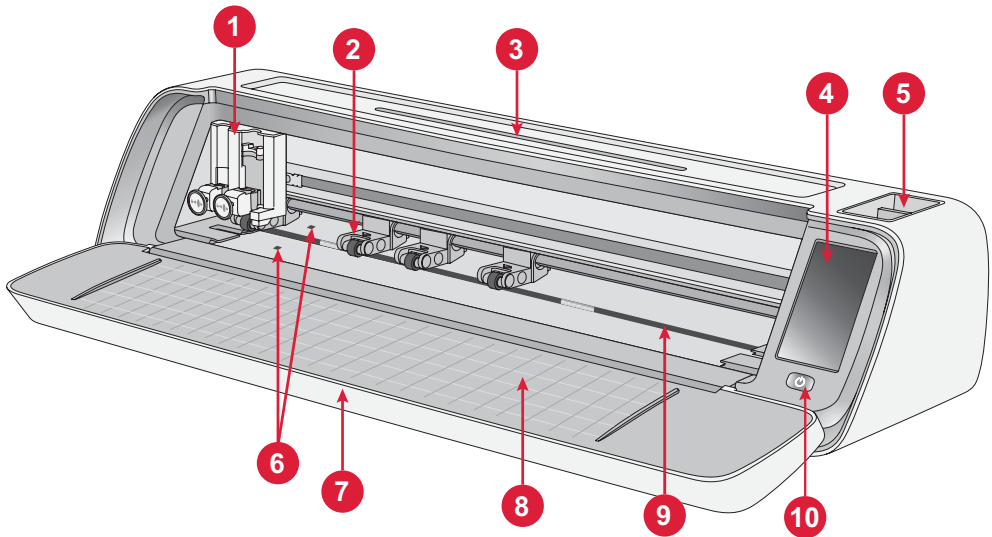
## Intended Use

The optimal uses are described in these instructions. This product is not intended for industrial or commercial use

Additional assistance, by region, may be found online at [www.singer.com](http://www.singer.com)

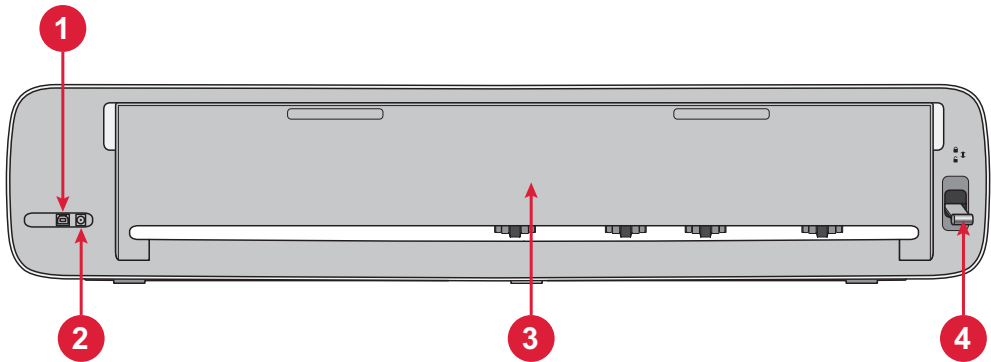
You can find a digital version of this manual online at [www.singer.com](http://www.singer.com)

## Machine Overview – Front



- |                          |                        |
|--------------------------|------------------------|
| 1. Dual Tool Holder      | 6. Auto Loading Sensor |
| 2. Pinch Wheels          | 7. Layflat Door        |
| 3. Tablet / Phone Holder | 8. Mat Guides          |
| 4. LCD Screen            | 9. Grit Shaft          |
| 5. Tool Storage          | 10. ON/OFF Switch      |

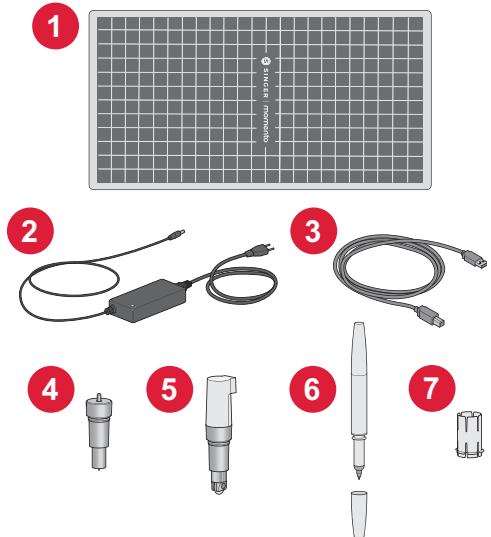
## Machine Overview — Back Side



1. Built-In USB-B Port - To Connect Machine To Computer
2. Socket For Power Cord
3. Rear Extension Door
4. Pinch Wheel Lever

## Overview Accessories

1. Standard Grip 12 X 24" Mat
2. Power Cord And Power Supply
3. USB-B cord
4. Basic Blade with Housing
5. Rotary Blade with Housing
6. Pen
7. Pen Adapter



## Optional Accessories

Additional optional accessories are available for your machine. Check with your local SINGER® retailer or [singer.com](http://singer.com) for more information.

# PREPARATIONS

## Unpacking The Machine

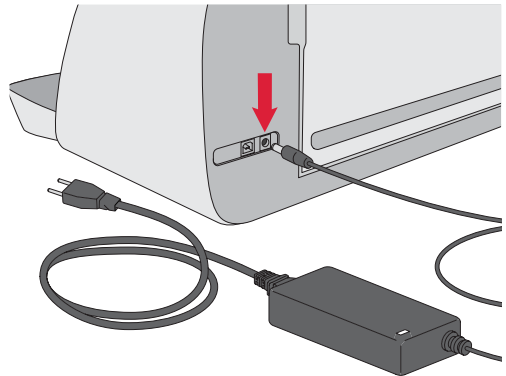
Verify that you have received all contents.

Remove all the protective packaging from the machine and accessories before turning the machine on.

Due to shipping, the cutting mat may have become slightly rounded from being in the box. If this happens, please lay the mat on a flat surface to straighten it.

## Setting Up Machine

1. Place your machine on a sturdy, horizontal surface. Make sure there is enough room both in front and behind the machine for the material to move in and out of the machine while cutting.
2. Connect the power adapter to the machine and then plug it into a wall outlet.
3. Open the layflat door of the machine.
4. Press the power button located under the LCD screen of the machine to turn it on. The lights will turn on and the machine heads will calibrate.
5. Wait until the machine beeps, indicating that it is ready to use.



**Note:** After turning off the machine, residual power may remain in the machine. This may cause the light to stay on for a few seconds while the power is consumed. This is normal for an energy efficient appliance.



## Layflat Door — Front Flap

Gently pull down on the front flap to open the door. The door is designed to open and fold down smoothly.

Once the front door is open, it should rest flat on the surface and be flush with the cutting area.

When you have finished using the machine, simply close the front door.

*Note: The rear extension door provides support and stability to larger projects whether with a mat or matless. The machine can operate with the rear extension door up or down.*

## mySewnet

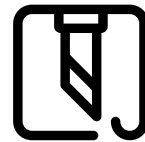
To get started and unleash the full power of your Singer Momento Craft Cutting Machine, visit the mySewnet website at [www.mysewnet.com](http://www.mysewnet.com). Here, you can create a free mySewnet account and download the free crafting software.



## Crafting Software

The Singer Momento Craft Cutting Machine requires the mySewnet crafting software to operate.

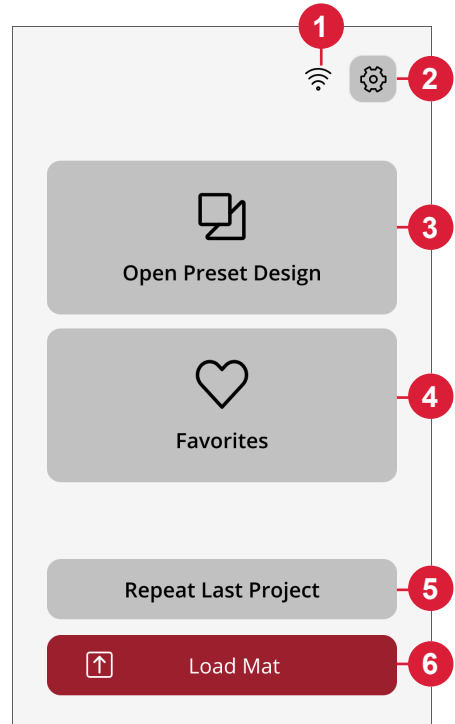
mySewnet provides guidance and tutorials for both beginners and advanced crafters alike. Whether crafting is a hobby or you are a professional, the mySewnet Crafting software can help you release your creativity and bring your ideas to life.



**Crafting**

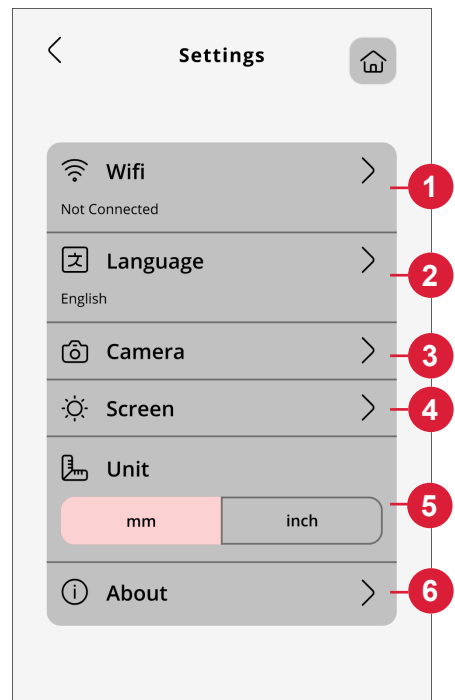
## LCD Screen

1. Wifi
2. Settings
3. Open Preset Design
4. Favorites
5. Repeat Last Project
6. Load Mat



## LCD Screen: Settings

1. Wifi
2. Language
3. Camera
4. Screen Brightness
5. Unit Settings
6. About



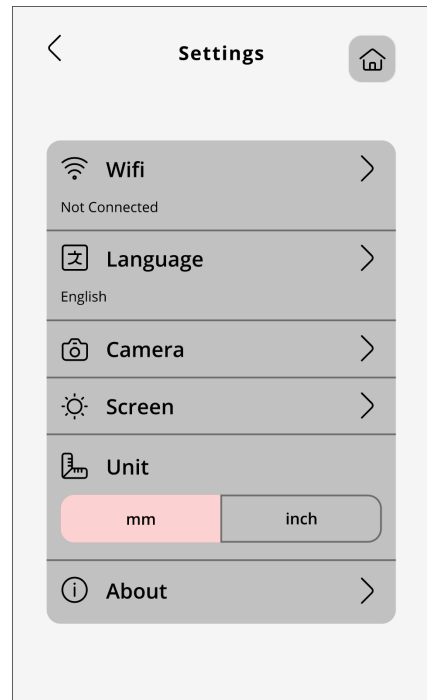
# CONNECTING YOUR MACHINE

To operate your machine, ensure that it is connected to a power source and that it is turned on. The machine can be connected via USB or Wi-Fi. It is recommended to use Wi-Fi as the primary connection method.

## Connecting via WIFI

Follow the steps below to connect your machine:

1. Go to the machine's Wi-Fi settings and select "Connect to Network."
2. The SSID and IP Address will be displayed, select the "Scan" button at the bottom of the screen.
3. A list of available networks will be displayed, select the network name you wish to connect to, then select connect.
4. When prompted, enter the Wi-Fi password and touch the confirm button to continue.
5. Wait for the machine to connect to the network. Once it is connected, there will be a beep confirming a successful connection.

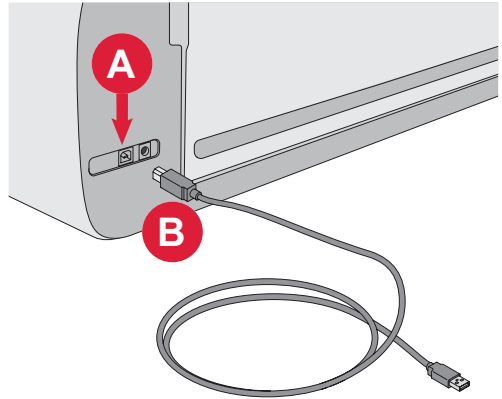


**All done!** You should now be able to access your machine wirelessly from your computer. To confirm that the machine is connected, you can try sending a test cut to the machine.

## Connecting via USB

Follow these steps for connecting via USB:

1. Locate the USB-B port on the back left side of the machine (A).
2. Plug the USB cord into the USB-B port (B).
3. Connect the other end of the USB cord to an available USB port on your computer. Once connected, your computer should automatically detect the machine.
4. Follow the Add new Machine process on the mySewnet Crafting Software to connect your Singer Momento Crafting Machine. Select the USB connection method.



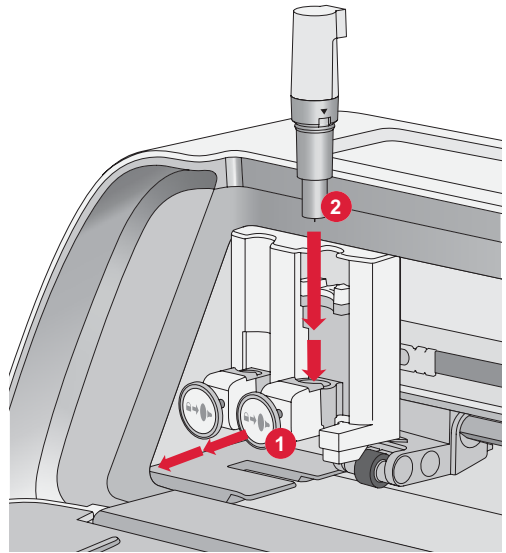
# BLADE AND PEN INSTALLATION

## Installing Basic Blade Housing

Make sure the machine is powered on.

1. Pull the locking mechanism of the right slot out.
2. Insert the basic blade housing into right slot, ensure that the groove on the blade line up with the groove on the mechanism.
3. When the blade appears to be seated properly, securely push the locking mechanism in.
4. If you can move the blade, then it is not inserted properly. Check that the locking mechanism is properly aligned with the blade.

To remove the basic blade: Pull the locking mechanism out and then remove the blade from the right slot.



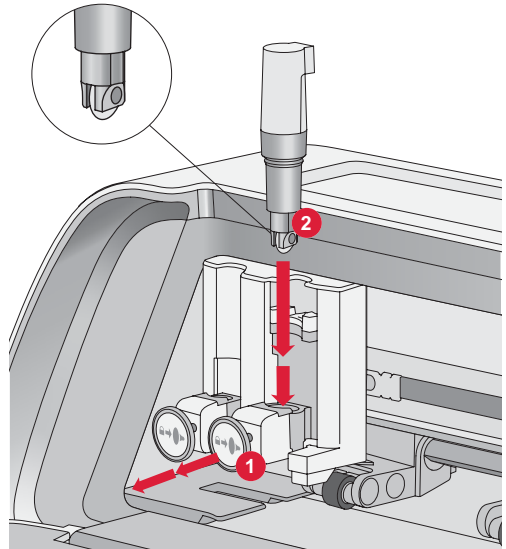
## Installing Rotary Blade Housing

Make sure the machine is powered on.

1. Pull the locking mechanism of the right slot out.
2. Insert the rotary blade housing into the right slot, ensure that the groove on the blade lines up with the groove on the mechanism. The rotary housing has a unique connection socket. This helps the machine to recognize the use of a speciality blade. Make sure the connector is securely seated in the socket opening located on top of the right slot in the dual tool holder.
3. When the blade appears to be seated properly, securely push the mechanism back into place. The blade should light up if it is inserted correctly.

**Note:** *If the blade does not light up, then it is not inserted properly. Check that the locking mechanism is properly aligned with the blade.*

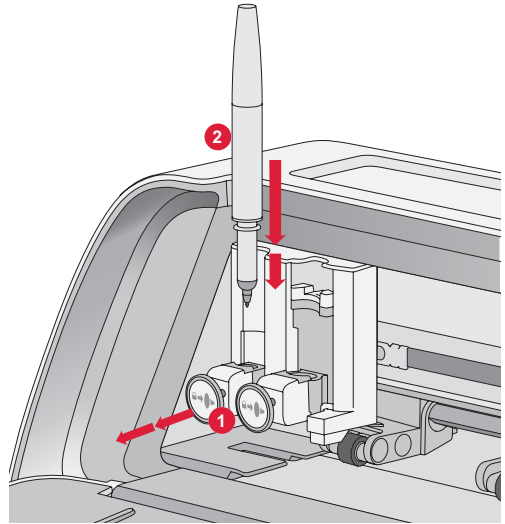
*To find instructions on replacing additional blades and more information, visit [mySewnet.com](http://mySewnet.com).*



## Installing Pen

Make sure the machine is powered on.

1. Pull the locking mechanism of the left slot out
2. Insert the pen into the left slot. Ensure that the groove on the pen lines up with the groove on the mechanism.
3. When the pen appears to be seated properly, securely push the mechanism in.
4. If you can move the pen, then it is not inserted properly. Check that the locking mechanism is properly aligned with the pen.

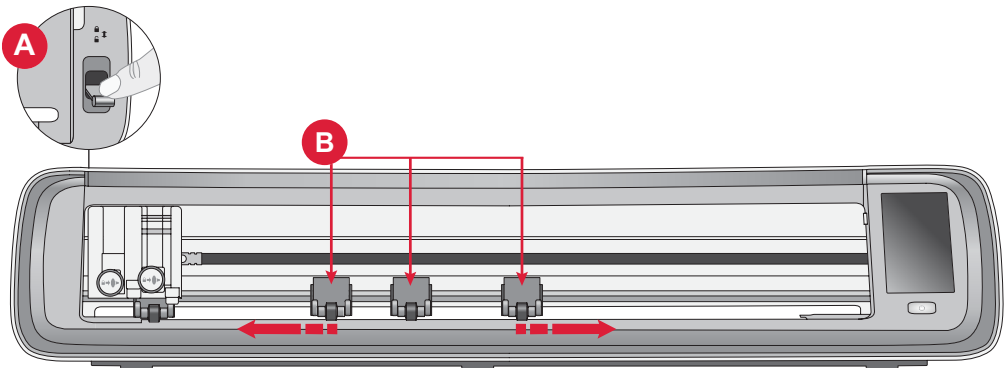




# PINCH WHEELS

## How To Use The Pinchwheels

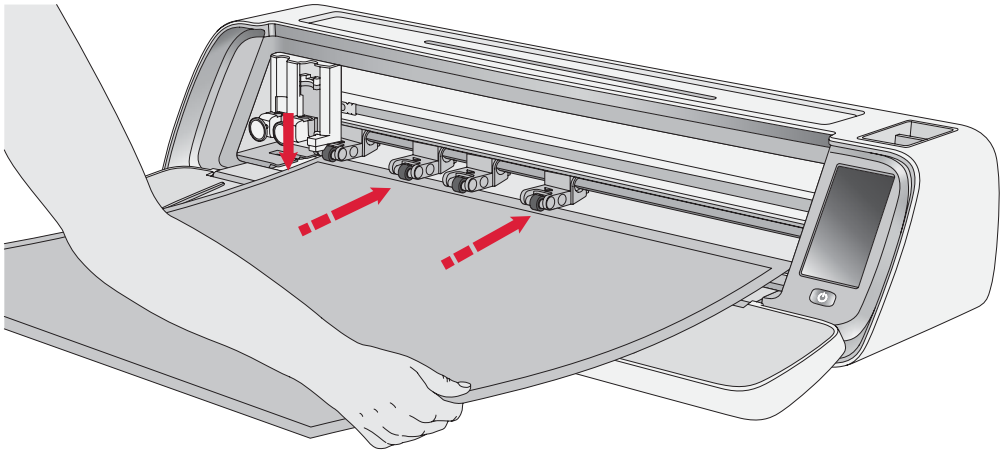
1. Locate the pinch wheel lever at the back-right side of the machine.
2. To raise the pinch wheels, pull the lever down (A).
3. Adjust the pinch wheels to span the width of your mat or the width of your material if cutting matless (B).



**Note:** The right pinch wheel must always be in contact with right side of the material or the cutting mat. The far-left pinch wheel is locked and cannot be moved. This ensures a stable mat placement during the cutting process.

**Note:** For a pinch wheel to grip properly, it must be positioned over a grit shaft. There are two areas where the grit shaft is missing, pinch wheels cannot be placed in these areas.

## LOADING THE MAT



You can load the mat anytime during your project process before cutting.

1. Securely align your mat along the left guide.
2. Push the mat forward until it makes contact with the pinch wheel rollers.
3. On the screen, touch the "Load Mat" button to load the mat.

4. The machine will pull the mat back and forth, stopping with the top edge securely under the pinch wheels.

**Note:** Make sure not to place the middle pinch wheels over the mat sensor.

Touch the eject button to unload the mat.

## WAYS TO CUT

There are three ways to cut, using the machine LCD screen preset quilting designs, favorites and from the mySewnet cutting application.

For more information, go to [mysewnet.com](http://mysewnet.com)

## Matless Cutting - only for select materials

Matless cutting provides a convenient and efficient option for a variety of materials. For a list of materials recommended for matless cutting, go to [mysewnet.com](http://mysewnet.com)

1. Push the pinch wheel lever down to unlock
2. To ensure the best results all pinch wheels must be in contact with the material

*Note: It is important that the last (far right) pinch wheel makes contact with the material to ensure proper feeding through the machine.*

3. Once the pinch wheels are in the correct position, raise pinch wheel lever to lock.
4. Push the material forward until it makes contact with the pinch wheel rollers. On the screen, touch the "Load Mat" button to load the material.
5. The machine will pull the material back and forth, stopping with the top edge securely under the pinch wheels.
6. On the app, load the design and select "no mat" and the appropriate material.

When the cut is complete, press the eject button to unload the material.

**Note:** *It is recommended to perform a test cut when adjusting settings or starting new cuts. This ensures that the settings and pinch wheel positioning are correct for optimal results*

## Camera Calibration Guide for Left Pen

Camera calibration is an essential process to ensure precise positioning and accurate results when doing print and cut. By following these step-by-step instructions, you can easily calibrate the camera for optimal performance.

Before you begin, make sure to gather the following items:

- Pen (included with the machine)
- Cardstock
- Mat

### Instructions:

1. Power on your machine.
2. Place the pen into the left tool holder securely.
3. Place the cardstock on the mat, ensuring it is aligned properly in the top left corner of the mat.
4. Load the mat into the machine.
5. Touch the settings button on the machine's LCD screen and select the "Camera" option.
6. In the camera settings, choose "Adjust" to enter the calibration screen.
7. Once in the calibration screen, choose "Adj L" to begin the calibration process for the left pen.
8. The machine will automatically draw a "田" symbol on the card-

stock. Allow the machine to finish the drawing.

9. After the drawing is completed, touch the middle position of the + symbol on the captured image displayed on the screen. Adjust its position close to the center and confirm by tapping "OK."
10. The machine will automatically create a blue dashed line to coincide with the + symbol in the captured image. Verify the alignment, and when satisfied, press "GET" to save the calibration parameters.

## Camera Calibration Guide for Right Tool Holder

Before you begin the calibration, make sure to gather the following items:

- Pen and Pen Adaptor (both included with the machine)
- Cardstock
- Mat

### Instructions:

1. Power on your machine.
2. Take the pen adaptor and push the pen securely into it. Now, load the pen with the adaptor into the right tool holder of the machine.
3. Place the cardstock on the mat, ensuring it is aligned properly in the top left corner of the mat.
4. Press the “Load Mat” button to load the mat into the machine.
5. Tap the settings button on the machine’s LCD screen and select the “Camera” option.
6. In the camera settings, choose “Adjust” to access the calibration screen.
7. Once in the calibration screen, choose “Adj R” to initiate the calibration process for the right pen.
8. The machine will automatically draw a “田” symbol on the cardstock. Allow the machine to finish the drawing.
9. After the drawing is completed, touch the middle position of the + symbol on the captured image displayed on the screen. This will create a red + close to the center position of the + symbol. Confirm by tapping “OK.”
10. The machine will automatically generate a blue dashed line to coincide with the + symbol in the captured image. Verify the alignment, and when satisfied, press “GET” to save the calibration parameters.

## **Non-Original Parts and Accessories**

The warranty does not cover any defect or damage caused by the use of non-original accessories or parts.

## **INTELLECTUAL PROPERTY**

SINGER and the Cameo “S” Design are exclusive trademarks of The Singer Company Limited S.à.r.l. or its Affiliates. MOMENTO is an exclusive trademark of Singer Sourcing Limited LLC or its Affiliates. © 2023 The Singer Company Limited S.à.r.l. or its Affiliates. All rights reserved.

*We reserve the right to change the machine equipment and the assortment of accessories without prior notice, or make modifications to the performance or design. Such modifications, however, will always be to the benefit of the user and the product.*



Please note that on disposal, this product must be safely recycled in accordance with relevant National legislation relating to electrical/ electronic products. Do not dispose of electrical appliances as unsorted municipal waste, use separate collection facilities. Contact your local government for information regarding the collection systems available. When replacing old appliances with new ones, the retailer may be legally obligated to take back your old appliance for disposal free of charge.

If electrical appliances are disposed of in landfills or dumps, hazardous substances can leak into the groundwater and get into the food chain, damaging your health and well-being.



FR  
Cet appareil,  
ses accessoires  
et piles  
se recyclent

À DÉPOSER  
EN MAGASIN

À DÉPOSER  
EN DECHETERIE



OU



Points de collecte sur [www.quefairedemesdechets.fr](http://www.quefairedemesdechets.fr)  
Privilégiez la réparation ou le don de votre appareil !

## MANUFACTURER

VSM Group AB, SVP WORLDWIDE

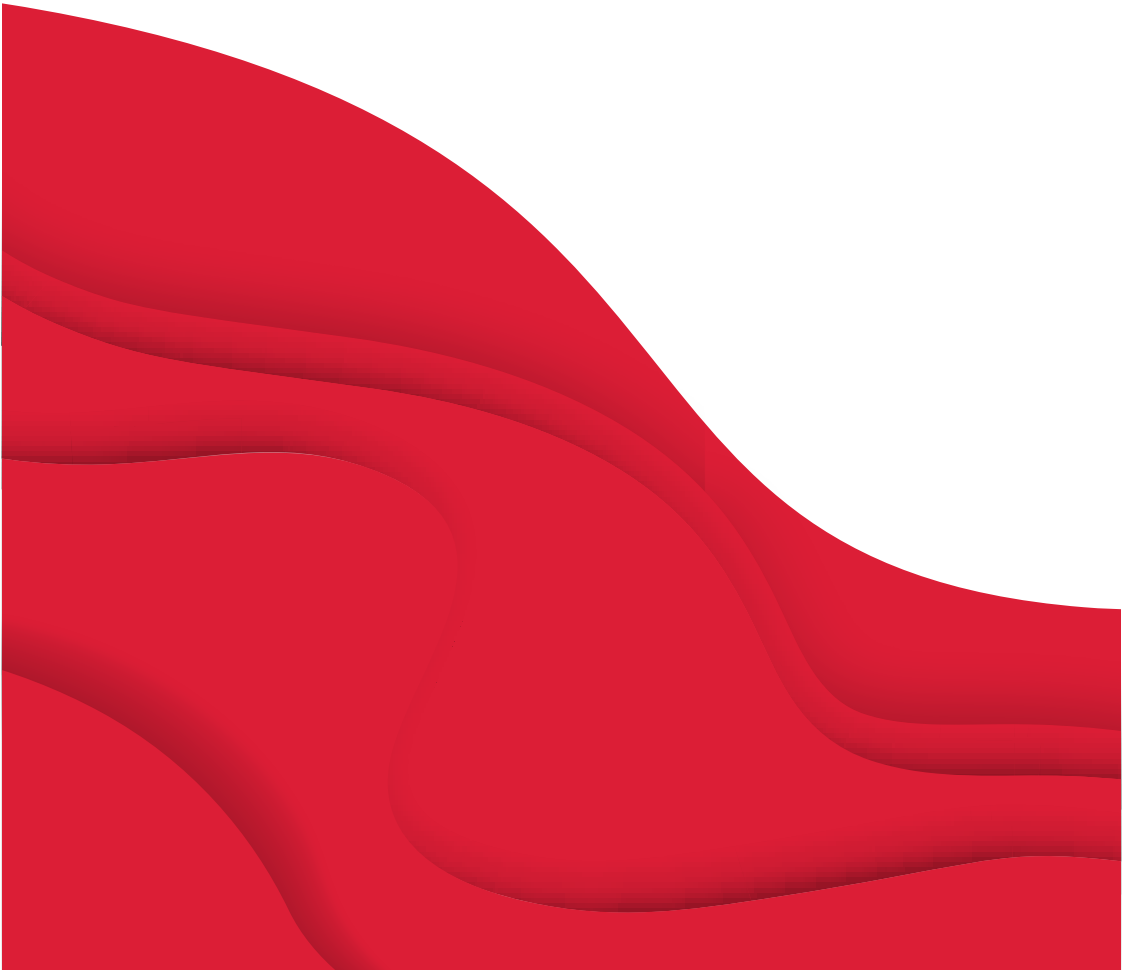
Soldatorpsgatan 3, SE-55474 Jönköping, SWEDEN



**SINGER** | momento

# Guide de l'utilisateur

Machine à découper





# CONSIGNES DE SÉCURITÉ IMPORTANTES

Lors de l'utilisation d'un appareil électrique, Les précautions de sécurité essentielles doivent toujours être respectées, y compris les suivantes :

Lisez attentivement toutes les consignes avant d'utiliser ce produit.

Conservez les consignes de sécurité dans un lieu approprié à proximité de la machine.

Veillez à les transmettre avec la machine si celle-ci est donnée à une autre personne.

## DANGER — POUR RÉDUIRE LE RISQUE DE DÉCHARGE ÉLECTRIQUE :

La fiche sur l'alimentation électrique est utilisée comme dispositif de déconnexion. La machine ne doit jamais être laissée sans surveillance lorsqu'elle est branchée. La prise électrique sur laquelle la machine est branchée doit être facilement accessible. Débranchez toujours cette machine de la prise immédiatement après l'avoir utilisée et avant de la nettoyer, d'enlever les protections ou de la lubrifier, ou lorsque vous effectuez tout autre réglage parmi ceux mentionnés dans le manuel d'instruction.

## AVERTISSEMENT — POUR RÉDUIRE LE RISQUE DE BRÛLURES, D'INCENDIE, DE DÉCHARGE ÉLECTRIQUE OU DE BLESSURES CORPORELLES :

- Cet appareil est destiné à être utilisé par des adultes. L'appareil peut être utilisé sous la surveillance d'un adulte par (i) des enfants âgés de 8 à 12 ans et (ii) des personnes aux capacités physiques, sensorielles ou mentales réduites ou manquant d'expérience et de connaissances si elles ont reçu des instructions concernant l'utilisation de l'appareil en toute sécurité et comprennent les risques encourus. Le nettoyage et l'entretien à réaliser par l'utilisateur ne doivent pas être effectués par des enfants sans surveillance. Il est interdit à quiconque de jouer avec la machine. Les enfants de moins de 8 ans ne sont pas autorisés à utiliser la machine.
- Placez la machine sur une surface solide, plane et stable, et assurez-vous que votre espace de travail dispose de suffisamment d'espace à l'avant et à l'arrière de la machine pour permettre à la planche de découpe de se déplacer dans la machine sans obstruction.
- Ne laissez pas les enfants jouer avec la machine. Il est fortement recommandé de redoubler d'attention lorsque cette machine est utilisée par des enfants ou à proximité d'enfants.
- N'utilisez cette machine que pour l'usage prévu, comme décrit dans ce manuel. N'utilisez que les accessoires recommandés par le fabricant, conformément aux indications fournies dans ce manuel.
- N'utilisez jamais cette machine si la prise ou le cordon sont endommagés, si elle ne fonctionne pas correctement, si elle est tombée par terre ou dans l'eau, ou si elle a été endommagée. Retournez la machine au distributeur ou au centre technique le plus proche pour toute révision, réparation ou réglage mécanique ou électrique.
- Ne faites jamais fonctionner la machine si une ou plusieurs ouvertures

de ventilation sont obstruées. Évitez toute présence de peluche, poussières et chutes de tissus dans la ventilation de la machine.

- Utilisez toujours les lames de découpe appropriées, car l'utilisation de mauvaises lames peut entraîner leur rupture.
- Ne pas utiliser de lames de découpe courbées.
- Portez des lunettes de sécurité.
- Éteignez la machine (« O ») lorsque vous effectuez des réglages dans la zone de coupe, comme le remplacement des lames de découpe.
- N'utilisez pas la machine à l'extérieur.
- N'utilisez pas votre machine à proximité de bombes aérosol ou de vaporisateurs ou lorsque de l'oxygène est administré.
- Pour débrancher, commencez toujours par éteindre votre machine (interrupteur en position « O »).
- Ne débranchez pas la machine en tirant sur le cordon. Pour débrancher, saisissez la prise et non le cordon.
- N'utilisez pas la machine si elle est mouillée.
- Ne touchez pas la planche ou le matériau pendant le processus de

découpe, même si la planche ou le matériau a cessé de bouger. Ne manipulez la planche ou le matériau qu'une fois que la machine l'a entièrement éjecté.

- Si le voyant LED est endommagé ou cassé, il doit être remplacé par le fabricant ou son agent de service, ou toute autre personne qualifiée, afin d'éviter les risques.





Maintenez vos doigts, vos cheveux, vos bijoux, vos vêtements amples et tout autre objet à l'écart des pièces mobiles de la machine. Il est particulièrement important de faire preuve de prudence à proximité des lames de découpe.



Il est particulièrement important de faire preuve de prudence autour des lames tranchantes.

## CONSERVEZ CES CONSIGNES DE SÉCURITÉ

Spécifications du Produit	
Modèle	Singer Momento 24" Craft Cutting Machine
Poids	14 KG
Alimentation électrique  	GM60-240275-F (Foshan Shunde GUANYUDA Power Supply Co., Ltd.) or FJ-SW20172402700 (Shenzhen Fujia Appliance Co., Ltd.).

# Déclaration de la FCC sur les interférences radio

Pour les États-Unis et le Canada

Partie responsable : Singer Sourcing Limited LLC  
1714 Heil Quaker Boulevard, Suite 130, LaVergne, TN  
37086

Nom du produit : Machine à découper Singer Momento 24 pouces

Cet appareil est conforme à la Partie 15 des normes de la FCC. L'utilisation est soumise aux deux conditions suivantes : (1) Cet appareil ne doit pas provoquer d'interférences nocives et (2) cet appareil doit accepter de recevoir des interférences, y compris des interférences pouvant impliquer un dysfonctionnement.

Pour satisfaire aux exigences d'exposition en matière de radiofréquences, une distance de séparation de 20 cm (8 po) ou plus doit être maintenue entre cet appareil et les personnes pendant son fonctionnement. Pour faire en sorte que les opérations soient conformes, il n'est pas recommandé de les effectuer à une distance inférieure à cette distance. L'antenne intégrée utilisée pour cet émetteur ne doit pas être installée à proximité d'une autre antenne ou d'un autre émetteur.

Selon des tests effectués, cet équipement respecte les limites d'un dispositif numérique de Classe B, conformément à la Partie 15 des normes de la FCC. Ces limites sont conçues pour offrir une protection raisonnable face aux interférences nocives d'une installation résidentielle. Cet équipement produit, utilise et peut dégager une énergie de fréquence radio et s'il n'est pas installé et utilisé conformément aux instructions, il peut provoquer des interférences nocives sur les communications radio. Toutefois, il n'est pas garanti que cette interférence ne puisse pas se produire dans une installation particulière. Si cet équipement provoque des interférences nocives sur la réception radio ou de télévision, ce qui peut être détecté en l'allumant et l'éteignant, il convient que l'utilisateur tente de corriger l'interférence par l'une des mesures suivantes :

- Réorienter ou changer l'antenne réceptrice de place.
- Augmenter la distance entre l'équipement et le récepteur.
- Brancher l'équipement sur une prise se trouvant sur un circuit différent de celui où est connecté le récepteur.
- Demandez l'aide d'un revendeur agréé SINGER® ou d'un technicien qualifié en radio/TV.

Le câble d'interface inclus doit être utilisé pour garantir la conformité avec les limites d'un dispositif numérique de classe B.



*Tout changement ou modification effectué sans l'approbation expresse de la partie responsable de la conformité peut dénier l'utilisateur du droit de faire fonctionner l'équipement.*

# TABLE DES MATIÈRES

<b>INTRODUCTION .....</b>	<b>6</b>	<b>INSTALLATION DE LA LAME</b>	
Utilisation prévue .....	6	<b>ET DU STYLET.....</b>	<b>14</b>
Vue d'ensemble de la machine — Face avant .....	6	Installation du logement de la lame de base .....	14
Vue d'ensemble de la machine — Face arrière .....	7	Installation du logement de la lame rota- tive .....	15
Vue d'ensemble des accessoires .....	7	Installation du stylet .....	16
Accessoires en option.....	7		
<b>PRÉPARATIONS .....</b>	<b>8</b>	<b>ROULEAUX DE PINCEMENT ...</b>	<b>17</b>
Déballage de la machine .....	8	Comment utiliser les rouleaux de pincement ? .....	17
Configuration de la machine .....	8		
Porte à plat — Volet avant .....	9	<b>CHARGEMENT DE LA</b>	
Attribution d'un nom à la Machine ..	9	<b>PLANCHE.....</b>	<b>18</b>
mySewnet.....	10		
Logiciel.....	10	<b>FAÇONS DE DÉCOUPER.....</b>	<b>18</b>
Écran LCD.....	11	Découpe sans planche - uniquement pour certains matériaux .....	19
Écran LCD : Paramètres .....	11	Guide d'étalonnage de l'appareil photo pour le stylet gauche .....	20
		Guide d'étalonnage de la caméra pour le porte-outil droit.....	21
<b>CONNECTER VOTRE</b>			
<b>MACHINE.....</b>	<b>12</b>		
Connexion via WiFi.....	12	Pièces et accessoires non originaux .....	22
Connexion via USB.....	13		

# INTRODUCTION

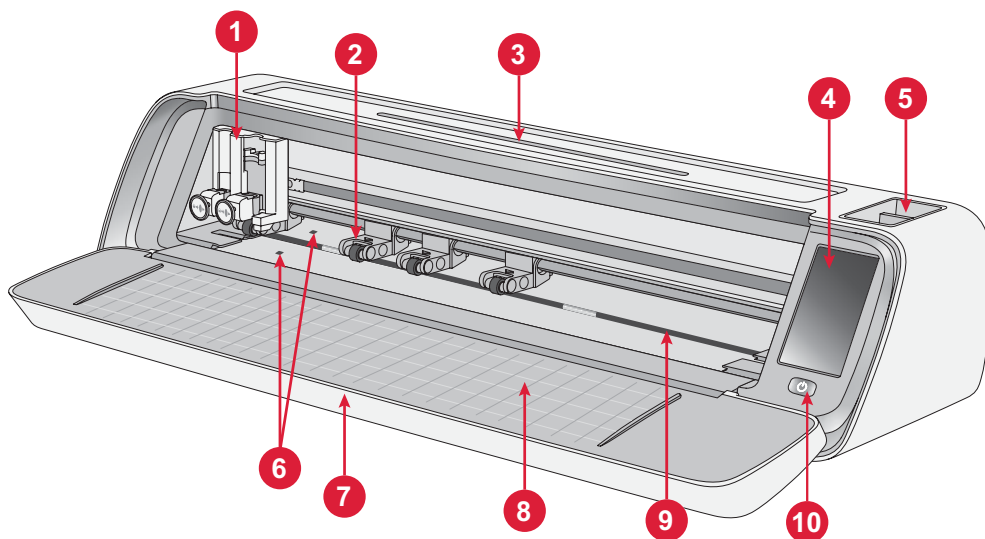
## Utilisation prévue

Les utilisations optimales sont décrites dans ces instructions. Ce produit n'est pas destiné à une utilisation industrielle ou commerciale.

Une aide supplémentaire, par région, peut être trouvée en ligne sur [www.singer.com](http://www.singer.com).

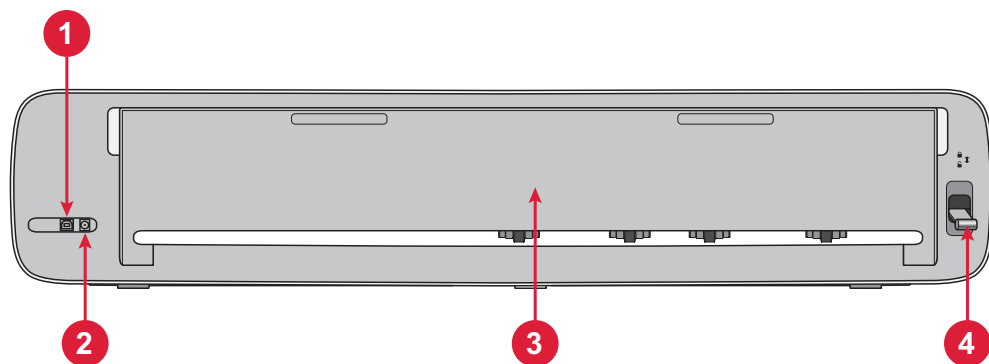
Vous pouvez trouver une version numérique de ce manuel en ligne à l'adresse suivante : [www.singer.com](http://www.singer.com).

## Vue d'ensemble de la machine — Face avant



- |                                      |                         |
|--------------------------------------|-------------------------|
| 1. Porte-outil double                | 7. Porte à plat         |
| 2. Rouleaux de pincement             | 8. Guides de planche    |
| 3. Support pour tablette/téléphone   | 9. Arbre de dessablage  |
| 4. Écran LCD                         | 10. Interrupteur ON/OFF |
| 5. Rangement d'outils                |                         |
| 6. Capteur de chargement automatique |                         |

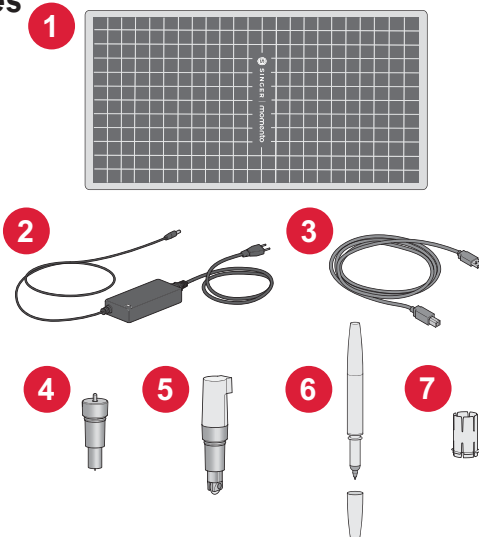
## Vue d'ensemble de la machine — Face arrière



1. Port USB-B intégré - Pour connecter la machine à un ordinateur
2. Prise pour cordon d'alimentation
3. Porte d'extension arrière
4. Levier de rouleaux de pincement

## Vue d'ensemble des accessoires

1. Poignée standard de la planche 12 x 24 pouces
2. Cordon d'alimentation et alimentation électrique
3. Cordon USB-B
4. Lame de base avec logement
5. Lame rotative avec logement
6. Stylet
7. Adaptateur de stylet



## Accessoires en option

Des accessoires supplémentaires sont disponibles en option pour votre machine. Consultez votre revendeur SINGER® local ou [singer.com](http://singer.com) pour plus d'informations.

# PRÉPARATIONS

## Déballage de la machine

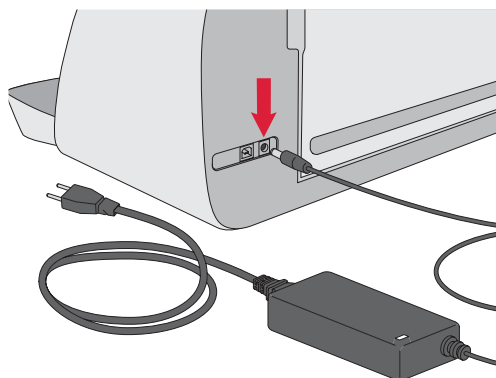
Vérifiez que vous avez bien reçu tout le contenu.

Retirez tous les emballages de protection de la machine et des accessoires avant de mettre la machine en marche.

En raison du transport, la planche de découpe peut s'être légèrement arrondie à force d'être dans la boîte. Dans ce cas, posez la planche sur une surface plane pour la redresser.

## Configuration de la machine

1. Placez votre machine sur une surface solide et horizontale. Assurez-vous qu'il y a suffisamment d'espace devant et derrière la machine pour que le matériau puisse entrer et sortir de la machine pendant la découpe.
2. Branchez l'adaptateur électrique sur la machine, puis sur une prise murale.
3. Ouvrez la porte à plat de la machine.
4. Appuyez sur le bouton d'alimentation situé sous l'écran LCD de la machine pour la mettre en marche. Les voyants s'allument et les têtes de la machine se calibrent.
5. Attendez que la machine émette un bip sonore, indiquant qu'elle est prête à être utilisée.



**Remarque :** Après avoir éteint la machine, une puissance résiduelle peut rester dans la machine. Pour cette raison, la lumière peut rester allumée quelques secondes pendant que le courant se dissipe. Ceci est normal pour un appareil éco-énergétique.

## Porte à plat — Volet avant

Tirez doucement sur le volet avant pour ouvrir la porte. La porte est conçue pour s'ouvrir et se rabattre en douceur.

Une fois la porte avant ouverte, elle doit reposer à plat sur la surface et affleurer la zone de découpe.

Lorsque vous avez fini d'utiliser la machine, fermez simplement la porte avant.

**Remarque :** *La porte d'extension arrière offre un support et une stabilité aux projets plus importants, qu'ils soient avec ou sans planche. La machine peut fonctionner avec la porte d'extension arrière relevée ou abaissée.*



## mySewnet

Pour commencer et libérer toute la puissance de votre machine à découper Singer Momento, visitez le site Web mySewnet à l'adresse [www.mysewnet.com](http://www.mysewnet.com). Vous pourrez y créer un compte mySewnet gratuit et télécharger le logiciel gratuit.



## Logiciel

La machine à découper Singer Momento Craft nécessite le logiciel mySewnet pour fonctionner.

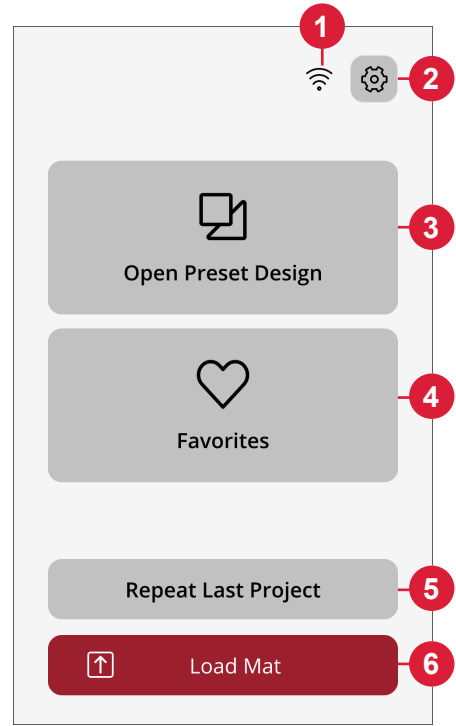
mySewnet fournit des conseils et des tutoriels aux débutants comme aux confirmés. Peu importe que vous soyez un amateur ou un professionnel, le logiciel mySewnet peut vous aider à libérer votre créativité et à donner vie à vos idées.



**Crafting**

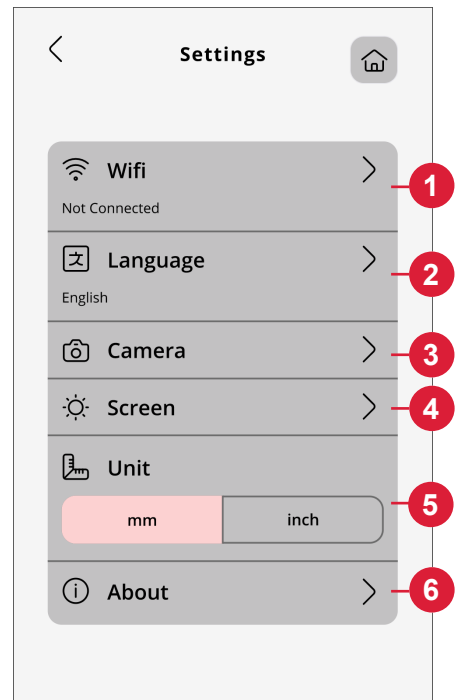
## Écran LCD

1. paramètres
2. Wi-Fi
3. Ouvrir un motif prédéfini
4. Favoris
5. Répéter le dernier projet
6. Charger de planche



## Écran LCD Paramètres

1. Wi-Fi
2. Langue
3. Appareil photo
4. Luminosité de l'écran
5. Paramètres de l'unité
6. À propos



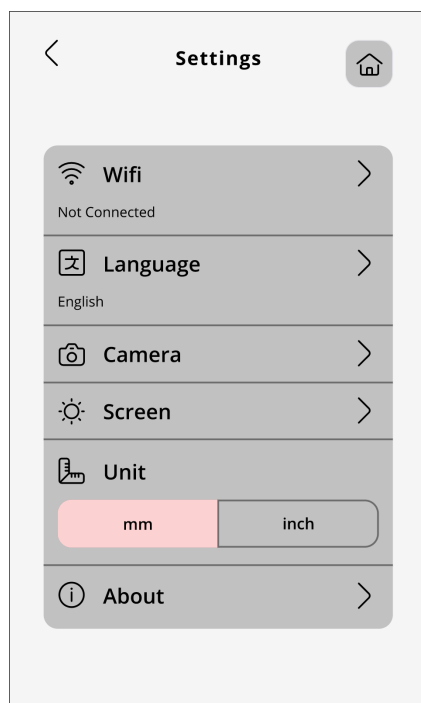
# BRANCHEMENT DE VOTRE MACHINE

Pour faire fonctionner votre machine, assurez-vous qu'elle est connectée à une source d'alimentation et qu'elle est allumée. La machine peut être connectée via USB ou Wi-Fi. Il est recommandé d'utiliser le Wi-Fi comme méthode de connexion principale.

## Connexion via Wi-Fi

Suivez les étapes ci-dessous pour connecter votre machine :

1. Accédez aux paramètres Wi-Fi de la machine et sélectionnez « Connexion au réseau ».
2. Le SSID et l'adresse IP s'affichent. Sélectionnez le bouton « Scanner » en bas de l'écran.
3. Une liste des réseaux disponibles s'affiche. Sélectionnez le nom du réseau auquel vous souhaitez vous connecter, puis sélectionnez « Connecter ».
4. Lorsque vous y êtes invité, saisissez le mot de passe Wi-Fi et appuyez sur le bouton de confirmation pour continuer.
5. Patientez jusqu'à ce que la machine se connecte au réseau. Une fois la connexion établie, un signal sonore confirme le succès de la connexion.

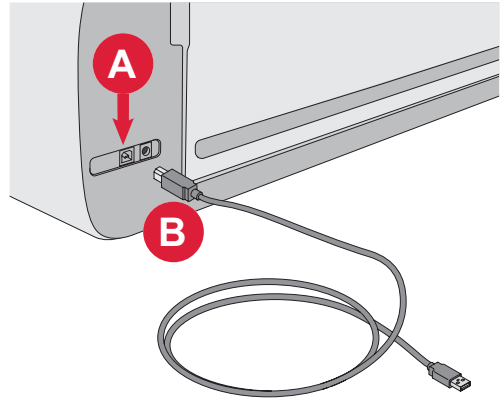


**Et voilà !** Vous devriez maintenant pouvoir accéder à votre machine sans fil depuis votre ordinateur. Pour confirmer que la machine est connectée, vous pouvez essayer d'envoyer une découpe test à la machine.

## Connexion via USB

Procédez comme suit pour établir une connexion via USB :

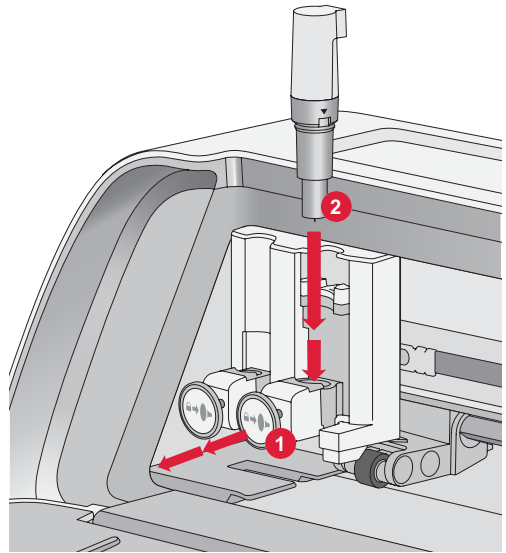
1. Repérez le port USB-B à l'arrière gauche de la machine (A).
2. Branchez le cordon USB sur le port USB-B (B).
3. Branchez l'autre extrémité du cordon USB sur un port USB disponible de votre ordinateur. Une fois connecté, votre ordinateur devrait automatiquement détecter la machine.
4. Suivez la procédure « Ajouter une nouvelle machine sur le logiciel mySewnet » pour connecter votre machine à coudre Singer Memento. Sélectionnez la méthode de connexion USB.



# INSTALLATION DE LA LAME ET DU STYLET

## Installation du logement de la lame de base

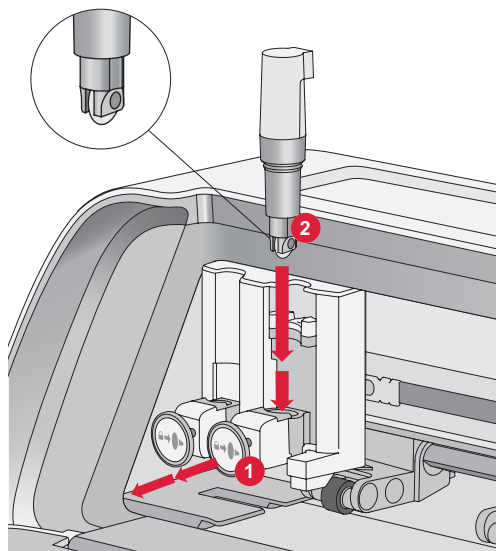
1. Tirez sur le mécanisme de verrouillage de l'encoche de droite.
2. Insérez le logement de la lame de base dans l'encoche de droite, en veillant à ce que la rainure de la lame s'aligne sur la rainure du mécanisme.
3. Lorsque la lame semble être bien en place, poussez fermement le mécanisme de verrouillage.
4. Si vous pouvez déplacer la lame, c'est qu'elle n'est pas correctement insérée. Vérifiez que le mécanisme de verrouillage est correctement aligné avec la lame.



Pour retirer la lame de base : Tirez sur le mécanisme de verrouillage, puis retirez la lame de l'encoche droite.

## Installation du logement de la lame rotative

1. Tirez sur le mécanisme de verrouillage de l'encoche de droite.
2. Insérez le logement de la lame rotative dans l'encoche de droite, en veillant à ce que la rainure de la lame s'aligne sur celle du mécanisme. Le logement de la lame rotative est doté d'une prise de connexion unique. Cela permet à la machine de reconnaître l'utilisation d'une lame spéciale. Assurez-vous que le connecteur est bien installé dans l'ouverture de la prise située en haut de l'encoche droite du porte-outil double.
3. Lorsque la lame semble être correctement installée, repoussez fermement le mécanisme en place. La lame doit s'allumer si elle est correctement insérée.

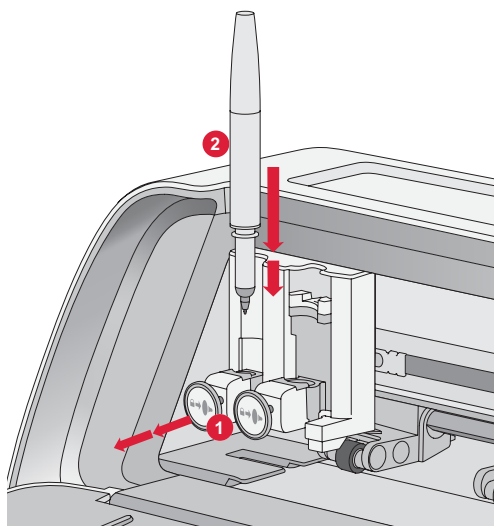


**Remarque :** si la lame ne s'allume pas, c'est qu'elle n'est pas correctement insérée. Vérifiez que le mécanisme de verrouillage est correctement aligné avec la lame.

Pour obtenir des instructions sur le remplacement de lames supplémentaires et de plus amples informations, visitez [mySewnet.com](http://mySewnet.com).

## Installation du stylet

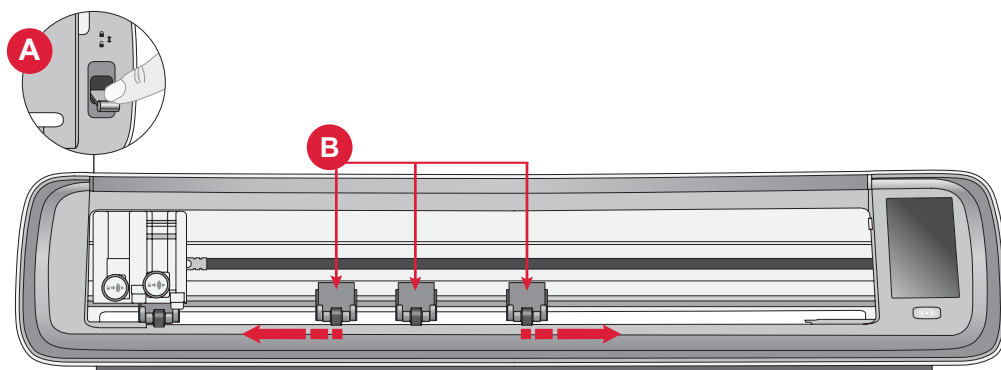
1. Tirez sur le mécanisme de verrouillage de l'encoche de gauche.
2. Insérez le stylet dans l'encoche de gauche. Veillez à ce que la rainure du stylet s'aligne sur celle du mécanisme.
3. Lorsque le stylet semble être correctement installé, enfoncez fermement le mécanisme.
4. Si vous pouvez déplacer le stylet, c'est qu'il n'est pas correctement inséré. Vérifiez que le mécanisme de verrouillage est correctement aligné avec le stylet.



# ROULEAUX DE PINCEMENT

## Comment utiliser les rouleaux de pincement ?

1. Repérez le levier des rouleaux de pincement sur le côté arrière droit de la machine.
2. Pour relever les rouleaux de pincement, tirez le levier vers le bas (A).
3. Ajustez les rouleaux de pincement pour couvrir la largeur de votre planche ou la largeur de votre matériau si vous découpez sans planche (B).

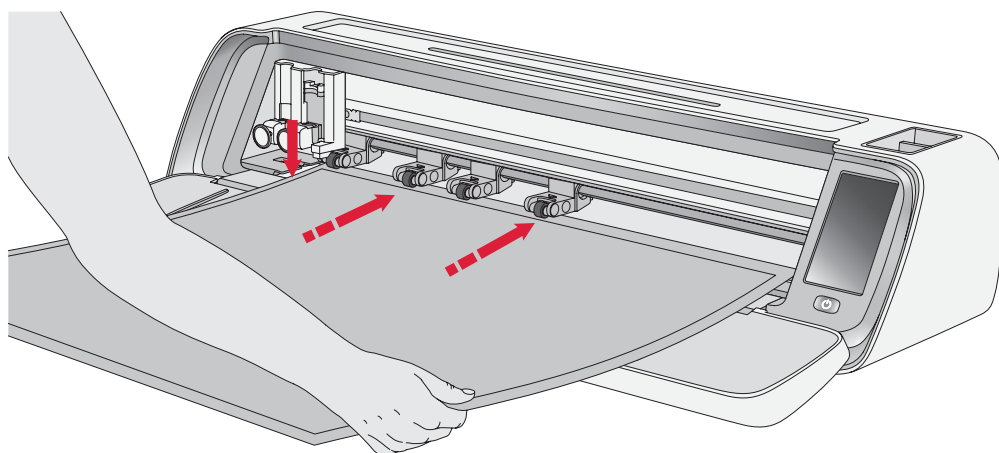


**Remarque :** Le rouleau de pincement droit doit toujours être en contact avec le côté droit du matériau ou de la planche de découpe. Le rouleau de pincement le plus à gauche est verrouillé et ne peut pas être déplacé. Cela garantit un placement stable de la planche pendant la découpe.

**Remarque :** Pour qu'un rouleau de pincement s'accroche correctement, il doit être positionné au-dessus d'un arbre de dessablage. Il y a deux zones où l'arbre de dessablage est manquant, les rouleaux de pincement ne peuvent pas être placés dans ces zones.



## CHARGEMENT DE LA PLANCHE



Vous pouvez charger la planche à tout moment au cours du processus de votre projet avant la découpe.

1. Alignez solidement votre planche le long du guide gauche.
2. Poussez la planche vers l'avant jusqu'à ce qu'elle entre en contact avec les rouleaux de pincement.
3. Sur l'écran, appuyez sur le bouton « Charger de planche » pour charger la planche.

4. La machine tirera la planche d'avant en arrière, s'arrêtant avec le bord supérieur bien en place sous les rouleaux de pincement.

**Remarque :** Veillez à ne pas placer les rouleaux de pincement du milieu sur le capteur de la planche.

Appuyez sur le bouton d'éjection pour décharger la planche.

## FAÇONS DE DÉCOUPER

Vous pouvez découper de trois façons : en utilisant les motifs de quilting prédéfinis sur l'écran LCD de la machine, les favoris et l'application de découpe mySewnet.

Pour plus d'informations, allez sur [mysewnet.com](http://mysewnet.com)

## Découpe sans planche - uniquement pour certains matériaux

La découpe sans planche constitue une option pratique et efficace pour une variété de matériaux. Pour obtenir la liste des matériaux recommandés pour la découpe sans planche, rendez-vous sur [mysewnet.com](http://mysewnet.com).

1. Poussez le levier du rouleau de pincement vers le bas pour le déverrouiller.
2. Pour garantir les meilleurs résultats, tous les rouleaux de pincement doivent être en contact avec le matériau.

*Remarque : Il est important que le dernier rouleau de pincement (à l'extrême droite) soit en contact avec le matériau pour assurer une bonne alimentation de la machine.*

3. Une fois que les rouleaux de pincement sont dans la bonne position, relevez le levier de pincement jusqu'à ce qu'il se verrouille.
4. Poussez le matériau vers l'avant jusqu'à ce qu'il entre en contact avec les rouleaux de pincement. Sur l'écran, appuyez sur le bouton « Charger de planche » pour charger le matériau.
5. La machine tirera le matériau d'avant en arrière, s'arrêtant avec le bord supérieur bien en place sous les rouleaux de pincement.

6. Sur l'application, chargez le motif et sélectionnez "no mat" et le matériau approprié.

Lorsque la découpe est terminée, appuyez sur le bouton d'éjection pour décharger le matériau.

**Remarque :** *Il est recommandé d'effectuer une coupe d'essai lorsque vous ajustez les paramètres ou démarrez de nouvelles coupes. Cela permet de s'assurer que les paramètres et le positionnement du rouleau de pincement sont corrects pour obtenir des résultats optimaux*

## Guide d'étalonnage de l'appareil photo pour le stylet gauche

L'étalonnage de l'appareil photo est un processus essentiel pour garantir un positionnement précis et des résultats exacts lors de l'impression et de la découpe. En suivant ces instructions étape par étape, vous pouvez facilement calibrer l'appareil photo pour des performances optimales.

Avant de commencer, veillez à rassembler les éléments suivants :

- Stylet (fourni avec la machine)
- Papier cartonné
- Planche

### Instructions :

1. Allumez votre machine.
2. Placez le stylet dans le porte-outil gauche en toute sécurité.
3. Placez le papier cartonné sur la planche, en veillant à ce qu'il soit correctement aligné dans le coin supérieur gauche de la planche.
4. Chargez la planche dans la machine.
5. Appuyez sur le bouton des paramètres sur l'écran LCD de la machine et sélectionnez l'option « Appareil photo ».
6. Dans les paramètres de l'appareil photo, choisissez « Ajuster » pour accéder à l'écran d'étalonnage.
7. Une fois dans l'écran d'étalonnage, choisissez « Ajuster Gauche » pour commencer le processus d'étalonnage du stylet gauche.
8. La machine dessinera automatiquement un symbole « 田 » sur le papier cartonné. Laissez la machine terminer le dessin.
9. Une fois le dessin terminé, appuyez sur la position centrale du symbole « + » sur l'image capturée affichée à l'écran. Ajustez sa position près du centre et confirmez en touchant « OK ».
10. La machine créera automatiquement une ligne en pointillés bleus qui coïncidera avec le symbole « + » de l'image capturée. Vérifiez l'alignement et, lorsque vous êtes satisfait, appuyez sur « OBTENIR » pour enregistrer les paramètres d'étalonnage.

## Guide d'étalonnage de la caméra pour le porte-outil droit

Avant de commencer l'étalonnage, veuillez à rassembler les éléments suivants :

- Stylet et adaptateur de stylet (tous deux fournis avec la machine).
- Papier cartonné
- Planche

### Instructions :

1. Allumez votre machine.
2. Prenez l'adaptateur du stylet et insérez-y le stylet en toute sécurité. Placez ensuite le stylet avec l'adaptateur dans le porte-outil droit de la machine.
3. Placez le papier cartonné sur la planche, en veillant à ce qu'il soit correctement aligné dans le coin supérieur gauche de la planche.
4. Appuyez sur le bouton « Charger la planche » pour charger la planche dans la machine.
5. Appuyez sur le bouton des paramètres sur l'écran LCD de la machine et sélectionnez l'option « Appareil photo ».
6. Dans les paramètres de l'appareil photo, choisissez « Ajuster » pour accéder à l'écran d'étalonnage.
7. Une fois dans l'écran d'étalonnage, choisissez « Ajuster Droit » pour commencer le processus d'étalonnage du stylet droit.
8. La machine dessinera automatiquement un symbole « 田 » sur le papier cartonné. Laissez la machine terminer le dessin.
9. Une fois le dessin terminé, appuyez sur la position centrale du symbole « + » sur l'image capturée affichée à l'écran. Cela créera un « + » rouge près de la position centrale du symbole « + ». Confirmez en appuyant sur « OK ».
10. La machine générera automatiquement une ligne en pointillés bleus qui coïncidera avec le symbole « + » de l'image capturée. Vérifiez l'alignement et, lorsque vous êtes satisfait, appuyez sur « OBTENIR » pour enregistrer les paramètres d'étalonnage.

## Pièces et accessoires non originaux

La garantie ne couvre pas les défauts ou dommages causés par l'utilisation d'accessoires ou de pièces qui ne sont pas d'origine.

## PROPRIÉTÉ INTELLECTUELLE

SINGER et le Cameo « S » Design sont des marques déposées de The Singer Company Limited S.à.r.l. ou ses sociétés affiliées. MOMENTO est une marque exclusive de Singer Sourcing Limited LLC ou de ses filiales. © 2023 The Singer Company Limited S.à.r.l. ou ses sociétés affiliées. Tous droits réservés.

*Nous nous réservons le droit de modifier l'équipement de la machine et le jeu d'accessoires sans préavis, ainsi que les performances ou le design. Ces éventuelles modifications seront toujours apportées au bénéfice de l'utilisateur et du produit.*



Veillez noter qu'en cas de mise au rebut, ce produit doit bénéficier d'un recyclage sécurisé, conforme à la législation nationale applicable aux produits électriques/électroniques. Ne jetez pas les appareils électriques avec les ordures municipales générales, utilisez des installations de collecte différentes. Contactez votre gouvernement local pour obtenir des informations au sujet des systèmes de collecte disponibles. Lorsque vous remplacez un ancien appareil par un nouveau, le distributeur peut être légalement obligé de reprendre votre ancien appareil pour le mettre au rebut, sans frais.

Le dépôt d'appareils électriques dans une décharge municipale présente le risque de fuite de substances dangereuses dans les nappes phréatiques, qui peuvent ensuite s'introduire dans la chaîne alimentaire, devenant ainsi un risque pour votre santé et votre bien-être.



FR

Cet appareil,  
ses accessoires  
et piles  
se recyclent

À DÉPOSER  
EN MAGASIN



OU

À DÉPOSER  
EN DECHETERIE



FR



Points de collecte sur [www.quefairedemesdechets.fr](http://www.quefairedemesdechets.fr)  
Privilégiez la réparation ou le don de votre appareil !

## FABRICANT

VSM Group AB, SVP WORLDWIDE

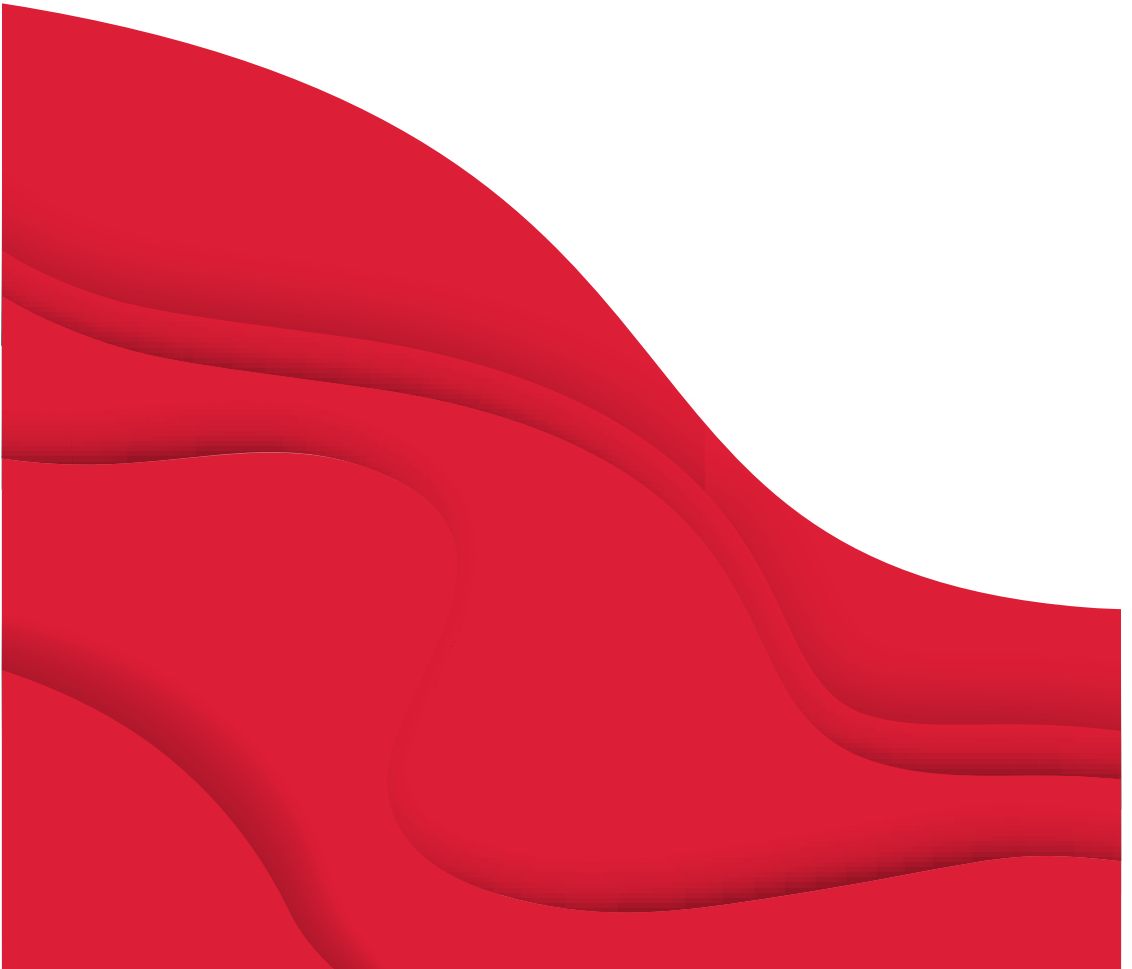
Soldatorpsgatan 3, SE-55474 Jönköping, SUÈDE



**SINGER** | momento

# Guía del usuario

Máquina de corte de 24" (pulgadas)  
para manualidades



# INSTRUCCIONES IMPORTANTES DE SEGURIDAD

Cuando utilice un aparato eléctrico, debe respetar siempre las precauciones básicas de seguridad, tales como las siguientes:

Lea todas las instrucciones antes de utilizar este producto.

Conserve las instrucciones en un lugar adecuado cerca de la máquina. Asegúrese de entregarlas junto con la máquina si la utiliza otra persona.

## **PELIGRO: — REDUZCA EL RIESGO DE DESCARGA ELÉCTRICA:**

El enchufe en la fuente de alimentación se utiliza como dispositivo de desconexión. La máquina nunca debe dejarse sin atención cuando está conectada. La toma de corriente en la que está enchufada la máquina debe ser de fácil acceso. Siempre desconecte la máquina inmediatamente después de utilizarla y antes de limpiarla, quitar las tapas, lubricarla o realizar cualquier otro ajuste o mantenimiento mencionado en el manual de instrucciones.

## **ADVERTENCIA: — PARA REDUCIR EL RIESGO DE QUE- MADURAS, INCENDIO, DESCARGA ELÉCTRICA O DAÑOS PERSO- NALES:**

- Esta máquina está diseñada para que la usen los adultos. Con la supervisión de un adulto, (i) niños de 8 a 12 años y (ii) personas con capacidades físicas, sensoriales o mentales diferentes o con falta de experiencia y conocimientos pueden usar la máquina siempre y cuando reciban instrucciones sobre el uso del aparato de forma segura y comprendan los peligros que conlleva. Evite que los menores realicen la limpieza y el mantenimiento de la máquina sin supervisión. Está prohibido jugar con la máquina. Los niños menores de 8 años no pueden utilizar la máquina.
- Coloque la máquina sobre una superficie resistente, nivelada y estable, y asegúrese de que su espacio de trabajo tenga suficiente espacio tanto en la parte delantera como en la trasera de la máquina para permitir que el tapete de corte se mueva por la máquina sin ninguna obstrucción.
- No debe usarse como juguete. Deberá prestar especial atención cuando se utilice la máquina cerca de los niños.
- Utilice esta máquina únicamente para el uso previsto, tal como se explica en este manual. Utilice únicamente los accesorios recomendados por el fabricante, según se indica en este manual.
- Nunca utilice la máquina si el cable o el enchufe están dañados, si no funciona adecuadamente, si se ha caído o se ha dañado, o si se cayó al agua. Envíe la máquina al distribuidor autorizado o centro de servicio más cercano para su revisión, reparación y ajuste eléctrico o mecánico.
- Nunca haga funcionar la máquina cuando alguna de las aberturas de ventilación se encuentre obstruida. Mantenga las aberturas de ventilación de la máquina libres de acumulaciones de pelusa, polvo o tela suelta.
- Siempre use las cuchillas de corte adecuadas, ya que usar las incorrectas puede hacer que se rompan.



- No utilice cuchillas de corte dobladas.
- Use gafas de seguridad.
- Apague la máquina ("O") cuando realice cualquier ajuste en el área de corte, como cambiar las cuchillas de corte.
- No use la máquina al aire libre.
- No trabaje con la máquina en lugares donde se usan productos en aerosol (spray) o en donde se administre oxígeno.
- Para desconectarla, coloque todos los controles en la posición de apagado ("O") y, a continuación, desenchufe la máquina.
- No la desenchufe tirando del cable. Para desenchufarla, sujete el enchufe, no el cable.
- No use la máquina si está mojada.
- No toque el tapete o el material durante el proceso de corte, aunque hayan dejado de moverse. Solo manipule el tapete o el material una vez que hayan salido de la máquina por completo.
- Si la luz LED está dañada o descompuesta, el fabricante, su agente de servicio o una persona igual de calificada debe reemplazarla para evitar riesgos.





Mantenga los dedos, cabello, joyas, ropa suelta y cualquier otro artículo lejos de todas las partes móviles de la máquina. Es especialmente importante tener precaución alrededor de las cuchillas de corte.



Es especialmente importante tener precaución alrededor de las afiladas cuchillas cortantes.

## GUARDE ESTAS INSTRUCCIONES

<b>Especificaciones del Producto</b>	
Modelo	Singer Momento 24" Craft Cutting Machine
Peso	14 KG
Fuente de Alimentación  	GM60-24O275-F (Foshan Shunde GUANYUDA Power Supply Co., Ltd.) or FJ-SW201724O2700 (Shenzhen Fujia Appliance Co., Ltd.).

# Declaración sobre interferencias de la Comisión Federal de Comunicaciones

Para EE.UU. y Canadá

Parte responsable: Singer Sourcing Limited LLC  
1714 Heil Quaker Boulevard, Suite 130, LaVergne, TN 37086

Nombre del producto: Máquina de corte de 24" (pulgadas) para manualidades

Este dispositivo cumple el Apartado 15 de las Normas de la FCC. Su funcionamiento está sujeto a las siguientes dos condiciones: (1) Este dispositivo no puede provocar interferencias perjudiciales y (2) este dispositivo debe aceptar cualquier interferencia recibida, incluidas las interferencias que pueden ocasionar un funcionamiento no deseado.

A fin de cumplir con los requisitos de exposición a radiofrecuencia, se debe mantener una distancia de separación de 8" (20 cm) o más entre este dispositivo y las personas durante su uso. A fin de garantizar el cumplimiento, se recomienda no utilizar el dispositivo a una distancia menor. La antena integrada que se usa para este transmisor no se debe ubicar junto con cualquier otra antena o transmisor.

Este equipo se ha probado, y se ha demostrado que cumple con los límites de los dispositivos digitales de Clase B, según el Apartado 15 de las Normas de la FCC. Estos límites están diseñados para proporcionar una protección razonable contra las interferencias perjudiciales en una instalación residencial. Este equipo genera, utiliza y puede irradiar energía de radiofrecuencia y, si no se instala y se utiliza de acuerdo con las instrucciones, puede causar interferencias perjudiciales para las comunicaciones por radio. Sin embargo, no hay garantía de que no se produzcan interferencias en una instalación concreta. Si este equipo causa interferencias perjudiciales para la recepción de radio o televisión, que se pueden determinar apagando y encendiendo el equipo, el usuario deberá tratar de corregir las interferencias mediante una de las medidas siguientes:

- Reorientar o volver a ubicar la antena receptora.
- Aumentar la separación entre el equipo y el receptor.
- Conectar el equipo a una toma de corriente o a un circuito diferente de la toma a la que está conectado el receptor.
- Consultar al distribuidor autorizado de SINGER® o a un técnico de radio o TV profesional.

El cable de interfaz que se incluye debería utilizarse para garantizar el cumplimiento de los límites de un dispositivo digital de Clase B.



*Cualquier cambio o modificación no aprobados expresamente por la parte responsable para su conformidad podría invalidar la autoridad del usuario para manejar este equipo.*

# ÍNDICE

<b>INTRODUCCIÓN .....</b>	<b>6</b>	<b>CUCHILLA Y BOLÍGRAFO</b>	
Uso previsto .....	6	<b>INSTALACIÓN .....</b>	<b>14</b>
Descripción general de la máquina – Frente .....	6	Instalación de la carcasa básica de la cuchilla .....	14
Descripción general de la máquina – Parte trasera .....	7	Instalación de la carcasa de la cuchilla giratoria .....	15
Descripción de los accesorios .....	7	Instalación del bolígrafo .....	16
Accesorios opcionales .....	7		
<b>PREPARATIVOS .....</b>	<b>8</b>	<b>RODILLO DE PELLIZCO.....</b>	<b>17</b>
Desembalaje de la máquina .....	8	Cómo usar el rodillo de pellizco .....	17
Configuración de la máquina .....	8	<b>CARGANDO EL TAPETE .....</b>	<b>18</b>
Puerta plana — Solapa frontal .....	9	<b>FORMAS DE CORTAR .....</b>	<b>18</b>
Nombrar la máquina .....	9	Corte sin tapete: solo para materiales seleccionados .....	19
mySewnet.....	10	Guía de calibración de la cámara para Bolígrafo izquierdo .....	20
Software artesanal.....	10	Guía de calibración de la cámara para el portaherramientas derecho.....	21
Pantalla LCD .....	11		
Pantalla LCD: Ajustes .....	11		
<b>CONECTANDO SU</b>			
<b>MÁQUINA .....</b>	<b>12</b>	Piezas no originales y	
Conexión a través de WIFI .....	12	Accesorios .....	22
Conexión a través de USB .....	13		

# INTRODUCCIÓN

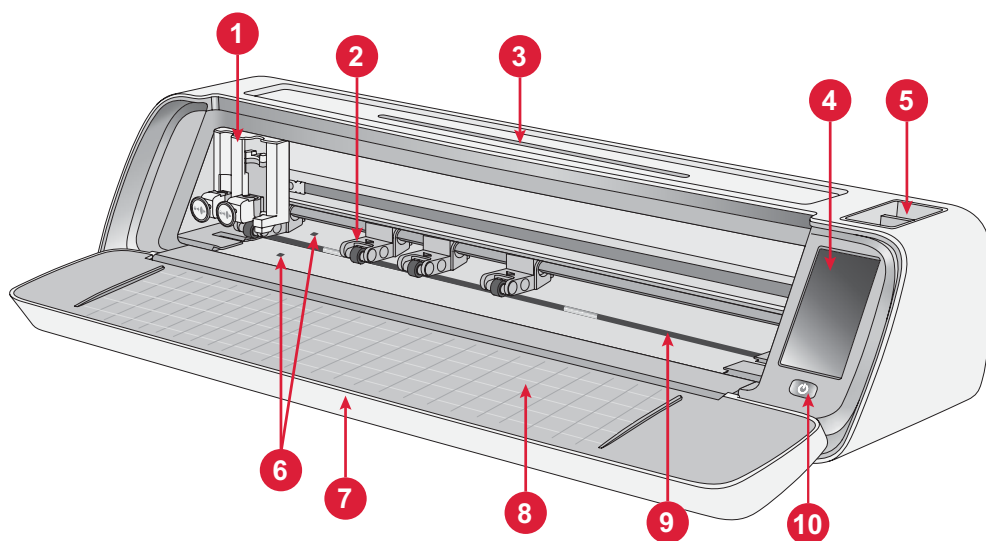
## Uso previsto

Los usos óptimos se describen en estas instrucciones. Este producto no está destinado a uso industrial o comercial.

La asistencia adicional, por región, se puede encontrar en línea en [www.singer.com](http://www.singer.com)

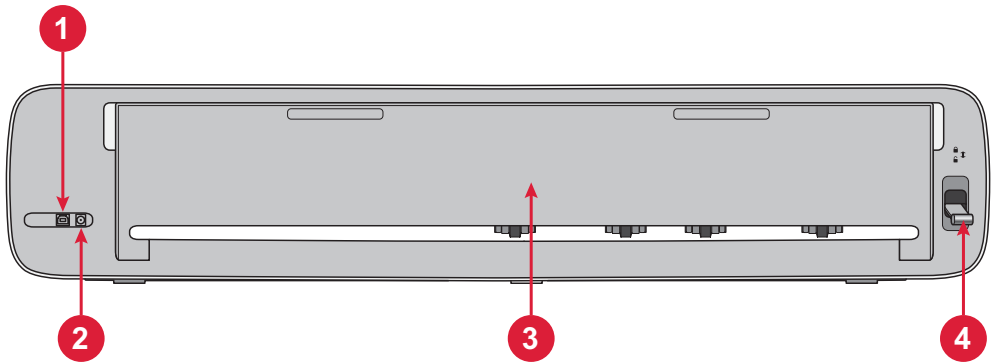
Puede encontrar una versión digital de este manual en línea en [www.singer.com](http://www.singer.com)

## Descripción general de la máquina - Frente



- |                                    |                                      |
|------------------------------------|--------------------------------------|
| 1. Portaherramientas doble         | 6. Sensor de carga automática        |
| 2. Rodillo de pellizco             | 7. Puerta plana                      |
| 3. Soporte para tableta / teléfono | 8. Guías de tapete                   |
| 4. Pantalla LCD                    | 9. Eje de grano                      |
| 5. Almacenamiento de herramientas  | 10. Interruptor de encendido/apagado |

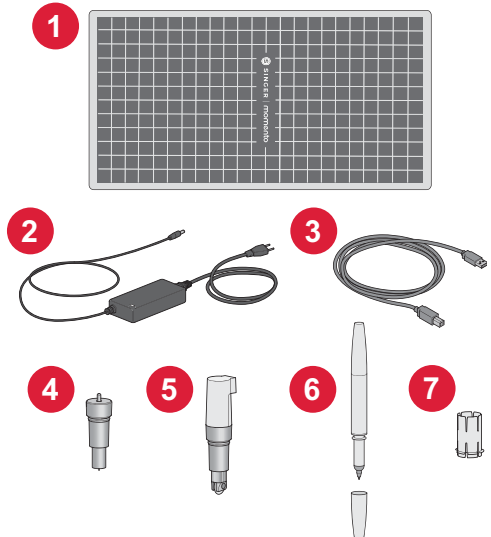
## Descripción general de la máquina - Parte trasera



1. Puerto USB-B incorporado: para conectar la máquina a la computadora
2. Enchufe para cable de alimentación
3. Puerta de extensión trasera
4. Palanca rodillo de pellizco

## Descripción de los accesorios

1. Tapete adhesivo estándar de 12 x 24"
2. Cable de alimentación y fuente de alimentación
3. Cable USB-B
4. Cuchilla básica con carcasa
5. Cuchilla giratoria con carcasa
6. Bolígrafo
7. Adaptador de bolígrafo



## Accesorios opcionales

Existen otros accesorios opcionales disponibles para su máquina. Consulte con su distribuidor autorizado SINGER® o visite [singer.com](http://singer.com) para obtener más información.

# PREPARATIVOS

## Desempacado de la máquina

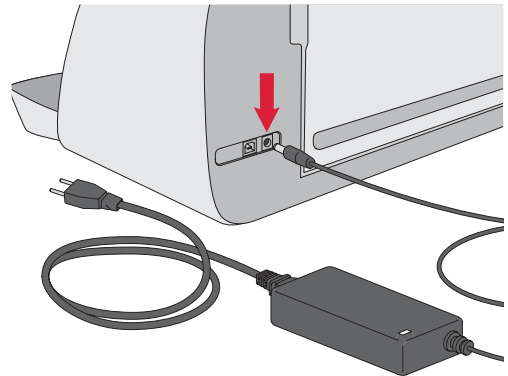
Compruebe que ha recibido todo el contenido.

Retire todo el embalaje protector de la máquina y los accesorios antes de encenderla.

Debido al envío, es posible que el tapete de corte se haya redondeado ligeramente por estar en la caja. Si esto sucede, coloque el tapete sobre una superficie plana para enderezarlo.

## Configuración de la máquina

1. Coloque su máquina sobre una superficie resistente y horizontal. Asegúrese de que haya suficiente espacio tanto delante como detrás de la máquina para que el material entre y salga de la máquina mientras corta.
2. Conecte el adaptador de corriente a la máquina y luego conéctelo a una toma de corriente.
3. Abra la puerta plana de la máquina.
4. Presione el botón de encendido ubicado debajo de la pantalla LCD de la máquina para encenderla. Las luces se encenderán y los cabezales de las máquinas se calibrarán.
5. Espere hasta que la máquina emita un sonido, lo que indica que está lista para usar.



**Nota:** Después de apagar la máquina, puede quedar energía residual en la máquina. La luz podría permanecer encendida durante unos segundos mientras se consume esa energía. Esto es normal en los aparatos de energía eficientes.

## Puerta plana — Solapa frontal

Tire suavemente hacia abajo de la solapa delantera para abrir la puerta. La puerta está diseñada para abrirse y plegarse suavemente.

Una vez que la puerta frontal esté abierta, debe descansar en una sobre una superficie plana y estar al ras con el área de corte.

Cuando haya terminado de usar la máquina, simplemente cierre la puerta delantera.

*Nota: La puerta de extensión trasera proporciona soporte y estabilidad a proyectos más grandes, ya sea con tapete o sin tapete. La máquina puede funcionar con la puerta de extensión trasera hacia arriba o hacia abajo.*

## mySewnet

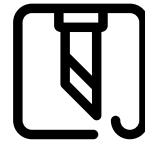
Para comenzar y liberar toda la potencia de su máquina de corte artesanal Singer Momento, visite el sitio web de mySewnet en [www.mysewnet.com](http://www.mysewnet.com). Aquí, puede crear una cuenta gratuita de mySewnet y descargar el software de elaboración gratuito.



## Crafting Software

La máquina de corte de 24" (pulgadas) para manualidades requiere el software de elaboración mySewnet para funcionar.

mySewnet ofrece orientación y tutoriales tanto para principiantes como para artesanos avanzados. Tanto si la manualidad es un hobby como si es un profesional, el software mySewnet Crafting puede ayudarle a dar rienda suelta a su creatividad y dar vida a sus ideas.

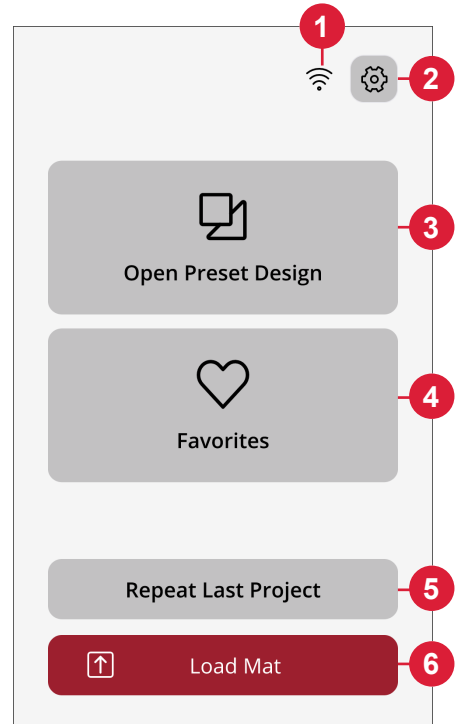


**Crafting**



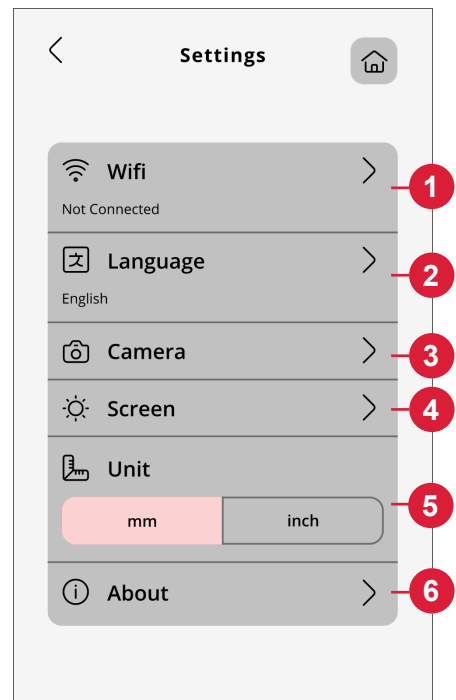
## Pantalla LCD

1. Configuración
2. Wifi
3. Abrir diseño preestablecido
4. Favoritos
5. Repetir el último proyecto
6. Tapete de carga



## Pantalla LCD Configuración

1. Wifi
2. Idioma
3. Cámara
4. Brillo de la pantalla
5. Configuración de las unidades de medidas
6. Acerca de



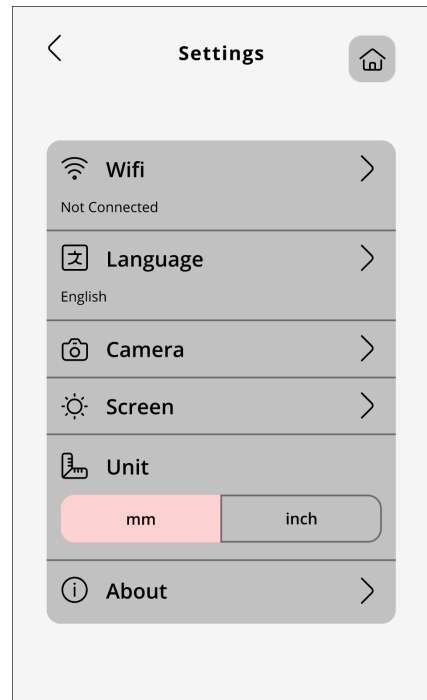
# CONEXIÓN DE LA MÁQUINA

Para operar su máquina, asegúrese de que esté conectada a una fuente de alimentación y que esté encendida. La máquina se puede conectar a través de USB o Wi-Fi. Se recomienda utilizar Wi-Fi como método de conexión principal.

## Conexión a través de WIFI

Siga los pasos siguientes para conectar la máquina:

1. Vaya a la configuración de Wi-Fi de la máquina y seleccione "Conectarse a la red".
2. Se mostrará el SSID y la dirección IP, seleccione el botón "Escanear" en la parte inferior de la pantalla.
3. Se mostrará una lista de redes disponibles, seleccione el nombre de la red a la que desea conectarse y, a continuación, seleccione conectar.
4. Cuando se le solicite, ingrese la contraseña de Wi-Fi y toque el botón de confirmación para continuar.
5. Espere a que la máquina se conecte a la red. Una vez que esté conectada, habrá un sonido que confirmará que la conexión se ha realizado correctamente.

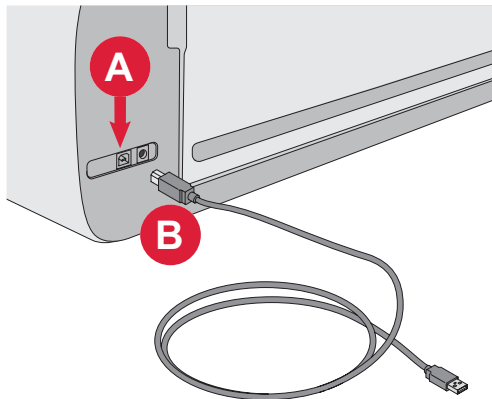


**¡Todo listo!** Ahora debería poder acceder a su máquina de forma inalámbrica desde su computadora. Para confirmar que la máquina está conectada, puede intentar enviar un corte de prueba a la máquina.

## Conexión a través de USB

Siga estos pasos para conectarse a través de USB:

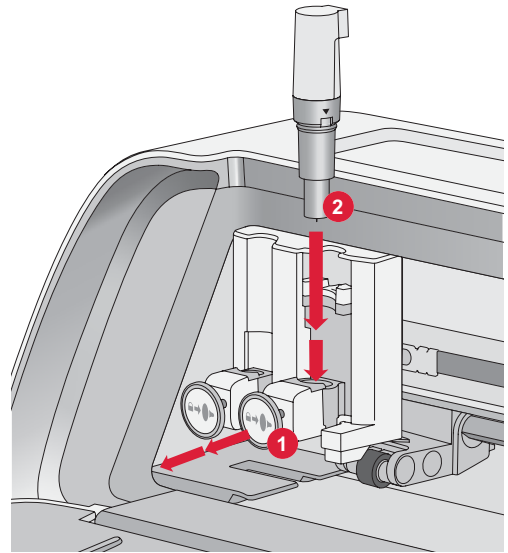
1. Localice el puerto USB-B en la parte posterior izquierda de la máquina (A).
2. Conecte el cable USB al puerto USB-B (B).
3. Conecte el otro extremo del cable USB a un puerto USB disponible en su computadora. Una vez conectado, su computadora debería detectar automáticamente la máquina.
4. Siga el proceso y agregue la nueva máquina en el software de elaboración mySewnet para conectar su máquina de corte de 24" (pulgadas) para manualidades. Seleccione el método de conexión USB.



# INSTALACIÓN DE CUCHILLAS Y BOLÍGRAFOS

## Instalación de la carcasa básica de la cuchilla

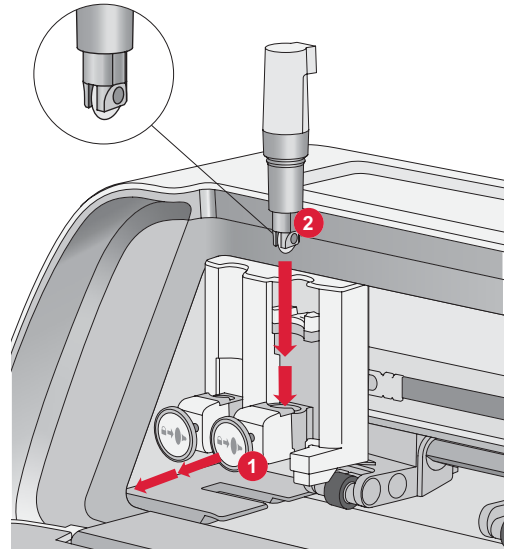
1. Tire del mecanismo de bloqueo de la ranura derecha hacia afuera.
2. Inserte la carcasa básica de la cuchilla en la ranura derecha, asegúrese de que la ranura de la cuchilla esté alineada con la ranura del mecanismo.
3. Cuando la cuchilla parezca estar asentada correctamente, empuje firmemente el mecanismo de bloqueo hacia adentro.
4. Si puede mover la cuchilla, entonces no está insertada correctamente. Compruebe que el mecanismo de bloqueo esté correctamente alineado con la cuchilla.



Para quitar la cuchilla básica: Saque el mecanismo de bloqueo y luego retire la cuchilla de la ranura derecha.

## Instalación de la carcasa de la cuchilla giratoria

1. Tire del mecanismo de bloqueo de la ranura derecha hacia afuera.
2. Inserte la carcasa básica de la cuchilla en la ranura derecha, asegúrese de que la ranura de la cuchilla esté alineada con la ranura del mecanismo. La carcasa giratoria tiene una toma de conexión única. Esto ayuda a la máquina a reconocer el uso de una cuchilla especial. Asegúrese de que el conector esté bien asentado en la abertura del zócalo ubicada en la parte superior de la ranura derecha en el portaherramientas doble.
3. Cuando la cuchilla parezca estar asentada correctamente, empuje firmemente el mecanismo de bloqueo hacia adentro. La cuchilla debería iluminarse si se inserta correctamente.

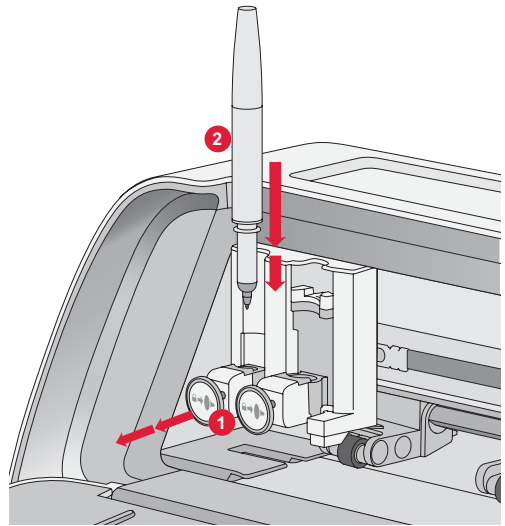


**Nota:** Si la cuchilla no se enciende, entonces no está insertada correctamente. Compruebe que el mecanismo de bloqueo esté correctamente alineado con la cuchilla.

Para encontrar instrucciones sobre cómo reemplazar cuchillas adicionales y más información, visite [mySewnet.com](http://mySewnet.com).

## Instalación del bolígrafo

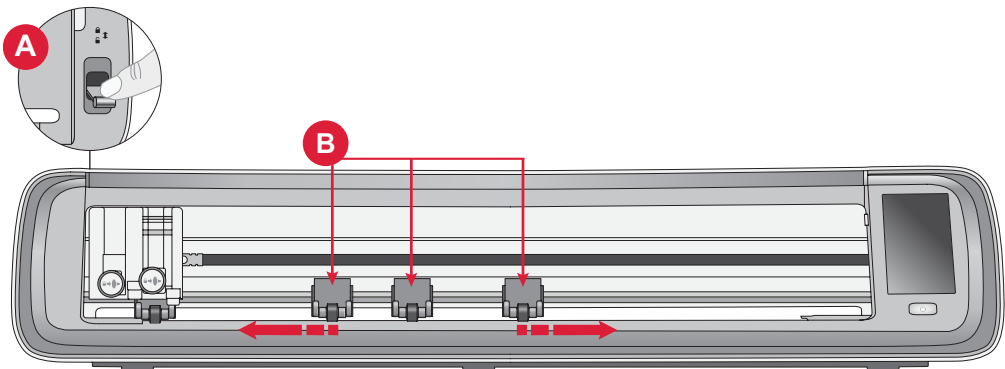
1. Tire del mecanismo de bloqueo de la ranura izquierda hacia afuera.
2. Inserte el bolígrafo en la ranura. Asegúrese de que la ranura del bolígrafo esté alineada con la ranura del mecanismo.
3. Cuando el bolígrafo parezca estar asentado correctamente, empuje firmemente el mecanismo de bloqueo hacia adentro.
4. Si puede mover la cuchilla, entonces no está insertada correctamente. Compruebe que el mecanismo de bloqueo esté correctamente alineado con la cuchilla.



# RODILLOS DE PELLIZCO

## Cómo usar los rodillos de pellizco

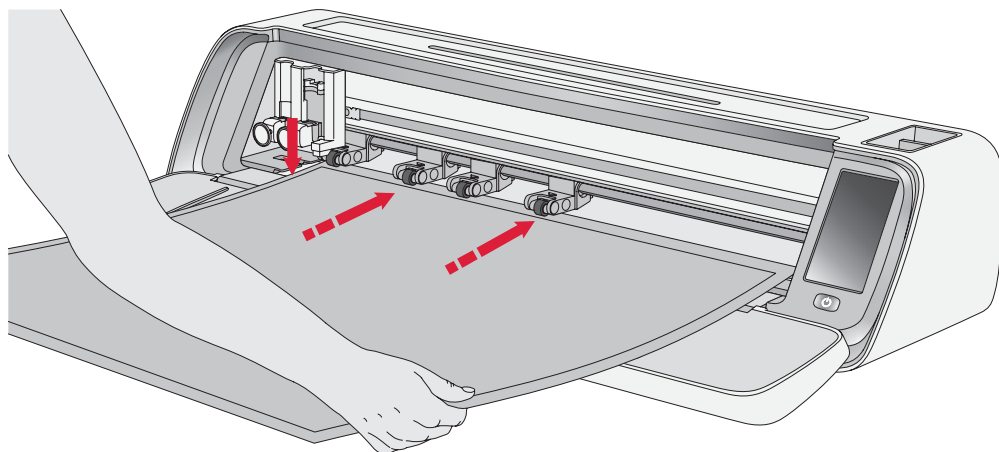
1. Ubique la palanca del rodillo de pellizco en la parte trasera derecha de la máquina.
2. Para levantar los rodillos de pellizco, tire de la palanca hacia abajo (A).
3. Ajuste los rodillos de pellizco para abarcar el ancho de su tapete o el ancho de su material si corta sin tapete (B).



**Nota:** El rodillo de pellizco derecho siempre debe estar en contacto con el lado derecho del material o el tapete de corte. El rodillo del extremo izquierdo está bloqueada y no se puede mover. Esto garantiza una colocación estable del tapete durante el proceso de corte.

**Nota:** Para que un rodillo de pellizo se sostenga correctamente, debe colocarse sobre un eje de grano. Hay dos áreas donde falta el eje de grano, no se pueden colocar los rodillos de pellizco en estas áreas.

## CARGANDO EL TAPETE



Puede cargar el tapete en cualquier momento durante el proceso de su proyecto antes de cortarlo.

1. Alinee firmemente su tapete a lo largo de la guía izquierda.
2. Empuje el tapete hacia adelante hasta que haga contacto con los rodillos de pellizco.
3. En la pantalla, toque el botón "Cargar tapete" para cargar el tapete.

4. La máquina tirará del tapete hacia adelante y hacia atrás, deteniéndose con el borde superior firmemente debajo de los rodillos de pellizco.

**Nota:** Asegúrese de no colocar los rodillos de pellizco del medio sobre el sensor del tapete.

Toque el botón de expulsión para descargar el tapete.

## FORMAS DE CORTAR

Hay tres formas de cortar, utilizando la pantalla LCD de la máquina, diseños de acolchado preestablecidos, favoritos y desde la aplicación de corte mySewnet.

Para más información, visite [www.mysewnet.com](http://www.mysewnet.com).



## Corte sin tapete: solo para materiales seleccionados

El corte sin tapete proporciona una opción conveniente y eficiente para una variedad de materiales. Para obtener una lista de los materiales recomendados para el corte sin tapete, vaya a [mysewnet.com](http://mysewnet.com)

1. Empuje la palanca de los rodillos de pellizco hacia abajo para desbloquear
2. Para garantizar los mejores resultados, todas los rodillos de pellizco deben estar en contacto con el material

*Nota: Es importante que el último rodillo de pellizco (extremo derecho) haga contacto con el material para garantizar una alimentación adecuada a través de la máquina.*

3. Una vez que los rodillos de pellizco estén en la posición correcta, levante la palanca del rodillo de pellizco para bloquearla.
4. Empuje el tapete hacia adelante hasta que haga contacto con los rodillos de pellizco. En la pantalla, toque el botón "Cargar tapete" para cargar el tapete.
5. La máquina tirará del tapete hacia adelante y hacia atrás, deteniéndose con el borde superior firmemente debajo de los

rodillos de pellizco.

6. En la aplicación, cargue el diseño y seleccione "sin tapete" y el material apropiado.

Cuando se complete el corte, presione el botón de expulsión para descargar el material.

**Nota:** *Se recomienda realizar un corte de prueba al ajustar la configuración o iniciar nuevos cortes. Esto garantiza que los ajustes y la posición de los rodillos de pellizco sean correctos para obtener resultados óptimos*

# Guía de calibración de la cámara para el bolígrafo izquierdo

La calibración de la cámara es un proceso esencial para garantizar un posicionamiento preciso y resultados precisos al imprimir y cortar. Siguiendo estas instrucciones paso a paso, puede calibrar fácilmente la cámara para obtener un rendimiento óptimo.

Antes de comenzar, asegúrese de reunir los siguientes elementos:

- Bolígrafo (incluido con la máquina)
- Cartulina
- Tapete

## Instrucciones:

1. Encienda su máquina.
2. Coloque el bolígrafo en el portaherramientas izquierdo de forma segura.
3. Coloque la cartulina sobre el tapete, asegurándose de que esté alineada correctamente en la esquina superior izquierda del tapete.
4. Cargue el tapete en la máquina.
5. Toque el botón de configuración en la pantalla LCD de la máquina y seleccione la opción "Cámara".
6. En la configuración de la cámara, elija "Adjust" para ingresar a la pantalla de calibración.
7. Una vez en la pantalla de calibración, elija "Adj L" para comenzar el proceso de calibración del bolígrafo izquierdo.
8. La máquina dibujará automáticamente un símbolo "田" en la cartulina. Deje que la máquina termine el dibujo.
9. Una vez completado el dibujo, toque la posición central del símbolo + en la imagen capturada que se muestra en la pantalla. Ajuste su posición cerca del centro y confirme tocando "OK".
10. La máquina creará automáticamente una línea continua azul para que coincida con el símbolo + en la imagen capturada. Verifique la alineación y, cuando esté satisfecho, presione "GET" para guardar los parámetros de calibración.

## Guía de calibración de la cámara para el portaherramientas derecho

Antes de comenzar el calibrado, asegúrese de reunir los siguientes elementos:

- Bolígrafo y adaptador para bolígrafo (ambos incluidos con la máquina)
- Cartulina
- Tapete

### Instrucciones:

1. Encienda su máquina.
2. Tome el adaptador del bolígrafo y empújelo firmemente en él. Ahora, cargue el bolígrafo con el adaptador en el portaherramientas derecho de la máquina.
3. Coloque la cartulina sobre el tapete, asegurándose de que esté alineada correctamente en la esquina superior izquierda del tapete.
4. Presione el botón "Cargar tapete" para cargar el tapete en la máquina.
5. Toque el botón de configuración en la pantalla LCD de la máquina y seleccione la opción "Cámara".
6. En la configuración de la cámara, elija "Ajustar" para ingresar a la pantalla de calibración.
7. Una vez en la pantalla de calibración, elija "Adj L" para comenzar el proceso de calibración del bolígrafo derecho.
8. La máquina dibujará automáticamente un símbolo "田" en la cartulina. Deje que la máquina termine el dibujo.
9. Una vez completado el dibujo, toque la posición central del símbolo + en la imagen capturada que se muestra en la pantalla. Esto creará un + rojo cerca de la posición central del símbolo +. Confirme tocando "OK".
10. La máquina creará automáticamente una línea discontinua azul para que coincida con el símbolo + en la imagen capturada. Verifique la alineación y, cuando esté satisfecho, presione "GET" para guardar los parámetros de calibración.

## Accesorios y repuestos no originales

La garantía no cubre ningún desperfecto o avería ocasionado por el uso de accesorios o repuestos que no sean originales.

## PROPIEDAD INTELECTUAL

SINGER y el diseño del Cameo “S”, son marcas comerciales exclusivas de The Singer Company Limited S.à.r.l. o sus Afiliados. MOMENTO es una marca comercial exclusiva de Singer Sourcing Limited LLC o sus afiliados. © 2023 The Singer Company Limited S.à.r.l. o sus afiliadas. Todos los derechos reservados.

*Nos reservamos el derecho de cambiar el equipamiento de la máquina y el surtido de accesorios sin previo aviso, o realizar modificaciones en el funcionamiento o en el diseño. No obstante, dichas modificaciones siempre serán en beneficio del usuario y del producto.*



Recuerde que este producto se debe reciclar de modo seguro en cumplimiento de la legislación nacional pertinente relacionada con los productos eléctricos/electrónicos. No deseche los aparatos eléctricos como residuos urbanos sin clasificar, utilice los centros de recolección selectiva. Para obtener información sobre los sistemas de recolección disponibles, póngase en contacto con su ayuntamiento. Cuando sustituya aparatos antiguos por otros nuevos, el distribuidor podría estar obligado por ley a recoger gratuitamente su aparato viejo. Si se desechan los aparatos eléctricos en un vertedero pueden producirse fugas de sustancias peligrosas en el terreno y llegar a la cadena alimentaria, dañando la salud y bienestar.



FR

Cet appareil,  
ses accessoires  
et piles  
se recyclent

À DÉPOSER  
EN MAGASIN



OU

À DÉPOSER  
EN DECHETERIE



FR



Points de collecte sur [www.quefairedemesdechets.fr](http://www.quefairedemesdechets.fr)  
Privilégiez la réparation ou le don de votre appareil !

## FABRICANTE

VSM Group AB, SVP WORLDWIDE

Soldatorpsgatan 3, SE-55474 Jönköping, SWEDEN



**SINGER**<sup>®</sup>

| momento