



## Sapphire™

### 3D Flower Pillow

#### APPROXIMATE SIZE

19¾" x 19¾" (50 x 50 cm)

#### SEWING SUPPLIES

7 assorted cotton fabrics

1 fabric for the back and the piping

4 large covered buttons

7 small covered buttons

Thread – 1 color

INSPIRA® Fusible Fleece 320003996

INSPIRA® Fuse N' Tear Stabilizer 620114796

#### HUSQVARNA VIKING® ACCESSORIES

Clear Invisible Zipper Foot 413286545

Circular Attachment 920344096

Mega Piping foot 413195145

Pictogram Pen 412083848

#### CUT

9 squares 10" x 10" (25 x 25 cm) in different cotton fabrics – circle fronts

9 squares 10" x 10" (25 x 25 cm) in main colour – circle backs

2 back side pieces 13⅜" x 20½" (34 x 52 cm)

1 stripe for the piping in cotton fabric cut on the bias or crosswise grain – 82¾" x 1¾" (210 x 4.5 cm)

1 cord for the piping - thickness ¼" (6 mm)

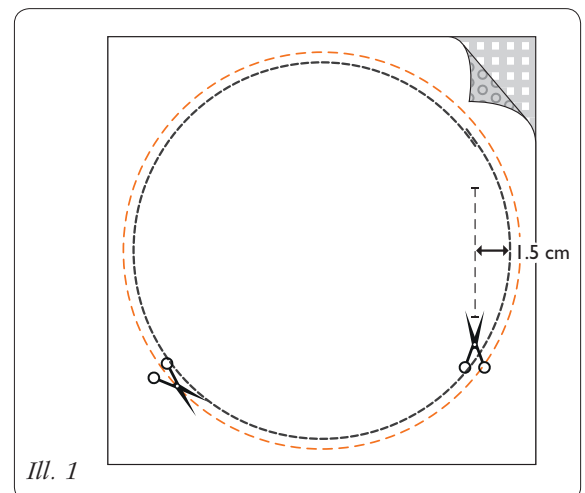
#### SEW THE CIRCLES

Press the fusible fleece to the wrong side of the "circle backs" squares. Mark the circle (22 cm) and the center with the "circle" template (#1) on the wrong side of the top fabric. Put one piece with batting and one piece of top fabric right sides together and pin.

Fasten the Circular Attachment to the stitch plate and set the diameter to 22 (8⅝"/22 cm).

Sew nine circles using a straight stitch.

To turn the circles right side out - cut a slot only in the top fabric approximately ⅝" (1.5 cm) from the edge (Ill. 1). Trim seam allowance, turn right side out and press.



Ill. 1

## SEW THE CIRCLES TOGETHER

The pillow consists of three rows of circles. Decide which circles you want in which row and sew them together as described below.

Put two circles wrong sides together. Mark the intended sewing line with a pictogram pen  $1\frac{1}{4}$ " (3 cm) from the edge (Ill. 2). Sew the circles together using a straight stitch. Press the seam allowance open (Ill. 3). Repeat to add the third circle.

*Tip: When sewing the circles together, place the opening in the circles toward the edges of the pillow (when finishing the pillow the openings will be cut off).*

Stitch the "flower petals" to the bottom fabric by setting a three-step zigzag to stitch length 0. Sew four times and fix (Ill. 4).

*Tip: You can also use the Sew-on-Button program to fasten the "flower petals".*

Make two more rows of circles and stitch them together in the same way as described above, to create a quadrant.

## ASSEMBLE THE PILLOW

### Front Piece

For an easier assembly of the pillow, make the front piece even at the edges. Use the pictogram pen to draw a line where to cut (Ill. 5), then trim excess fabric away.

*Tip: To enhance the feeling of a flower sew a button to the center of each flower.*

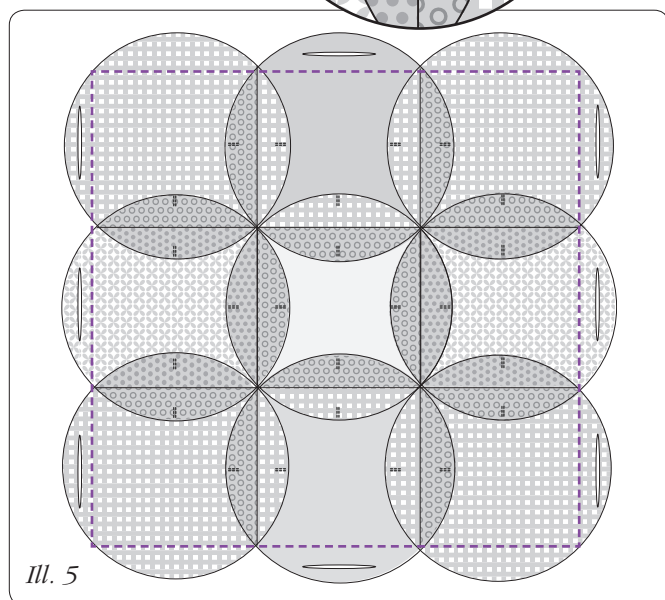
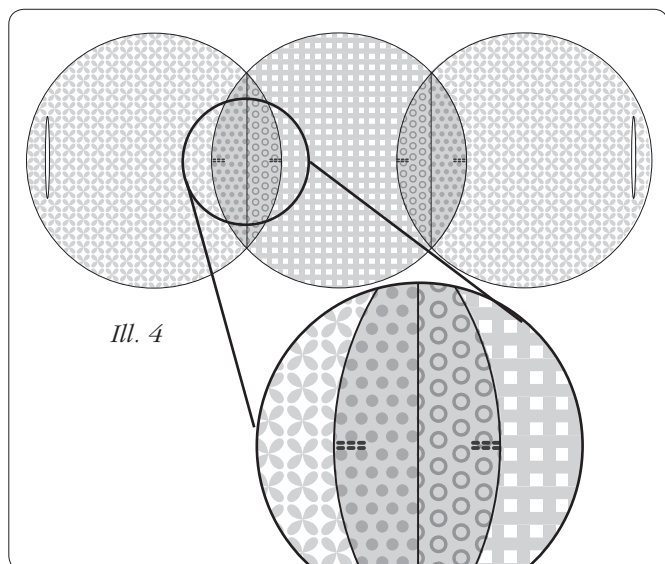
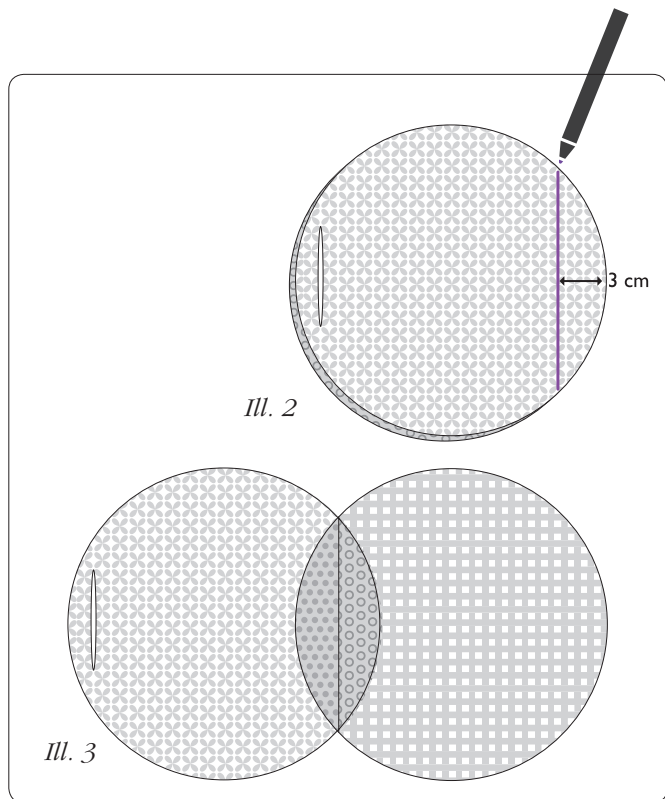
### Back Pieces

Take the back fabric pieces. Press  $4\frac{3}{4}$ " (12 cm) fusible stabilizer to the wrong side of fabric along one of the long sides of each piece.

Press and fold a hem  $2\frac{1}{4}$ " (6 cm). Use the pictogram pen to mark the fabric for buttonhole and button placement.

Attach the Sensor Buttonhole foot and sew the buttonholes of your choice. Cut the buttonholes open. Stitch the buttons to the corresponding place on the other back piece.

Button the two pieces together.

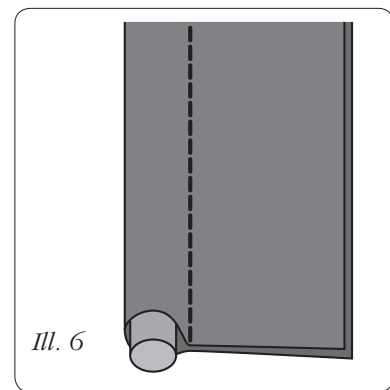


### *Make the Piping*

To add an exclusive finish to your pillow, make your own piping using the fabric you want and the Mega Piping Foot.

Take your piping fabric strip, and place it wrong side up. Put the cording on top and wrap the fabric around it.

Snap on the Mega Piping Foot to the right side of the needle. Place the fabric and the cord under the Mega Piping Foot with the cord to the left of the foot. Select Straight Stitch and adjust the stitch position to -2.0. Sew (Ill. 6).

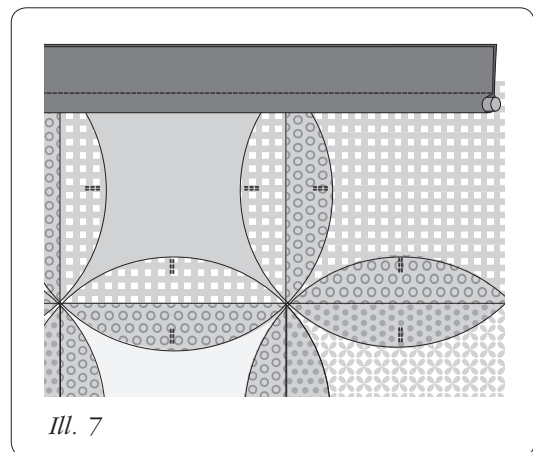


### *Insert the Piping*

Place the front piece of the pillow right side up. Place the piping along the seam line on the right side of the fabric (Ill. 7). Adjust the stitch position to -2.5 and stitch in place with the piping to the left of the foot.

*Tip: When sewing the piping into a project, adjust the stitch position so the seam is stitched even closer to the cord to cover the first stitching.*

Place the back piece on top, right sides together with the front piece. Select straight stitch with left needle position. Sew the pieces together with the cord to the left of the Mega Piping Foot (Ill. 8).



*Tip: Notch the seam allowance of the piping on corners to reduce bulk and make the seam lay flat.*

Turn the pillow inside out and press. Enjoy the result!

*Find more information on how to use our accessories at [www.busqvarnaviking.com](http://www.busqvarnaviking.com).*

